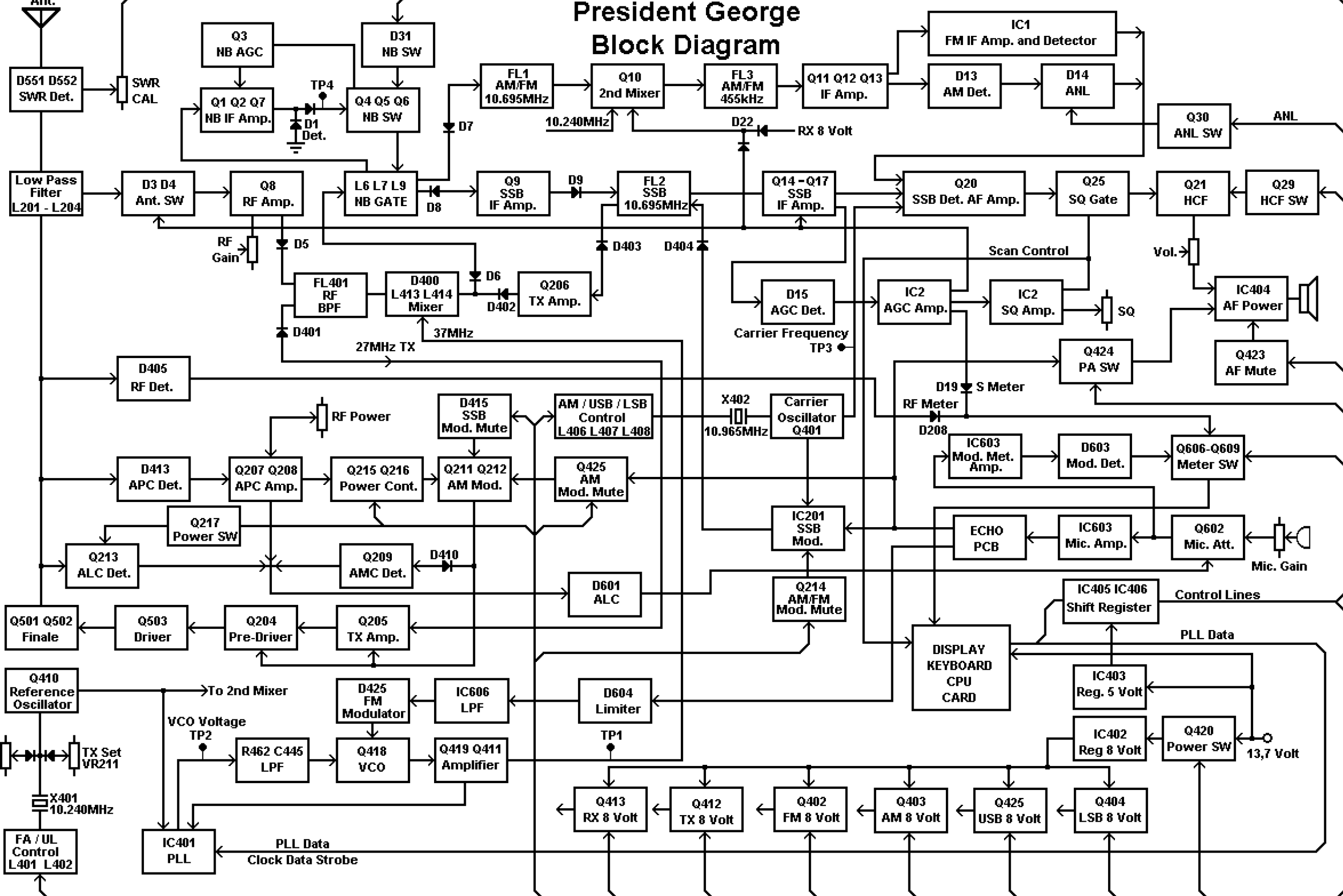
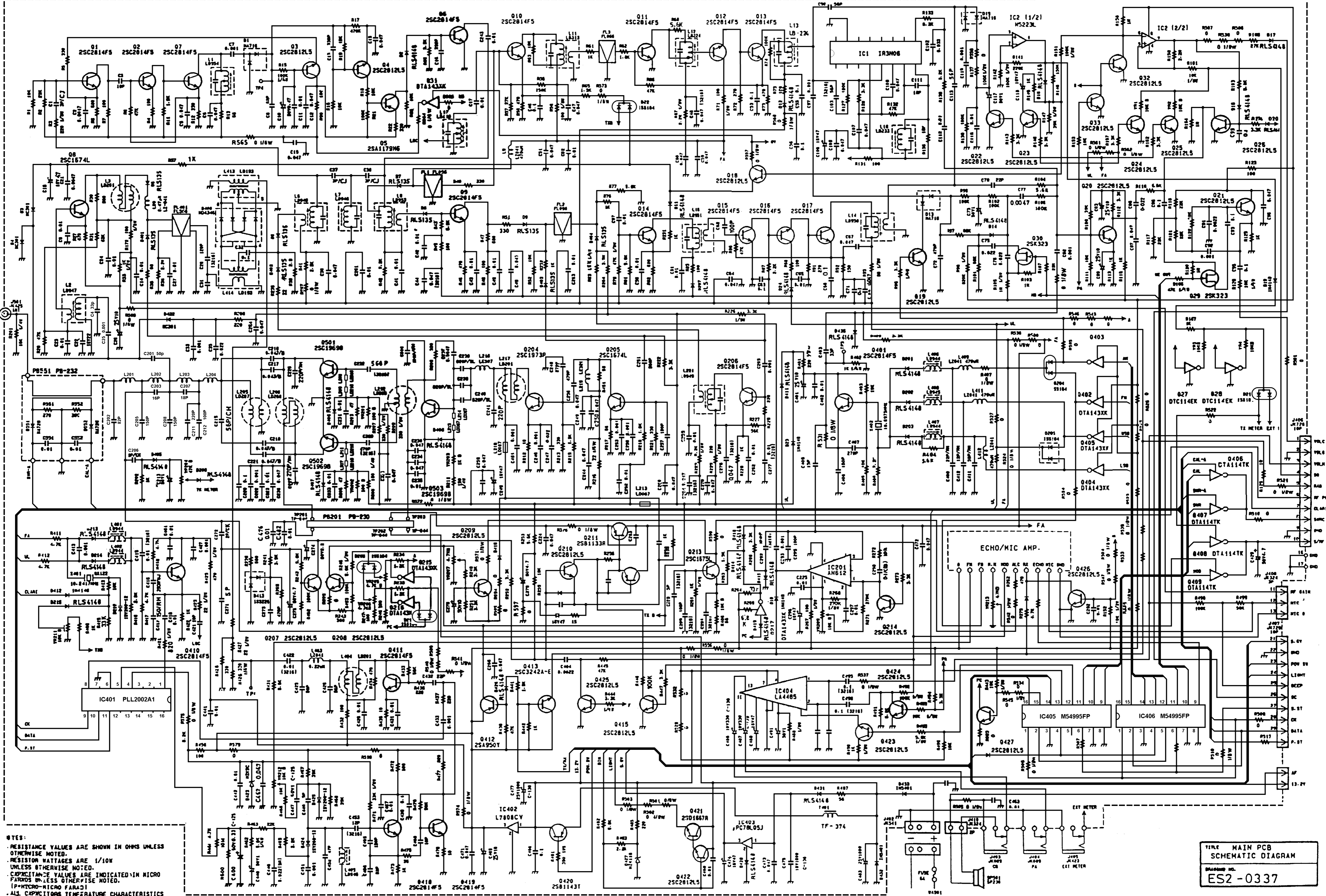


President George Block Diagram

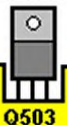




NOTES:
 RESISTANCE VALUES ARE SHOWN IN OHMS UNLESS OTHERWISE NOTED.
 RESISTOR WATTAGES ARE 1/10W UNLESS OTHERWISE NOTED.
 CAPACITANCE VALUES ARE INDICATED IN MICRO FARADS UNLESS OTHERWISE NOTED.
 (P=PICTO-MICRO FARAD)
 ALL CAPACITORS TEMPERATURE CHARACTERISTICS ARE CG (LESS THAN 1000 PF) OR B (MORE THAN 1000 PF) UNLESS OTHERWISE NOTED

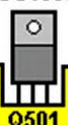
TITLE MAIN PCB
 SCHEMATIC DIAGRAM
 DRAWING NO. ES2-0337

DRIVER
2SC1969



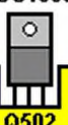
Q503

PUSH-PULL OUTPUT
2SC1969



Q501

PUSH-PULL OUTPUT
2SC1969



Q502



VR202



L216



L217



Q211



VR203



VR201



VR204

RF METER



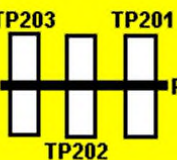
VR208

SSB MOD

IC404
LA4485



L219



PB201

TP202



VR207

AM MOD



VR205

AM POWER FM POWER



VR206



VR3

S-METER SSB



VR4

S-METER AM



VR210

LOW POWER



L413



FL401

Don't ADJUST



L3



Q8



L2

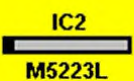


VR1

SSB SQ AM SQ



VR2



IC2

M5223L



L414



L221

NB IF



L6



L7



L8

IF IF IF



FL1



FL2



L15

SSB IF



L14

SSB IF

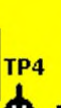


TP1



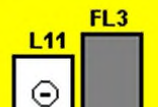
L1

SSB



L11

AM/FM IF



FL3



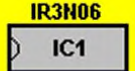
L12

AM/FM IF



L13

AM/FM IF



IC1

IR3N06



L16

Discriminator

ECCO PCB

ECCO ADJUST



L404

CARRIER LEAKAGE



VR209



IC201

AN612



VR213

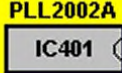
MOD. METER

VR601

IC402
7808



L405



IC401

PLL2002A

LSB

AM



VR212

FM DEV.



VR211

USB



L406

AM



L408

USB



L407

LSB

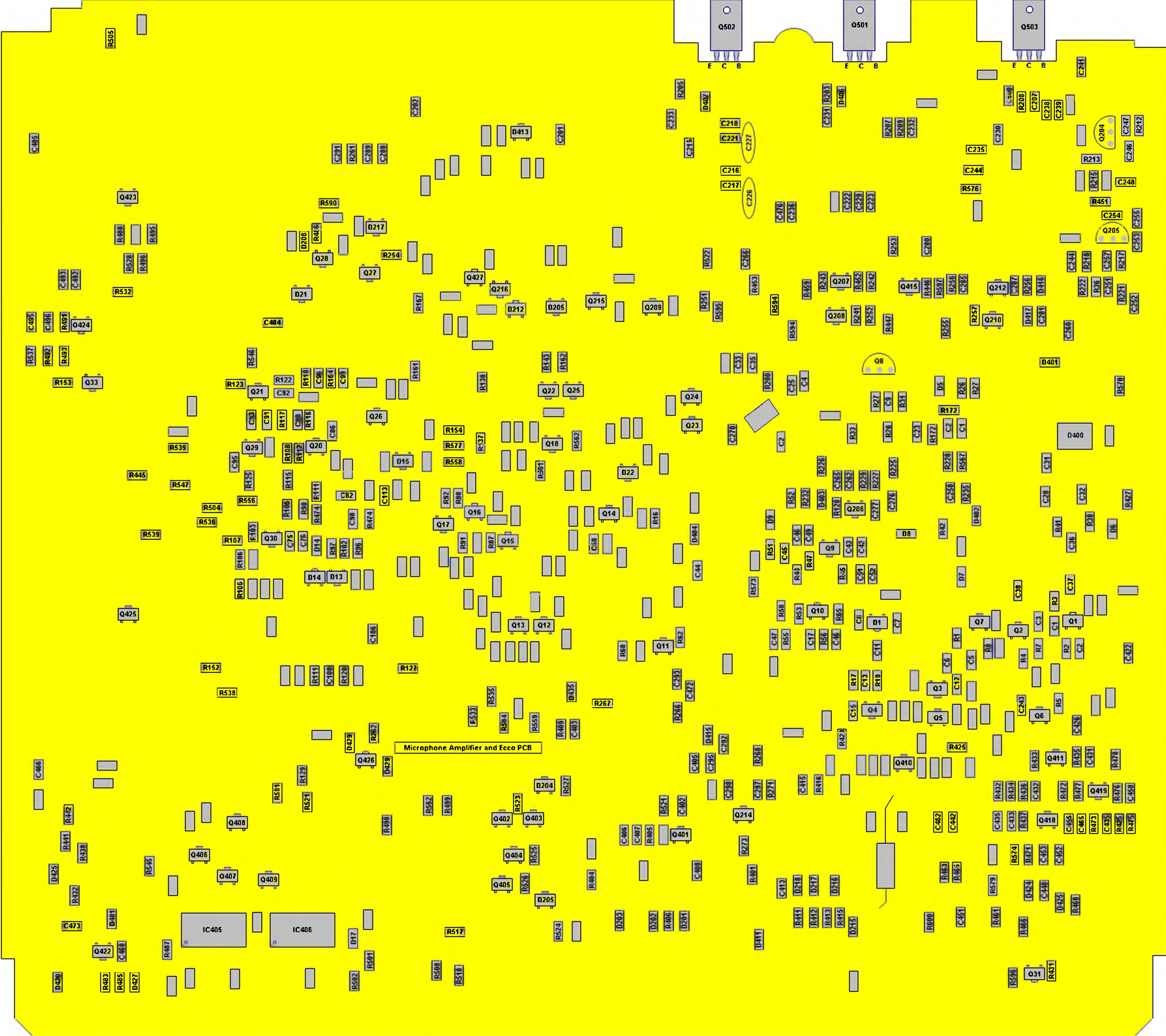


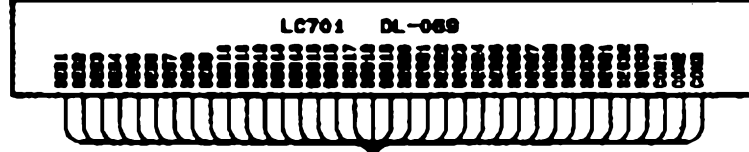
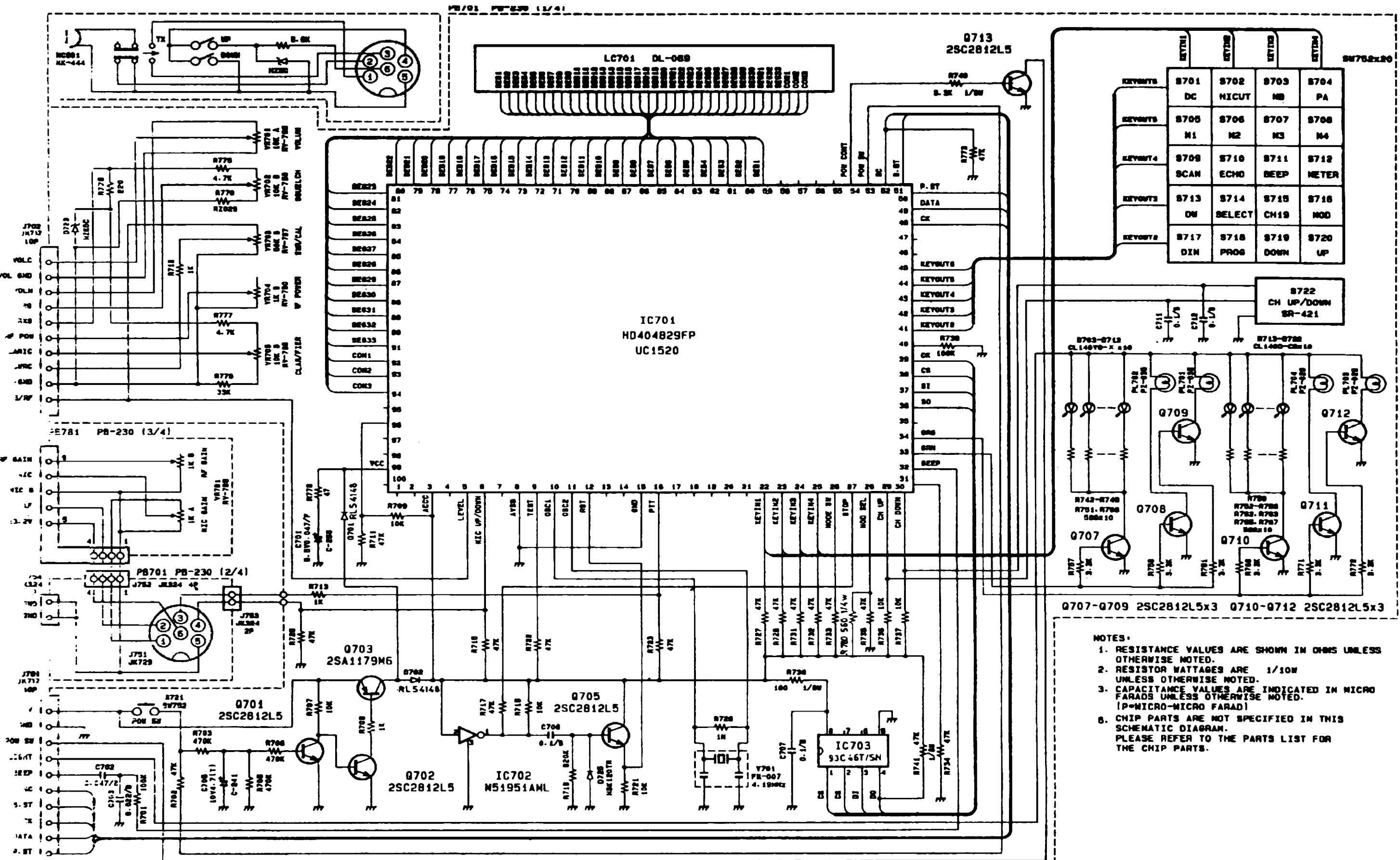
Q421

IC403
7805

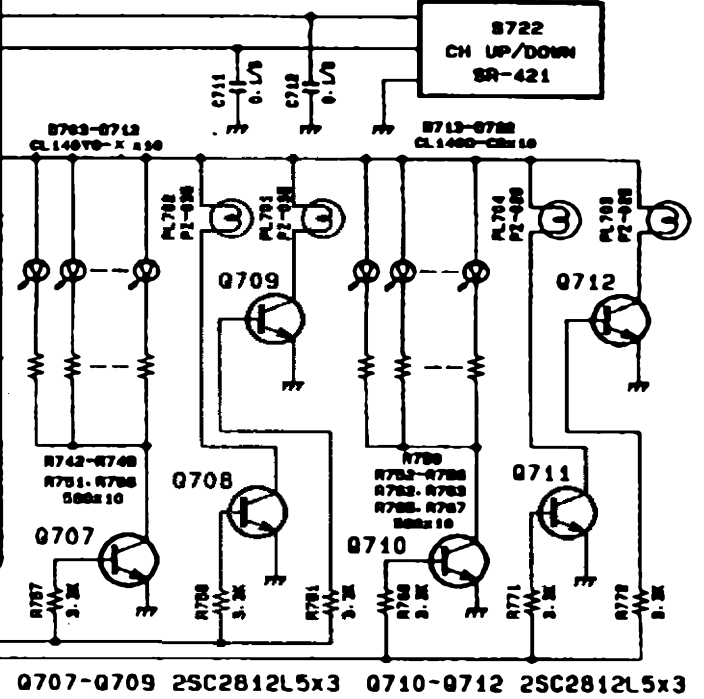
ASQ Automatic
Squelch
Control
A world wide patent from ICOM



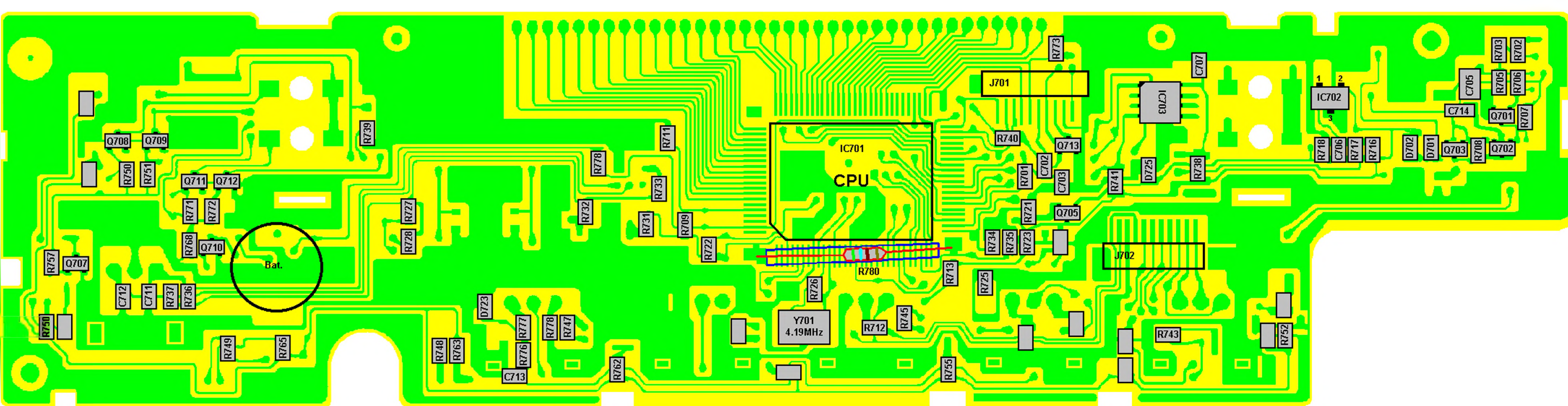


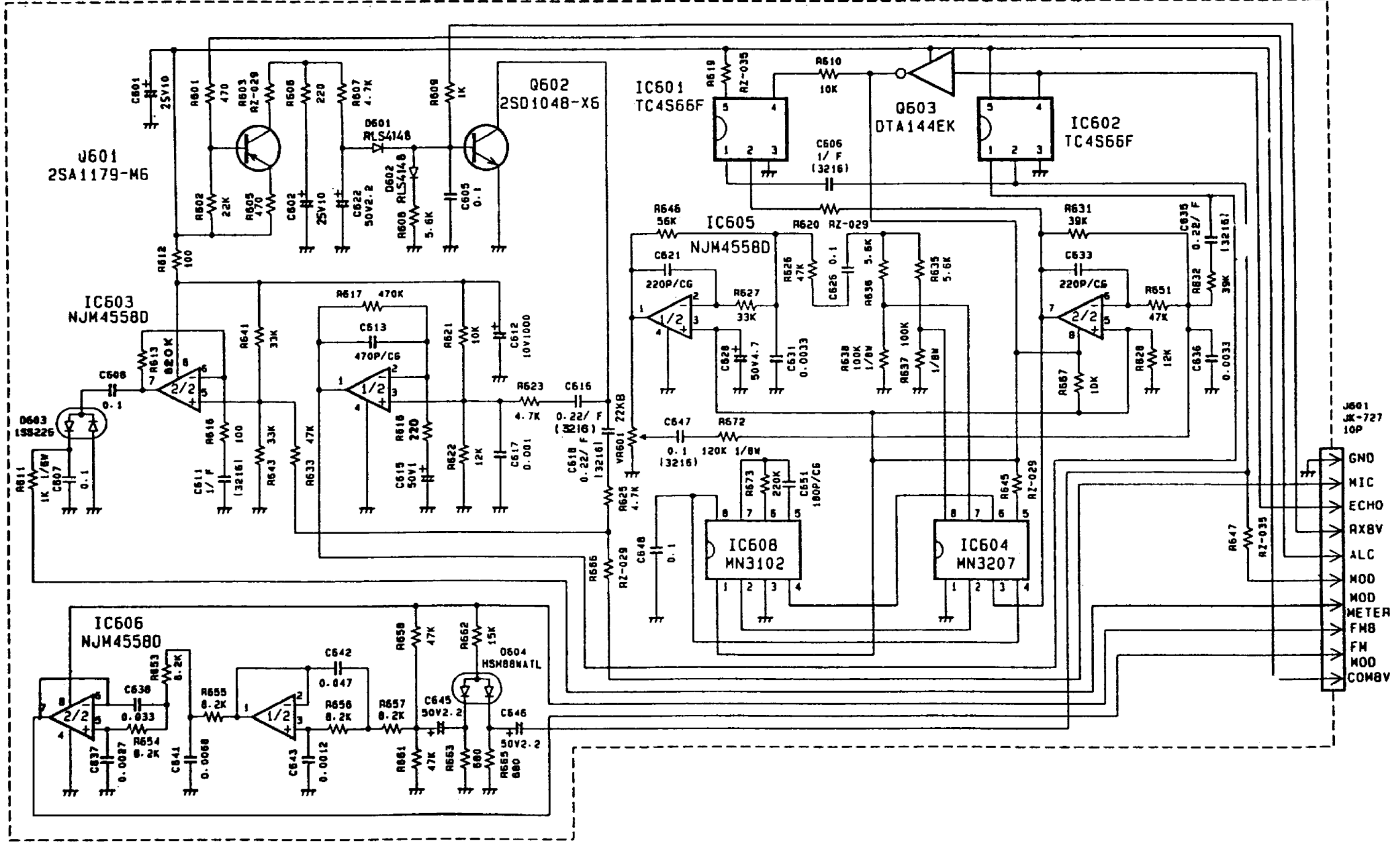


KEYIN1	KEYIN2	KEYIN3	KEYIN4
KEYOUT5	B701 DC	B702 NICUT	B703 MB
KEYOUT5	B704 PA	B705 M1	B706 M2
KEYOUT5	B707 M3	B708 M4	B709 SCAN
KEYOUT5	B710 ECHO	B711 BEEP	B712 METER
KEYOUT5	B713 ON	B714 SELECT	B715 CH19
KEYOUT5	B716 MOD	B717 DIM	B718 PROG
KEYOUT5	B719 DOWN	B720 UP	



- NOTES:
1. RESISTANCE VALUES ARE SHOWN IN OHMS UNLESS OTHERWISE NOTED.
 2. RESISTOR WATTAGES ARE 1/10W UNLESS OTHERWISE NOTED.
 3. CAPACITANCE VALUES ARE INDICATED IN MICRO FARADS UNLESS OTHERWISE NOTED. [P=MICRO-MICRO FARAD]
 4. CHIP PARTS ARE NOT SPECIFIED IN THIS SCHEMATIC DIAGRAM. PLEASE REFER TO THE PARTS LIST FOR THE CHIP PARTS.





- J601
- 1K-727
- 10P
- GND
- NIC
- ECHO
- RX8V
- ALC
- MOD
- MOD METER
- FM8
- FM
- MOD
- COM8V

