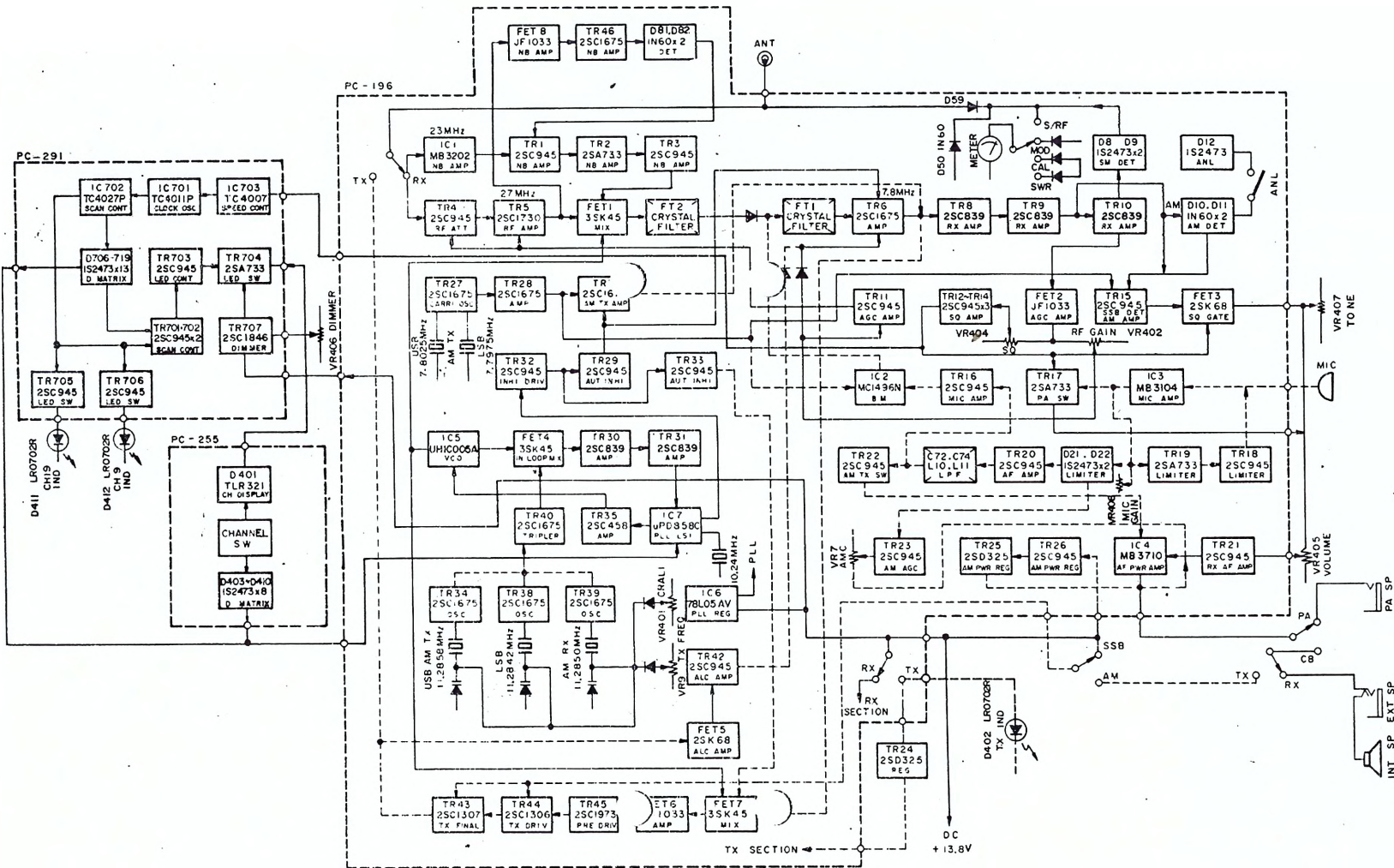


BLOCK DIAGRAM FOR ADAMS



CIRCUIT DIAGRAM FOR ADAMS

