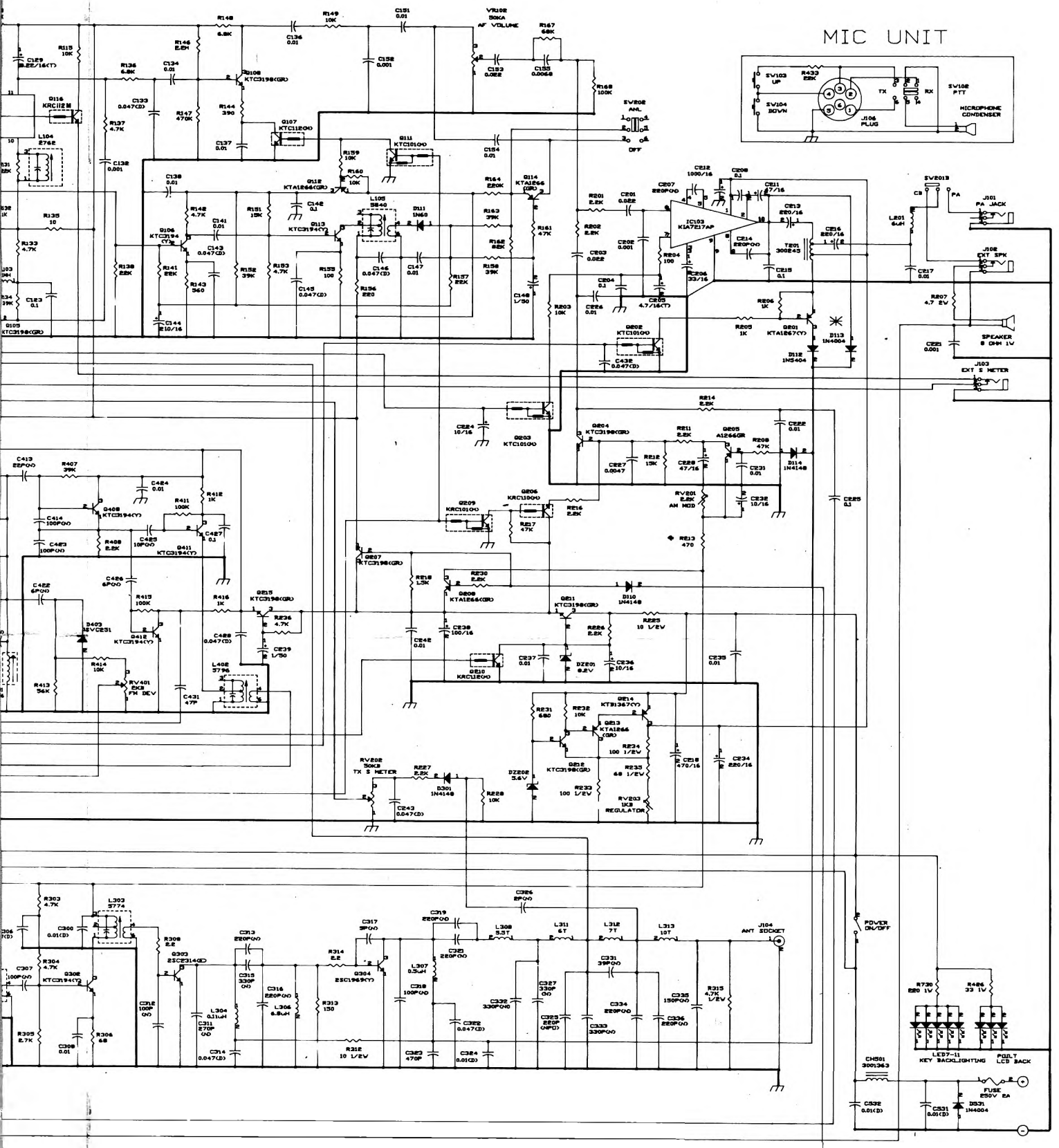
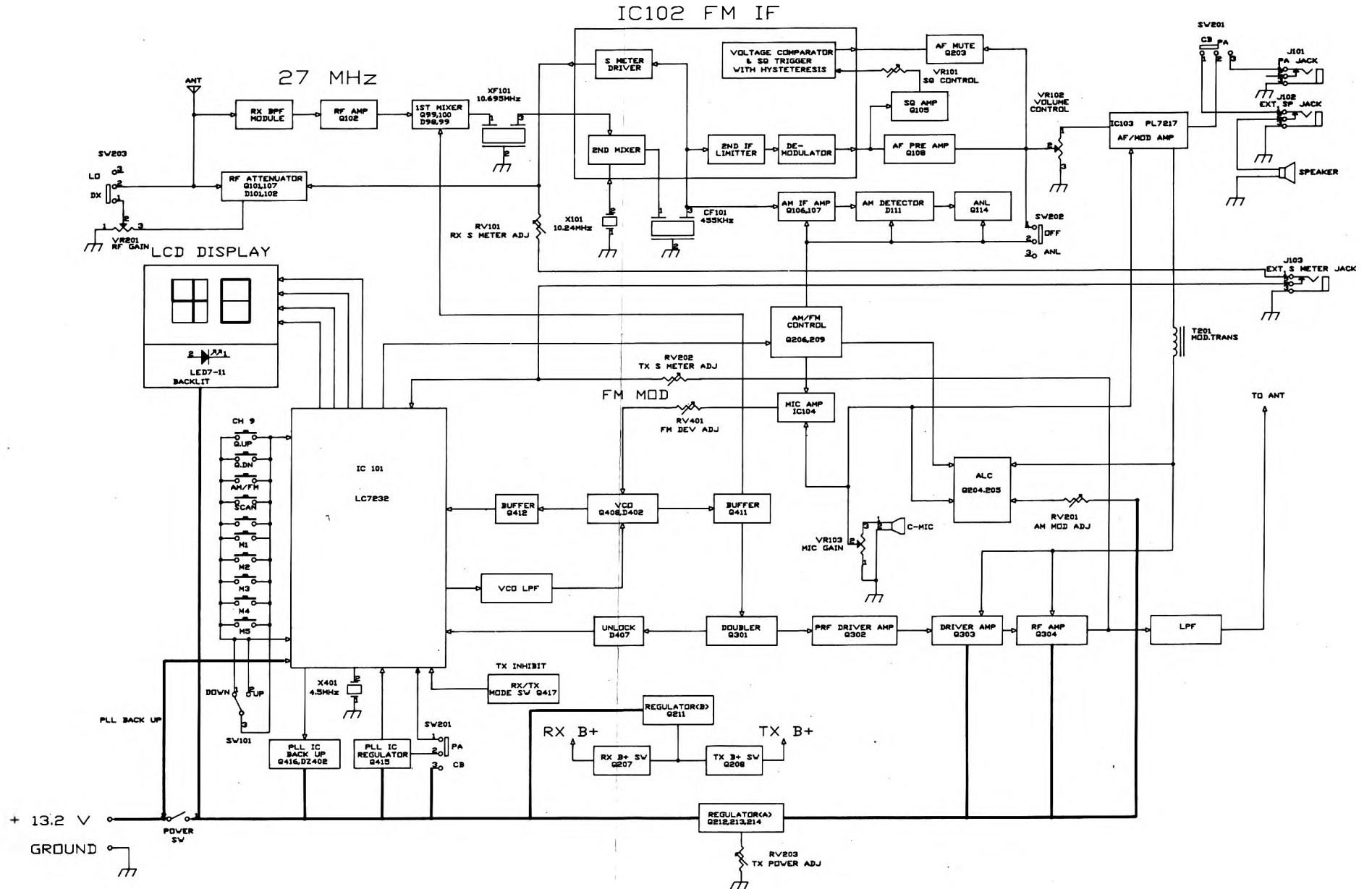


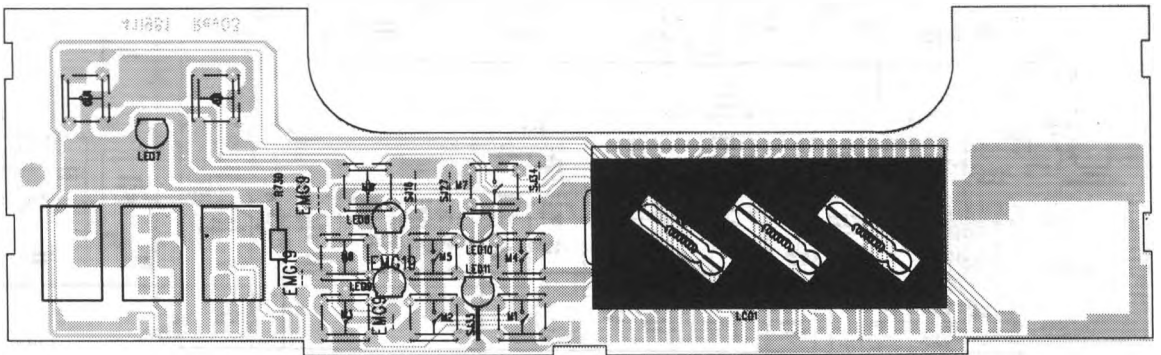
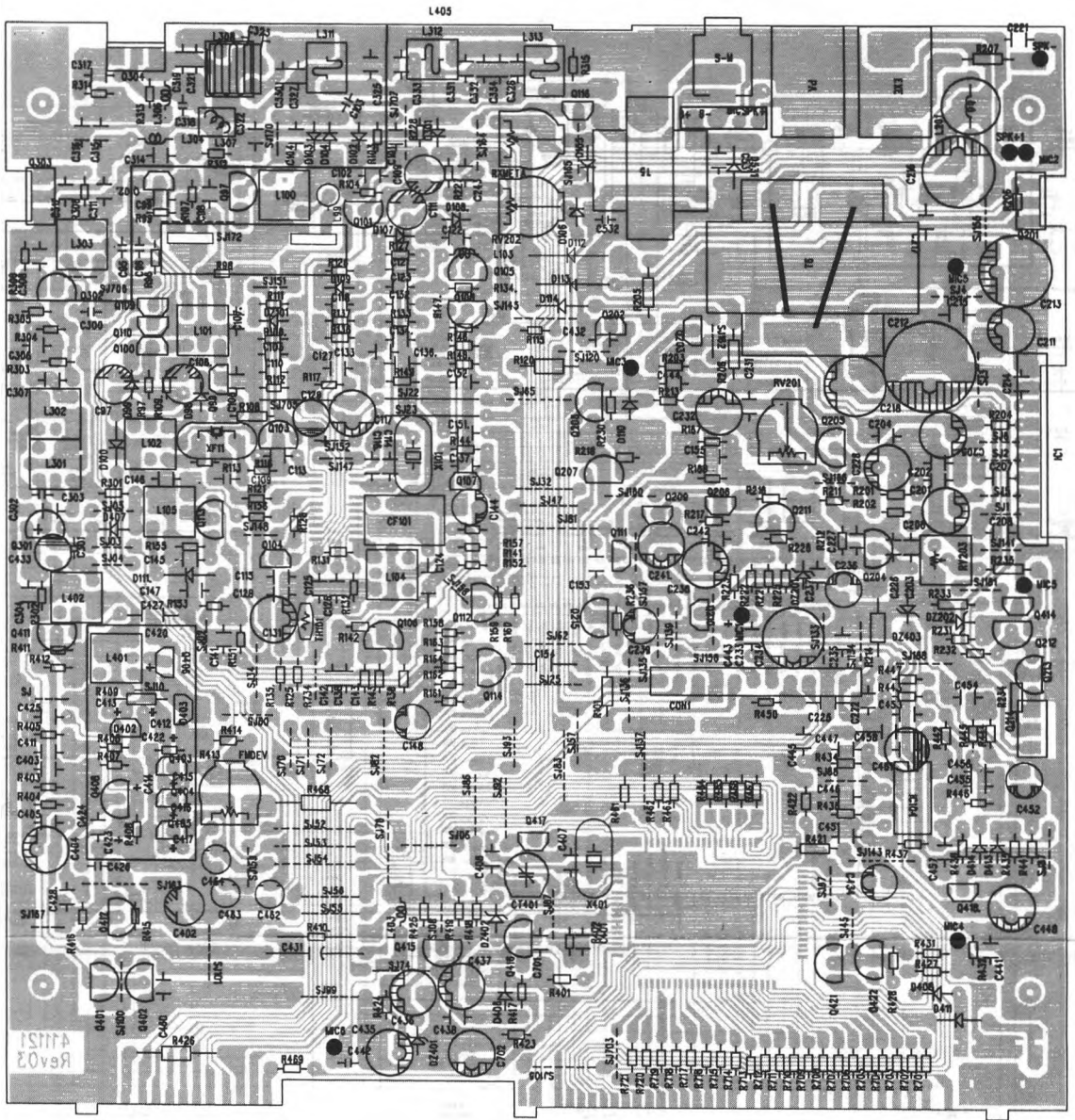
ALAN 48 PLUS



SCHEMATIC DIAGRAM

BLOCK DIAGRAM





PCB LAYOUT