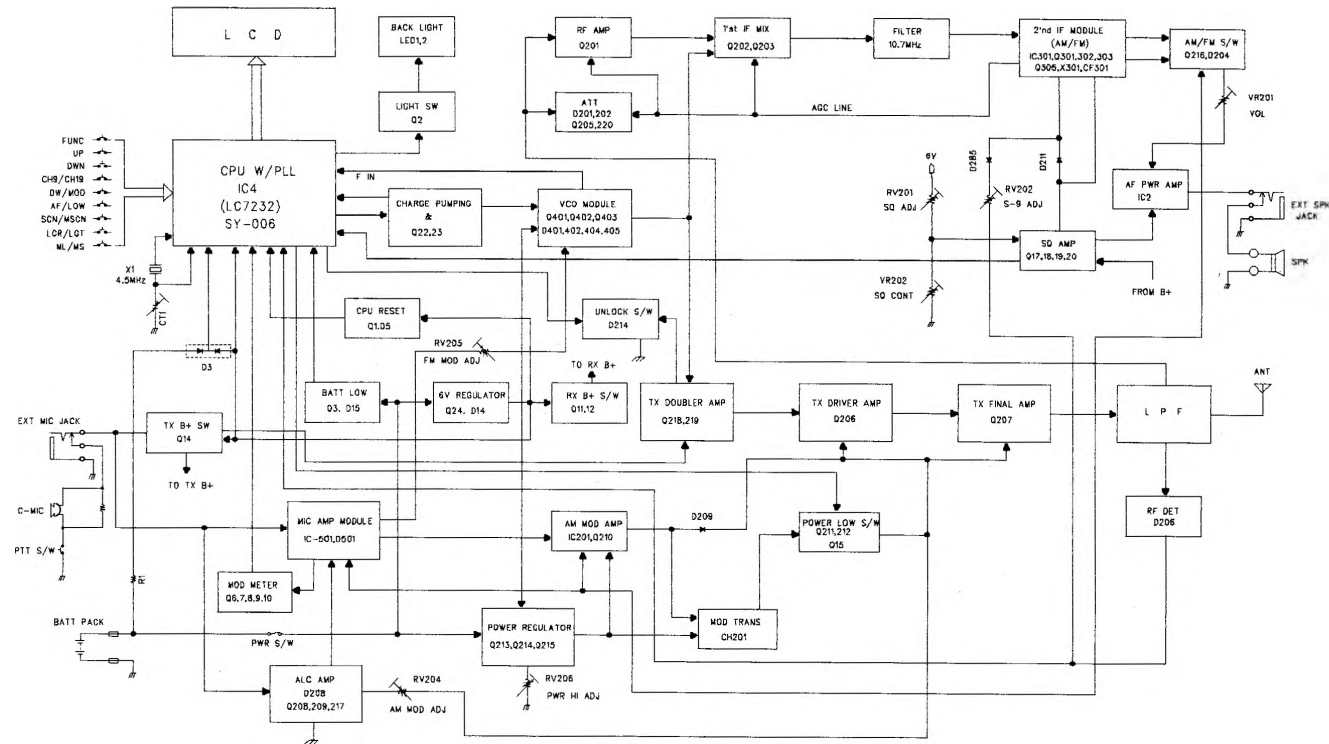
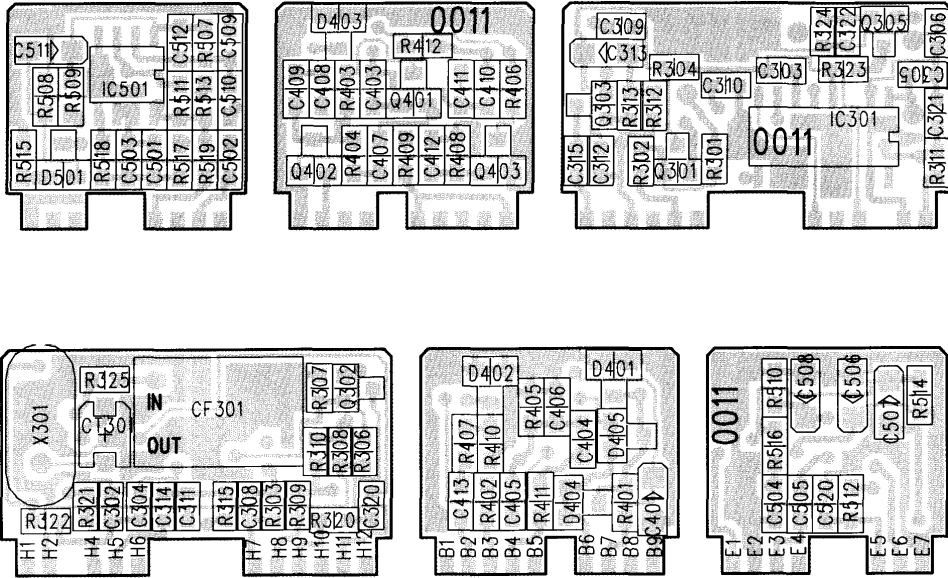


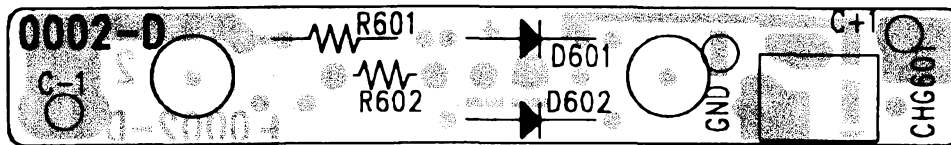
FUNCTIONAL BLOCK DIAGRAM



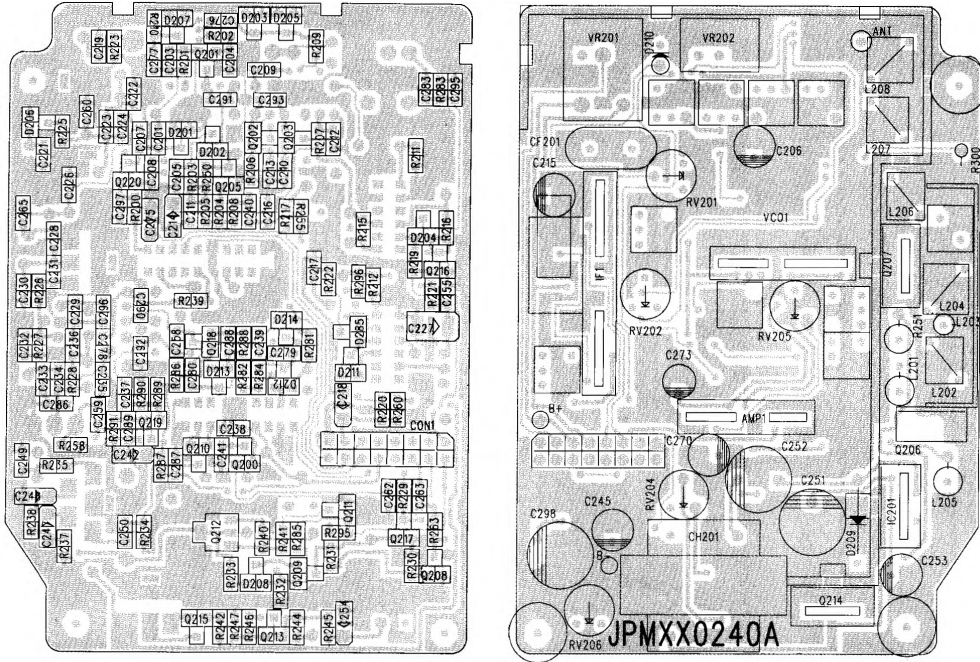
MODULE PCB



BATTERY PCB



MAIN PCB



FRONT PCB

