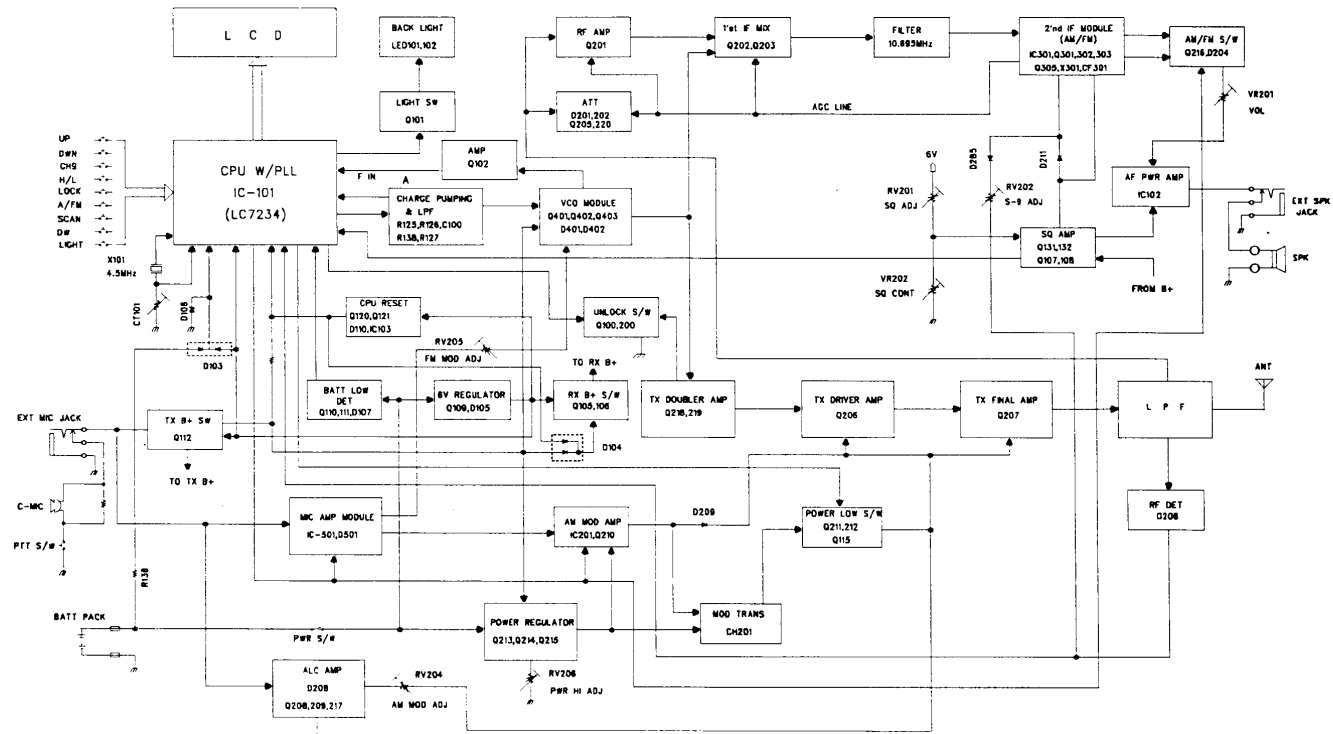
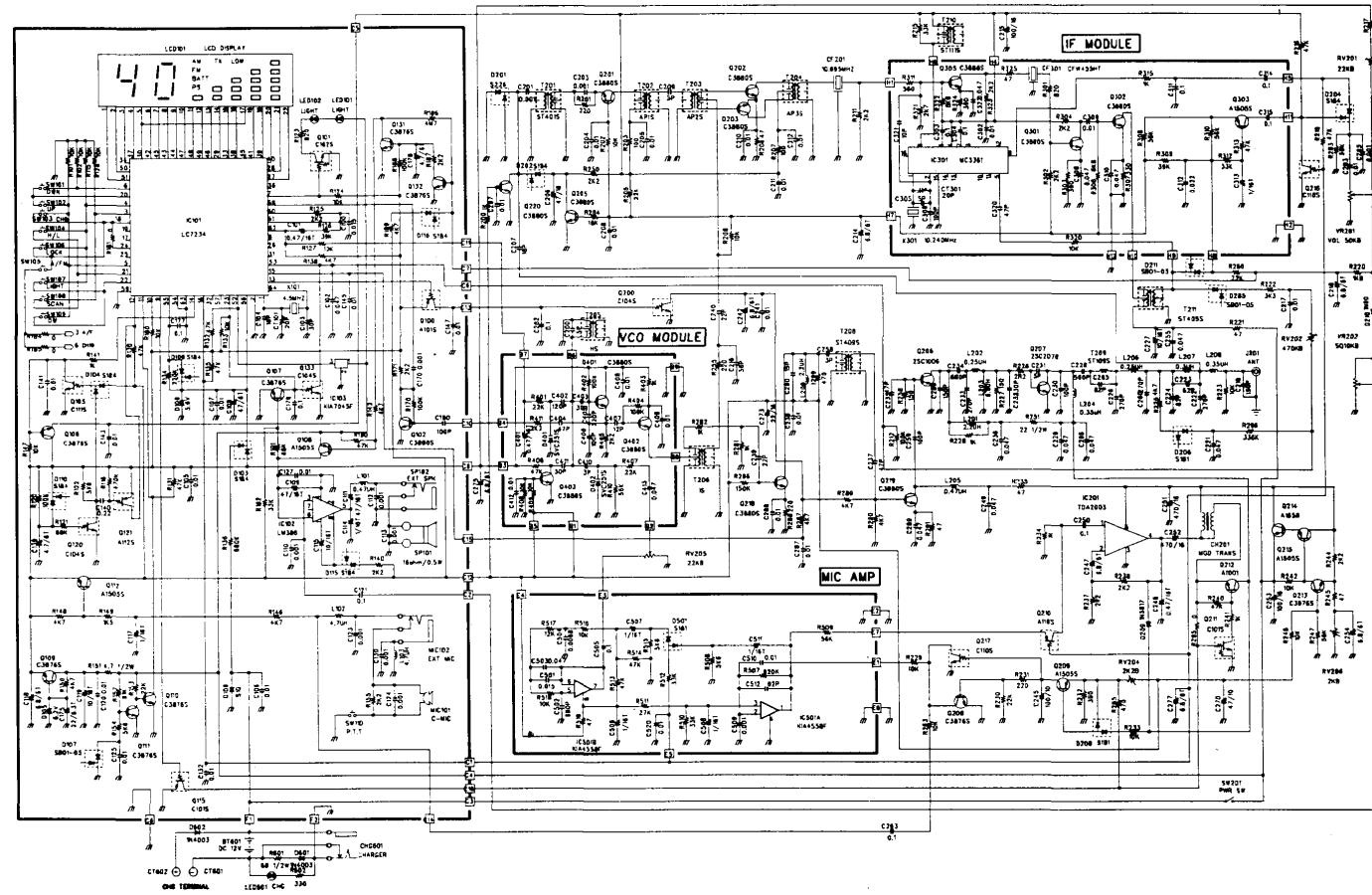


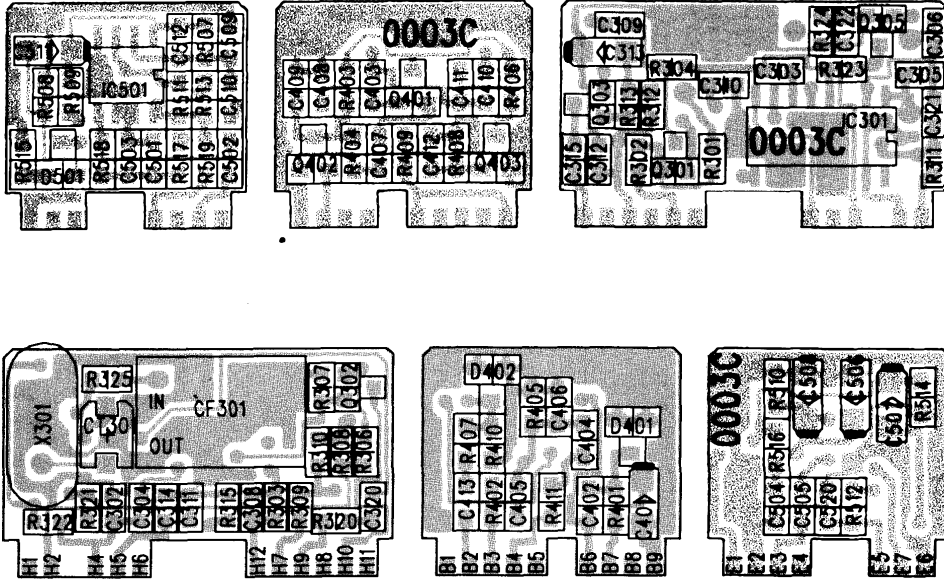
FUNCTIONAL BLOCK DIAGRAM



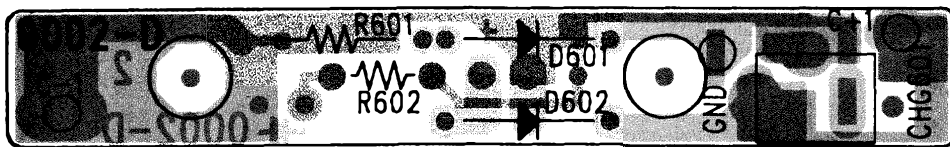
SCHEMATIC DIAGRAM



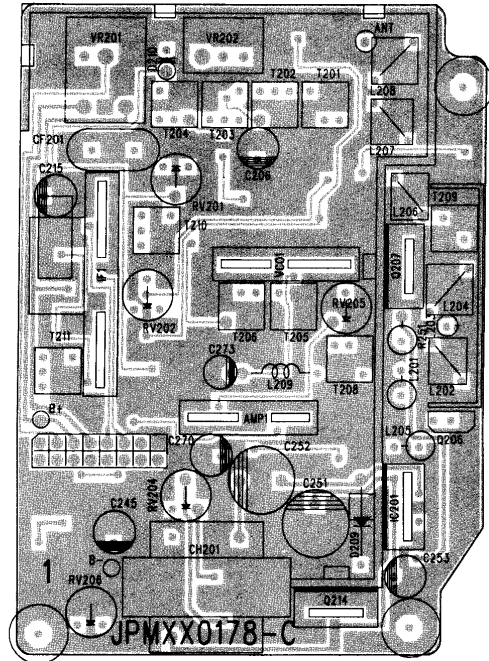
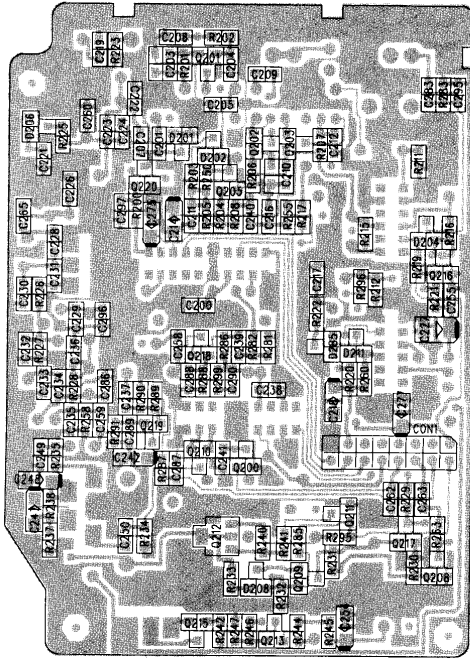
MODULE PCB



BATTERY PCB



MAIN PCB



FRONT PCB

