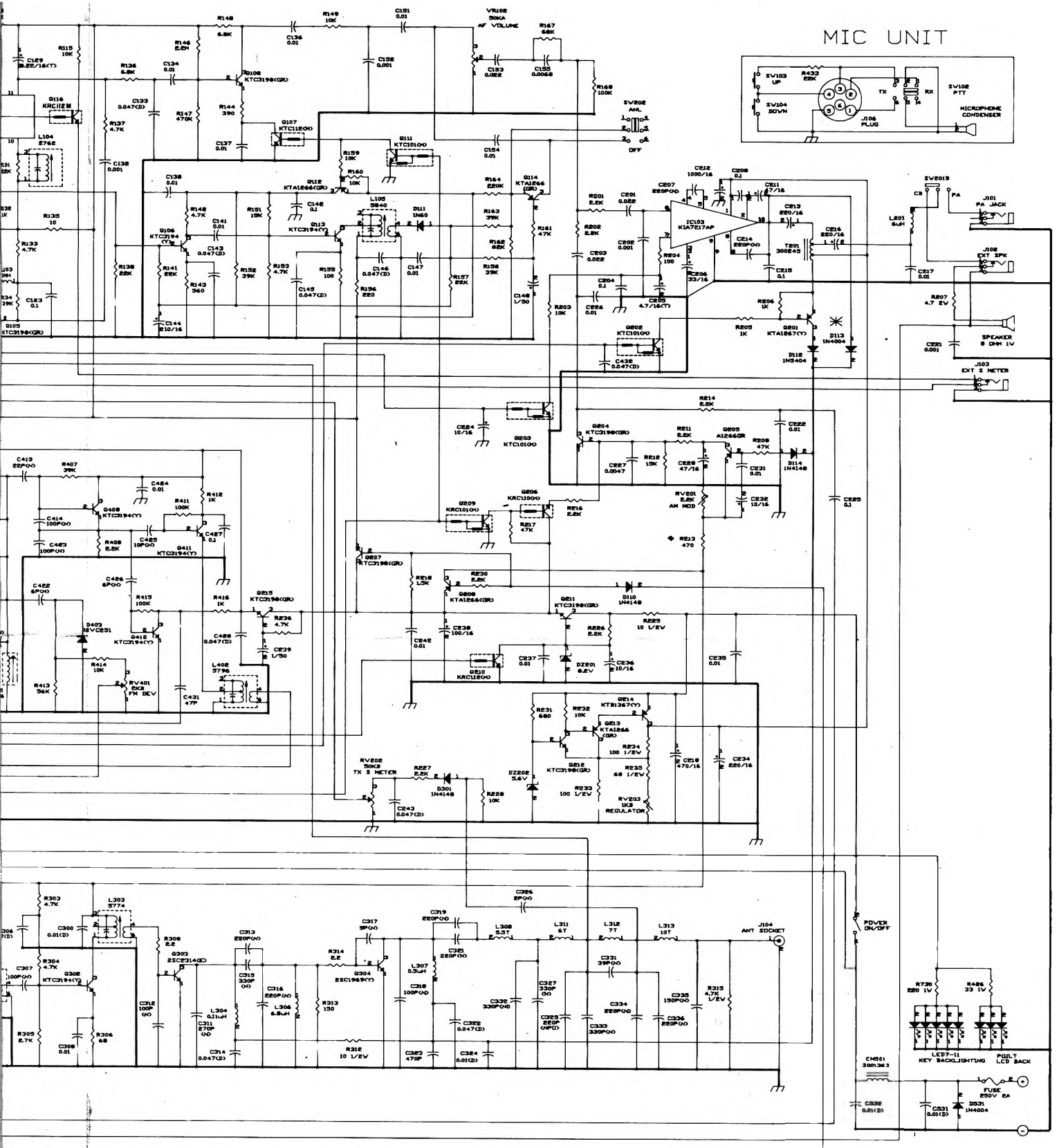
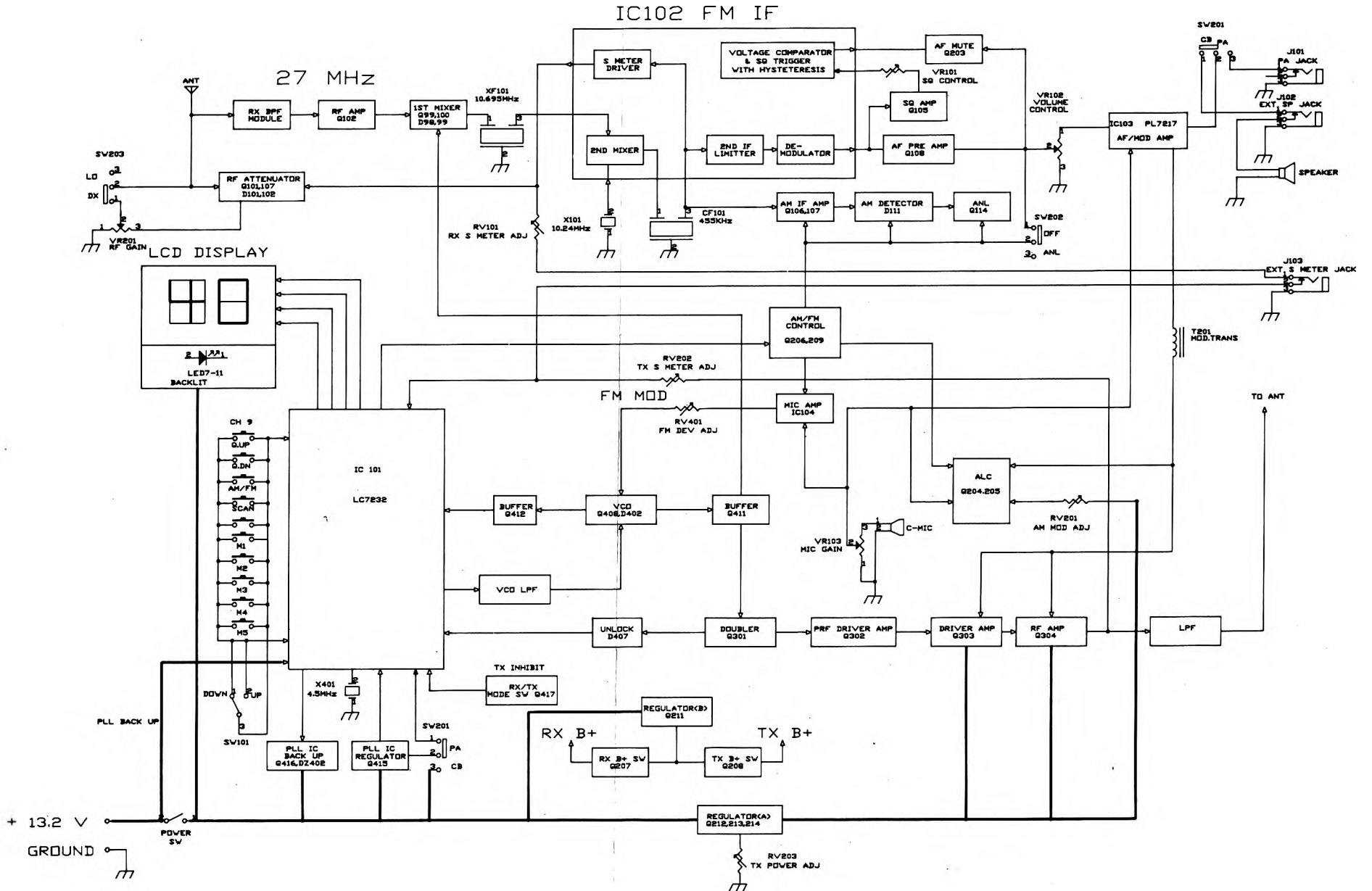


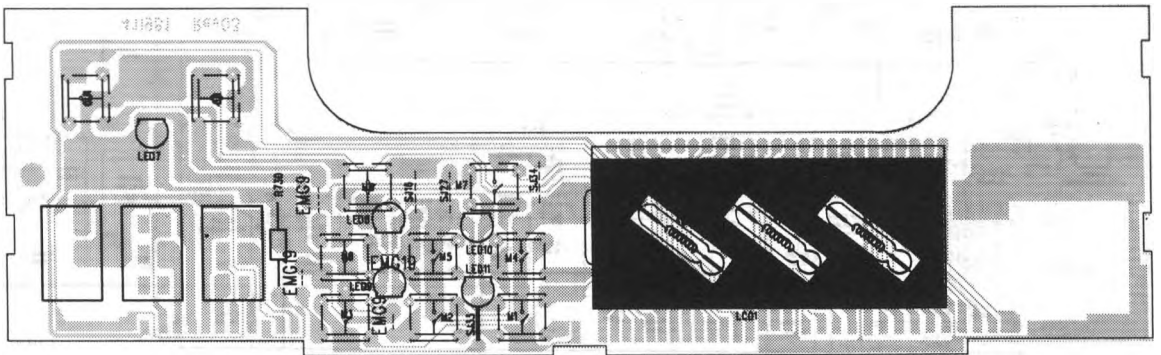
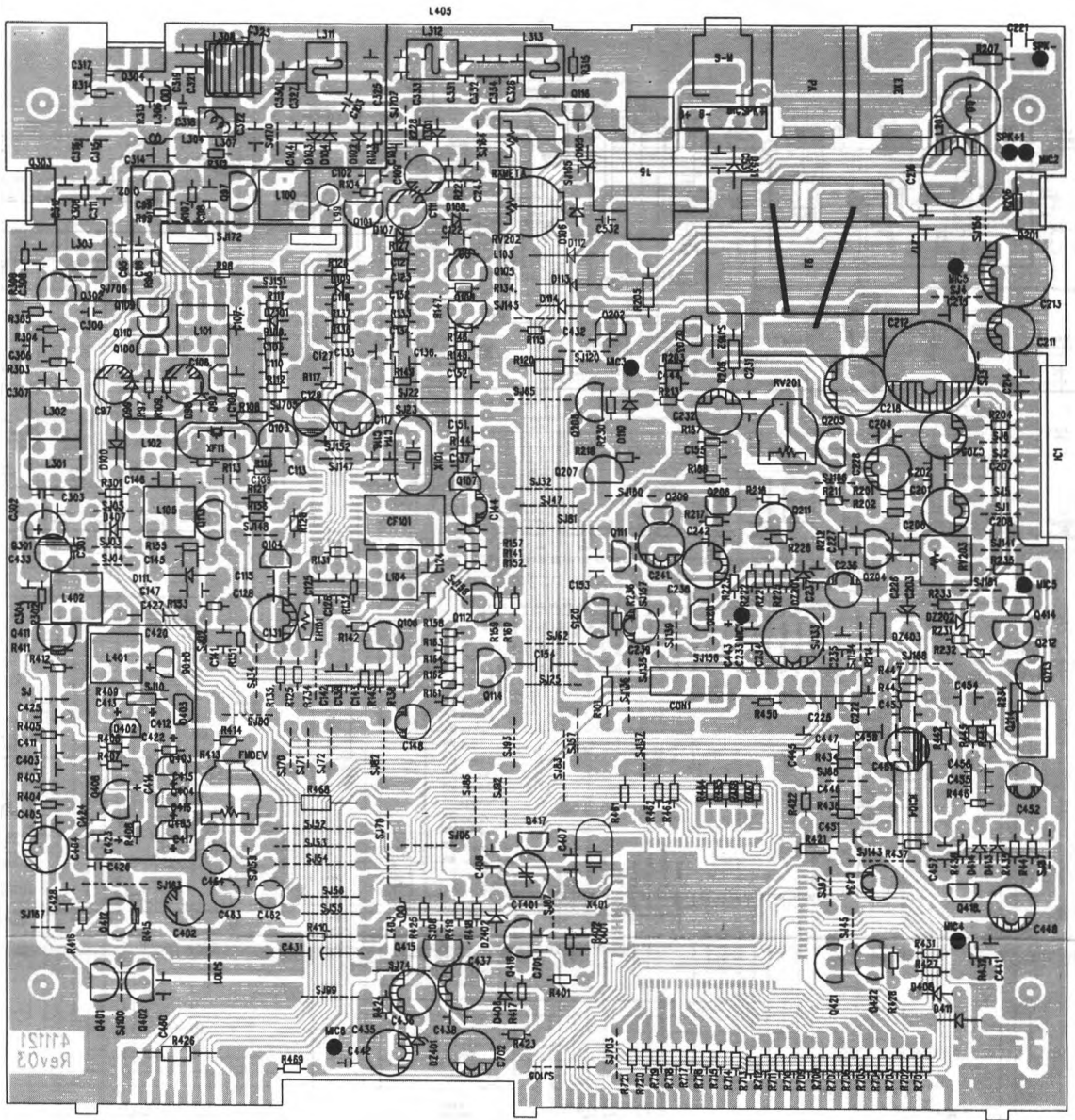
ALAN 48 PLUS



MIC UNIT

BLOCK DIAGRAM





PCB LAYOUT