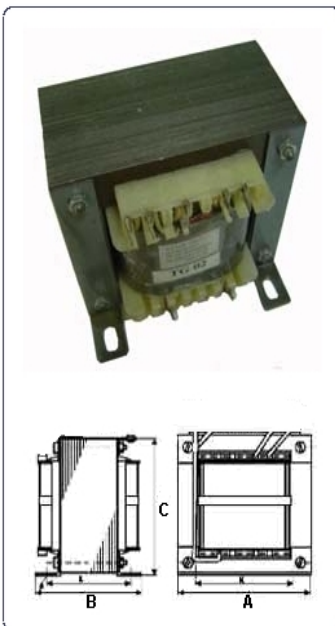


Symbol	Napięcia zasilania[V]	Typ rdzenia	Nr końcówek	Pasma przeniesienia F[kHz]	Imp. [oHm]	AxBxC [mm]	Cena [zł]
TGR10/50	100 [120]	EI48/16	1-3[1-4]	0.25...12.0	4		0,00
TGR100/66	100 [120]	EI102/34	11-12[11-13]	0.045...18.0	8		115,00
TGR10/56	100 [120]	EI60/20	1-3[1-5]	-	8		0,00
TGR12/40	30 [100,120]	EI60/20	6-8[6-9,6-10]	0.13...15.0	4		0,00
TGR2/69	100[120]	EI54/18	9-10[8-10]	0.05...9.0	4		0,00
TGR2/33	30	EI54/18	7-8,9-10	-	4		37,00
TGR2/32	100[120]	EI54/18	8-7[7-6]	0.05...9.0	4		36,50
TGR20/62	100[120]	EI48/16	1-3[1-4]	0.25...20.0	8		0,00
TGR20/63	100[120]	EI60/20	1-3[1-4]	0.1...10.0	4		0,00
TGR30/64	100[120]	EI84/28	1-2[1-4]	0.1...14.0	8		78,00
TGR10/34	100[120]	EI60/20	1-3[1-5]	-	15		0,00
TGR6/42	30[100,120]	EI54/18	2-4[1-3,1-4]	0.08...15.0	15		0,00
TGR5/58	30[100]	EI48/16	3-4[2-4]	0.25...5.0	15		30,50
TGR6/59	30[100,120]	EI54/18	2-4[1-3,1-4]	0.08...15.0	15		37,90
TGR6/68	30[100,120]	EI54/18	2-4[1-3,1-4]	0.08...15.0	8		33,00

Transformatory głośnikowe



Symbol	Moc [W]/przekładnia	Typ rdzenia	Ia[mA]	Pasma przeniesienia F[kHz]	Ra [koHm]	AxBxC [mm]	Cena[zł]
TG01[6L6]	10/16.9	EI84/28EP	90-120	0,03...20.0	2.3		137,50
TG02[2x6L6]	30/26.9	EI102/51	2x95-120	0,035...20.0	4.3		176,50
TG03[6H13C]	15/44.9/31.8	EI84/28ET	100	0,015...30.0	8		170,80
TG04[6C33C]	45/10.67	EI102/51Z	250	0,02...20.0	0.45		198,00
TG05[2xECL86]	17/31	EI84/42	2x46	0,04...15.0	7.7		177,30
TG06[2xECL34]	40/31	EI120/53.5	2x93	0,04...15.0	3.8		263,50
TG07[6V6]	5/45.1/32	EI84/28	35...48	0,05...15.0	8.2		155,00
TG08[2XEL84]	17/31.3	EI102/51EP	2x46	0,03...20.0	7.8		194,60
TG09[EL34]	8/19.3	EI84/28	70	0,05...15.0	3		156,00
TG1[2x6L6]	60/29.3/20.8	EI120/53	2x95...120	0,05...12.0	3.4		311,60
TG11[2XEL34]	30/43%	EI102/51EP	2x95...120	0,035...20.0	3.4		215,40
TG13[2XKT88]	30/40%	EI102/51	2x87	0,05...15.0	4.5		220,40
TG16[4XEL34]	100	EI120/73EP	2x200	0,05...20.0	1.7		360,60
TG20[EL34]	100	EI120/41	200...250	0,04...20.0			360,00
TG21[2XEL34]	30	EI120/51	2x95...120	0,035...20.0	3.4		251,50
TG23[2XEL34]	50	EI120/41/1	2x95...120	0,02...20.0	6.6		325,00
TG24[2X6V6]	14	EI84.28	70	0,05...15.0	8		160,00

Transformatory głośnikowe.

Transformatory głośnikowe dostępne na stronie: <http://www.cyfronika.com.pl/trafa4.htm>