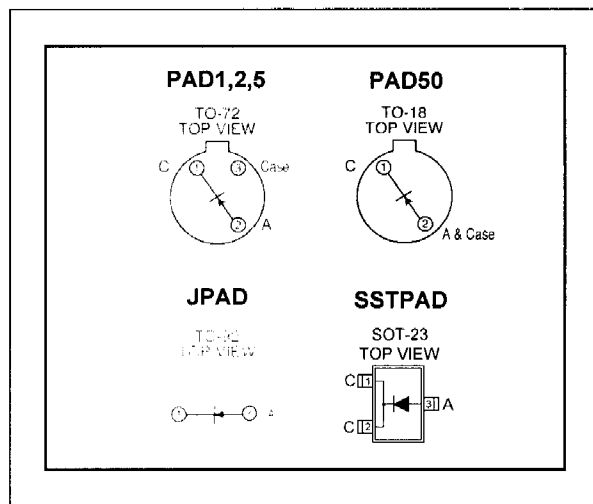


PAD SERIES

PICO AMPERE DIODES

FEATURES	
DIRECT REPLACEMENT FOR SILICONIX PAD SERIES	
REVERSE BREAKDOWN VOLTAGE	$BV_R \geq -30V$
REVERSE CAPACITANCE	$C_{rss} \leq 2.0pF$
ABSOLUTE MAXIMUM RATINGS¹ @ 25 °C (unless otherwise stated)	
Maximum Temperatures	
Storage Temperature	-55 to +150 °C
Operating Junction Temperature	-55 to +150 °C
Maximum Power Dissipation	
Continuous Power Dissipation (PAD)	300mW
Continuous Power Dissipation (J/SSTPAD)	350mW
Maximum Currents	
Forward Current (PAD)	50mA
Forward Current (J/SSTPAD)	10mA



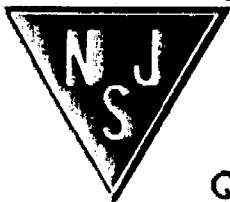
COMMON ELECTRICAL CHARACTERISTICS @ 25 °C (unless otherwise stated)

SYMBOL	CHARACTERISTIC	MIN	TYP	MAX	UNITS	CONDITIONS	
BV_R	Reverse Breakdown Voltage	ALL PAD	-45			V	
		ALL SSTPAD	-30				
		ALL JPAD	-35				
V_F	Forward Voltage		0.8	1.5		$I_F = 5mA$	
C_{rss}	Total Reverse Capacitance	PAD1,5		0.5	0.8	pF	$V_R = -5V, f = 1MHz$
		All Others		1.5	2		

SPECIFIC ELECTRICAL CHARACTERISTICS @ 25 °C (unless otherwise stated)

SYMBOL	CHARACTERISTIC	PAD	JPAD	SSTPAD	UNITS	CONDITIONS	
I_R	Maximum Reverse Leakage Current	PAD1	-1			pA	$V_R = -20V$
		PAD2	-2				
		(SST/J)PAD5	-5	-5	-5		
		(SST/J)PAD10	-10	-10	-10		
		(SST/J)PAD20	-20	-20	-20		
		(SST/J)PAD50	-50	-50	-50		
		(SST/J)PAD100	-100	-100			
		(SST/J)PAD200		-200			
(SST/J)PAD500		-500					

1. Derate 2mW/°C above 25°C
2. Derate 2.8mW/°C above 25°C



NJ Semi-Conductors reserves the right to change test conditions, parameter limits and package dimensions without notice. Information furnished by NJ Semi-Conductors is believed to be both accurate and reliable at the time of going to press. However, NJ Semi-Conductors assumes no responsibility for any errors or omissions discovered in its use. NJ Semi-Conductors encourages customers to verify that datasheets are current before placing orders.

Figure 1. Operational Amplifier Protection

Input Differential Voltage limited to 0.8V (typ) by JPADs D₁ and D₂. Common Mode Input voltage limited by JPADs D₃ and D₄ to ±15V.

Figure 2. Sample and Hold Circuit

Typical Sample and Hold circuit with clipping. JPAD diodes reduce offset voltages fed capacitively from the JFET switch gate.

FIGURE 1

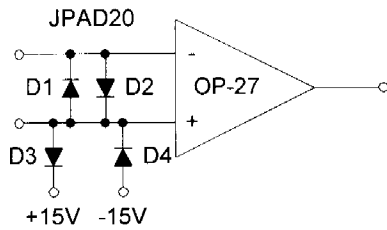
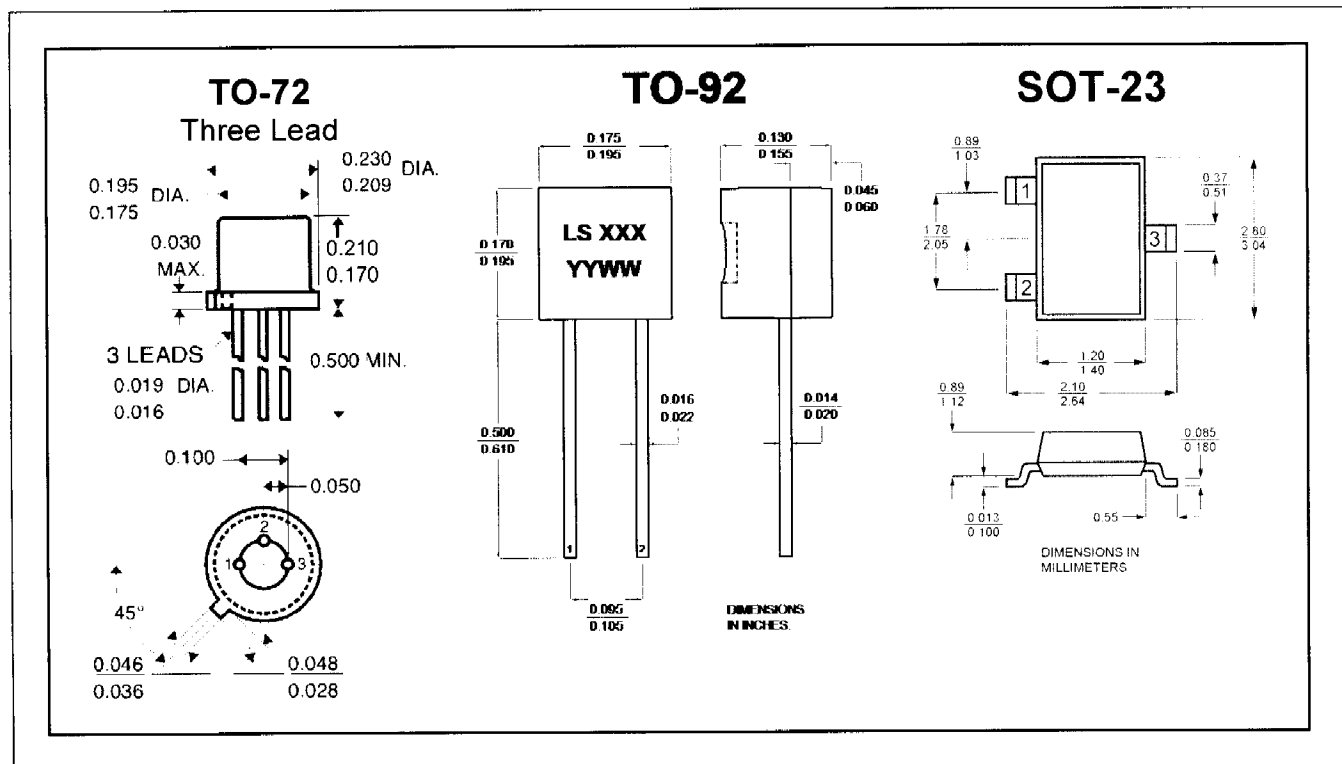
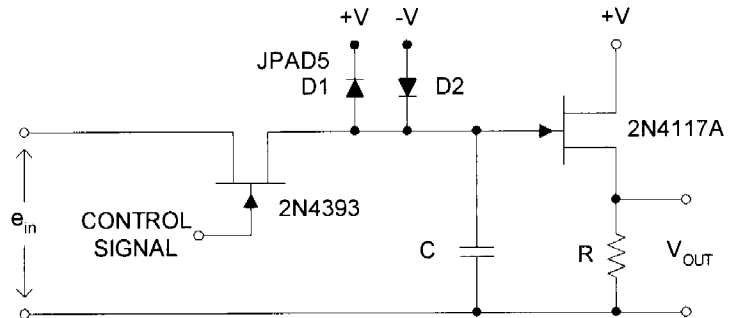


FIGURE 2



1. Absolute maximum ratings are limiting values above which serviceability may be impaired.
2. The PAD type number denotes its maximum reverse current value in pico amperes. Devices with I_R values intermediate to those shown are available upon request.

Information furnished by Linear Integrated Systems is believed to be accurate and reliable. However, no responsibility is assumed for its use; nor for any infringement of patents or other rights of third parties which may result from its use. No license is granted by implication or otherwise under any patent or patent rights of Linear Integrated Systems.