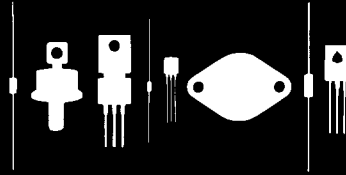


Central
Semiconductor Corp.
Central
Semiconductor Corp.
Central
Semiconductor Corp.
145 Adams Avenue
Hauppauge, New York 11788



CRSH8-4
CRSH8-6

SCHOTTKY BARRIER RECTIFIER
8.0 AMPS, 40 AND 60 VOLTS

JEDEC TO-220AC CASE

DESCRIPTION

The CENTRAL SEMICONDUCTOR CRSH8 Series types are Schottky Barrier Rectifiers mounted in a JEDEC TO-220AC case using metal to silicon junction to yield low forward voltage drop and instantaneous reverse recovery times. For Reverse polarity, add "R" suffix to part number (Example: CRSH8-4R).

MAXIMUM RATINGS (T_C = 25°C unless otherwise noted)

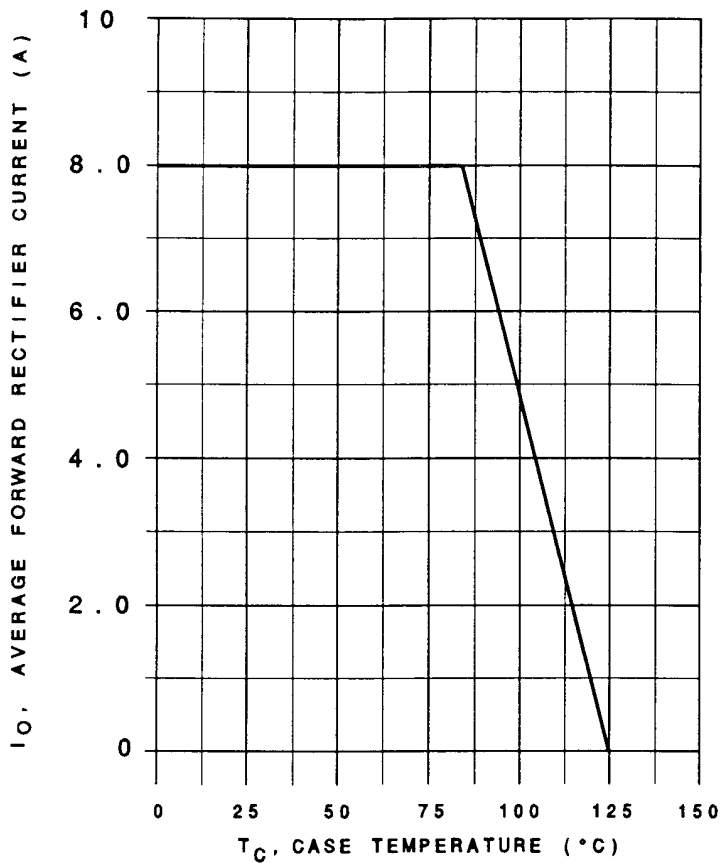
	<u>SYMBOL</u>	<u>CRSH8-4</u>	<u>CRSH8-6</u>	<u>UNITS</u>
Peak Repetitive Reverse Voltage	V _{RRM}	40	60	V
DC Blocking Voltage	V _R	40	60	V
RMS Reverse Voltage	V _{R(RMS)}	28	42	V
Average Forward Current (T _C = 85°C)	I _O		8.0	A
Peak Forward Surge Current (8.3ms)	I _{FSM}		150	A
Storage Temperature	T _{stg}	-65 to +150		°C
Junction Temperature	T _J	-65 to +125		°C
Thermal Resistance	θ _{JC}	3.0 TYP.		°C/W

ELECTRICAL CHARACTERISTICS (T_C = 25°C unless otherwise noted)

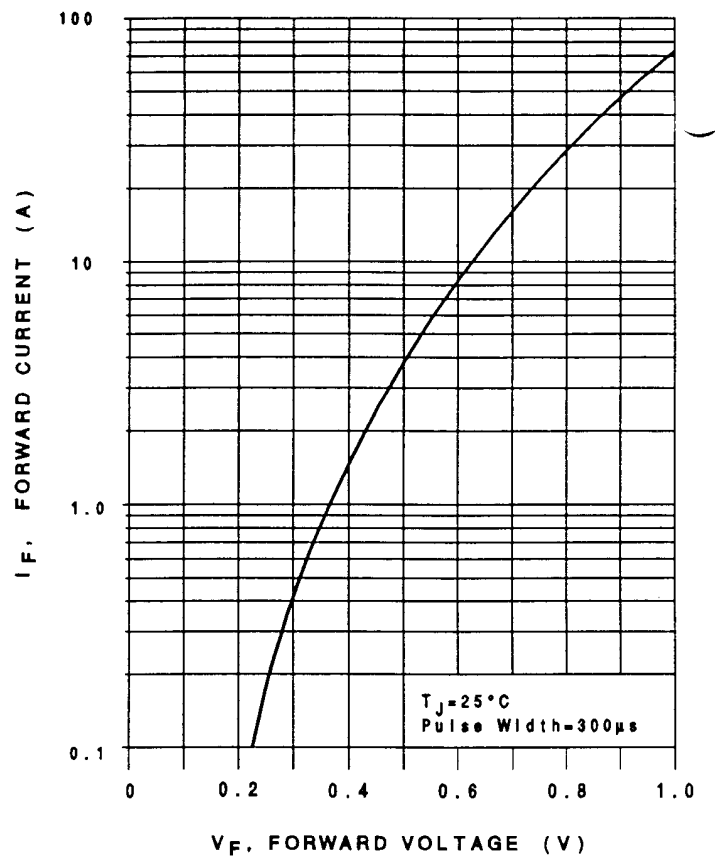
<u>SYMBOL</u>	<u>TEST CONDITIONS</u>	<u>MIN</u>	<u>TYP</u>	<u>MAX</u>	<u>UNITS</u>
I _R	V _R = Rated V _{RRM}			0.5	mA
I _R	V _R = Rated V _{RRM} , T _C = 100°C			50	mA
V _F	I _F = 7.5A			0.75	V
C _J	V _R = 4.0V, f = 1.0MHz		700		pF

CRSH8 SERIES RATING AND CHARACTERISTIC CURVES

FORWARD DERATING CURVE

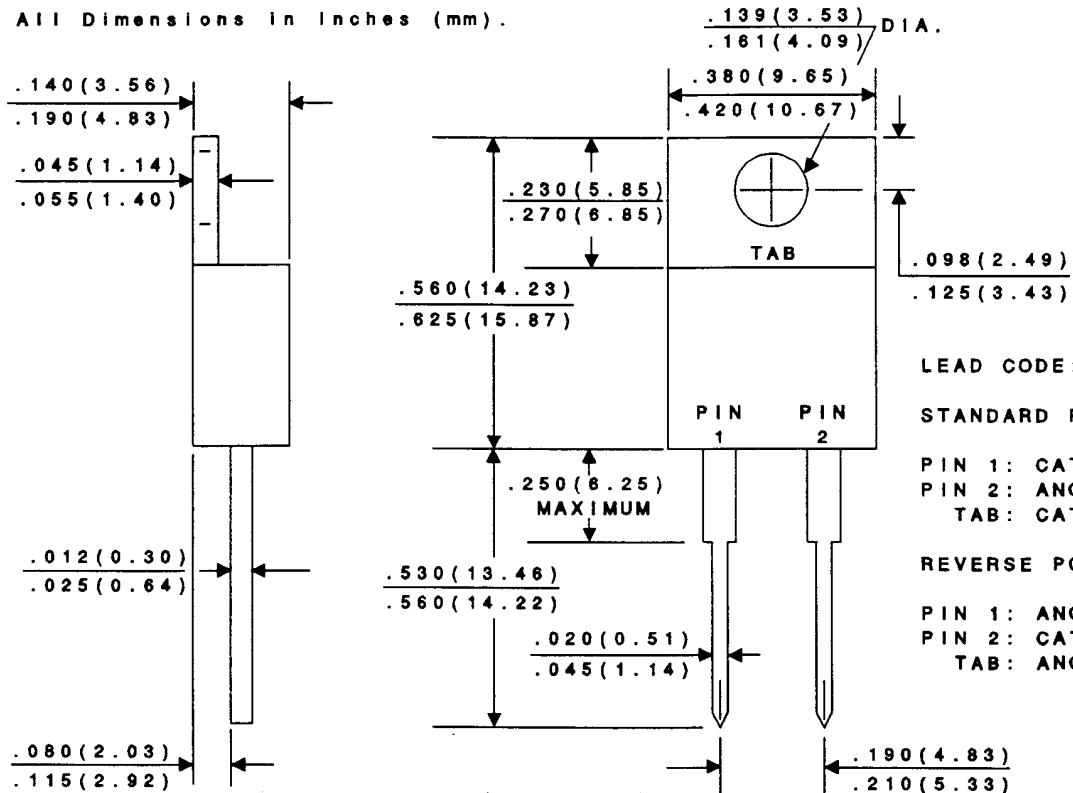


TYPICAL FORWARD CHARACTERISTICS



MECHANICAL DIMENSIONS

All Dimensions in Inches (mm).



LEAD CODE:
STANDARD POLARITY
 PIN 1: CATHODE
 PIN 2: ANODE
 TAB: CATHODE
REVERSE POLARITY
 PIN 1: ANODE
 PIN 2: CATHODE
 TAB: ANODE