




CMSD2836
CMSD2838



SUPER-MINI
DUAL SILICON
SWITCHING DIODE

SOT-323 CASE

DESCRIPTION

The CENTRAL SEMICONDUCTOR CMSD2836, CMSD2838 types are ultra-high speed silicon switching diodes manufactured by the epitaxial planar process, in an epoxy molded super-mini surface mount package, designed for high speed switching applications.

The following configurations are available:

CMSD2836
CMSD2838

DUAL, COMMON ANODE
DUAL, COMMON CATHODE

MARKING CODE: A2C
MARKING CODE: A6C

MAXIMUM RATINGS (T_A=25°C)

Peak Repetitive Reverse Voltage
Average Forward Current
Peak Forward Current
Power Dissipation
Operating and Storage
Junction Temperature
Thermal Resistance

SYMBOL

V_{RRM}
I_O
I_{FM}
P_D
T_J, T_{stg}
Θ_{JA}

75
200
300
250
-65 to +150
500

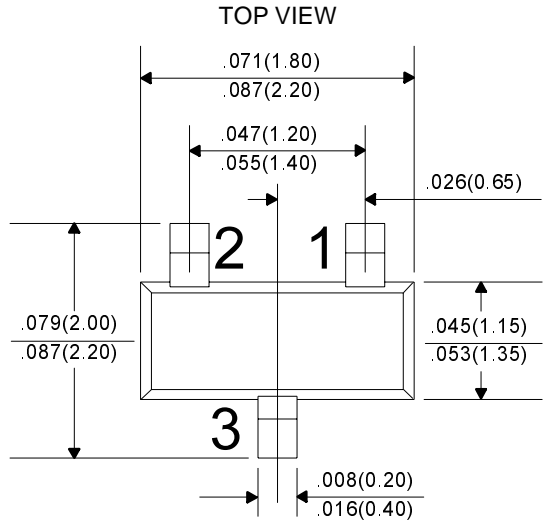
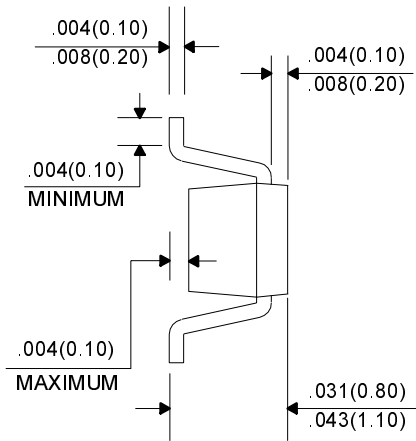
UNITS

V
mA
mA
mW
°C
°C/W

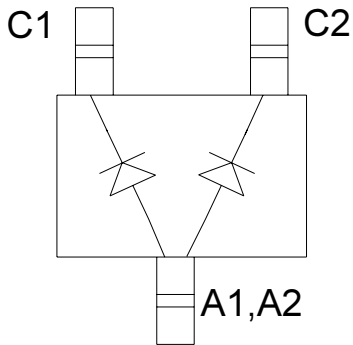
ELECTRICAL CHARACTERISTICS (T_A=25°C unless otherwise noted)

SYMBOL	TEST CONDITIONS	MIN	TYP	MAX	UNITS
BV _R	I _R =100μA	75			V
I _R	V _R =50V			100	nA
V _F	I _F =10mA			1.0	V
V _F	I _F =50mA			1.0	V
V _F	I _F =100mA			1.2	V
C _T	V _R =0, f=1 MHz		1.5	6.0	pF
t _{rr}	I _R =I _F =10mA, R _L =100Ω, Rec. to 1.0mA			4.0	ns

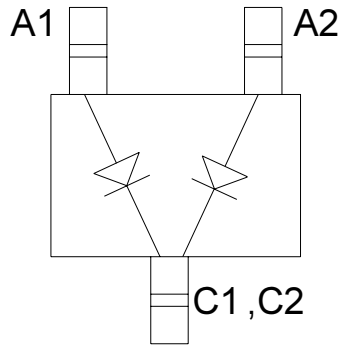
All dimensions in inches (mm).



Lead Code



CMSD2836



CMSD2838