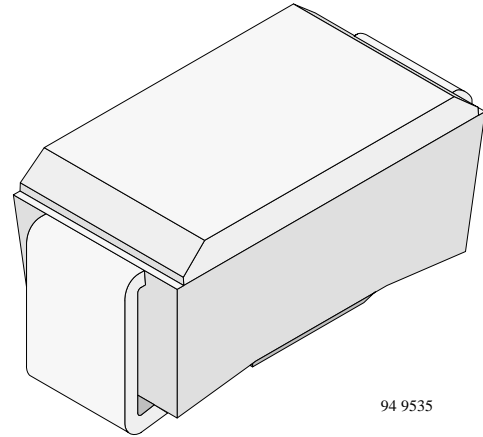


## Super Fast Silicon Mesa SMD Rectifier

### Features

- Controlled avalanche characteristic
- Glass passivated junction
- Low reverse current
- Low forward voltage
- Soft recovery characteristic
- Very fast reverse recovery time
- Good switching behaviour
- Wave and reflow solderable



94 9535

### Applications

Surface mounting  
Super fast rectifier  
Freewheeling diodes in SMPS and converters  
Snubber diodes

### Absolute Maximum Ratings

$T_j = 25^\circ\text{C}$

Parameter	Test Conditions	Type	Symbol	Value	Unit
Reverse voltage, repetitive peak reverse voltage		BYG22A	$V_R = V_{RRM}$	50	V
		BYG22B	$V_R = V_{RRM}$	100	V
		BYG22D		200	V
Peak forward surge current	$t_p = 10\text{ms}$		$I_{FSM}$	35	A
Average forward current			$I_{FAV}$	2	A
Junction temperature			$T_j$	150	$^\circ\text{C}$
Storage temperature range			$T_{stg}$	-55...+150	$^\circ\text{C}$
Max. pulse energy in avalanche mode, non repetitive (inductive load switch off)	$I_{(BR)R} = 1\text{A}, T_j = 25^\circ\text{C}$		$E_R$	20	mWs

### Maximum Thermal Resistance

$T_j = 25^\circ\text{C}$

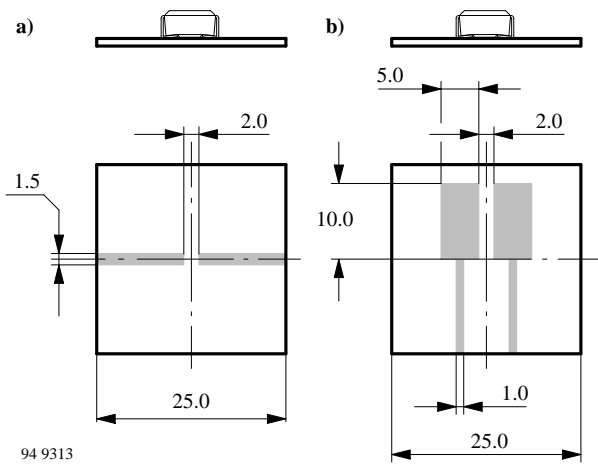
Parameter	Test Conditions	Symbol	Value	Unit
Junction case		$R_{thJC}$	25	K/W
Junction ambient	mounted on epoxy-glass hard tissue, Fig. 1a	$R_{thJA}$	150	K/W
	mounted on epoxy-glass hard tissue, Fig. 1b	$R_{thJA}$	125	K/W
	mounted on Al-oxid-ceramic ( $\text{Al}_2\text{O}_3$ ), Fig. 1b	$R_{thJA}$	100	K/W

## Characteristics

$T_j = 25^\circ\text{C}$

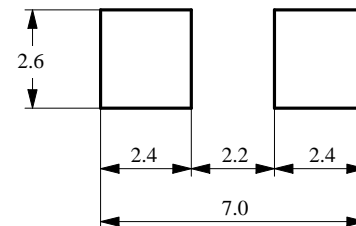
Parameter	Test Conditions	Type	Symbol	Min	Typ	Max	Unit
Forward voltage	$I_F=1\text{A}$		$V_F$			1	V
	$I_F=2\text{A}$		$V_F$			1.1	V
Reverse current	$V_R=V_{RRM}$		$I_R$			1	$\mu\text{A}$
	$V_R=V_{RRM}, T_j=100^\circ\text{C}$		$I_R$			10	$\mu\text{A}$
Reverse recovery time	$I_F=0.5\text{A}, I_R=1\text{A}, i_R=0.25\text{A}$		$t_{rr}$			25	ns

## Typical Characteristics ( $T_j = 25^\circ\text{C}$ unless otherwise specified)



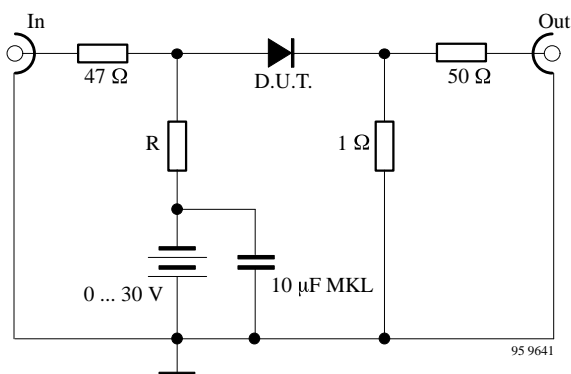
94 9313

Figure 1. Boards for  $R_{thJA}$  definition (copper overlay  $35\mu$ )



94 9314

Figure 2. Recommended foot pads (in mm)



95 9641

Figure 3. Turn off switching test circuit

**In:** Pulse generator  
 $R_G = 50 \Omega$   
 $t_r < 15 \text{ ns}$

**Out:** Osc.  
 $R_i = 1 \text{ M}\Omega$   
 $C_i = 16 \text{ pF}$   
 $t_r < 3.5 \text{ ns}$

Circuit 1:  $R = 24 \Omega$   
 Circuit 2:  $R = 50 \Omega$

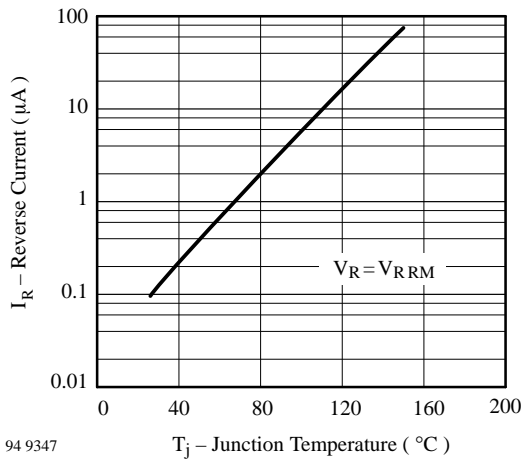


Figure 4. Reverse Current vs. Junction Temperature

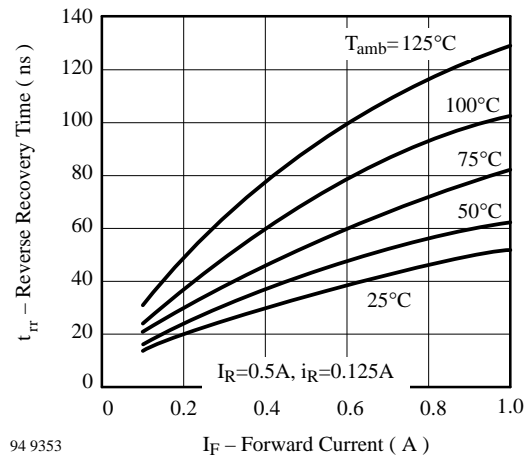


Figure 7. Reverse Recovery Time vs. Forward Current

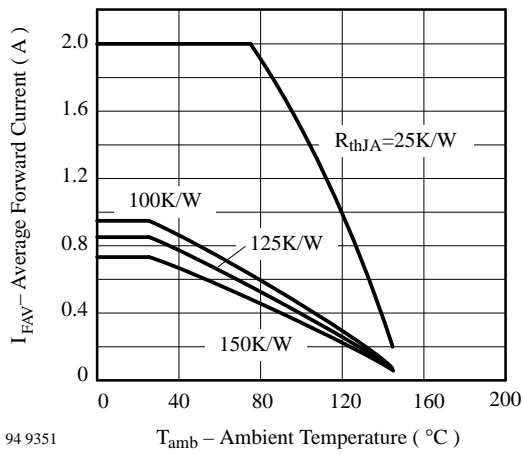


Figure 5. Average Forward Current vs. Ambient Temperature

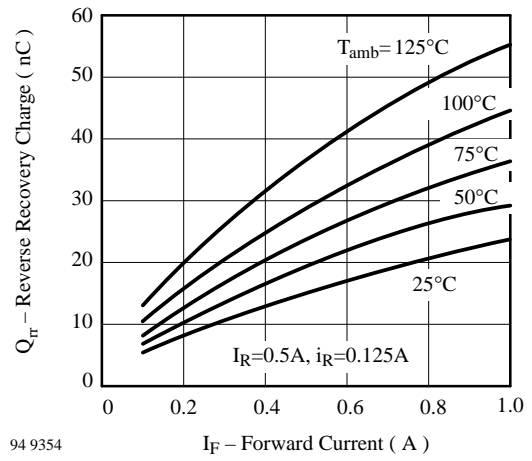


Figure 8. Reverse Recovery Charge vs. Forward Current

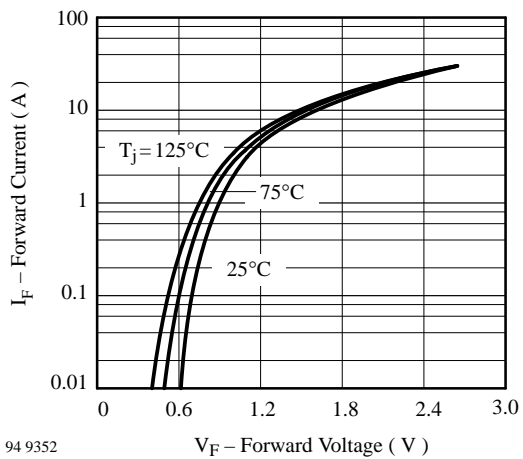


Figure 6. Forward Current vs. Forward Voltage

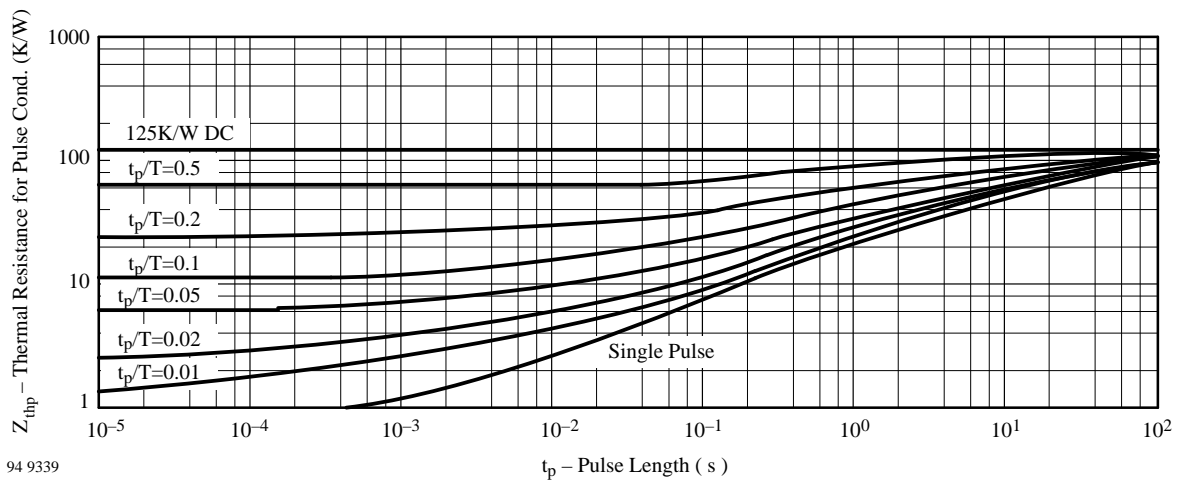
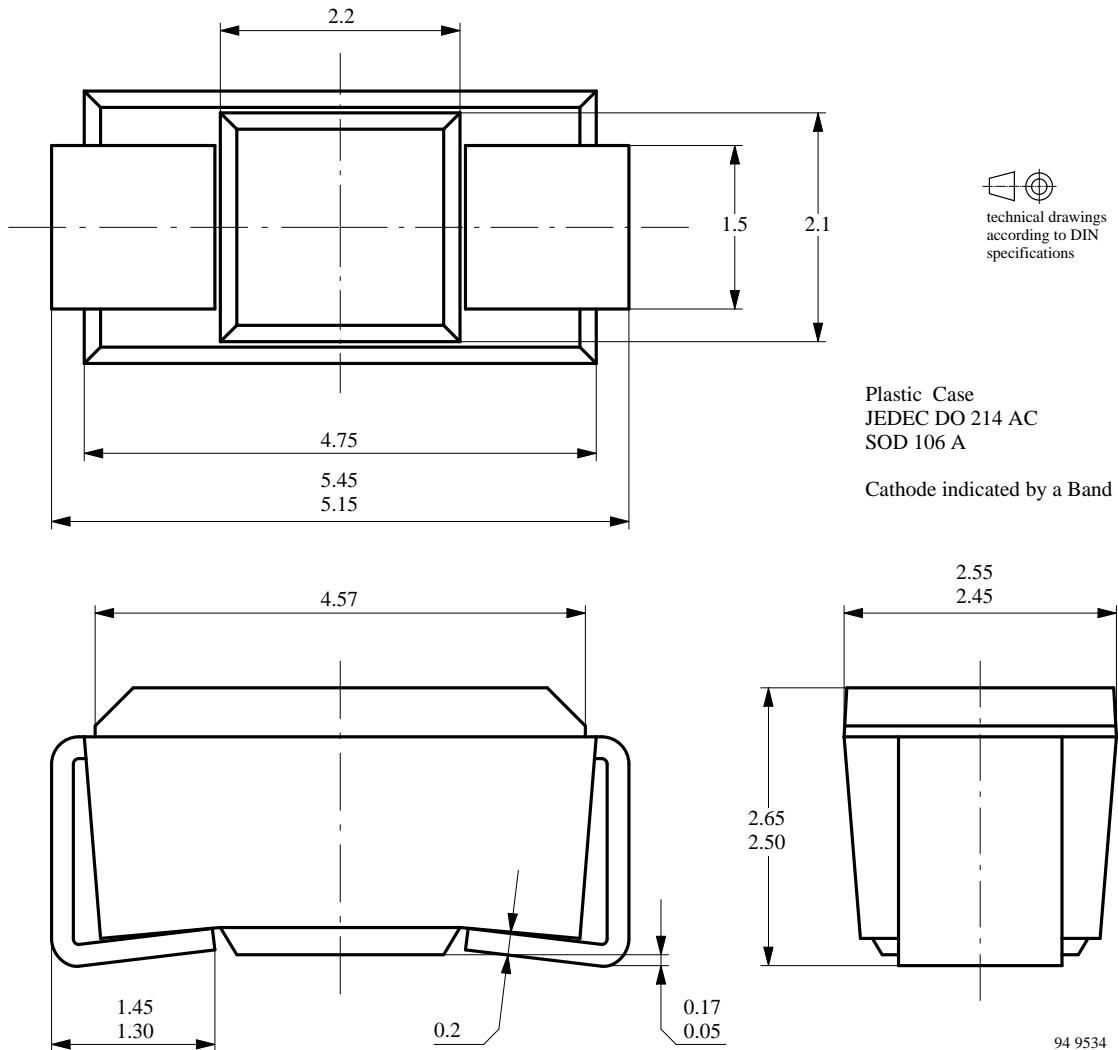


Figure 9. Thermal Response

## Dimensions in mm



94 9534

## Ozone Depleting Substances Policy Statement

It is the policy of **TEMIC TELEFUNKEN microelectronic GmbH** to

1. Meet all present and future national and international statutory requirements.
2. Regularly and continuously improve the performance of our products, processes, distribution and operating systems with respect to their impact on the health and safety of our employees and the public, as well as their impact on the environment.

It is particular concern to control or eliminate releases of those substances into the atmosphere which are known as ozone depleting substances (ODSs).

The Montreal Protocol (1987) and its London Amendments (1990) intend to severely restrict the use of ODSs and forbid their use within the next ten years. Various national and international initiatives are pressing for an earlier ban on these substances.

**TEMIC TELEFUNKEN microelectronic GmbH** semiconductor division has been able to use its policy of continuous improvements to eliminate the use of ODSs listed in the following documents.

1. Annex A, B and list of transitional substances of the Montreal Protocol and the London Amendments respectively
2. Class I and II ozone depleting substances in the Clean Air Act Amendments of 1990 by the Environmental Protection Agency (EPA) in the USA
3. Council Decision 88/540/EEC and 91/690/EEC Annex A, B and C (transitional substances) respectively.

**TEMIC** can certify that our semiconductors are not manufactured with ozone depleting substances and do not contain such substances.

**We reserve the right to make changes to improve technical design and may do so without further notice.**

Parameters can vary in different applications. All operating parameters must be validated for each customer application by the customer. Should the buyer use TEMIC products for any unintended or unauthorized application, the buyer shall indemnify TEMIC against all claims, costs, damages, and expenses, arising out of, directly or indirectly, any claim of personal damage, injury or death associated with such unintended or unauthorized use.

TEMIC TELEFUNKEN microelectronic GmbH, P.O.B. 3535, D-74025 Heilbronn, Germany  
Telephone: 49 (0)7131 67 2831, Fax number: 49 (0)7131 67 2423