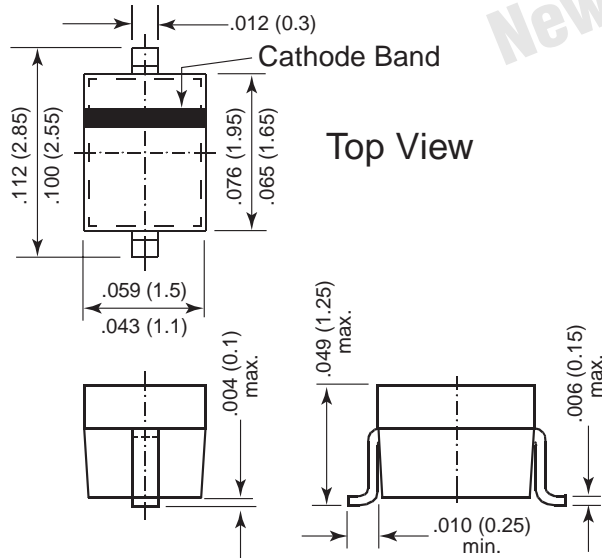
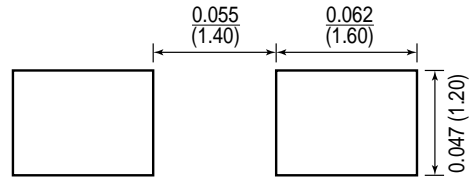




SOD-323



Mounting Pad Layout



New Product

Features

- These diodes feature very low turn-on voltage and fast switching.
- These devices are protected by a PN junction guard ring against excessive voltage, such as electrostatic discharges.

Mechanical Data

Case: SOD-323 Plastic Package

Weight: approx. 0.004 grams

Marking Code: L4

Packaging Codes/Options:

D5/10K per 13" reel (8mm tape)

D6/3K per 7" reel (8mm tape)

Maximum Ratings and Thermal Characteristics (T_A = 25°C unless otherwise noted)

Parameter	Symbol	Value	Unit
Repetitive Peak Reverse Voltage	V _{RRM}	30	V
Forward Continuous Current at T _{amb} = 25°C	I _F	200 ⁽¹⁾	mA
Repetitive Peak Forward Current at T _{amb} = 25°C	I _{FRM}	300 ⁽¹⁾	mA
Surge Forward Current at t _p < 1 s, T _{amb} = 25°C	I _{FSM}	600 ⁽¹⁾	mA
Power Dissipation at T _{amb} = 25°C	P _{tot}	150 ⁽¹⁾	mW
Thermal Resistance Junction to Ambient Air	R _{θJA}	650 ⁽¹⁾	°C/W
Maximum Junction Temperature	T _j	150	°C
Storage Temperature Range	T _s	-65 to +150	°C

Electrical Characteristics (T_J = 25°C unless otherwise noted)

Parameter	Symbol	Test Condition	Min	Typ	Max	Unit
Reverse Breakdown Voltage	V _{(BR)R}	100 μA pulses	30	—	—	V
Leakage Current ⁽²⁾	I _R	Pulse Test t _p < 300 μs	—	—	2	μA
Forward Voltage ⁽²⁾	V _F	I _F = 0.1 mA	—	—	240	mV
		I _F = 1 mA	—	—	320	
		I _F = 10 mA	—	—	400	
		I _F = 30 mA	—	—	500	
		I _F = 100 mA	—	—	1000	
Capacitance	C _{tot}	V _F = 1 V, f = 1 MHz	—	—	10	pF
Reverse Recovery Time	t _{rr}	I _F = 10 mA, I _R = 10 mA I _{rr} = 1 mA, R _L = 100 Ω	—	—	5	ns

Notes: (1) Valid provided that electrodes are kept at ambient temperature

(2) Pulse test: t_p < 300μs, δ < 2%