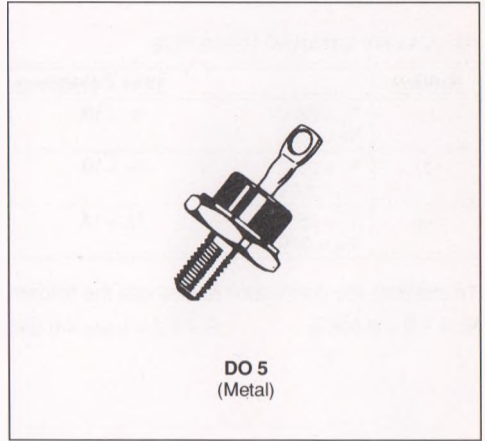




**FAST RECOVERY RECTIFIER DIODES**

- FAST RECOVERY TIME
- LOW FORWARD RECOVERY TIME
- AVAILABLE UP TO 600V



**APPLICATIONS**

- DC AND AC MOTOR CONTROL
- SWITCHMODE POWER SUPPLY
- HIGH FREQUENCY CHOPPERS
- HIGH FREQUENCY RECTIFIERS

**ABSOLUTE RATINGS** (limiting values)

Symbol	Parameter		Value	Unit
$I_{FRM}$	Repetitive Peak Forward Current	$t_p \leq 20\mu s$	250	A
$I_{F(AV)}$	Average Forward Current	$T_c = 100^\circ C$	30	A
$I_{FSM}$	Surge non Repetitive Forward Current	$t_p = 10ms$ Sinusoidal	300	A
$P_{Tot}$	Power Dissipation	$T_c = 100^\circ C$	50	W
$T_{stg}$ $T_j$	Storage and Junction Temperature Range		- 65 to 150	$^\circ C$

Symbol	Parameter	1N					BYX 64-600	Unit
		3909	3910	3911	3912	3913		
$V_{RRM}$	Repetitive Peak Reverse Voltage	50	100	200	300	400	600	V

**THERMAL RESISTANCE**

Symbol	Parameter	Value	Unit
$R_{th(j-c)}$	Junction-case	1	$^\circ C/W$

## ELECTRICAL CHARACTERISTICS

## STATIC CHARACTERISTICS

Symbol	Test Conditions		Min.	Typ.	Max.	Unit
$I_R$	$T_j = 25^\circ\text{C}$	$V_R = V_{RRM}$			50	$\mu\text{A}$
	$T_j = 100^\circ\text{C}$				6	$\text{mA}$
$V_F$	$T_j = 25^\circ\text{C}$	$I_F = 30\text{A}$			1.4	V

## RECOVERY CHARACTERISTICS

Symbol	Test Conditions			Min.	Typ.	Max.	Unit
$t_{rr}$	$T_j = 25^\circ\text{C}$ $V_R = 30\text{V}$	$I_F = 1\text{A}$	$di_F/dt = -15\text{A}/\mu\text{s}$			200	ns
$Q_{rr}$	$T_j = 25^\circ\text{C}$ $V_R = 30\text{V}$	$I_F = 1\text{A}$	$di_F/dt = -15\text{A}/\mu\text{s}$			0.3	$\mu\text{C}$
$I_{RM}$	$T_j = 25^\circ\text{C}$ $V_R = 30\text{V}$	$I_F = 1\text{A}$	$di_F/dt = -15\text{A}/\mu\text{s}$			3	A

To evaluate the conduction losses use the following equations :

$$V_F = 1.2 + 0.006 I_F \quad P = 1.2 \times I_{F(AV)} + 0.006 I_F^2_{(RMS)}$$