

1N3288(R)-1N3297(R)

High Current Rectifier

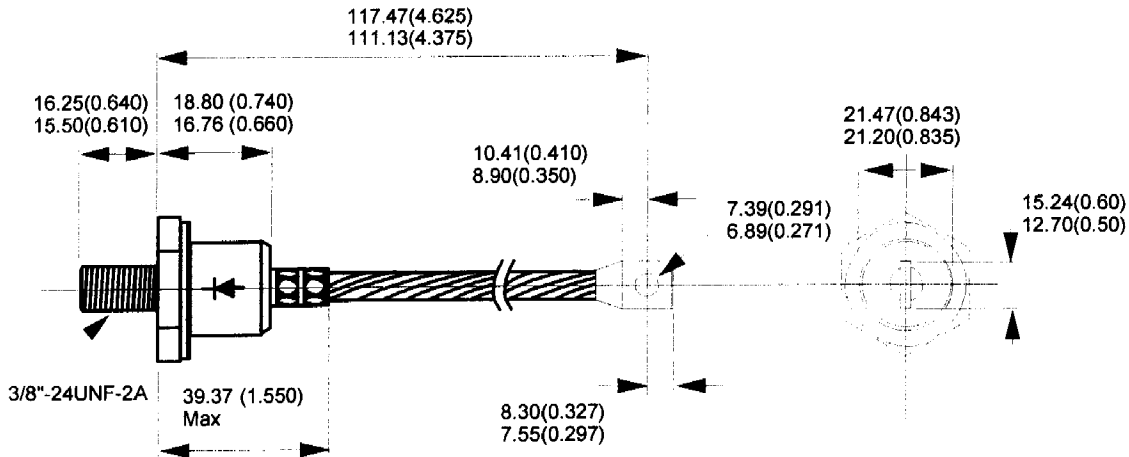
$V_{RRM} = 50-1400V$, $I_{F(AV)} = 100 A$, $VF = 1.2V$

Cathode to Stud

(Anode to Stud add Suffix R)

MAXIMUM RATINGS (T _J = 25 °C unless stated otherwise)													
Parameter	Symbol	1N3288	1N3289	1N3290	1N3291	1N3292	1N3293	1N3294	1N3295	1N3296	1N3297	Unit	
Repetitive Peak Reverse Voltage	V _{RRM}	100	200	300	400	500	600	800	1000	1200	1400	Volt	
Maximum Average On-State Current	I _{F(AV)}	100											Amp
Peak Forward Surge Current	I _{FSM}	1600											Amp
Maximum I ² T for Fusing	I ² T	10700											A ² /S
Maximum Storage Temperature Range	T _(STG)	-65 to +200											°C
Maximum Junction Temperature Range	T _J	-65 to +200											°C

ELECTRICAL CHARACTERISTICS at T _J = 25 °C Maximum. Unless stated Otherwise:				Value			Unit
Parameter	Symbol	Condition	Min	Typ	Max		
Maximum Forward Voltage	V _{FM}	I _{FM} = 200 Amps		1.2		Volt	
Repetitive Peak Off- State Current (1)	I _{DRM(1)}	V _R = V _{RRM}		20.0		µA	
Repetitive Peak Off- State Current (2)	I _{DRM(2)}	V _R = V _{RRM} , T _J = 150°C			5	mA	
Operating Frequency	f _(MAX)				7.5	KHz	
Thermal Resistance (Junction to Case)	R _{TH (JC)}				0.40	°C/W	
Mounting Torque	M _T				11.3	NM	
Weight	Wt				78	grms	



D0-8

