

ADJUSTABLE PRECISION ZENER SHUNT REGULATOR

ISSUE 3 – MARCH 1998

ZR431

DEVICE DESCRIPTION

The ZR431 is a three terminal adjustable shunt regulator offering excellent temperature stability and output current handling capability up to 100mA. The output voltage may be set to any chosen voltage between 2.5 and 20 volts by selection of two external divider resistors.

The devices can be used as a replacement for zener diodes in many applications requiring an improvement in zener performance.

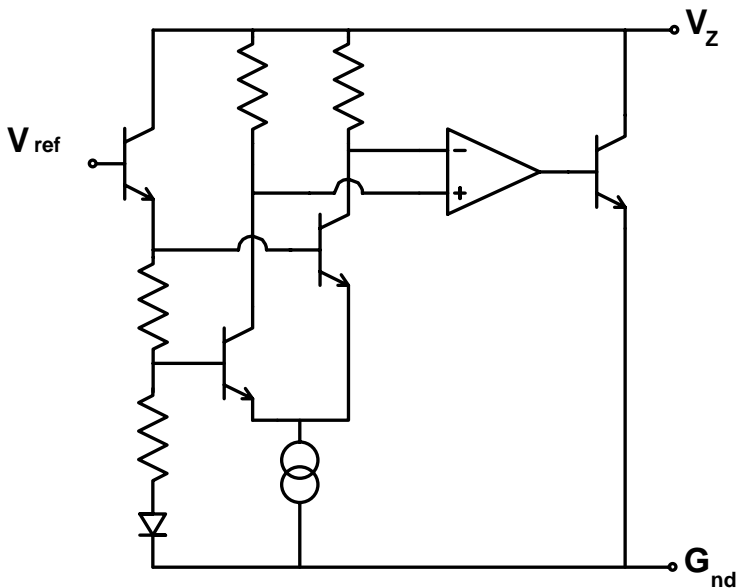
FEATURES

- Surface mount SO8, SOT89, SOT223 and SOT23 packages
- TO92 package
- 2% and 1% tolerance
- Max. temperature coefficient 55 ppm/°C
- Temperature compensated for operation over the full temperature range
- Programmable output voltage
- 50µA to 100mA current sink capability
- Low output noise

APPLICATIONS

- Shunt regulator
- Series regulator
- Voltage monitor
- Over voltage/ under voltage protection
- Switch mode power supplies

SCHEMATIC DIAGRAM



ZR431

ABSOLUTE MAXIMUM RATING

Cathode Voltage (V _Z)	20V
Cathode Current	150mA
Operating Temperature	-40 to 85°C
Storage Temperature	-55 to 125°C

Power Dissipation (T_{amb}=25°C, T_{jmax}=150°C)

SOT23	330mW
TO92	780mW
SOT223	2W
SO8	780mW
SOT89	1.5W

Recommended Operating Conditions

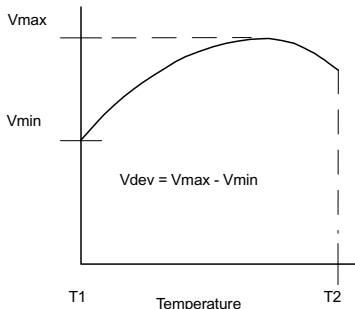
	Min	Max
Cathode Voltage	V _{ref}	20V
Cathode Current	50µA	100mA

ELECTRICAL CHARACTERISTICS TEST CONDITIONS (Unless otherwise stated): T_{amb}=25°C

PARAMETER	SYMBOL	VALUE			UNITS	CONDITIONS
		MIN	TYP	MAX		
Reference Voltage	2% 1% V _{ref}	2.45 2.475	2.50 2.50	2.55 2.525	V	I _L =10mA (Fig1), V _Z =V _{ref}
Deviation of Reference Input Voltage over Temperature	V _{dev}		8.0	17	mV	I _L =10mA, V _Z =V _{ref} T _a =full range (Fig1)
Ratio of the change in Reference Voltage to the Change in Cathode Voltage	$\frac{\Delta V_{ref}}{\Delta V_Z}$		-1.85	-2.7	mV/V	V _Z from V _{ref} to 10V I _Z =10mA (Fig2)
			-1.0	-2.0	mV/V	V _Z from 10V to 20V I _Z =10mA (Fig2)
Reference Input Current	I _{ref}		0.12	1.0	µA	R1=10k, R2=O/C, I _L =10mA (Fig2)
Deviation of Reference Input Current over Temperature	ΔI _{ref}		0.04	0.2	µA	R1=10k, R2=O/C, I _L =10mA T _a =full range (Fig2)
Minimum Cathode Current for Regulation	I _{Zmin}		35	50	µA	V _Z =V _{ref} (Fig1)
Off-state Current	I _{Zoff}			0.1	µA	V _Z =20V, V _{ref} =0V (Fig3)
Dynamic Output Impedance	R _Z			0.75	Ω	V _Z =V _{ref} (Fig1), f=0Hz

Deviation of reference input voltage, V_{dev}, is defined as the maximum variation of the reference input voltage over the full temperature range.

The average temperature coefficient of the reference input voltage, V_{ref} is defined as:



$$V_{ref} (ppm/^{\circ}C) = \frac{V_{dev} \times 1000000}{V_{ref} (T_1 - T_2)}$$

The dynamic output impedance, R_Z, is defined as:

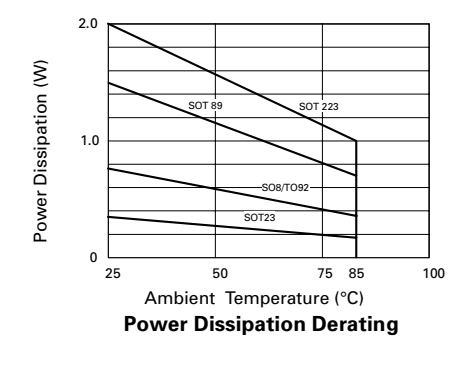
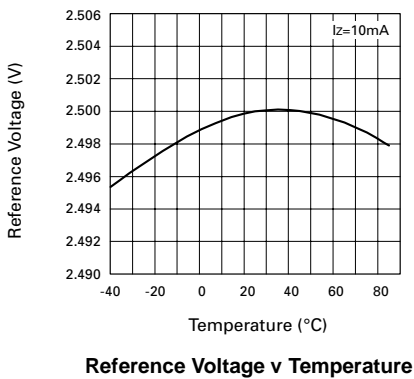
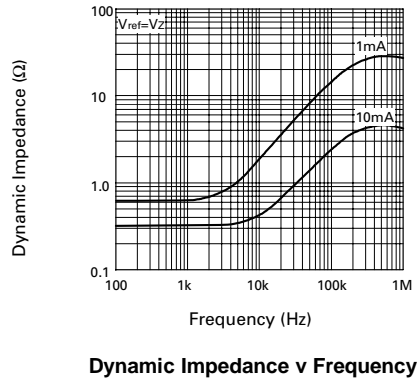
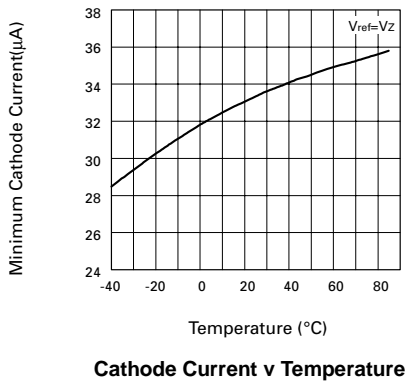
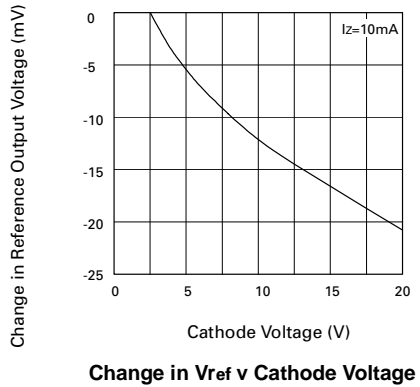
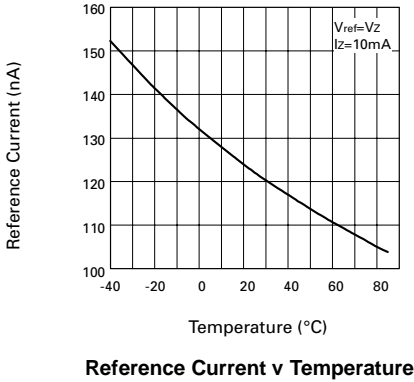
$$R_Z = \frac{\Delta V_Z}{\Delta I_Z}$$

When the device is programmed with two external resistors, R₁ and R₂, (fig 2), the dynamic output impedance of the overall circuit, R', is defined as:

$$R' = R_Z \left(1 + \frac{R_1}{R_2}\right)$$

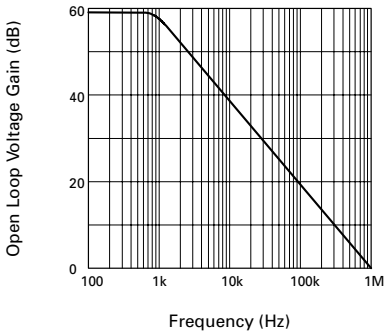
ZR431

TYPICAL CHARACTERISTICS

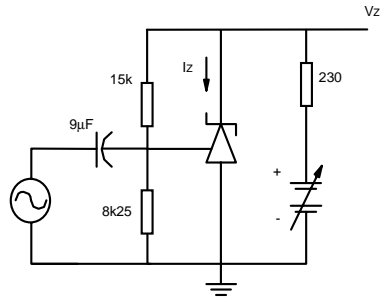


ZR431

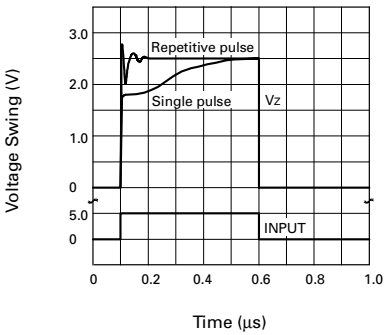
TYPICAL CHARACTERISTICS



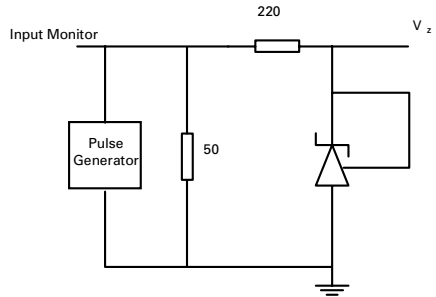
Gain v Frequency



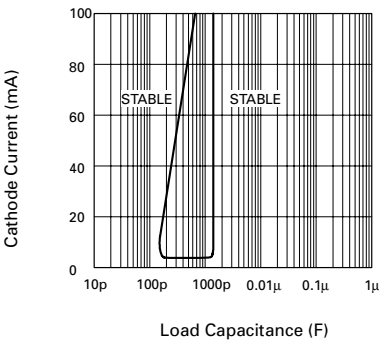
Test Circuit for Open Loop Voltage Gain



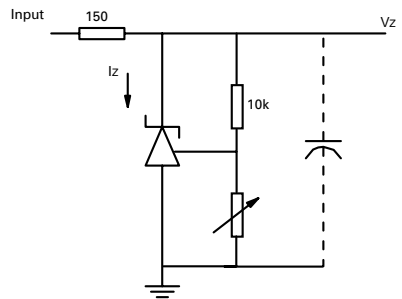
Pulse Response



Test Circuit for Pulse Response



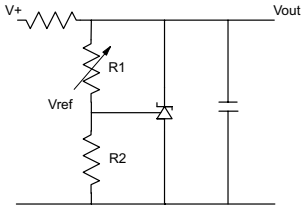
Stability Boundary Conditions



Test Circuit for Stability Boundary Conditions

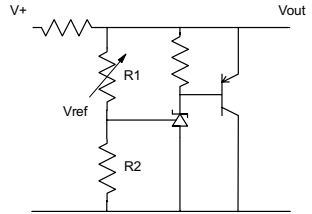
ZR431

APPLICATION CIRCUITS



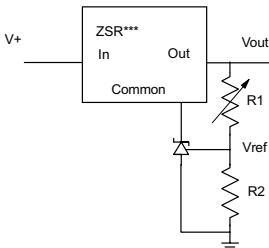
$$V_{out} = \left(1 + \frac{R1}{R2} \right) V_{ref}$$

SHUNT REGULATOR



$$V_{out} = \left(1 + \frac{R1}{R2} \right) V_{ref}$$

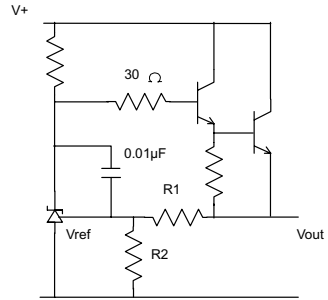
HIGHER CURRENT SHUNT REGULATOR



$$V_{out_MIN} = V_{ref} + V_{reg}$$

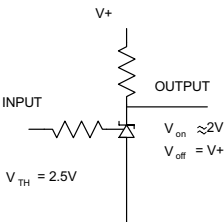
$$V_{out} = \left(1 + \frac{R1}{R2} \right) V_{ref}$$

OUTPUT CONTROL OF A THREE TERMINAL FIXED REGULATOR

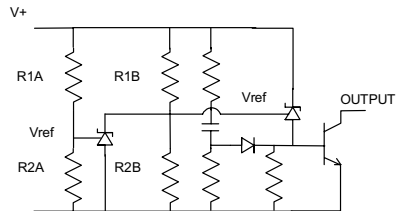


$$V_{out} = \left(1 + \frac{R1}{R2} \right) V_{ref}$$

SERIES REGULATOR



SINGLE SUPPLY COMPARATOR WITH TEMPERATURE COMPENSATED THRESHOLD



$$\text{Low limit} = \left(1 + \frac{R1B}{R2B} \right) V_{ref}$$

$$\text{High limit} = \left(1 + \frac{R1A}{R2A} \right) V_{ref}$$

OVER VOLTAGE / UNDER VOLTAGE PROTECTION CIRCUIT

ZR431

DC TEST CIRCUITS

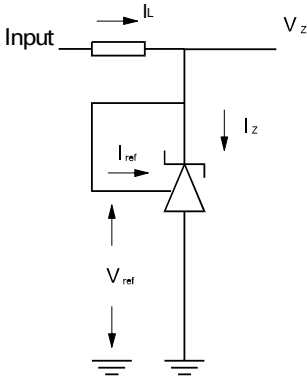


Fig 1 – Test Circuit for $V_z = V_{ref}$

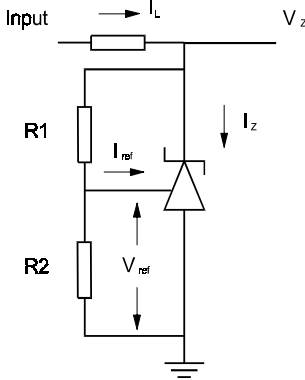


Fig 2 – Test Circuit for $V_z > V_{ref}$

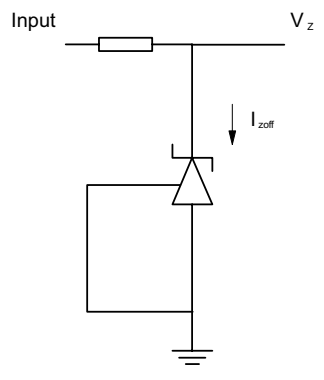
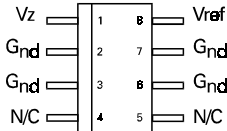


Fig 3 – Test Circuit for Off State current

ZR431

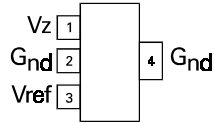
CONNECTION DIAGRAMS

SO8 Package Suffix – N8



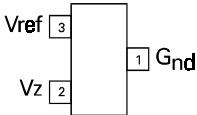
Top View

SOT223 Package Suffix – G



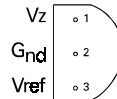
Top View –
Pin 4 floating or connected to pin 2

SOT23 Package Suffix – F



Top View

TO92 Package Suffix – C

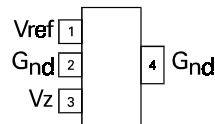


Bottom View

ORDERING INFORMATION

Part Number	Package	Tol. %	Part Mark
ZR431C01	TO92	1.0	ZR43101
ZR431C	TO92	2.0	ZR431
ZR431G01	SOT223	1.0	ZR43101
ZR431G	SOT223	2.0	ZR431
ZR431F01	SOT23	1.0	43B
ZR431F	SOT23	2.0	43A
ZR431Z01	SOT89	1.0	43D
ZR431Z	SOT89	2.0	43C
ZR431N801	SO8	1.0	ZR43101
ZR431N8	SO8	2.0	ZR431

SOT89 Package Suffix – Z



Top View –
Pin 4 floating or connected to pin 2