

MAGNETIC AMPLIFIER CONTROLLER

FEATURES

- Independent 1% Reference
- Two Uncommitted, Identical Operational Amplifiers
- 100-mA Reset Current Source With –120-V Capability
- 5-V to 40-V Analog Operation
- 5-W DIP Package

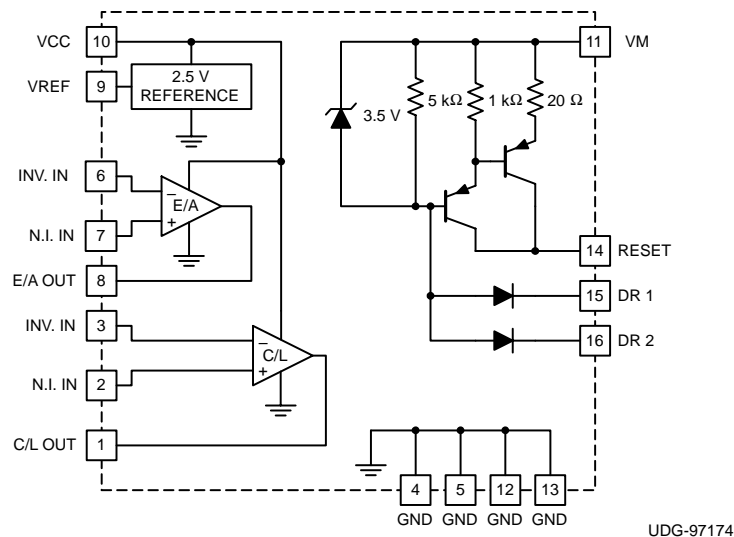
DESCRIPTION

The UC3838 and the UC3838A family of magnetic amplifier controllers contains the circuitry to generate and amplify a low-level analog error signal along with a high voltage-compliant current source. This source provides the reset current necessary to enable a magnetic amplifier to regulate and control a power supply output in the range of 2 A to 20 A.

The UC3838A originally was a parametric improvement version of the UC3838 which since has been used for both versions. There is no difference between the UC3838A and UC3838 version.

By controlling the reset current to a magnetic amplifier, this device defines the amount of volt-seconds the magnetic amplifier blocks before switching to the conducting state. Magnetic amplifiers are ideal for post-regulators for multiple-output power supplies where each output can be independently controlled with efficiencies up to 99%. With a square or pulse-width modulated input voltage, a magnetic amplifier blocks a portion of this input waveform, allowing just enough to pass to provide a regulated output. With the UC3838/A, only the magnetic amplifier coil, three diodes, and an output L-C filter are necessary to implement a complete closed-loop regulator.

BLOCK DIAGRAM



AVAILABLE OPTIONS

$T_A = T_J$	Packaged Devices		
	SOIC Wide (DW)	PDIP (N)	PLCC (Q)
–20°C to 85°C	UC2838DW	UC2838N	UC2838Q
	UC2838ADW	UC2838AN	UC2838AQ
0°C to 70°C	UC3838DW	UC3838N	UC3838Q
	UC3838ADW	UC3838AN	UC3838AQ

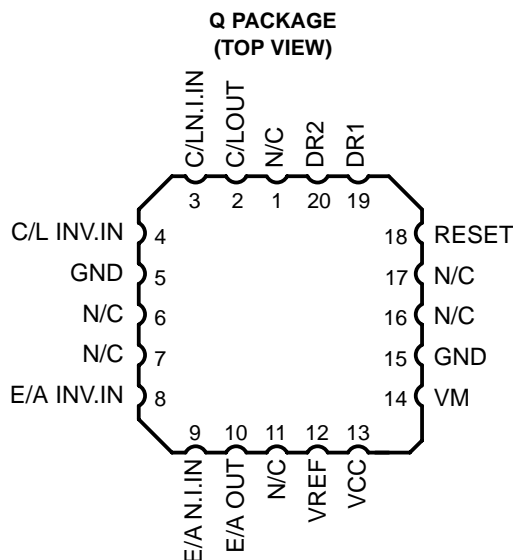
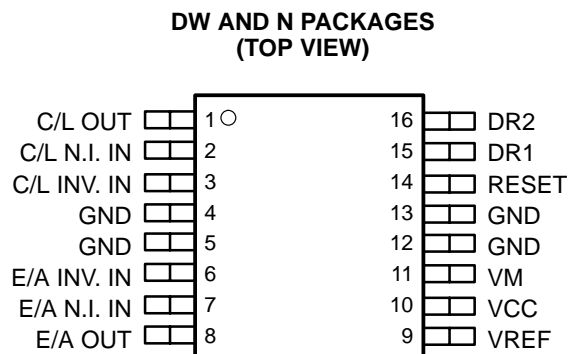
UC2838, UC2838A UC3838, UC3838A

SLUS221A – APRIL 2000 – REVISED MAY 2001

description (continued)

The UC3838/A contains a precision 2.5-V reference, two uncommitted high-gain operational amplifier and a high-gain PNP-equivalent current source which can deliver up to 100 mA of magnetic amplifier reset current and with -120-V capability.

These devices are available in a plastic batwing DIP (N), wide body SOIC (DW), and PLCC (Q) package for operation over a -20°C to 85°C temperature range.



absolute maximum ratings over operating free-air temperature (unless otherwise noted)†

Supply voltage, V_{CC}	40 V
Magnetic amplifier source voltage, VM	40 V
Reset output voltage, VR	-120 V
Total current source voltage, VM – VR	-140 V
Amplifier input range	-0.3 V to VCC
Reset input current, DR1 and DR2	-10 mA
Power dissipation at $T_A = 25^{\circ}\text{C}$	
Q, N, DW package	2 W
Power dissipation at T (leads/case) = 25°C	
Q, N, DW package	5 W
Operating temperature range, T_J	-55°C to 125°C
Storage temperature range, T_{stg}	-65°C to 150°C
Lead temperature (soldering, 10 sec)	300°C

† Stresses beyond those listed under “absolute maximum ratings” may cause permanent damage to the device. These are stress ratings only, and functional operation of the device at these or any other conditions beyond those indicated under “recommended operating conditions” is not implied. Exposure to absolute-maximum-rated conditions for extended periods may affect device reliability.

‡ All voltages are with respect to ground pins. All currents are positive into the specified terminal. Consult packaging section of data book for thermal limitations and considerations of package.

electrical characteristics, $T_A = -20^{\circ}\text{C}$ to 85°C for the UC2838/A, and $T_A = 0^{\circ}\text{C}$ to 70°C for the UC3838/A, $V_{CC} = 20\text{ V}$, $V_M = 5\text{ V}$, $T_A = T_J$, (unless otherwise stated)

reference

PARAMETER	TEST CONDITIONS	UC2838/UC2838A			UC3838/UC3838A			UNITS
		MIN	TYP	MAX	MIN	TYP	MAX	
Supply current	$V_{CC} = V_M = 40\text{ V}$		4	8		4	8	mA
Reference output	$T_A = 25^{\circ}\text{C}$	2.47	2.50	2.53	2.45	2.50	2.55	V
Line regulation	$V_{CC} = 5\text{ V}$ to 30 V		1	5		1	10	mV
Load regulation	$I_O = 0\text{ mA}$ to -2 mA		5	20		5	20	mV
Short-circuit current	$V_{REF} = 0\text{ V}$		-30	-60		-30	-60	mA
Temperature stability	See Note 1		15	25		10	25	mV

NOTE: 1. These parameters are ensured by design but not 100% tested in production.

amplifier (each amplifier)

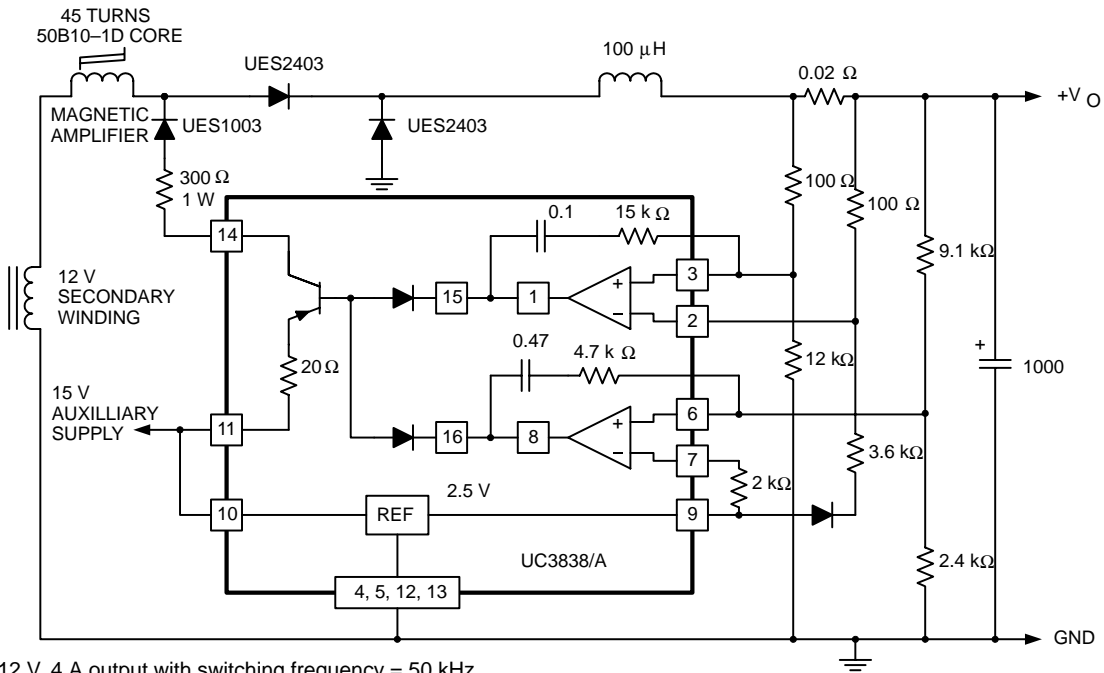
PARAMETER	TEST CONDITIONS	UC2838/UC2838A			UC3838/UC3838A			UNITS
		MIN	TYP	MAX	MIN	TYP	MAX	
Offset voltage	$V_{CM} = 2.5\text{ V}$			5			10	mV
Input bias current	$V_{IN} = 0\text{ V}$			-1			-1	μA
Input offset voltage				100			100	nA
Minimum output swing		0.4		18	0.4		18	V
Output sink current	$V_O = 5\text{ V}$	1	10	30	1	10	30	mA
Output source current	$V_O = 0\text{ V}$	-1	-10	-20	-1	-10	-20	mA
A_{VOL} (open loop gain)	$V_O = 1\text{ V}$ to 11 V	100	120		100	120		dB
C_{MRR} (common mode rejection ratio)	$V_{IN} = 1\text{ V}$ to 11 V	70	80		70	80		dB
PSRR (power supply rejection ratio)	$V_{CC} = 10\text{ V}$ to 20 V	70	100		70	100		dB
Gain bandwidth	See Note 1	0.6	0.8		0.6	0.8		MHz

NOTE: 1. These parameters are ensured by design but not 100% tested in production.

reset drive

PARAMETER	TEST CONDITIONS	UC2838/UC2838A			UC3838/UC3838A			UNITS
		MIN	TYP	MAX	MIN	TYP	MAX	
Input leakage	$V_{DR} = 40\text{ V}$			10			10	μA
Output leakage	$V_R = -120\text{ V}$			-100			-100	μA
Input current	$I_R = -50\text{ mA}$		-1	-2		-1	-2	mA
Maximum reset current	$I_{DR} = -3\text{ mA}$	-100	-120	-200	-100	-120	-200	mA
Transconductance	$I_R = -10\text{ mA}$ to -50 mA	0.03	0.042	0.055	0.03	0.042	0.055	A/V

typical application



NOTE: 12 V, 4 A output with switching frequency = 50 kHz.

APPLICATION INFORMATION

**GAIN MAGNITUDE/PHASE
 VS
 SIGNAL FREQUENCY**

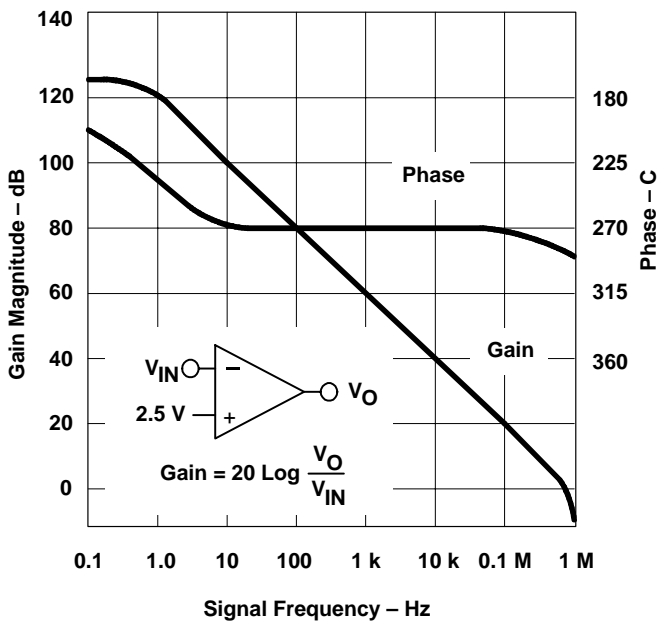


Figure 1.

**GAIN MAGNITUDE
 VS
 SIGNAL FREQUENCY**

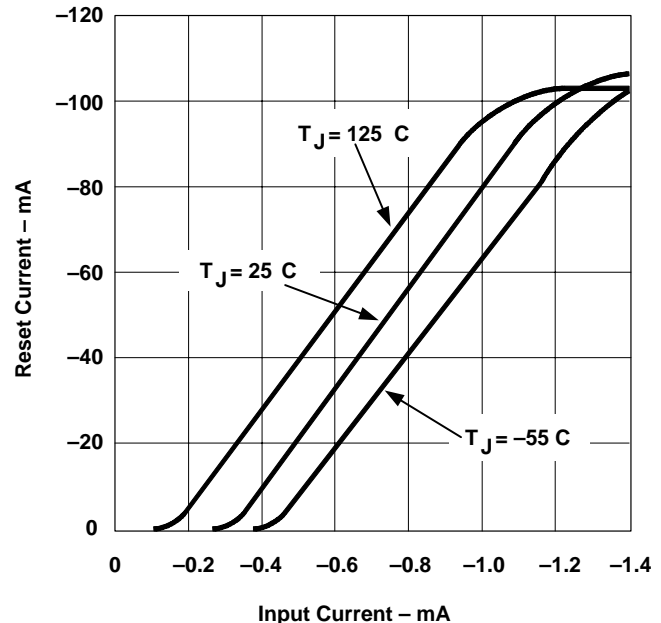


Figure 2.

APPLICATION INFORMATION

RESET CURRENT
vs
RESET VOLTAGE

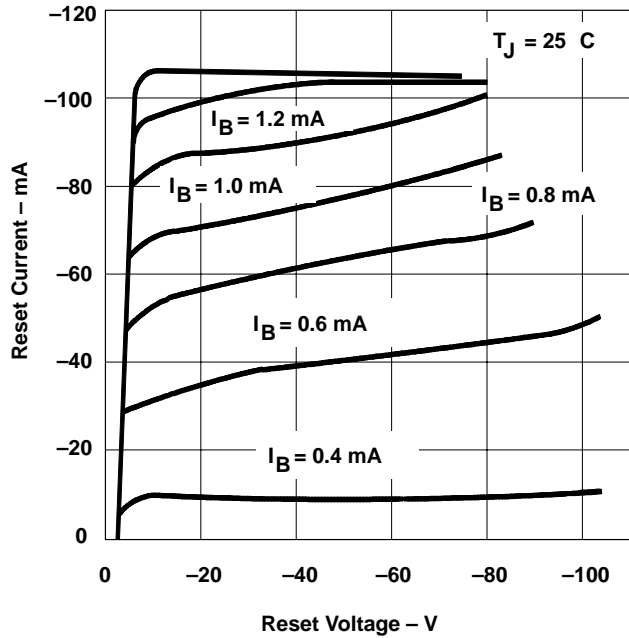


Figure 3.

GAIN MAGNITUDE/PHASE
vs
SIGNAL FREQUENCY

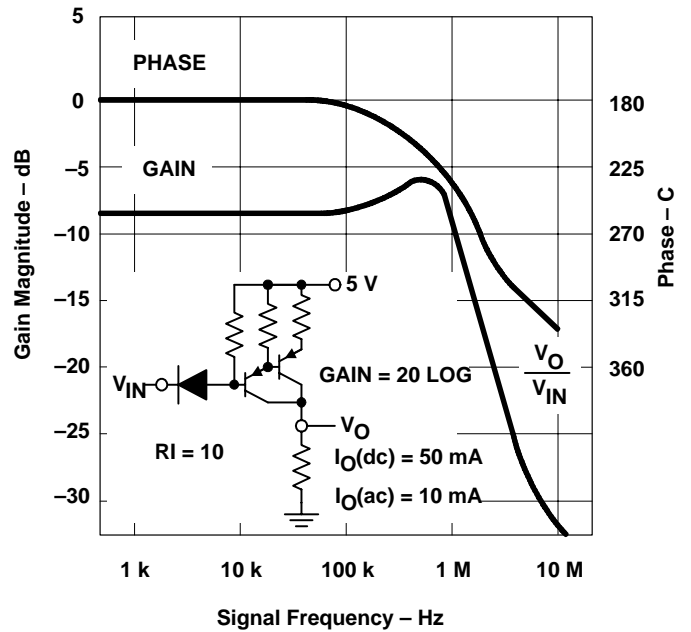


Figure 4.

RESET CURRENT
vs
INPUT CURRENT

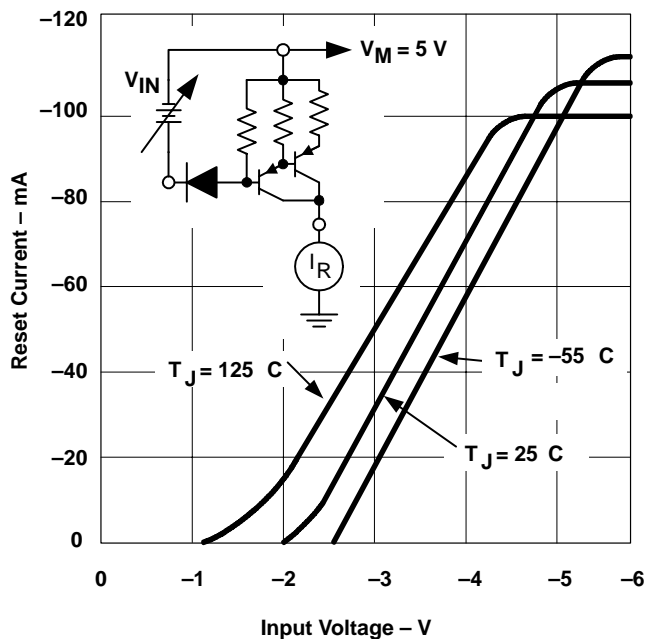


Figure 5.

REFERENCE VOLTAGE OUTPUT
vs
JUNCTION TEMPERATURE

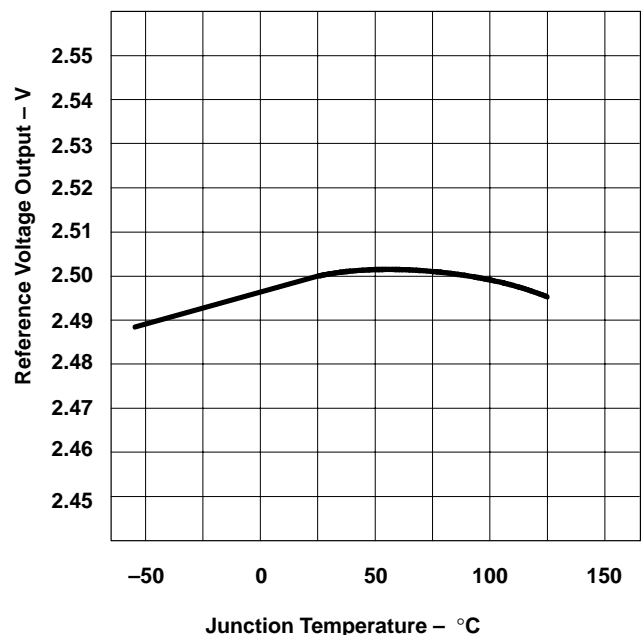


Figure 6.

PACKAGING INFORMATION

Orderable Device	Status ⁽¹⁾	Package Type	Package Drawing	Pins	Package Qty	Eco Plan ⁽²⁾	Lead/ Ball Finish	MSL Peak Temp ⁽³⁾	Samples (Requires Login)
UC2838AJ	NRND	CDIP	J	16		TBD	Call TI	Call TI	Samples Not Available
UC2838AN	OBSOLETE	PDIP	N	16		TBD	Call TI	Call TI	Replaced by UCC2583N
UC2838ANG4	OBSOLETE	PDIP	N	16		TBD	Call TI	Call TI	Replaced by UCC2583NG4
UC2838AQ	NRND	PLCC	FN	20		TBD	Call TI	Call TI	Samples Not Available
UC2838AQTR	OBSOLETE	PLCC	FN	20		TBD	Call TI	Call TI	Samples Not Available
UC3838ADW	OBSOLETE	SOIC	DW	16		TBD	Call TI	Call TI	Samples Not Available

⁽¹⁾ The marketing status values are defined as follows:

ACTIVE: Product device recommended for new designs.

LIFEBUY: TI has announced that the device will be discontinued, and a lifetime-buy period is in effect.

NRND: Not recommended for new designs. Device is in production to support existing customers, but TI does not recommend using this part in a new design.

PREVIEW: Device has been announced but is not in production. Samples may or may not be available.

OBSOLETE: TI has discontinued the production of the device.

⁽²⁾ Eco Plan - The planned eco-friendly classification: Pb-Free (RoHS), Pb-Free (RoHS Exempt), or Green (RoHS & no Sb/Br) - please check <http://www.ti.com/productcontent> for the latest availability information and additional product content details.

TBD: The Pb-Free/Green conversion plan has not been defined.

Pb-Free (RoHS): TI's terms "Lead-Free" or "Pb-Free" mean semiconductor products that are compatible with the current RoHS requirements for all 6 substances, including the requirement that lead not exceed 0.1% by weight in homogeneous materials. Where designed to be soldered at high temperatures, TI Pb-Free products are suitable for use in specified lead-free processes.

Pb-Free (RoHS Exempt): This component has a RoHS exemption for either 1) lead-based flip-chip solder bumps used between the die and package, or 2) lead-based die adhesive used between the die and leadframe. The component is otherwise considered Pb-Free (RoHS compatible) as defined above.

Green (RoHS & no Sb/Br): TI defines "Green" to mean Pb-Free (RoHS compatible), and free of Bromine (Br) and Antimony (Sb) based flame retardants (Br or Sb do not exceed 0.1% by weight in homogeneous material)

⁽³⁾ MSL, Peak Temp. -- The Moisture Sensitivity Level rating according to the JEDEC industry standard classifications, and peak solder temperature.

Important Information and Disclaimer: The information provided on this page represents TI's knowledge and belief as of the date that it is provided. TI bases its knowledge and belief on information provided by third parties, and makes no representation or warranty as to the accuracy of such information. Efforts are underway to better integrate information from third parties. TI has taken and continues to take reasonable steps to provide representative and accurate information but may not have conducted destructive testing or chemical analysis on incoming materials and chemicals. TI and TI suppliers consider certain information to be proprietary, and thus CAS numbers and other limited information may not be available for release.

In no event shall TI's liability arising out of such information exceed the total purchase price of the TI part(s) at issue in this document sold by TI to Customer on an annual basis.

OTHER QUALIFIED VERSIONS OF UC3838A :

- Military: [UC1838A](#)

NOTE: Qualified Version Definitions:

- Military - QML certified for Military and Defense Applications

J (R-GDIP-T**)

14 LEADS SHOWN

CERAMIC DUAL IN-LINE PACKAGE



DIM \ PINS **	14	16	18	20
A	0.300 (7,62) BSC	0.300 (7,62) BSC	0.300 (7,62) BSC	0.300 (7,62) BSC
B MAX	0.785 (19,94)	.840 (21,34)	0.960 (24,38)	1.060 (26,92)
B MIN	—	—	—	—
C MAX	0.300 (7,62)	0.300 (7,62)	0.310 (7,87)	0.300 (7,62)
C MIN	0.245 (6,22)	0.245 (6,22)	0.220 (5,59)	0.245 (6,22)



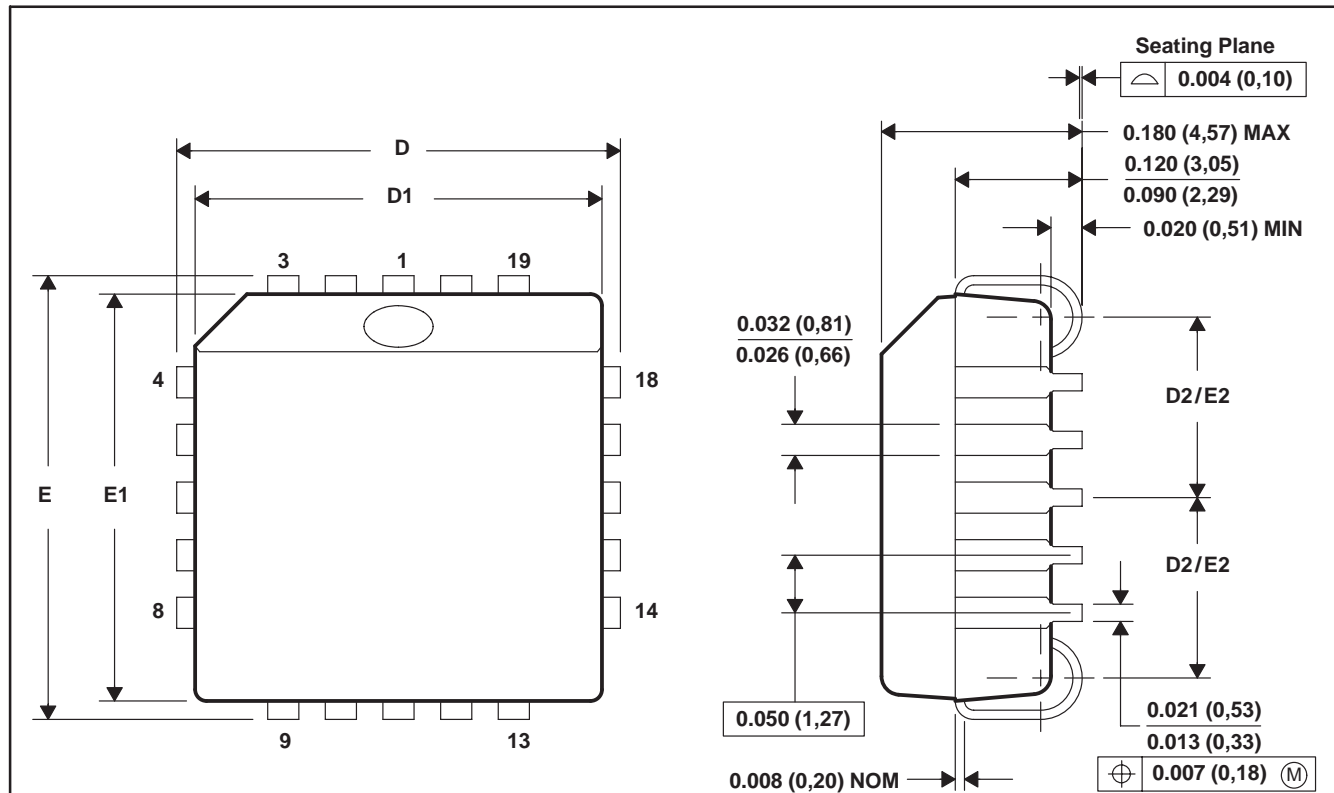
4040083/F 03/03

- NOTES:
- All linear dimensions are in inches (millimeters).
 - This drawing is subject to change without notice.
 - This package is hermetically sealed with a ceramic lid using glass frit.
 - Index point is provided on cap for terminal identification only on press ceramic glass frit seal only.
 - Falls within MIL STD 1835 GDIP1-T14, GDIP1-T16, GDIP1-T18 and GDIP1-T20.

FN (S-PQCC-J**)

PLASTIC J-LEADED CHIP CARRIER

20 PIN SHOWN



NO. OF PINS **	D/E		D1/E1		D2/E2	
	MIN	MAX	MIN	MAX	MIN	MAX
20	0.385 (9,78)	0.395 (10,03)	0.350 (8,89)	0.356 (9,04)	0.141 (3,58)	0.169 (4,29)
28	0.485 (12,32)	0.495 (12,57)	0.450 (11,43)	0.456 (11,58)	0.191 (4,85)	0.219 (5,56)
44	0.685 (17,40)	0.695 (17,65)	0.650 (16,51)	0.656 (16,66)	0.291 (7,39)	0.319 (8,10)
52	0.785 (19,94)	0.795 (20,19)	0.750 (19,05)	0.756 (19,20)	0.341 (8,66)	0.369 (9,37)
68	0.985 (25,02)	0.995 (25,27)	0.950 (24,13)	0.958 (24,33)	0.441 (11,20)	0.469 (11,91)
84	1.185 (30,10)	1.195 (30,35)	1.150 (29,21)	1.158 (29,41)	0.541 (13,74)	0.569 (14,45)

4040005/B 03/95

- NOTES: A. All linear dimensions are in inches (millimeters).
 B. This drawing is subject to change without notice.
 C. Falls within JEDEC MS-018

DW (R-PDSO-G16)

PLASTIC SMALL OUTLINE



- NOTES:
- All linear dimensions are in inches (millimeters). Dimensioning and tolerancing per ASME Y14.5M-1994.
 - This drawing is subject to change without notice.
 - Body dimensions do not include mold flash or protrusion not to exceed 0.006 (0,15).
 - Falls within JEDEC MS-013 variation AA.

IMPORTANT NOTICE

Texas Instruments Incorporated and its subsidiaries (TI) reserve the right to make corrections, enhancements, improvements and other changes to its semiconductor products and services per JESD46, latest issue, and to discontinue any product or service per JESD48, latest issue. Buyers should obtain the latest relevant information before placing orders and should verify that such information is current and complete. All semiconductor products (also referred to herein as "components") are sold subject to TI's terms and conditions of sale supplied at the time of order acknowledgment.

TI warrants performance of its components to the specifications applicable at the time of sale, in accordance with the warranty in TI's terms and conditions of sale of semiconductor products. Testing and other quality control techniques are used to the extent TI deems necessary to support this warranty. Except where mandated by applicable law, testing of all parameters of each component is not necessarily performed.

TI assumes no liability for applications assistance or the design of Buyers' products. Buyers are responsible for their products and applications using TI components. To minimize the risks associated with Buyers' products and applications, Buyers should provide adequate design and operating safeguards.

TI does not warrant or represent that any license, either express or implied, is granted under any patent right, copyright, mask work right, or other intellectual property right relating to any combination, machine, or process in which TI components or services are used. Information published by TI regarding third-party products or services does not constitute a license to use such products or services or a warranty or endorsement thereof. Use of such information may require a license from a third party under the patents or other intellectual property of the third party, or a license from TI under the patents or other intellectual property of TI.

Reproduction of significant portions of TI information in TI data books or data sheets is permissible only if reproduction is without alteration and is accompanied by all associated warranties, conditions, limitations, and notices. TI is not responsible or liable for such altered documentation. Information of third parties may be subject to additional restrictions.

Resale of TI components or services with statements different from or beyond the parameters stated by TI for that component or service voids all express and any implied warranties for the associated TI component or service and is an unfair and deceptive business practice. TI is not responsible or liable for any such statements.

Buyer acknowledges and agrees that it is solely responsible for compliance with all legal, regulatory and safety-related requirements concerning its products, and any use of TI components in its applications, notwithstanding any applications-related information or support that may be provided by TI. Buyer represents and agrees that it has all the necessary expertise to create and implement safeguards which anticipate dangerous consequences of failures, monitor failures and their consequences, lessen the likelihood of failures that might cause harm and take appropriate remedial actions. Buyer will fully indemnify TI and its representatives against any damages arising out of the use of any TI components in safety-critical applications.

In some cases, TI components may be promoted specifically to facilitate safety-related applications. With such components, TI's goal is to help enable customers to design and create their own end-product solutions that meet applicable functional safety standards and requirements. Nonetheless, such components are subject to these terms.

No TI components are authorized for use in FDA Class III (or similar life-critical medical equipment) unless authorized officers of the parties have executed a special agreement specifically governing such use.

Only those TI components which TI has specifically designated as military grade or "enhanced plastic" are designed and intended for use in military/aerospace applications or environments. Buyer acknowledges and agrees that any military or aerospace use of TI components which have **not** been so designated is solely at the Buyer's risk, and that Buyer is solely responsible for compliance with all legal and regulatory requirements in connection with such use.

TI has specifically designated certain components as meeting ISO/TS16949 requirements, mainly for automotive use. In any case of use of non-designated products, TI will not be responsible for any failure to meet ISO/TS16949.

Products

Audio	www.ti.com/audio
Amplifiers	amplifier.ti.com
Data Converters	dataconverter.ti.com
DLP® Products	www.dlp.com
DSP	dsp.ti.com
Clocks and Timers	www.ti.com/clocks
Interface	interface.ti.com
Logic	logic.ti.com
Power Mgmt	power.ti.com
Microcontrollers	microcontroller.ti.com
RFID	www.ti-rfid.com
OMAP Applications Processors	www.ti.com/omap
Wireless Connectivity	www.ti.com/wirelessconnectivity

Applications

Automotive and Transportation	www.ti.com/automotive
Communications and Telecom	www.ti.com/communications
Computers and Peripherals	www.ti.com/computers
Consumer Electronics	www.ti.com/consumer-apps
Energy and Lighting	www.ti.com/energy
Industrial	www.ti.com/industrial
Medical	www.ti.com/medical
Security	www.ti.com/security
Space, Avionics and Defense	www.ti.com/space-avionics-defense
Video and Imaging	www.ti.com/video

TI E2E Community

e2e.ti.com