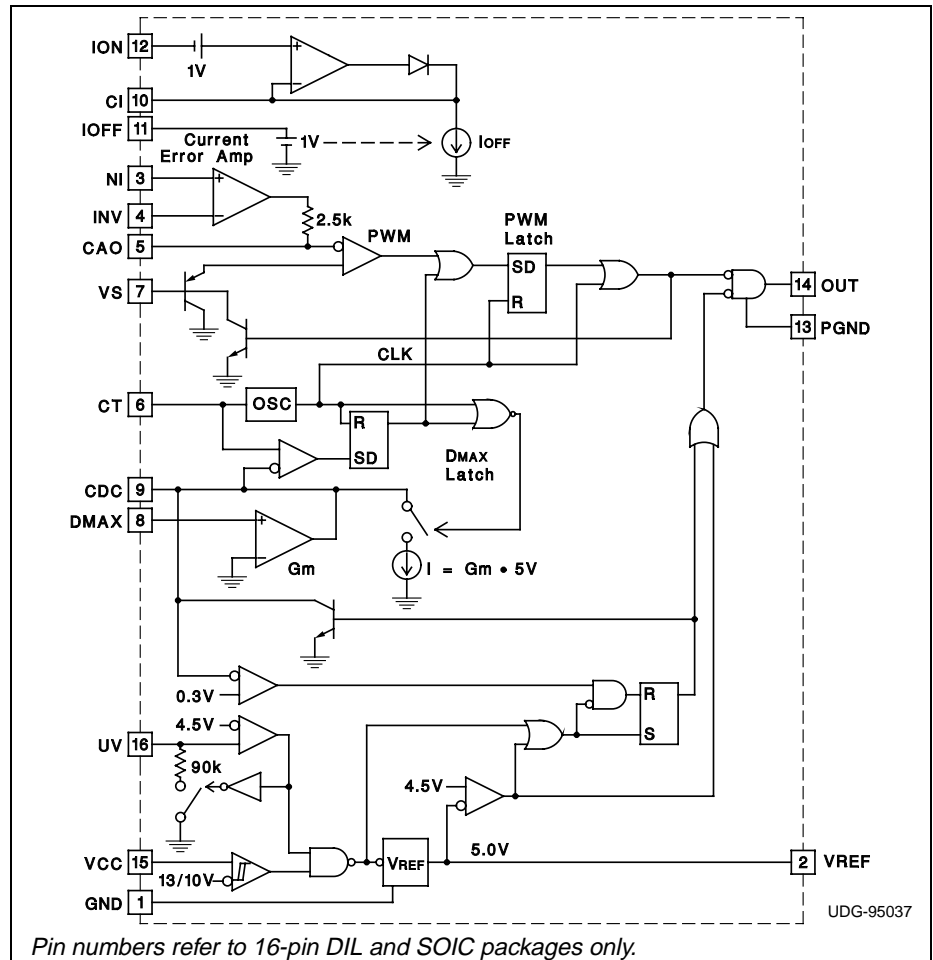


# Primary Side PWM Controller

## FEATURES

- Primary Side Voltage Feed-forward Control of Isolated Power Supplies
- Accurate DC Control of Secondary Side Short Circuit Current using Primary Side Average Current Mode Control
- Accurate Programmable Maximum Duty Cycle Clamp
- Maximum Volt-Second Product Clamp to Prevent Core Saturation
- Practical Operation Up to 1MHz
- High Current (2A Pk) Totem Pole Output Driver
- Wide Bandwidth (8MHz) Current Error Amplifier
- Undervoltage Lockout Monitors VCC, VIN and VREF
- Output Active Low During UVLO
- Low Startup Current (500µA)

## BLOCK DIAGRAM



## DESCRIPTION

The UC3548 family of PWM control ICs uses voltage feed-forward control to regulate the output voltage of isolated power supplies. The UC3548 resides on the primary side and has the necessary features to accurately control secondary side short circuit current with average current mode control techniques. The UC3548 can be used to control a wide variety of converter topologies.

In addition to the basic functions required for pulse width modulation, the UC3548 implements a patented technique of sensing secondary current from the primary side in an isolated buck derived converter. A current waveform synthesizer monitors switch current and simulates the inductor current downslope so that the complete current waveform can be constructed on the primary side without actual secondary side measurement. This information on the primary side is used by an average current mode control circuit to accurately limit maximum output current.

The UC3548 circuitry includes a precision reference, a wide bandwidth error amplifier for average current control, an oscillator to generate the system clock, latching PWM comparator and logic circuits, and a high current output

driver. The current error amplifier easily interfaces with an optoisolator from a secondary side voltage sensing circuit.

A full featured undervoltage lockout (UVLO) circuit is contained in the UC3548. UVLO monitors the supply voltage to the controller (VCC), the reference voltage (VREF), and the input line voltage (VIN). All three must be good before soft start commences. If either VCC or VIN is low, the supply current required by the chip is only 500µA and the output is actively held low.

Two on board protection features set controlled limits to prevent transformer core saturation. Input voltage is monitored and pulse width is constrained to limit the maximum volt-second product applied to the transformer. A unique patented technique limits maximum duty cycle within 3% of a user programmed value.

These two features allow for more optimal use of transformers and switches, resulting in reduced system size and cost.

Both patents embodied in the UC3548 belong to Lambda Electronics Incorporated and are licensed for use in applications employing these devices.

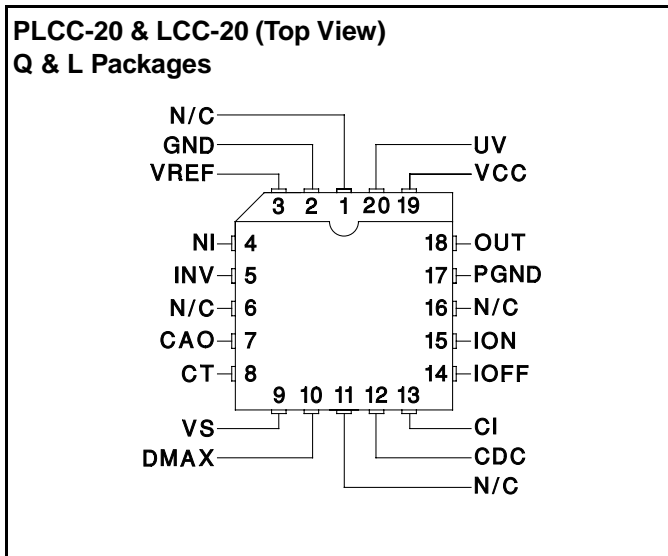
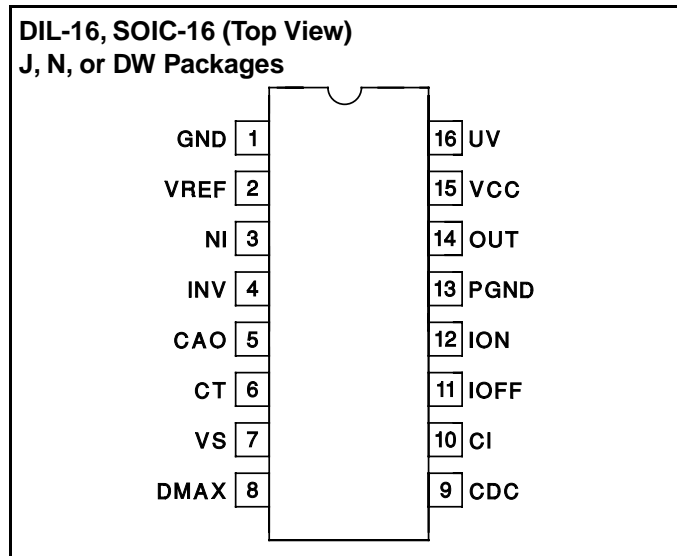
**ABSOLUTE MAXIMUM RATINGS**

Supply Voltage (Pin 15)	22V
Output Current, Source or Sink (Pin 14)	
DC	0.5A
Pulse (0.5μs)	2.2A
Power Ground to Ground (Pin 1 to Pin 13)	±0.2V
Analog Input Voltages	
(Pins 3, 4, 7, 8, 12, 16)	-0.3 to 7V
Analog Input Currents, Source or Sink	
(Pins 3, 4, 7, 8, 11, 12, 16)	1mA

Analog Output Currents, Source or Sink (Pins 5 & 10)	5mA
Power Dissipation at TA = 60°C	1W
Storage Temperature Range	-65°C to +150°C
Lead Temperature (Soldering 10 seconds)	+300°C

*Notes: All voltages are with respect to ground (DIL and SOIC pin 1). Currents are positive into the specified terminal. Pin numbers refer to the 16 pin DIL and SOIC packages. Consult Packaging Section of Databook for thermal limitations and considerations of packages.*

**CONNECTION DIAGRAMS**



**ELECTRICAL CHARACTERISTICS** Unless otherwise stated, all specifications are over the junction temperature range of -55°C to +125°C for the UC1548, -40°C to +85°C for the UC2548, and 0°C to +70°C for the UC3548. Test conditions are: VCC = 12V, CT = 400pF, CI = 100pF, IOFF = 100μA, CDC = 100nF, Cvs = 100pF, and Ivs = 400μA, TA = TJ.

PARAMETER	TEST CONDITIONS	MIN	TYP	MAX	UNITS
<b>Real Time Current Waveform Synthesizer</b>					
<b>Ion Amplifier</b>					
Offset Voltage		0.95	1	1.05	V
Slew Rate (Note 1)		20	25		V/μs
lib			-2	-20	μA
<b>IOFF Current Mirror</b>					
Input Voltage		0.95	1	1.05	V
Current Gain		0.9	1	1.1	A/A
<b>Current Error Amplifier</b>					
AVOL		60	100		dB
Vio	12V ≤ VCC ≤ 20V, 0V ≤ VCM ≤ 5V			10	mV
lib			-0.5	-3	μA
Voh	Io = -200μA	3.1	3.3	3.5	V
Vol	Io = 200μA		0.3	0.6	V
Source Current	Vo = 1V	1.4	1.6	2.0	mA
GBW Product	f = 200kHz	5	8		MHz
Slew Rate (Note 1)		8	10		V/μs
<b>Oscillator</b>					
Frequency	TA = 25°C	240	250	260	kHz
		235		265	kHz

**ELECTRICAL CHARACTERISTICS (cont.):** Unless otherwise stated, all specifications are over the junction temperature range of  $-55^{\circ}\text{C}$  to  $+125^{\circ}\text{C}$  for the UC1548,  $-40^{\circ}\text{C}$  to  $+85^{\circ}\text{C}$  for the UC2548, and  $0^{\circ}\text{C}$  to  $+70^{\circ}\text{C}$  for the UC3548. Test conditions are:  $V_{CC} = 12\text{V}$ ,  $C_T = 400\text{pF}$ ,  $C_I = 100\text{pF}$ ,  $I_{OFF} = 100\mu\text{A}$ ,  $C_{DC} = 100\text{nF}$ ,  $C_{VS} = 100\text{pF}$ , and  $I_{VS} = 400\mu\text{A}$ ,  $T_A = T_J$ .

PARAMETER	TEST CONDITIONS	MIN	TYP	MAX	UNITS
<b>Duty Cycle Clamp</b>					
Max Duty Cycle	$V(D_{MAX}) = 0.75 \cdot V_{REF}$	73.5	76.5	79.5	%
<b>VCC Comparator</b>					
Turn-on Threshold			13	14	V
Turn-off Threshold		9	10		V
Hysteresis		2.5	3	3.5	V
<b>UV Comparator</b>					
Turn-on Threshold		4.1	4.35	4.6	V
RHYSTERESIS	$V_{UV} = 4.2\text{V}$	77	90	103	$k\Omega$
<b>Reference</b>					
VREF	$T_A = 25^{\circ}\text{C}$	4.95	5	5.05	V
	$0 < I_O < 10\text{mA}$ , $12 < V_{CC} < 20$	4.93		5.07	V
Line Regulation	$12\text{V} < V_{CC} < 20\text{V}$		4	15	mV
Load Regulation	$0 < I_O < 10\text{mA}$		3	15	mV
Short Circuit Current	$V_{REF} = 0\text{V}$	30	50	70	mA
<b>Output Stage</b>					
Rise & Fall Time (Note 1)	$C_I = 1\text{nF}$		20	45	ns
Output Low Saturation	$I_O = 20\text{mA}$		0.25	0.4	V
	$I_O = 200\text{mA}$		1.2	2.2	V
Output High Saturation	$I_O = -200\text{mA}$		2.0	3.0	V
UVLO Output Low Saturation	$I_O = 20\text{mA}$		0.8	1.2	V
<b>Icc</b>					
I <sub>START</sub>	$V_{CC} = 12\text{V}$		0.2	0.4	mA
I <sub>CC</sub> (pre-start)	$V_{CC} = 15\text{V}$ , $V(UV) = 0$		0.5	1	mA
I <sub>CC</sub> (run)			22	26	mA

Note 1: Guaranteed by design. Not 100% tested in production.

## PIN DESCRIPTIONS

**CAO:** Output of the current error amplifier. Also the resistor load for the collector of an optocoupler.

**CDC:** Connect a charge balance integration capacitor from CDC to GND to achieve an accurate duty cycle clamp. This capacitor also sets the soft start time.

**CI:** Output of the inductor current waveform synthesizer. Requires a capacitor to ground.

**CT:** A capacitor from CT to GND sets the oscillator frequency.

**DMAX:** Programs maximum duty cycle with a resistive divider from VREF to DMAX to GND.

**GND:** Signal ground.

**INV:** Inverting input of the current error amplifier.

**IOFF:** Programs the discharge slope of the capacitor on CI to emulate the down slope of the inductor current waveform.

**ION:** Input pin to inductor current waveform synthesizer. Apply a voltage proportional to switch current to this pin.

**NI:** Noninverting input of the current error amplifier.

**OUT:** Output driver for the gate of a power FET.

**PGND:** Power ground pin for the output driver. This ground circuit should be connected to GND at a single point.

**UV:** Line voltage sense pin to insure the chip only operates with sufficient line voltage. Program with a resistive divider from the converter input voltage to UV to GND.

**VCC:** Chip supply voltage. Bypass with a  $1\mu\text{F}$  ceramic capacitor to PGND.

**VREF:** Precision voltage reference. Bypass with a  $1\mu\text{F}$  ceramic capacitor to GND.

**VS:** Volt second clamp programming pin and feedforward ramp waveform for the pulse width modulator. Connect a resistor to the input line voltage and a capacitor to GND.

## UNDERVOLTAGE LOCKOUT

The undervoltage lockout block diagram is shown in Figure 1. The VCC comparator monitors chip supply voltage. Hysteretic thresholds are set at 13V and 10V to facilitate off-line applications. If the VCC comparator is low, ICC is low (<500µA) and the output is low.

The UV comparator monitors input line voltage (VIN). A pair of resistors divides the input line to UV. Hysteretic input line thresholds are programmed by Rv1 and Rv2. The thresholds are

$$V_{IN(on)} = 4.35V \cdot (1 + R_{v1}/R_{v2'}) \text{ and}$$

$$V_{IN(off)} = 4.35V \cdot (1 + R_{v1}/R_{v2}) \text{ where}$$

$$R_{v2'} = R_{v2} \parallel 90k.$$

The resulting hysteresis is

$$V_{IN(hys)} = 4.35V \cdot R_{v1} / 90k.$$

When the UV comparator is low, ICC is low (<500µA) and the output is low.

When both the UV and VCC comparators are high, the internal bias circuitry for the remainder of the chip is activated. The CDC pin (see discussion on Maximum Duty Cycle Control and Soft Start) and the Output are held low until VREF exceeds the 4.5V threshold of the VREF comparator. When VREF is good, control of the output driver is transferred to the PWM circuitry and CDC is allowed to charge.

If any of the three UVLO comparators go low, the UVLO latch is set, the output is held low, and CDC is discharged. This state will be maintained until all three comparators are high and the CDC pin is fully discharged.

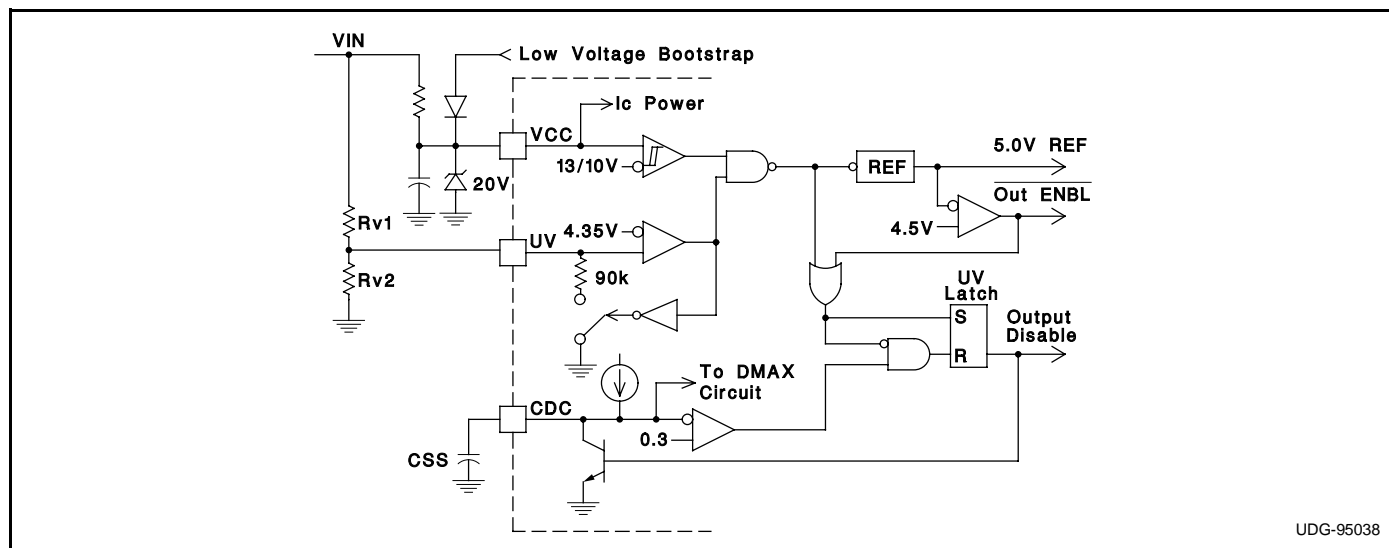


Figure 1: Undervoltage Lockout

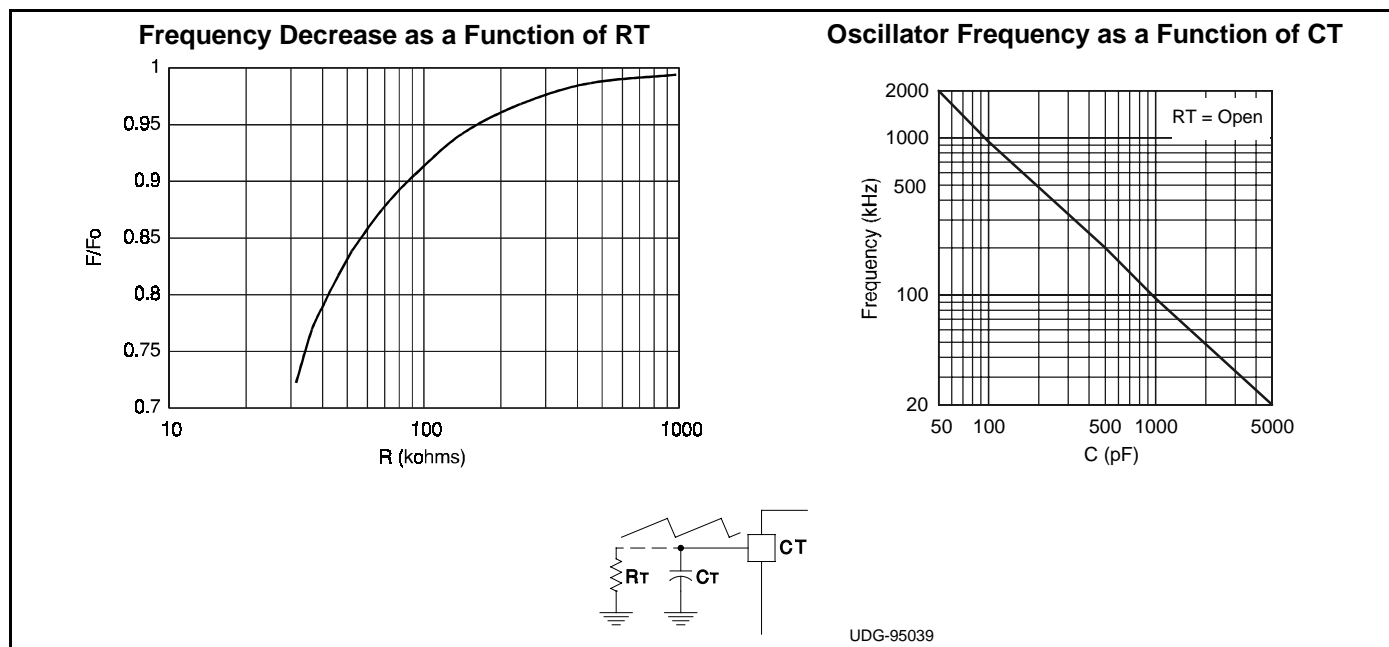


Figure 2: Oscillator Frequency

## OSCILLATOR

A capacitor from the CT pin to GND programs oscillator frequency, as shown in Figure 2. Frequency is determined by:

$$F = 1 / (10k \cdot CT).$$

The sawtooth wave shape is generated by a charging current of  $200\mu\text{A}$  and a discharge current of  $1800\mu\text{A}$ . The discharge time of the sawtooth is guaranteed dead time

for the output driver. If the maximum duty cycle control is defeated by connecting DMAX to VREF, the maximum duty cycle is limited by the oscillator to 90%. If an adjustment is required, an additional trim resistor  $R_T$  from CT to ground can be used to adjust the oscillator frequency.  $R_T$  should not be less than  $40k\Omega$ . This will allow up to a 22% decrease in frequency.

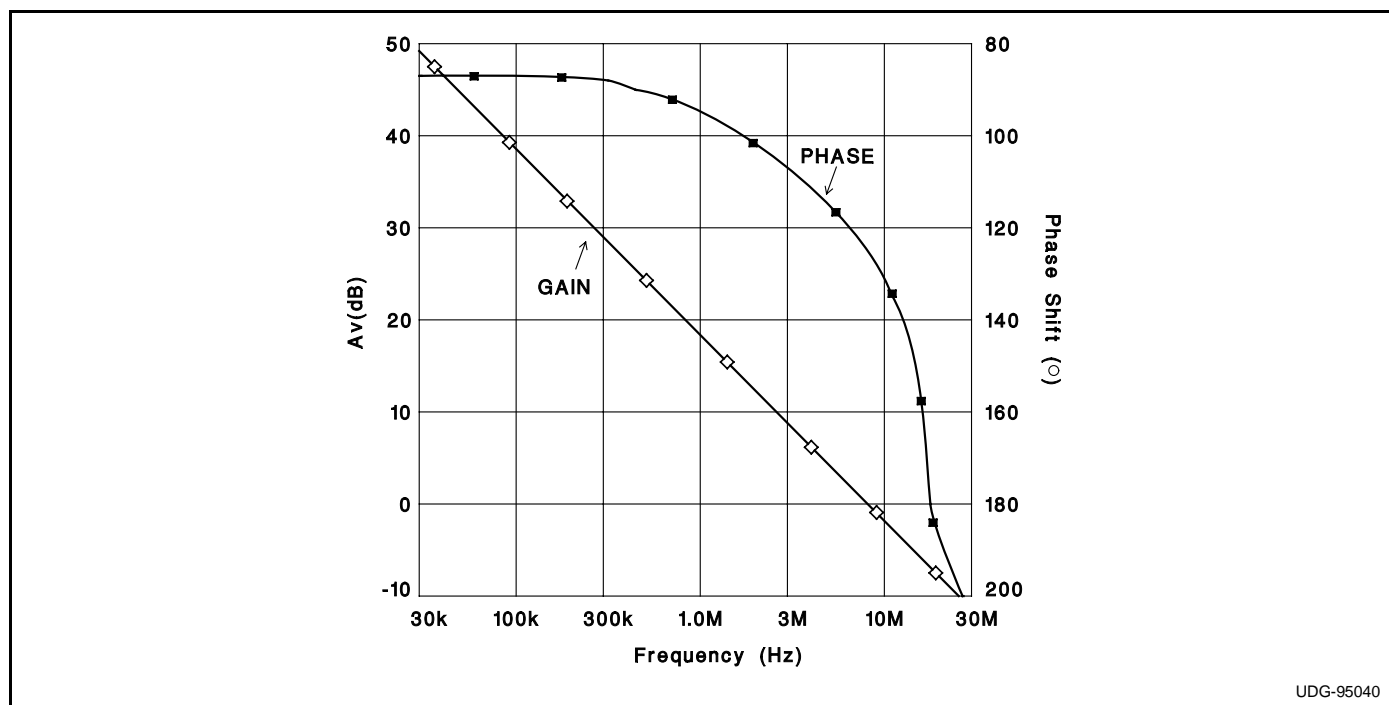


Figure 3: Error Amplifier Gain and Phase Response over Frequency

## INDUCTOR CURRENT WAVEFORM SYNTHESIZER

Average current mode control is a very useful technique to control the value of any current within a switching converter. Input current, output inductor current, switch current, diode current or almost any other current can be controlled. In order to implement average current mode control, the value of the current must be explicitly known at all times. To control output inductor current ( $I_L$ ) in a buck derived isolated converter, switch current provides inductor current information, but only during the on time of the switch. During the off time, switch current drops abruptly to zero, but the inductor current actually diminishes with a slope  $dI_L/dt = -V_o/L$ . This down slope must be synthesized in some manner on the primary side to provide the entire inductor current waveform for the control circuit.

The patented current waveform synthesizer (Figure 4) consists of a unidirectional voltage follower which forces the voltage on capacitor  $C_I$  to follow the on time switch current waveform. A programmable discharge current synthesizes the off time portion of the waveform.  $I_{ON}$  is

the input to the follower. The discharge current is programmed at  $I_{OFF}$ .

The follower has a one volt offset, so that zero current corresponds to one volt at  $C_I$ . The best utilization of the UC3548 is to translate maximum average inductor current to a 4 volt signal level. Given  $N$  and  $N_s$  (the turns ratio of the power and current sense transformers respectively), proper scaling of  $I_L$  to  $V(C_I)$  requires a sense resistor  $R_s$  as calculated from:

$$R_s = 4V \cdot N_s \cdot N / I_L(\text{max}).$$

Restated, the maximum average inductor current will be limited to:

$$I_L(\text{max}) = 4V \cdot N_s \cdot N / R_s.$$

$I_{OFF}$  and  $C_I$  need to be chosen so that the ratio of  $dV(C_I)/dt$  to  $dI_L/dt$  is the same during switch off time as on time. Recommended nominal off current is  $100\mu\text{A}$ . This requires

$$C_I = (100\mu\text{A} \cdot N \cdot N_s \cdot L) / (R_s \cdot V_o(\text{nom}))$$

where  $L$  is the output inductor value and  $V_o(\text{nom})$  is the converter regulated output voltage.

**INDUCTOR CURRENT WAVEFORM SYNTHESIZER (cont.)**

There are several methods to program IOFF. If accurate maximum current control is required, IOFF must track output voltage. The method shown in Figure 4 derives a voltage proportional to  $V_{IN} \cdot D$  (where  $D$  = duty cycle). In a buck converter, output voltage is proportional to  $V_{IN} \cdot D$ . A resistively loaded diode connection to the bootstrap winding yields a square wave whose amplitude is proportional to  $V_{IN}$  and is duty cycle modulated by the control circuit. Averaging this waveform with a filter generates a primary side replica of secondary regulated  $V_o$ . A single pole filter is shown, but in practice a two or three pole filter provides better transient response. Filtered voltage is converted by ROFF to a current to the IOFF pin to control  $C_I$  downslope.

If accurate system maximum current is not a critical requirement, Figure 5 shows the simplest method of downslope generation: a single resistor ( $R_{OFF} = 40k$ ) from IOFF to VREF. The discharge current is then  $100\mu A$ . The disadvantage to this approach is that the synthesizer continues to generate a down slope when the switch is off

even during short circuit conditions. Actual inductor downslope is closer to zero during a short circuit. The penalty is that the average current is understated by an amount approximately equal to the nominal inductor ripple current. Output short circuit is therefore higher than the designed maximum output current.

A third method of generating IOFF is to add a second winding to the output inductor core (Figure 6). When the power switch is off and inductor current flows in the free wheeling diode, the voltage across the inductor is equal to the output voltage plus the diode drop. This voltage is then transformed by the second winding to the primary side of the converter. The advantages to this approach are its inherent accuracy and bandwidth. Winding the second coil on the output inductor core while maintaining the required isolation makes this a more costly solution. In the example,  $R_{OFF} = V_o / 100\mu A$ . The  $4 \cdot R_{OFF}$  resistor is added to compensate the one volt input level of the IOFF pin. Without this compensation, a minor current foldback behavior will be observed.

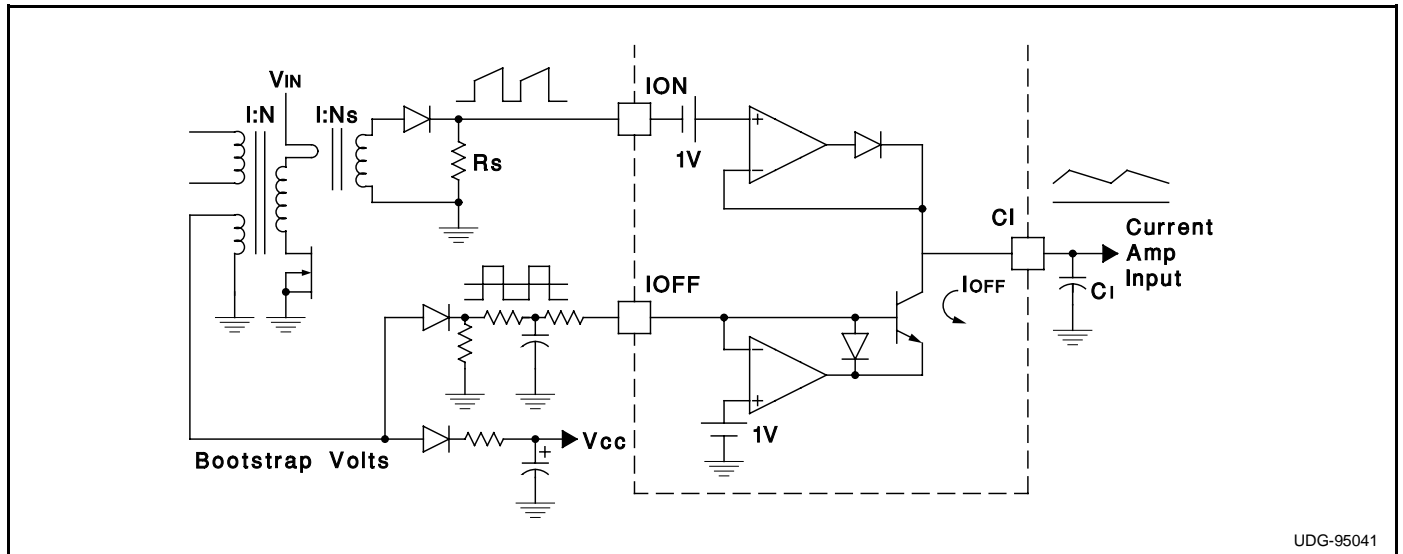


Figure 4: Inductor Current Waveform Synthesizer

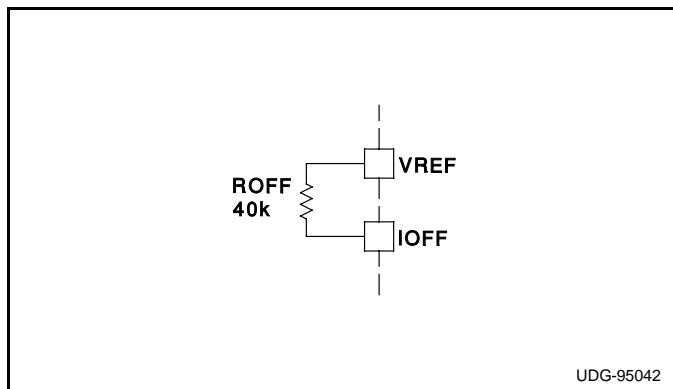


Figure 5: Fixed IOFF

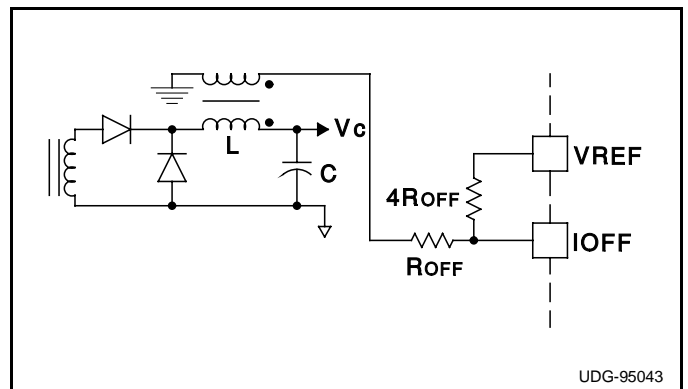


Figure 6: Second Inductor Winding Generation of IOFF

## FEED FORWARD PULSE WIDTH MODULATION

Pulse width modulation is achieved by comparing the output of the current error amplifier to the feed forward ramp generated at VS (Figure 7). The charge slope of the ramp is determined by a resistor (RVS) from VS to VIN and a capacitor (CVS) from VS to GND. In the event that CAO is at its maximum voltage, typically 3.3V, the UC3548 will limit the power stage to a volt-second product of:

$$V_{IN} \cdot T_{ON(max)} = 3.3V \cdot R_{vs} \cdot C_{vs}$$

An isolated voltage control loop can be implemented with a secondary side reference, error amplifier and an optoisolator. The optoisolator can be used to override the current amplifier output which is current limited by a 2.5k resistor. In overcurrent situations, the voltage loop turns the optoisolator off and the current error amplifier then assumes duty cycle control resulting in accurately limited maximum output current.

## MAXIMUM DUTY CYCLE AND SOFT START

A patented technique is used to accurately program maximum duty cycle. Programming is accomplished by a divider from VREF to DMAX (Figure 7). The value programmed is:

$$D(max) = R_{d1} / (R_{d1} + R_{d2})$$

For proper operation, the integrating capacitor, CDC, should be larger than  $T(osc) / 80k$ , where  $T(osc)$  is the oscillator period. CDC also sets the soft start time constant, so values of CDC larger than minimum may be desired.

The soft start time constant is approximately:

$$T(ss) = 20k \cdot C_{dc}$$

## GROUND PLANES

The output driver on the UC3548 is capable of 2A peak currents. Careful layout is essential for correct operation of the chip. A ground plane must be employed (Figure 8). A unique section of the ground plane must be designated for high di/dt currents associated with the output stage. This point is the power ground to which the PGND pin is connected. Power ground can be separated from the rest of the ground plane and connected at a single point, although this is not strictly necessary if the high di/dt paths are well understood and accounted for. VCC should be bypassed directly to power ground with a good high frequency capacitor. The source of the power MOSFET should connect to power ground as should the return connection for input power to the system and the bulk input capacitor. The output should be clamped with a high current Schottky diode to both VCC and PGND. Nothing else should be connected to power ground.

VREF should be bypassed directly to the signal portion of the ground plane with a good high frequency capacitor. Low ESR/ESL ceramic 1µF capacitors are recommended for both VCC and VREF. The capacitors from CT, CDC, CI and VS should likewise be connected to the signal ground plane.

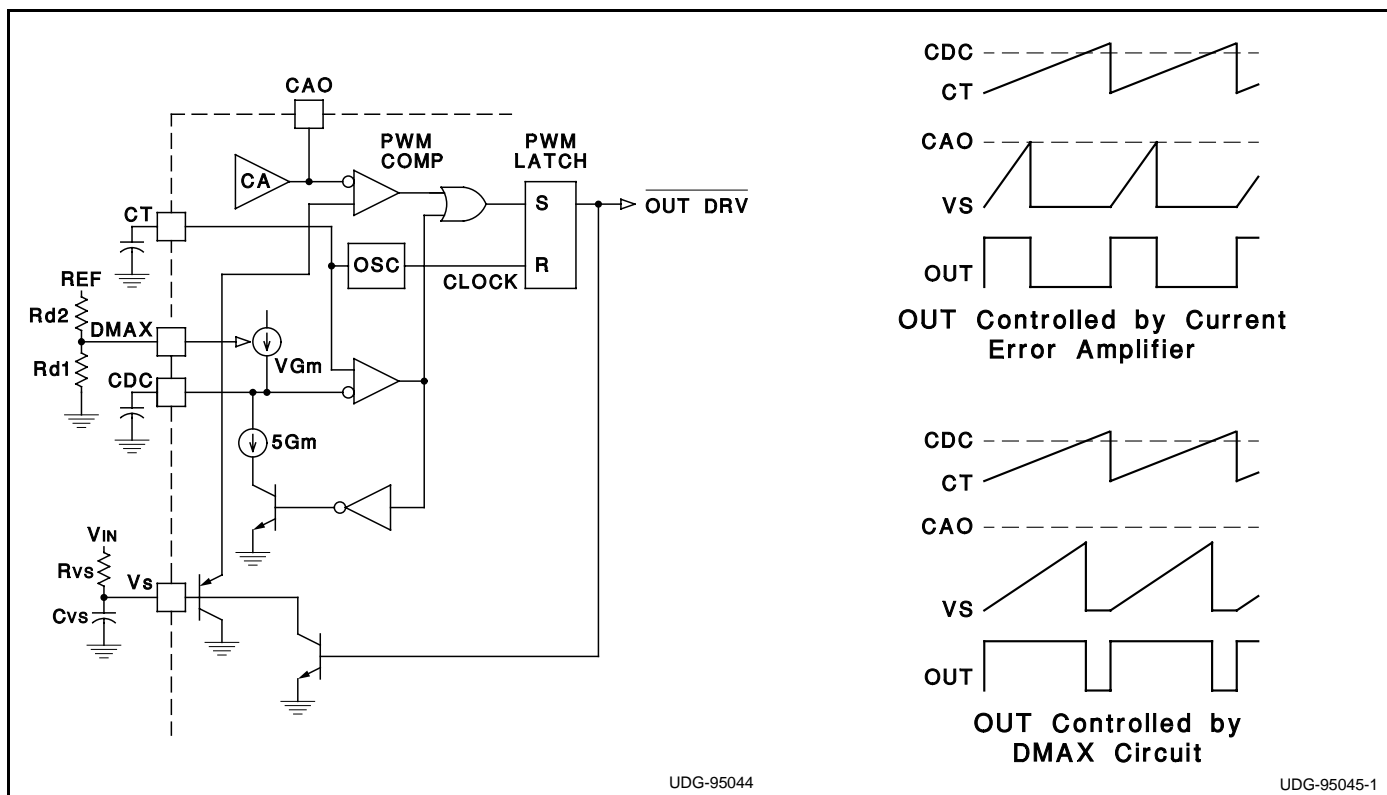


Figure 7: Duty Cycle Control

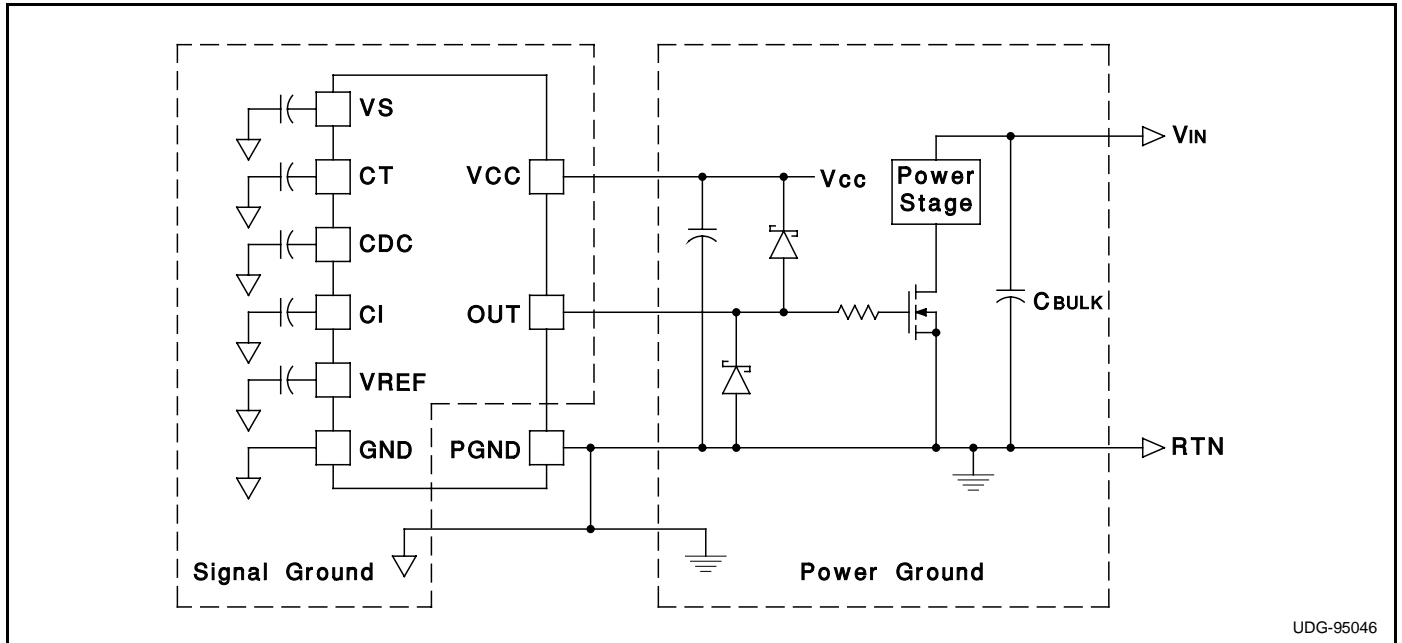


Figure 8: Ground Plane Considerations

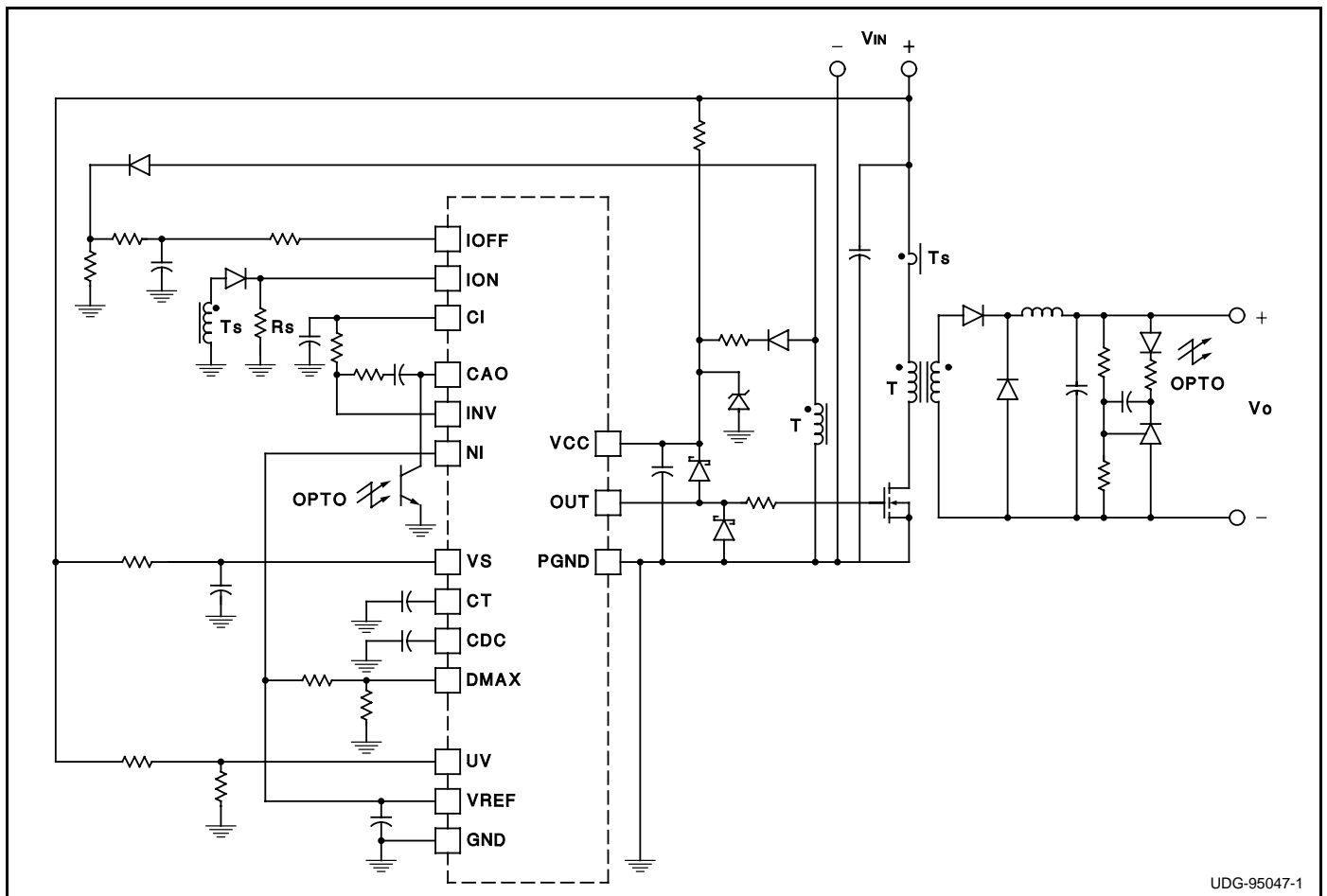


Figure 9: Typical Application - Voltage Feedforward Control Isolated Forward Converter with Average Current Limiting



**PACKAGING INFORMATION**

Orderable Device	Status <sup>(1)</sup>	Package Type	Package Drawing	Pins	Package Qty	Eco Plan <sup>(2)</sup>	Lead/Ball Finish	MSL Peak Temp <sup>(3)</sup>
UC3548N	OBSOLETE	PDIP	N	16		TBD	Call TI	Call TI

<sup>(1)</sup> The marketing status values are defined as follows:

**ACTIVE:** Product device recommended for new designs.

**LIFEBUY:** TI has announced that the device will be discontinued, and a lifetime-buy period is in effect.

**NRND:** Not recommended for new designs. Device is in production to support existing customers, but TI does not recommend using this part in a new design.

**PREVIEW:** Device has been announced but is not in production. Samples may or may not be available.

**OBSOLETE:** TI has discontinued the production of the device.

<sup>(2)</sup> Eco Plan - The planned eco-friendly classification: Pb-Free (RoHS), Pb-Free (RoHS Exempt), or Green (RoHS & no Sb/Br) - please check <http://www.ti.com/productcontent> for the latest availability information and additional product content details.

**TBD:** The Pb-Free/Green conversion plan has not been defined.

**Pb-Free (RoHS):** TI's terms "Lead-Free" or "Pb-Free" mean semiconductor products that are compatible with the current RoHS requirements for all 6 substances, including the requirement that lead not exceed 0.1% by weight in homogeneous materials. Where designed to be soldered at high temperatures, TI Pb-Free products are suitable for use in specified lead-free processes.

**Pb-Free (RoHS Exempt):** This component has a RoHS exemption for either 1) lead-based flip-chip solder bumps used between the die and package, or 2) lead-based die adhesive used between the die and leadframe. The component is otherwise considered Pb-Free (RoHS compatible) as defined above.

**Green (RoHS & no Sb/Br):** TI defines "Green" to mean Pb-Free (RoHS compatible), and free of Bromine (Br) and Antimony (Sb) based flame retardants (Br or Sb do not exceed 0.1% by weight in homogeneous material)

<sup>(3)</sup> MSL, Peak Temp. -- The Moisture Sensitivity Level rating according to the JEDEC industry standard classifications, and peak solder temperature.

**Important Information and Disclaimer:**The information provided on this page represents TI's knowledge and belief as of the date that it is provided. TI bases its knowledge and belief on information provided by third parties, and makes no representation or warranty as to the accuracy of such information. Efforts are underway to better integrate information from third parties. TI has taken and continues to take reasonable steps to provide representative and accurate information but may not have conducted destructive testing or chemical analysis on incoming materials and chemicals. TI and TI suppliers consider certain information to be proprietary, and thus CAS numbers and other limited information may not be available for release.

In no event shall TI's liability arising out of such information exceed the total purchase price of the TI part(s) at issue in this document sold by TI to Customer on an annual basis.

## IMPORTANT NOTICE

Texas Instruments Incorporated and its subsidiaries (TI) reserve the right to make corrections, modifications, enhancements, improvements, and other changes to its products and services at any time and to discontinue any product or service without notice. Customers should obtain the latest relevant information before placing orders and should verify that such information is current and complete. All products are sold subject to TI's terms and conditions of sale supplied at the time of order acknowledgment.

TI warrants performance of its hardware products to the specifications applicable at the time of sale in accordance with TI's standard warranty. Testing and other quality control techniques are used to the extent TI deems necessary to support this warranty. Except where mandated by government requirements, testing of all parameters of each product is not necessarily performed.

TI assumes no liability for applications assistance or customer product design. Customers are responsible for their products and applications using TI components. To minimize the risks associated with customer products and applications, customers should provide adequate design and operating safeguards.

TI does not warrant or represent that any license, either express or implied, is granted under any TI patent right, copyright, mask work right, or other TI intellectual property right relating to any combination, machine, or process in which TI products or services are used. Information published by TI regarding third-party products or services does not constitute a license from TI to use such products or services or a warranty or endorsement thereof. Use of such information may require a license from a third party under the patents or other intellectual property of the third party, or a license from TI under the patents or other intellectual property of TI.

Reproduction of TI information in TI data books or data sheets is permissible only if reproduction is without alteration and is accompanied by all associated warranties, conditions, limitations, and notices. Reproduction of this information with alteration is an unfair and deceptive business practice. TI is not responsible or liable for such altered documentation. Information of third parties may be subject to additional restrictions.

Resale of TI products or services with statements different from or beyond the parameters stated by TI for that product or service voids all express and any implied warranties for the associated TI product or service and is an unfair and deceptive business practice. TI is not responsible or liable for any such statements.

TI products are not authorized for use in safety-critical applications (such as life support) where a failure of the TI product would reasonably be expected to cause severe personal injury or death, unless officers of the parties have executed an agreement specifically governing such use. Buyers represent that they have all necessary expertise in the safety and regulatory ramifications of their applications, and acknowledge and agree that they are solely responsible for all legal, regulatory and safety-related requirements concerning their products and any use of TI products in such safety-critical applications, notwithstanding any applications-related information or support that may be provided by TI. Further, Buyers must fully indemnify TI and its representatives against any damages arising out of the use of TI products in such safety-critical applications.

TI products are neither designed nor intended for use in military/aerospace applications or environments unless the TI products are specifically designated by TI as military-grade or "enhanced plastic." Only products designated by TI as military-grade meet military specifications. Buyers acknowledge and agree that any such use of TI products which TI has not designated as military-grade is solely at the Buyer's risk, and that they are solely responsible for compliance with all legal and regulatory requirements in connection with such use.

TI products are neither designed nor intended for use in automotive applications or environments unless the specific TI products are designated by TI as compliant with ISO/TS 16949 requirements. Buyers acknowledge and agree that, if they use any non-designated products in automotive applications, TI will not be responsible for any failure to meet such requirements.

Following are URLs where you can obtain information on other Texas Instruments products and application solutions:

### Products

Amplifiers	<a href="http://amplifier.ti.com">amplifier.ti.com</a>
Data Converters	<a href="http://dataconverter.ti.com">dataconverter.ti.com</a>
DSP	<a href="http://dsp.ti.com">dsp.ti.com</a>
Clocks and Timers	<a href="http://www.ti.com/clocks">www.ti.com/clocks</a>
Interface	<a href="http://interface.ti.com">interface.ti.com</a>
Logic	<a href="http://logic.ti.com">logic.ti.com</a>
Power Mgmt	<a href="http://power.ti.com">power.ti.com</a>
Microcontrollers	<a href="http://microcontroller.ti.com">microcontroller.ti.com</a>
RFID	<a href="http://www.ti-rfid.com">www.ti-rfid.com</a>
RF/IF and ZigBee® Solutions	<a href="http://www.ti.com/lprf">www.ti.com/lprf</a>

### Applications

Audio	<a href="http://www.ti.com/audio">www.ti.com/audio</a>
Automotive	<a href="http://www.ti.com/automotive">www.ti.com/automotive</a>
Broadband	<a href="http://www.ti.com/broadband">www.ti.com/broadband</a>
Digital Control	<a href="http://www.ti.com/digitalcontrol">www.ti.com/digitalcontrol</a>
Medical	<a href="http://www.ti.com/medical">www.ti.com/medical</a>
Military	<a href="http://www.ti.com/military">www.ti.com/military</a>
Optical Networking	<a href="http://www.ti.com/opticalnetwork">www.ti.com/opticalnetwork</a>
Security	<a href="http://www.ti.com/security">www.ti.com/security</a>
Telephony	<a href="http://www.ti.com/telephony">www.ti.com/telephony</a>
Video & Imaging	<a href="http://www.ti.com/video">www.ti.com/video</a>
Wireless	<a href="http://www.ti.com/wireless">www.ti.com/wireless</a>

Mailing Address: Texas Instruments, Post Office Box 655303, Dallas, Texas 75265  
Copyright © 2008, Texas Instruments Incorporated