

Fail-Safe IC with Relay Driver and Lamp Driver

Description

The U6809B is designed to support the fail-safe function of a safety-critical system e.g., ABS. It includes a relay driver, two independent short-circuit-protected lamp drivers which are supplied by redundant ground lines, two monitoring circuits of the lamp driver output voltage and

output current, a watchdog controlled by an external R/C-network and a reset circuit initiated by an over- and undervoltage condition of the 5-V supply providing a positive and a negative reset signal.

Features

- Digital self-supervising watchdog with hysteresis
- Three 250-mA output drivers
- One relay driver, two lamp drivers
- Lamp drivers with auxiliary ground
- Lamp drivers short-circuit protected
- Lamp drivers with status feedback
- Enable output
- Over-/undervoltage detection and reset
- All power outputs protected against standard transients
- All power outputs protected against 40-V load dump
- Automatically activated lamp drivers if V_S is disconnected
- Automatically activated lamp drivers via AUX GND if standard ground is disconnected

Block Diagram

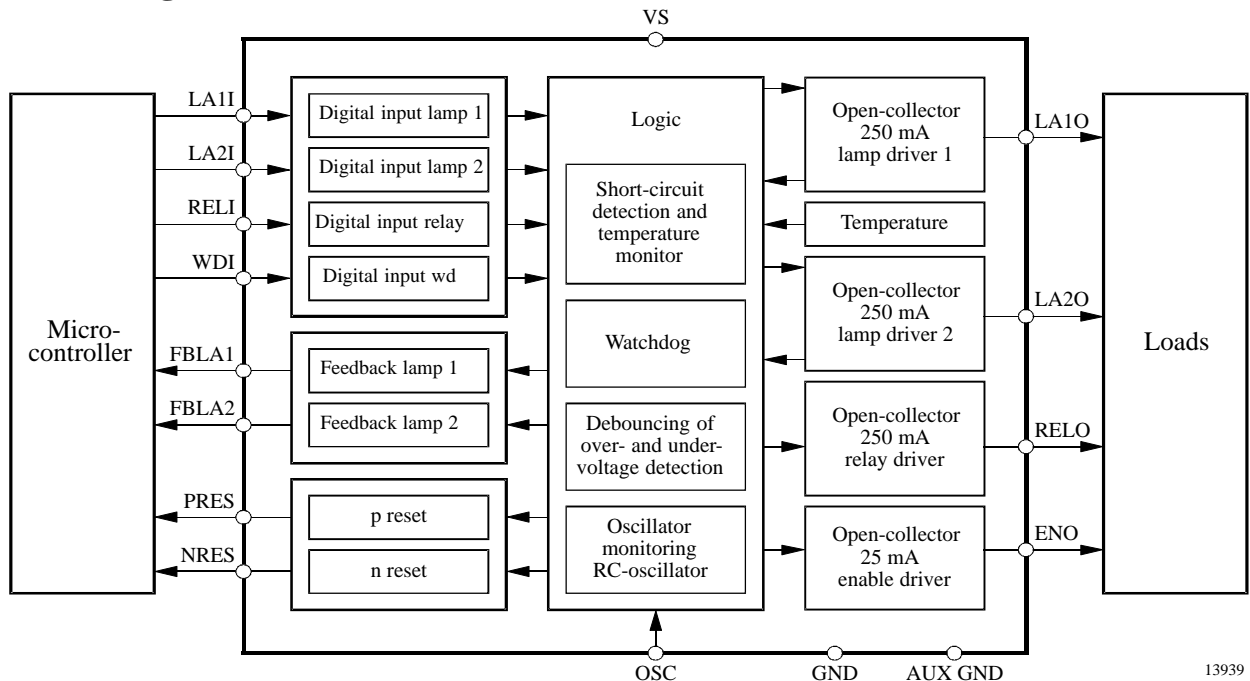


Figure 1. Block diagram

Ordering Information

Extended Type Number	Package	Remarks
U6809B	SO20 special lead frame	

Pin Description

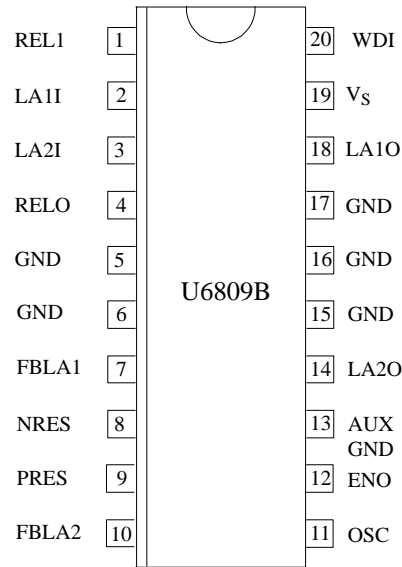


Table 1 Pining and circuit description

Pin	Name	Type	Function	Logic
1	RELI	Digital input	Activation of relay driver	L: driver on H: driver off
2	LA1I	Digital input	Activation of lamp 1 driver	L: driver off H: driver on
3	LA2I	Digital input	Activation of lamp 2 driver	L: driver off H: driver on
4	RELO	Open collector driver output	Fail-safe relay driver	Driver off: — driver on: L
5, 6	GND	Supply	Standard ground	
7	FBLA1	Digital output	Feedback lamp1	See table 2 and 3
8	NRES	Digital output	Negative reset signal	Reset: L no reset:H
9	PRES	Digital output	Positive reset signal	Reset: H no reset:L
10	FBLA2	Digital output	Feedback lamp 2	See table 2 and 3
11	OSC	Analog input	Ext. RC for watchdog timer	
12	ENO	Open collector output	Watchdog disable output	Watchdog ok: — watchdog n ok: L
13	AUX GND	Supply	Auxiliary ground of lamp drivers	
14	LA2O	Open collector driver output	Warning lamp driver	Driver off: — driver on: L
15, 16, 17	GND	Supply	Standard ground	
18	LA1O	Open collector driver output	Warning lamp driver	Driver off: — driver on: L
19	V _S	Supply	5 V supply	
20	WDI	Digital input	Watchdog trigger signal	Pulse sequence

Detailed Block Diagram with External Components

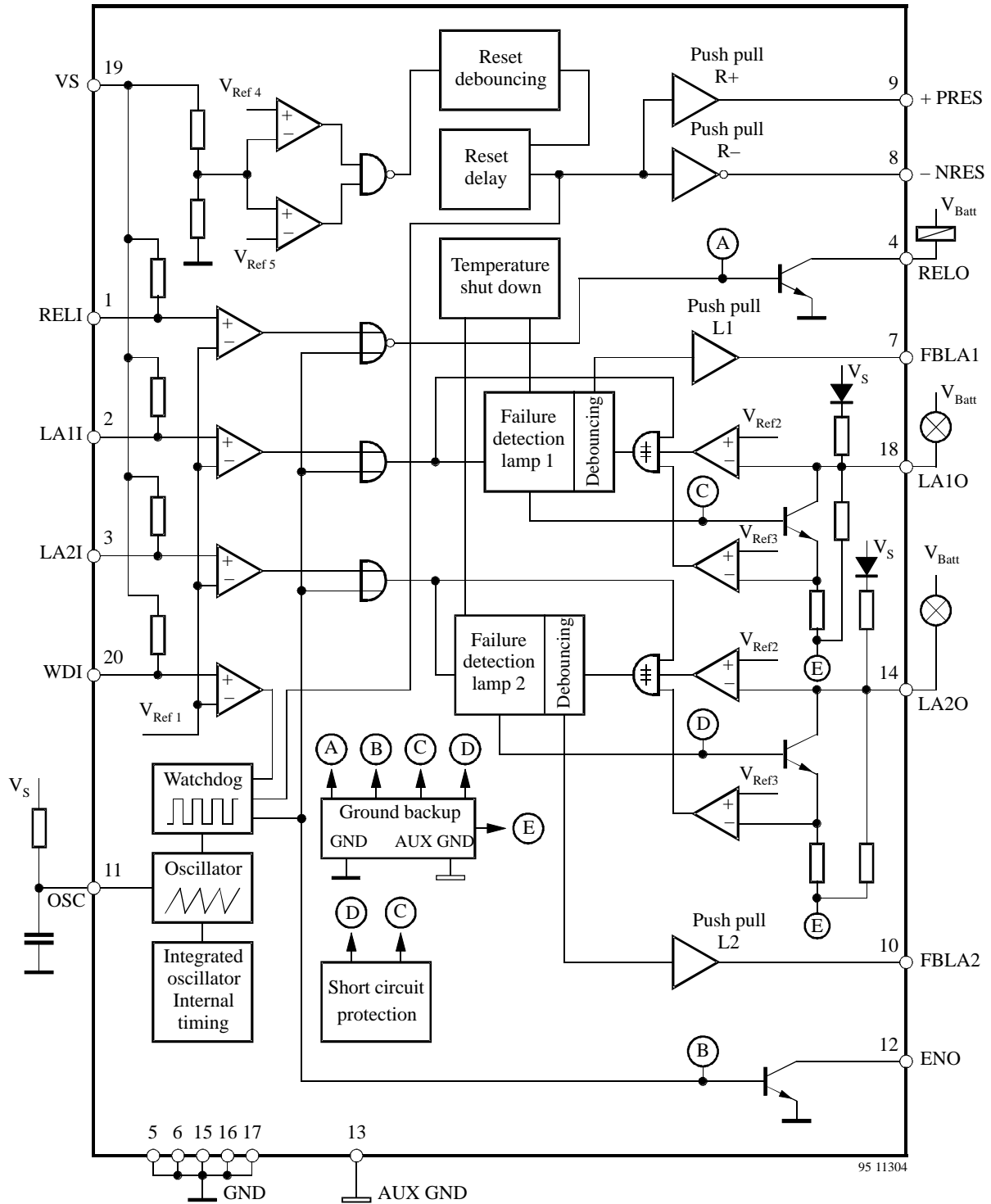


Figure 2. Detailed block diagram

Table 2 Thruth table for lamp drivers and lamp feedback

Inputs			Outputs			Comment
Lamp (I)	Lamp Voltage	Lamp Current	Lamp Driver Current	Lamp Current	Feedback Lamp	
0	1	0	off	off	1	Output ok or open (internal pull up) or shorted to V_{Batt}
0	1	1	on	off	1	Output shorted to V_{Batt} and faulty input level
0	0	1	on	on	0	Internal driver activated caused by internal failure
0	0	0	off	on	0	Output shorted to GND
1	0	1	on	on	0	Output ok
1	1	1	on	off	1	Output shorted to V_{Batt}
1	1	0	off	off	1	Internal driver deactivated caused by internal failure or thermal shutdown
1	0	0	off	on/off	1	Output shorted to GND or open

Explanation:

Lamp voltage is logic 1 if output voltage > threshold voltage detection

Lamp voltage is logic 0 if output voltage < threshold voltage detection

Lamp current is logic 1 if output current > threshold current detection

Lamp current is logic 0 if output current < threshold current detection

Table 3 Table of fault detection

Condition	Feedback Lamp	
	Lamp Input is 0 (Lamp off)	Lamp Input is 1 (Lamp on)
Normal operation	1	0
Lamp output shorted to GND	0 (= detection)	1 (= detection)
Lamp output shorted to VBat	1 (= no detection)	1 (= detection)
Lamp output open	1 (= no detection)	1 (= detection)
Feedback shorted to GND	0 (= detection)	0 (= no detection)
Feedback shorted to Vs	1 (= no detection)	1 (= detection)
Lamp input shorted to GND	1 (= no detection)	1 (= detection)
Lamp input shorted to Vs	0 (= detection)	0 (= no detection)

Fail-Safe Functions

A fail-safe IC has to maintain its monitoring function even if there is a fault condition at one of the pins (e.g. short circuit). This ensures that a microcontroller system would not be brought into a critical status. A critical status

is reached if the system is not able to actuate a warning lamp and switch off the relay. The following table shows fault conditions for different pins during which the IC still works as a fail-safe device.

Table 4 Table of fault conditions

Pin	Function	Short to Vs	Short to VBat	Short to GND	Open Circuit
LA2O	Short-circuit proof driver for warning lamp	LA2O partly on	LA2O off	LA2O on	LA2O off
LA2I	Digital input to activate warning lamp	LA2O on	LA2O on	LA2O off	LA2O on
FBLA2	Digital feedback of warning lamp	Faulty feedback	Faulty feedback	Faulty feedback	Faulty feedback
LA1O	Short-circuit proof driver for warning lamp	LA1O partly on	LA1O off	LA1O on	LA1O off
LA1I	Digital input to activate warning lamp	LA1O on	LA1O on	LA1O off	LA1O on
FBLA1	Digital feedback of warning lamp	Faulty feedback	Faulty feedback	Faulty feedback	Faulty feedback
RELI	Digital input to activate the fail-safe relay	Relay off	Relay off	Relay on	Relay off
WDI	Watchdog trigger input	Watchdog reset	Watchdog reset	Watchdog reset	Watchdog reset
OSC	Capacitor and resistor of watchdog	Watchdog reset	Watchdog reset	Watchdog reset	Watchdog reset

Description of the Watchdog

Abstract

The microcontroller is monitored by a digital window watchdog which accepts an incoming trigger signal of

a constant frequency for correct operation. The frequency of the trigger signal can be varied in a broad range as the watchdog's time window is determined by external R/C components.

The following description refers to the block diagram (Fig. 2)

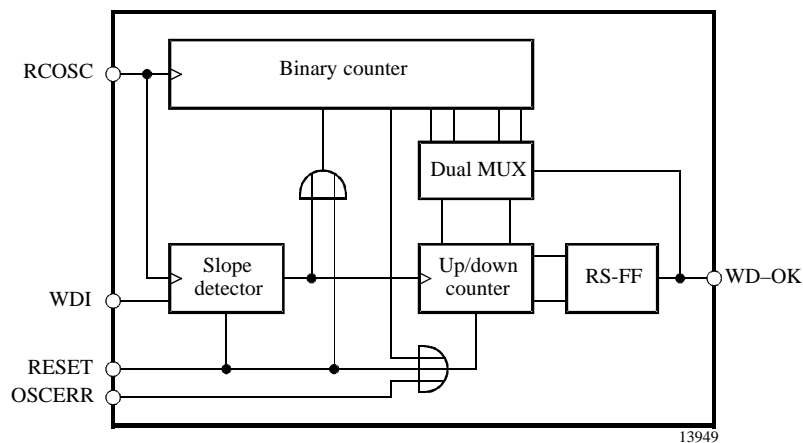


Figure 3. Watchdog block diagram

WDI Input (Pin 20)

The microcontroller has to provide a trigger signal with the frequency f_{WDI} which is fed to the WDI input. A positive edge of f_{WDI} detected by a slope detector resets the binary counter and clocks the up/down counter additionally. The latter one counts only from 0 to 3 or reverse. Each correct trigger increments the up/down counter by 1, each wrong trigger decrements it by 1. As soon as the counter reaches status 3 the RS flip-flop is set; see Fig. 4 (Watchdog state diagram). A missing incoming trigger signal is detected after 250 clocks of the internal watchdog frequency f_{RC} (see WD-OK output) and resets the up-/down counter directly.

RCOSC Input

With an external R/C circuitry the IC generates a time base (frequency f_{RC}) independent from the microcontroller. The watchdog's time window refers to a frequency of

$$f_{RC} = 100 \times f_{WDI}$$

Reset Input

During power-on and under-/overvoltage detection a reset signal is fed to this pin. It resets the watchdog timer and sets the initial state.

During power on and under/overvoltage detection a reset signal is fed to this pin. It resets the watchdog timer and sets the initial state.

WD – OK Output

After the up/down counter is incremented to status 3 (see Fig. 4, WD state diagram) the RS flip-flop is set and the WD-OK output becomes logic "1". This information is available for the microcontroller at the open collector output ENO. If on the other hand the up/down counter is decremented to 0 the RS flip flop is reset, the WD OK output and the ENO output are disabled. The WD OK output also controls a dual MUX stage which shifts the time window by one clock after a successful trigger thus forming a hysteresis to provide stable conditions for the evaluation of the trigger signal "good or false". The WD OK signal is also reset in the case the watchdog counter is not reset after 250 clocks (missing trigger signal).

Watchdog State Diagram

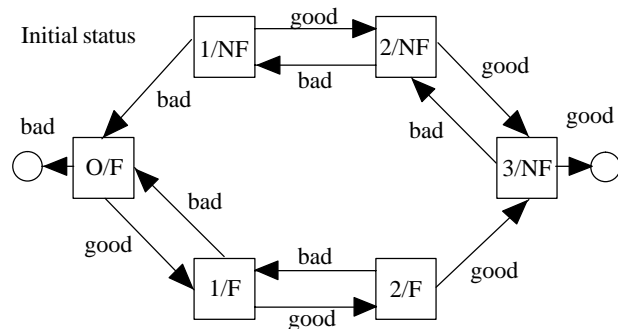


Figure 4. Watchdog state diagram

Explanation

In each block, the first character represents the state of the counter. The second notation indicates the fault status of the counter. A fault status is indicated by an "F" and a no fault status is indicated by an "NF". When the watchdog is powered up initially, the counter starts out at the O/F block (initial state). "good" indicates that a pulse has been received whose width resides within the timing window. "bad" indicates that a pulse has been received whose width is either too short or too long.

Watchdog-Window Calculation

Example with recommended values

$C_{osc} = 3.3 \text{ nF}$ (should be preferably 10%, NPO)

$R_{osc} = 39 \text{ k}\Omega$ (may be 5%, $R_{osc} < 100 \text{ k}\Omega$ due to leakage current and humidity)

RC Oscillator

$$t_{WDC} \text{ (s)} = 10^{-3} \times [C_{osc} \text{ (nF)} \times [(0.00078 \times R_{osc} \text{ (k}\Omega)) + 0.0005]]$$

$$f_{WDC} \text{ (Hz)} = 1 / (t_{WDC})$$

Watchdog WDI

$$f_{WDI} \text{ (Hz)} = 0.01 \times f_{WDC}$$

$$t_{WDC} = 100 \text{ }\mu\text{s} \quad \rightarrow \quad f_{WDC} = 10 \text{ kHz}$$

$$f_{WDI} = 100 \text{ Hz} \quad \rightarrow \quad t_{WDI} = 10 \text{ ms}$$

WDI pulse width for fault detection after 3 pulses:

Upper watchdog window

Minimum: $169 / f_{WDC} = 16.9 \text{ ms} \rightarrow f_{WDC} / 169 = 59.1 \text{ Hz}$

Maximum: $170 / f_{WDC} = 17.0 \text{ ms} \rightarrow f_{WDC} / 170 = 58.8 \text{ Hz}$

Lower watchdog window

Minimum: $79 / f_{WDC} = 7.9 \text{ ms} \rightarrow f_{WDC} / 79 = 126.6 \text{ Hz}$

Maximum: $80 / f_{WDC} = 8.0 \text{ ms} \rightarrow f_{WDC} / 80 = 125.0 \text{ Hz}$

WDI dropouts for immediate fault detection:

Minimum: $250 / f_{WDC} = 25 \text{ ms}$

Maximum: $251 / f_{WDC} = 25.1 \text{ ms}$

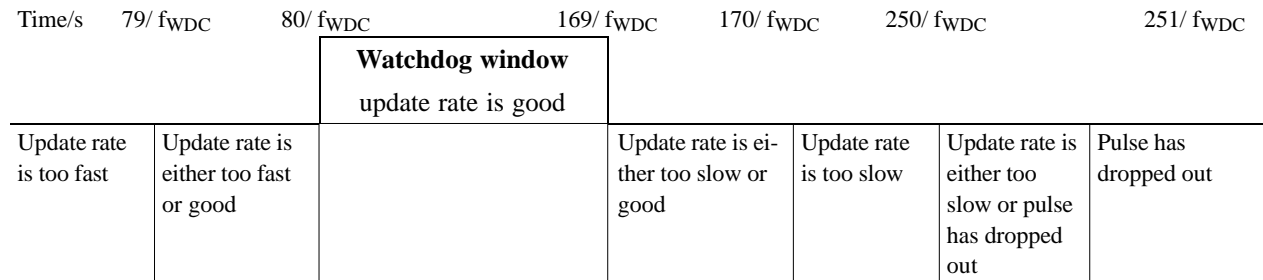


Figure 5. Watchdog timing diagram with tolerances

Remark to reset delay

The duration of the over- or undervoltage pulses determines the enable- and reset output. A pulse duration shorter than the debounce time has no effect on the

outputs. A pulse longer than the debounce time results in the first reset delay. If a pulse appears during this delay, a 2nd delay time is triggered. Therefore, the total reset delay time can be longer than specified in the data sheet.

Absolute Maximum Ratings

Parameters	Symbol	Value	Unit
Supply voltage range	V_S	- 0.2 to 16	V
AUX GND offset voltage to GND	V_{AUX}	+/- 1.5	V
AUX GND offset current to GND	I_{AUX}	- 600	mA
Power dissipation $V_S = 5 \text{ V}; T_{amb} = 125^\circ\text{C}$	P_{tot}	700	mW
Thermal resistance	R_{thjc}	25	K/W
Junction temperature	T_j	150	$^\circ\text{C}$
Ambient temperature range	T_{amb}	-40 to 125	$^\circ\text{C}$
Storage temperature range	T_{stg}	-55 to 155	$^\circ\text{C}$

Electrical Characteristics

$V_S = 5\text{ V}$, $T_{\text{amb}} = -40\text{ to } +125^\circ\text{C}$; reference pin is GND; $f_{\text{intern}} = 100\text{ kHz} + 50\% - 45\%$,
 $f_{\text{WDC}} = 10\text{ kHz} \pm 10\%$; $f_{\text{WDI}} = 100\text{Hz}$

Parameter	Test Conditions / Pins	Symbol	Min.	Typ.	Max.	Unit
Supply voltage						
Operation range general		V_S	4.5		5.5	V
Operation range reset		V_S	1.5		16.0	V
Supply current						
Lamp driver on, relay off	$T_{\text{amb}} = -40^\circ\text{C}$				40	mA
	$T_{\text{amb}} = 125^\circ\text{C}$				35	mA
Lamp driver off, relay on	$T_{\text{amb}} = -40^\circ\text{C}$				25	mA
	$T_{\text{amb}} = 125^\circ\text{C}$				20	mA
Lamp driver off, relay off	$T_{\text{amb}} = -40^\circ\text{C}$				15	mA
	$T_{\text{amb}} = 125^\circ\text{C}$				10	mA
Auxiliary ground (AUX GND)						
AUX GND offset voltage operation range	$T_{\text{amb}} = -40^\circ\text{C}$		-1.2		1.2	V
	$T_{\text{amb}} = 90^\circ\text{C}$		-0.65		1.0	V
	$T_{\text{amb}} = 125^\circ\text{C}$		-0.5		0.8	V
AUX GND offset voltage to GND	$I_{\text{AUX}} = -600\text{ mA}$		-1.7		3.0	V
Digital inputs (LA1I, LA2I, REL1 and WDI)						
Detection low			-0.2		$0.2 \times V_S$	V
Detection high			$0.7 \times V_S$		$V_S + 0.5\text{ V}$	V
Resistance to V_S			10		40	k Ω
Input current low	Input voltage = 0 V		100		550	μA
Input current high	Input voltage = V_S		-5		5	μA
Digital outputs; lamp driver feedbacks (FBLA1, FBLA2)						
Voltage low	$I \leq 1.6\text{ mA}$		0		0.5	V
Voltage high	$I \leq 10\text{ A}$		$0.8 \times V_S$		V_S	V
	$10\text{ A} \leq I \leq 1.6\text{mA}$		$0.7 \times V_S + 0.1$		V_S	V
Threshold voltage detection			$0.4 \times V_S$		$0.5 \times V_S$	V
Threshold current detection			10		50	mA
Digital outputs (PRES and NRES)						
Voltage high	$I \leq 100\text{A}$		$0.7 \times V_S + 0.1$		V_S	V
Voltage low	$I \leq 1\text{ mA}$		0		0.3	V
Digital output (ENO) with open collector						
Saturation voltage low	$I \leq 25\text{ mA}$		0		0.3	V
Clamping voltage			26		30	V
Current limit low			25			mA
Leakage current	$V_{\text{ENO}} = 5\text{ V}$				20	μA
	$V_{\text{ENO}} = 16\text{ V}$				100	μA
	$V_{\text{ENO}} = 26\text{ V}$				200	μA
Lamp drivers (LA10 and LA20) with integrated pull-up resistor						

Electrical Characteristics (continued)

$V_S = 5\text{ V}$, $T_{\text{amb}} = -40\text{ to } +125^\circ\text{C}$; reference pin is GND; $f_{\text{intern}} = 100\text{ kHz} + 50\% - 45\%$,
 $f_{\text{WDC}} = 10\text{ kHz} \pm 10\%$; $f_{\text{WDI}} = 100\text{Hz}$

Parameter	Test Conditions / Pins	Symbol	Min.	Typ.	Max.	Unit
Saturation voltage	$I \leq 125\text{ mA}$; $V_S = 5\text{ V}$				0.5	V
	$I \leq 125\text{ mA}$; $V_S = 0\text{ V}$				1.5	V
Saturation voltage 250mA requires enhanced heat sink	$I \leq 250\text{ mA}$; $V_S = 5\text{ V}$				1.0	V
	$I \leq 250\text{ mA}$; $V_S = 0\text{ V}$				2.0	V
	$I \leq 250\text{ mA}$; no GND				3.0	V
Maximum load current	$T_{\text{amb}} = 90^\circ\text{C}$		250			mA
	$T_{\text{amb}} = 125^\circ\text{C}$		180			mA
Clamping voltage			26		30	V
Leakage current	$V_{\text{LA10, LA20}} = 16\text{ V}$				1	mA
	$V_{\text{LA10, LA20}} = 26\text{ V}$				3	mA
Threshold current limitation			0.5		1.0	A
Pull-up resistor			2		17	k Ω
Relay driver (RELO)						
Saturation voltage	$I \leq 250\text{ mA}$				0.5	V
Maximum load current	$T_{\text{amb}} = 90^\circ\text{C}$		250			mA
	$T_{\text{amb}} = 125^\circ\text{C}$		200			mA
Clamping voltage			26		30	V
Leakage current	$V_{\text{Bat}} = 16\text{ V}$				20	μA
	$V_{\text{Bat}} = 26\text{ V}$				200	μA
Reset and V_S control						
Lower reset level		V_S	4.5		4.8	V
Upper reset level		V_S	5.2		5.5	V
Hysteresis			25			mV
Reset debounce time			120		500	μs
Reset delay			20		80	ms
Watchdog timing						
Feedback reaction time (FBLA1, FBLA2)	no fault, edge at LA1I, LA2I	t^{FB}	2.56		12.8	ms
Minimum lamp input toggle time for a securely feedback reaction	no fault, pulse at LA1I, LA2I	$t_{\text{P,FB}}$	10.24			ms
Power-on-reset prolongation time		t_{POR}	34.3		103.1	ms
Detection time for RC-oscillator fault	$V_{\text{RC}} = \text{const.}$	t_{RCerror}	81.9		246	ms
Time interval for over-/ under voltage detection		$t_{\text{D,OUV}}$	0.16		0.64	ms
Reaction time of NRES out- put on over-/under voltage		$t_{\text{R,OUV}}$	0.187		0.72	ms

Electrical Characteristics (continued)

$V_S = 5\text{ V}$, $T_{\text{amb}} = -40\text{ to } +125^\circ\text{C}$; reference pin is GND; $f_{\text{intern}} = 100\text{ kHz} + 50\% - 45\%$,
 $f_{\text{WDC}} = 10\text{ kHz} \pm 10\%$; $f_{\text{WDI}} = 100\text{Hz}$

Parameter	Test Conditions / Pins	Symbol	Min.	Typ.	Max.	Unit
Minimum toggle time for a securely broken ground detection		$t_{\text{P,BGND}}$	13.3			μs
Maximum reaction time for broken ground detection		$t_{\text{R,BGND}}$			100	μs
Nominal frequency for WDI	$f_{\text{RC}} = 100 \times f_{\text{WDI}}$	f_{WDI}	10		130	Hz
Nominal frequency for RC	$f_{\text{WDI}} = 1/100 \times f_{\text{RC}}$	f_{RC}	1		13	kHz
Minimum pulse duration for a securely WDI input pulse detection		$t_{\text{P,WDI}}$	182			μs
Frequency range for a correct WDI signal		f_{WDI}	64.7		112.5	Hz
Number of incorrect WDI trigger counts for locking the outputs		n_{lock}		3		
Number of correct WDI trigger counts for releasing the outputs		n_{release}		3		
Detection time for a stucked WDI signal	$V_{\text{WDI}} = \text{const.}$	t_{WDIerror}	24.5		25.5	ms
Watchdog timing relative to f_{RC}						
Minimum pulse duration for a securely WDI input pulse detection				2		cycles
Frequency range for a correct WDI signal			80		170	cycles
Hysteresis range at the WDI ok margins				1		cycle
Detection time for a stucked WDI signal	$V_{\text{WDI}} = \text{const.}$		250		251	cycles

Protection against transient voltages according to ISO TR 7637–3 level 4 (except pulse 5)

Pulse	Voltage	Source Resistance *	Rise Time	Duration	Amount
1	- 110 V	10 Ω	100 V/s	2 ms	15.000
2	+ 110 V	10 Ω	100 V/s	0.05 ms	15.000
3a	- 160 V	50 Ω	30 V/ns	0.1 s	1 h
3b	+ 150 V	50 Ω	20 V/ns	0.1 s	1 h
5	40 V	2 Ω	10 V/ms	250 ms	20

* Lamp drivers: 1.2 W lamps to be added to the source resistance
 Relay driver: relay coil with $R_{\text{min}} = 70\ \Omega$ to be added to the source resistance.

Application Hints

- a.) The lamp output pins LA1O and LA2O may need to be protected by external protection diodes against reversed battery (e.g. BAV 202) in order to avoid a reset during negative pulses.
- b.) If pilot lamps with a wattage of $P > 1.2$ W are connected external Zener diodes are mandatory.

Timing Diagrams

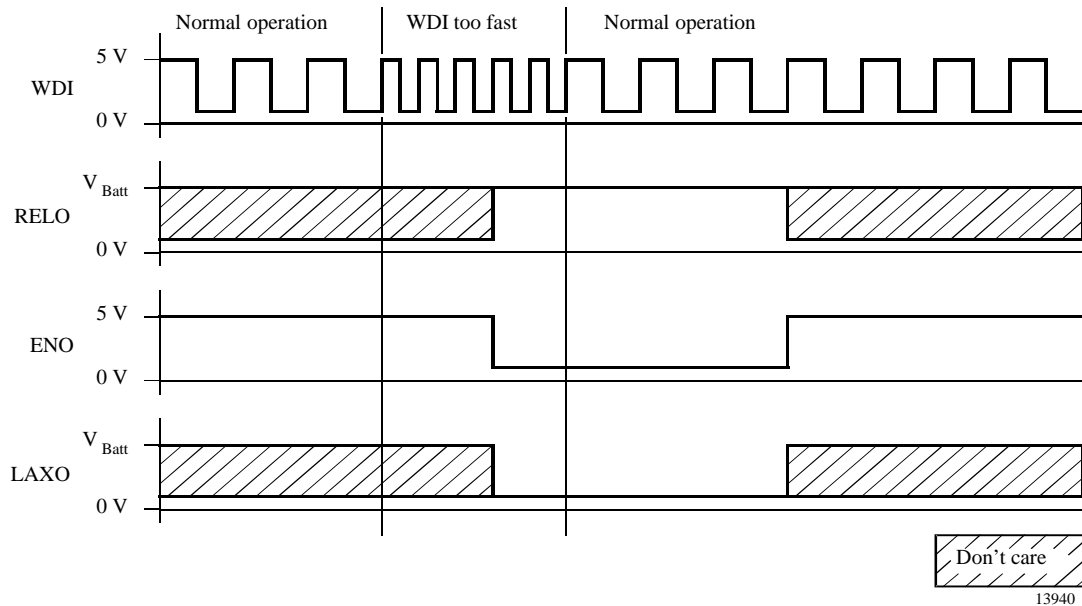


Figure 6. Watchdog in too fast condition

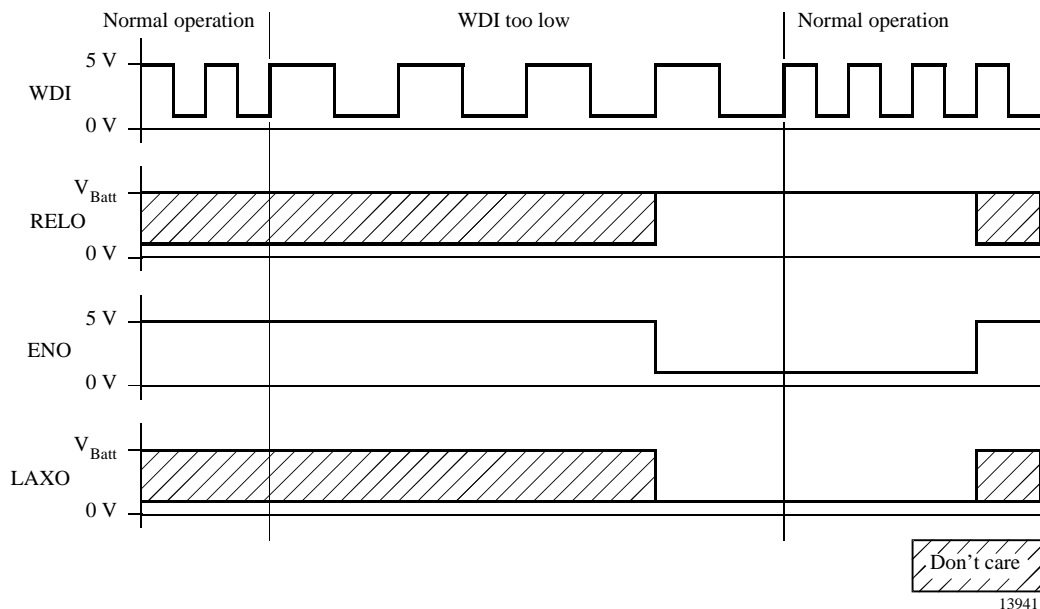


Figure 7. Watchdog in too slow condition

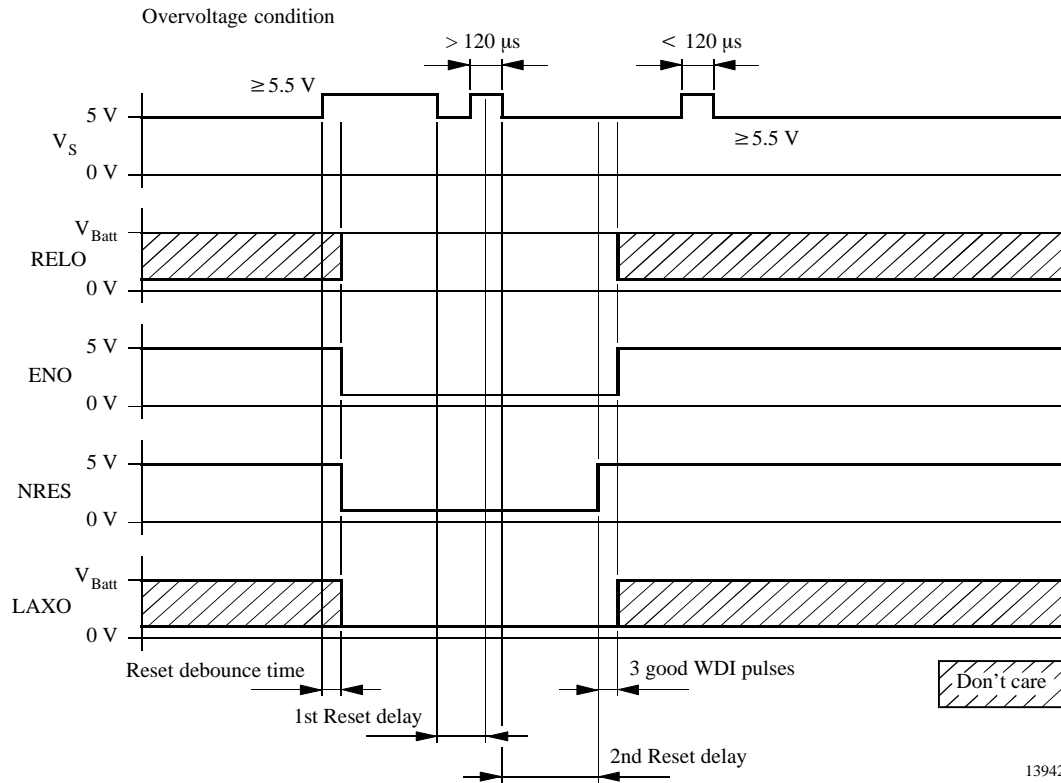


Figure 8. Overvoltage condition

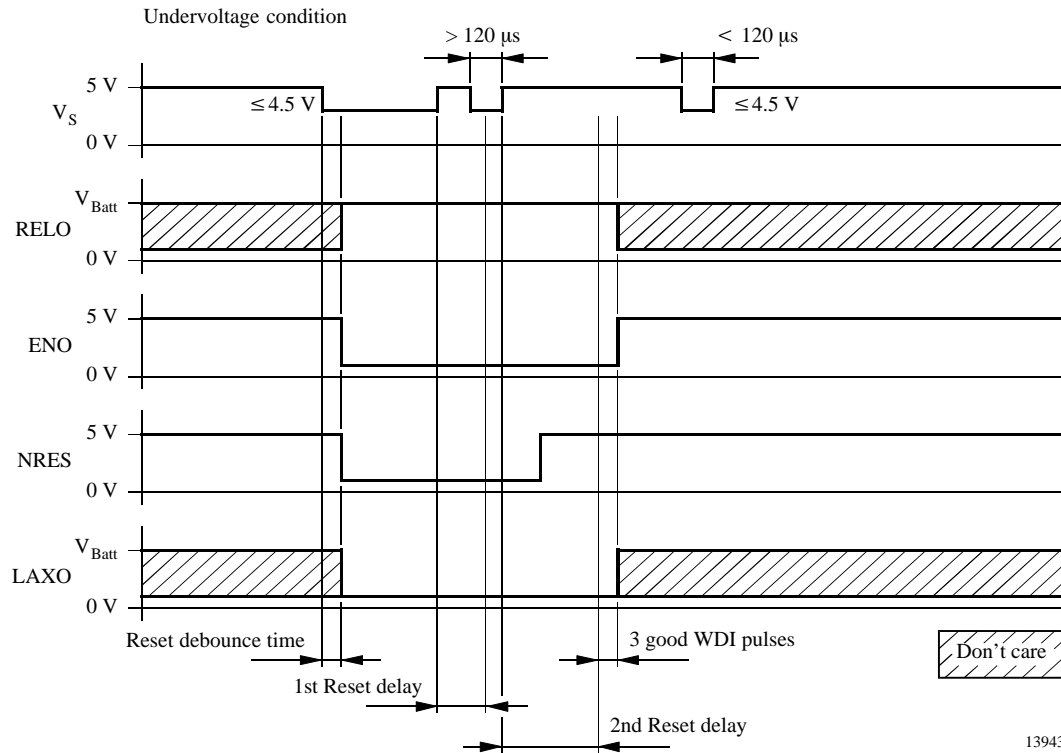
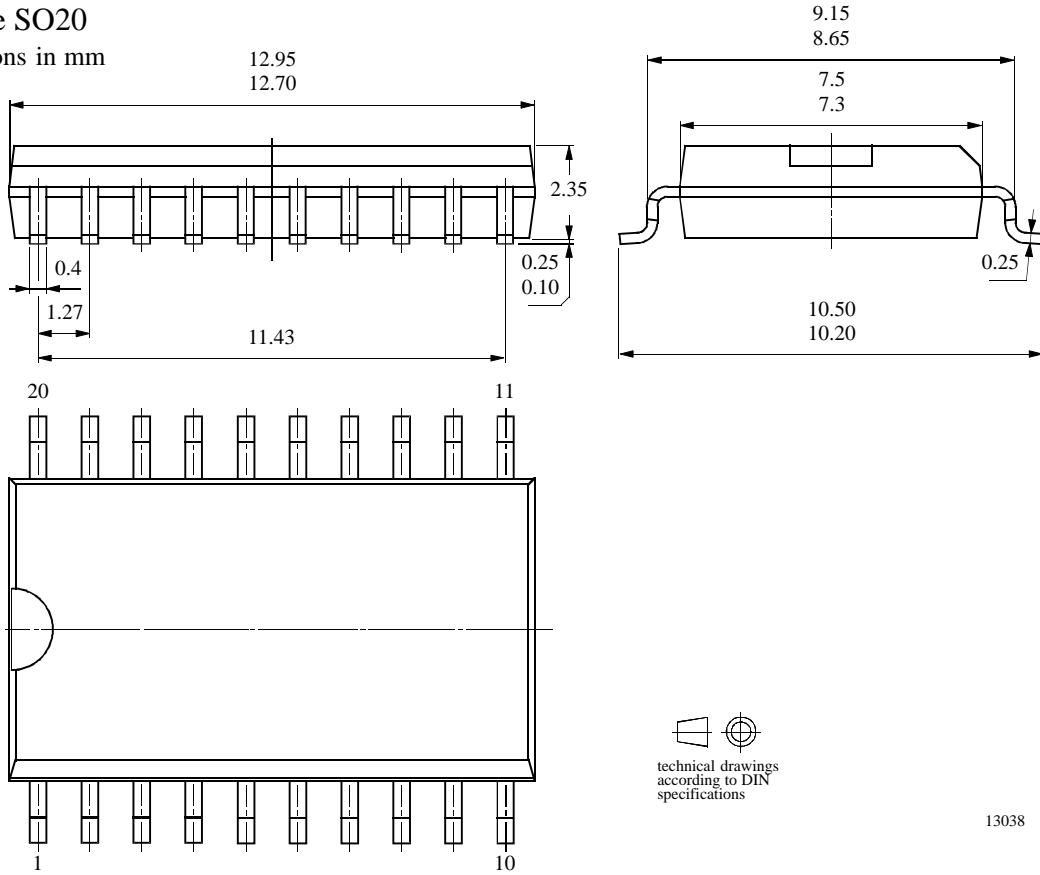


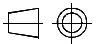
Figure 9. Undervoltage condition

Package Information

Package SO20

Dimensions in mm




technical drawings
according to DIN
specifications

13038

Ozone Depleting Substances Policy Statement

It is the policy of **Atmel Germany GmbH** to

1. Meet all present and future national and international statutory requirements.
2. Regularly and continuously improve the performance of our products, processes, distribution and operating systems with respect to their impact on the health and safety of our employees and the public, as well as their impact on the environment.

It is particular concern to control or eliminate releases of those substances into the atmosphere which are known as ozone depleting substances (ODSs).

The Montreal Protocol (1987) and its London Amendments (1990) intend to severely restrict the use of ODSs and forbid their use within the next ten years. Various national and international initiatives are pressing for an earlier ban on these substances.

Atmel Germany GmbH has been able to use its policy of continuous improvements to eliminate the use of ODSs listed in the following documents.

1. Annex A, B and list of transitional substances of the Montreal Protocol and the London Amendments respectively
2. Class I and II ozone depleting substances in the Clean Air Act Amendments of 1990 by the Environmental Protection Agency (EPA) in the USA
3. Council Decision 88/540/EEC and 91/690/EEC Annex A, B and C (transitional substances) respectively.

Atmel Germany GmbH can certify that our semiconductors are not manufactured with ozone depleting substances and do not contain such substances.

We reserve the right to make changes to improve technical design and may do so without further notice.

Parameters can vary in different applications. All operating parameters must be validated for each customer application by the customer. Should the buyer use Atmel Wireless & Microcontrollers products for any unintended or unauthorized application, the buyer shall indemnify Atmel Wireless & Microcontrollers against all claims, costs, damages, and expenses, arising out of, directly or indirectly, any claim of personal damage, injury or death associated with such unintended or unauthorized use.

Data sheets can also be retrieved from the Internet: <http://www.atmel-wm.com>

Atmel Germany GmbH, P.O.B. 3535, D-74025 Heilbronn, Germany
Telephone: 49 (0)7131 67 2594, Fax number: 49 (0)7131 67 2423