

Side-Airbag Sensor Dual Interface

Description

The U6268B is an interface IC for remote automotive sensors. It links the crash sensors in the driver- and passenger door with the main airbag unit in the dashboard. Two identical channels supply the external sensors and receive digital information from them via one active wire each. The interface supplies the external sensors with a pre-regulated smoothed voltage, the external units transmit the digital information back to the

interface by current modulation.

As the device is for safety critical applications, highest data transmission security is mandatory. With high immunity against cross-coupling between the two channels, the U6228B is tailored for the harsh automotive environment.

Features

- Two identical interface channels
- Provides a pre-regulated smoothed voltage and a supply current up to 50 mA for the sensors
- Receives data from the sensors by current modulation with a transmission rate of 60 kBaud (transmission bandwidth 500 kHz)
- Current modulation provides high noise immunity for data transfer
- TTL-compatible input activate the sensor
- Data output can be directly connected to a micro-controller input
- Operation supply voltage range $5.7\text{ V} \leq V_S \leq 40\text{ V}$
- ESD protection according to MIL-STD-883C test method 3015.7
- High-level EMI protection

Benefits

- Voltage supply and data transmission with one active wire over long distances

Ordering Information

Extended Type Number	Package	Remarks
U6268B	SO16	

Block Diagram

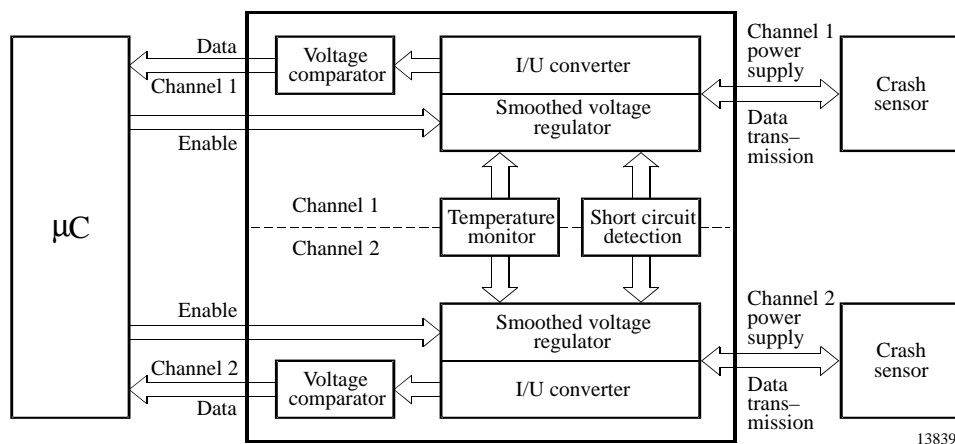


Figure 1. Block diagram

Pin Description

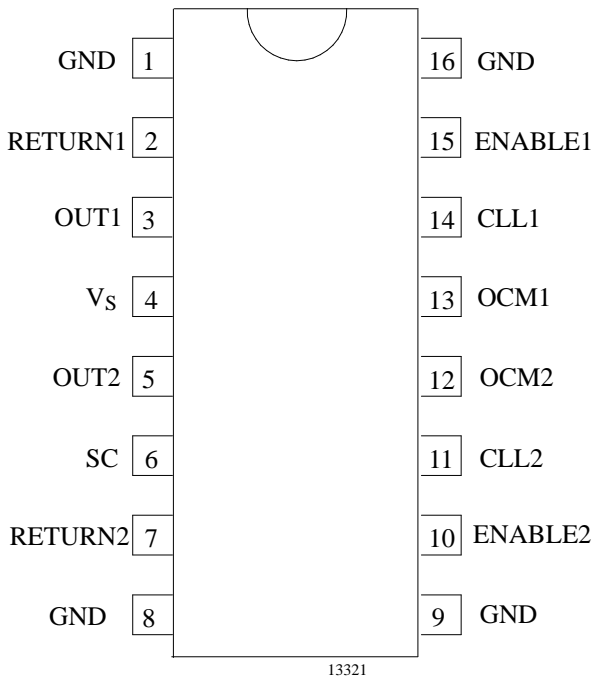


Figure 2. Pinning

Pin	Symbol	Function
1	GND	Ground and reference pin
2	RETURN1	Return line of the external unit, internally connected to GND via a line-protection transistor
3	OUT1	Voltage-stabilized supply output and current-modulation input
4	V _S	Supply voltage of the IC
5	OUT2	Voltage stabilized supply output and current modulation input
6	SC	Smooth time constant for slow voltage change at both OUT pins
7	RETURN2	Return line of the external unit, internally connected to GND via a line-protection transistor
8, 9	GND	Ground and reference pin
10	ENABLE1	Controls OUT1 voltage, ENABLE1 High means OUT1 active, ENABLE1 Low or open means OUT1 switched off
11	CLL2	Current logic level output, low at high OUT2 current, monitoring via OCM2
12	OCM2	Analog current output, representing 1/10 current of OUT2
13	OCM1	Analog current output, representing 1/10 current of OUT1
14	CLL1	Current logic level output, low at high OUT1 current, monitoring via OCM1
15	ENABLE2	Controls OUT2 voltage, ENABLE2 High means OUT2 active, ENABLE1 Low or open means OUT2 switched off
16	GND	Ground and reference pin

Figure 3. Application circuit

Functional Description

V_S

The IC and the external units are powered via the V_S Pin 4. This pin is connected to the battery via a reverse battery protection diode. An electrolytic capacitor of 22 μF smoothes the voltage and absorbs positive and negative transients.

OUT1, OUT2

OUT_x provides a smoothed, very slowly changing supply

voltage for the external units and monitors the output current. During normal operating conditions, the OUT_x voltage is typ. 3 V below V_S, and changes very slowly with a varying battery voltage in order to suppress disturbances in the data transmission. At low V_S (5.7 to 8.5 V), the OUT_x voltage is typ. 0.5 V below V_S. This voltage difference is reduced in order to ensure sufficient supply voltage for the external unit between OUT_x and RETURN_x. The output current capability is 50 mA. The internal pull-down current at OUT_x is typically 3 mA.

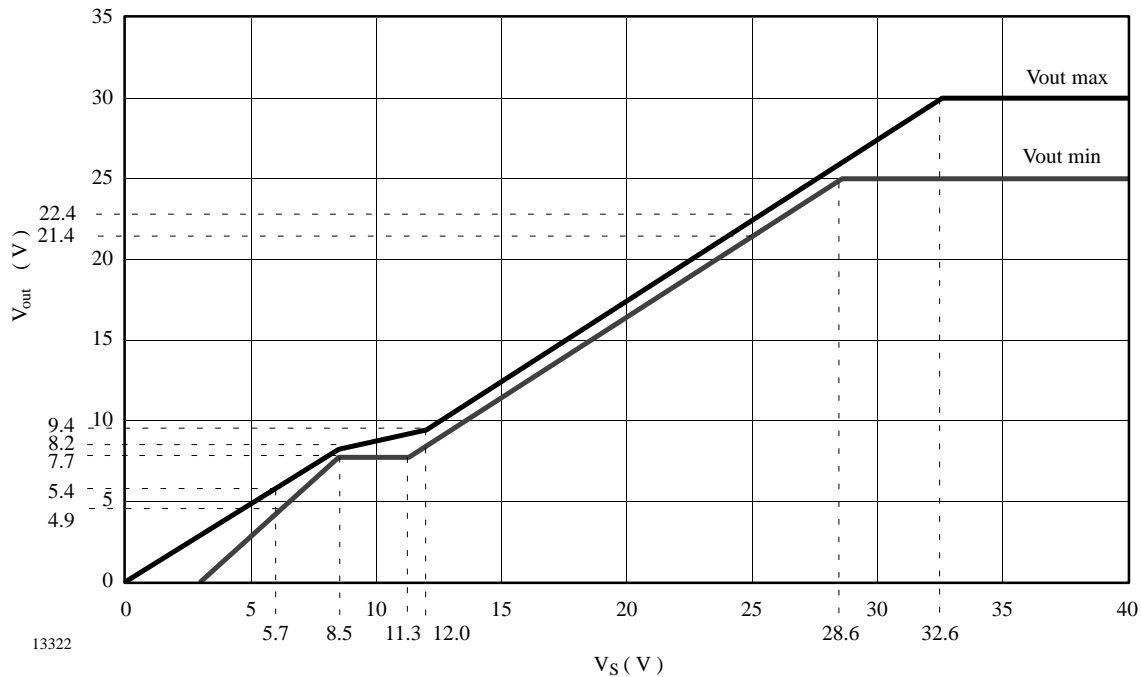


Figure 4. Output voltage with tolerances vs. supply voltage

The data transmission from the external unit to the interface IC is carried out on the same line by varying the current level. The quiescent current consumption of the external unit is about 5 to 15 mA. This current level is interpreted as logic high level at CLL-pin. The external unit can switch on an additional current of 30 mA, interpreted by the interface as logic low. The current changes within approximately 1 μ s, sufficient for a transmission rate of about 60 kBaud, requiring a transmission bandwidth of about 500 kHz for the current-monitoring subcircuit and the OCM output. For a good current transmission behaviour, the dynamic resistance of OUTx may not exceed 12 Ω inside the bandwidth range (total of 15 Ω for OUTx and RETURN).

The OUTx- voltage can be switched off by ENABLEx = LOW to reset the external unit and to reduce power dissipation during fault conditions.

The OUT pins are overtemperature- and short-circuit protected. A reverse polarity diode at Pin V_S (Pin 4) ensures that no current is fed back to the V_{Batt} -system in the case of a short between OUTx and V_{Batt} . A minimum capacity of 33 nF is required at the pins OUTx .

ENABLE1, ENABLE2

ENABLEx is a microcontroller-compatible input which switches the related output on or off.

- Low or open circuit applied to ENABLEx switches the related OUTx and RETURNx off (high impedance). A sink current at Pin OUTx discharges the capacitive load.
- High applied to ENABLEx switches the related OUTx and RETURNx on to supply the external unit.

OCM1, OCM2

The output current of OUTx is monitored with a transmission factor of 0.1 to the OCMx. With a resistor from OCM to GND, the current is converted to a voltage. The electrical characteristics are specified by $R_{OCM} = 750 \Omega$. The CLL-current threshold, the OUT-current limitation and the OUT-current detection can be changed by varying R_{OCM} in a range from 500 Ω to 1 k Ω .

The current monitoring enables to detect overcurrent conditions at OUTx (short circuit to GND or RETURNx) and to detect low current conditions at OUTx (short circuit to V_{Batt} or open load).

The internal pull-down current at the OUTx creates no OCMx-current. During enable, the minimum voltage at OCMx is the saturation voltage of an internal NPN-transistor with typically 0.1 V. The maximum voltage at OCM is limited by an internal clamping diode to 5.3 V.

CLL1, CLL2

The current at Pin OUTx is logical evaluated and ready to use for a microcontroller input. With this stage, the

logic data transmission from the external unit to the interface is completed.

CLLx is the output stage of a comparator with an internal threshold and with the OCMx input. A OCMx-voltage higher than 2.4 V creates a logic low at CLLx, and a OCMx-voltage lower than 1.43 V creates a logic high at CLLx. The comparator has an internal hysteresis with typically 0.4 V.

With the pull-down resistor $R_{OCMx} = 750 \Omega$ at OCMx, the correct OUTx-current threshold related to the logical output CLLx is ensured. The CLLx is 'low' if the OUTx-current is higher than 27.3 mA, and the CLLx is 'high', if the OUTx-current is lower than 19.1 mA. The comparator has an internal hysteresis of typically 5 mA. The tolerance of the R_{OCM} resistor is assumed to be 0%.

The CLL-pin is an open-collector output and needs a pull-up resistor of typically 2 k Ω to the 5-V supply. For ESD protection, a 7-V Zener diode is implemented.

RETURN 1, RETURN 2

The RETURNx pin provides a low-ohmic connection to GND via a switched open-collector NPN-transistor. If ENABLEx is high, RETURNx is switched on with a saturation voltage less than 0.5 V at $I_{RETURNx} \leq 50$ mA. If ENABLEx is low or open, RETURNx is a current sink with ≤ 2 mA. RETURNx is current-limited at typically 150 mA.

SC

The smooth capacitor is designed to realize the long-time constant for the slow voltage change at OUTx for both interface channels. The capacity is typ. 22 nF. At the rising edge of V_{Batt} , the maximum slew rate is $V_{OUTx} = 5$ V/ms, and at the falling edge of V_{Batt} , the maximum slew rate is $V_{OUTx} = 10$ V/ms.

GND-Pins

By means of a GND bond from the chip to Pin 1 and Pin 8, high ground breakage security is achieved and lowest voltage drop and ground shift between IC- and circuit ground is provided. The four GND pins and the die pad are directly connected to the copper leadframe, resulting in a very low thermal resistance, R_{thJC} . In order to achieve a good thermal resistance, R_{thJA} , a good copper connec-

tion from the four GND pins to the metal parts of the modul housing is also recommended.

Power Dissipation

Worst case calculation of the supply current I_S :

$$I_S = 1,278 \times (I_{OUT1} + I_{OUT2}) + 18 \text{ mA}$$

Worst case calculation of the IC's power dissipation P_V :

$$P_V = (V_S \times I_S) - [(V_S - V_{diff} - V_{ret-sat}) \times (I_{OUT1} + I_{OUT2}) + R_{OCM} \times ((I_{OUT1}^2 + I_{OUT2}^2) / 81)]$$

V_S = supply voltage 5.7 to 25 V

voltage difference V_S to V_{OUTx}

V_{diff} = 3.6 at $12 \text{ V} \leq V_S \leq 25 \text{ V}$

V_{diff} = 0.8 at $5.7 \text{ V} \leq V_S \leq 8.5 \text{ V}$

$V_{ret-sat}$ = 0.5 V saturation voltage return

I_{OUTx} = output current at Pin OUTx = 0 to 60 mA

R_{OCM} = resistor at Pin OCMx

Selective Overtemperature Protection

An overtemperature protection is integrated which generates a switch-off signal at a chip temperature of typically $T_j = 160^\circ\text{C}$ and a switch-on signal at typically $T_j = 150^\circ\text{C}$.

In case of a detected overtemperature, only the corresponding channel is disabled. The other channel stays enabled.

The RETURNx is switched off if the voltage at RETURNx is higher than 2 V (short-circuit comparator threshold) and overtemperature is detected.

The OUTx is switched off if the voltage at OCMx is higher than 4.6 V (overcurrent detection level) and overtemperature is detected. The OCM voltage monitors the output current at OUTx via the current ratio of 0.1. The overcurrent-detection level of OUTx can be varied by changing the OCMx resistor. If OUTx is switched off by overtemperature and overcurrent detection, the CLLx output remains logic low (overcurrent).

As the IC is only overtemperature-protected for short-circuit conditions at RETURNx or OUTx, it has to be checked in each application that the chip temperature does not exceed $T_{jmax} = 150^\circ\text{C}$ in normal operation.

Test Hint

The overtemperature signal can be activated by connecting ENABLE1 or ENABLE2 to 9 V/ 10 mA.

Absolute Maximum Ratings

Parameters	Symbol	Min.	Typ.	Max.	Unit
Supply voltage	V_S	-0.6		40	V
Voltage at pins CLL1, CLL2, ENABLE1, ENABLE2		-0.3		6	V
Voltage at SC	V_{SC}	-0.3		30	V
Voltage at OCM1, OCM2	V_{OCMx}	-0.3		6.8	V
Voltage at RETURN1, RETURN2	$V_{RETURNx}$	-1		27	V
Voltage at OUT1, OUT2	V_{OUTx}	-1		40	V
Current at supply (both channels OUTx and RETURNx shorted)	I_S			240	mA
Current at logical pins: CLL1, CLL2 ENABLE1, ENABLE2	I_{CCLx} $I_{ENABLEx}$			3 0.1	mA mA
Current at SC (SC related to GND or V_{Batt})	I_{SC}	-110		220	μ A
Current at pins to external unit OUT1, OUT2, RETURN1, RETURN2			internal limited		
ESD classification Human body model (100 pF, 1.5 k Ω) Machine model (200 pF, 0.0 Ω)	All pins	± 2000 ± 200			V V
Ambient temperature range	T_{amb}	-40		95	$^{\circ}$ C
Junction temperature range	T_j	-40		150	$^{\circ}$ C
Storage temperature range	T_{stg}	-55		125	$^{\circ}$ C

Thermal Resistance

Parameters	Symbol	Value	Unit
Junction to pin	R_{thJC}	36	k/W
Junction ambient is reachable with a big pad size for GND near a screw or the metal housing	R_{thJA}	65	k/W

Electrical Characteristics

$T_{amb} = -40$ to 95° C and $T_j = -40$ to 150° C,
operation supply voltage range 5.7 to 18 V continuously, ≤ 25 V for max. 25 min, ≤ 40 V for up to 500 ms.
The current values are based on the 750 Ω 0% resistor at OCM1/OCM2

Parameters	Test Conditions / Pins	Symbol	Min.	Typ.	Max.	Unit
Supply current $T_j \geq 125^{\circ}$ C	Outputs disabled, $V_S \leq 18$ V	I_S			8	mA
	Outputs disabled, $V_S \leq 40$ V	I_S			14	mA
	One output enabled, $V_S \leq 18$ V	I_S			13	mA
	Both outputs enabled, $V_S \leq 18$ V	I_S			18	mA
	Output load 2×15 mA, $V_S \leq 18$ V	I_S			56	mA
	Output load 2×28 mA, $V_S \leq 18$ V	I_S			90	mA
	Output load 2×50 mA, $V_S \leq 18$ V	I_S			146	mA
	Output load 2×60 mA, $V_S \leq 18$ V ($T_j > 125^{\circ}$ C)	I_S			171	mA
Both channels OUTx and RETURNx shorted, $V_S \leq 18$ V	I_S			200	mA	
Function SC						

Parameters	Test Conditions / Pins	Symbol	Min.	Typ.	Max.	Unit
Voltage at SC	$V_S = 5.7 \text{ V}$	V_{SC}	5.1		5.3	V
Voltage at SC	$V_S = 12.5 \text{ V}$	V_{SC}	9		9.4	V
Maximal voltage at SC	$V_S = 40 \text{ V}$	V_{SCmax}			30	V
SC-discharge current	Voltage SC = $V_{SC} - 3 \text{ V}$ $5.7 \text{ V} \leq V_S \leq 40 \text{ V}$	I_{SC_dis}	33		82	μA
SC-charge current	Voltage SC = $V_{SC} - 3 \text{ V}$ $5.7 \text{ V} \leq V_S \leq 40 \text{ V}$	I_{SC_ch}	-58		-20	μA
Function OUT1 and OUT2 (see figure 4)						
Voltage difference, V_S to V_{OUTx}	$I_{OUTx} = 5$ to 50 mA $5.7 \text{ V} \leq V_S \leq 8.5 \text{ V}$ $12 \text{ V} \leq V_S \leq 25 \text{ V}$	V_{diff_low}	0.3		0.8	V
		V_{diff_high}	2.6		3.6	V
Output voltage $OUTx$	$8.5 \text{ V} \leq V_S \leq 11.3 \text{ V}$	V_{OUT_med}	7.7			V
Maximal voltage at $OUTx$	$V_S = 40 \text{ V}$	V_{OUT_max}	25		30	V
Current mirror ratio, I_{OCMx}/I_{OUTx}	$V_S \leq 40 \text{ V}$, $I_{OUTx} = 5$ to 15 mA $V_S \leq 25 \text{ V}$, $I_{OUTx} = 15$ to 50 mA $V_S \leq 40 \text{ V}$, $I_{OUTx} = 15$ to 50 mA	I_{OUT_ratio}	0.09		0.12	
			0.10		0.11	
			0.097		0.11	
Linearity of mirror ratio I_{OCMx}/I_{OUTx}		Ratio_lin	-5		5	%
Dynamic resistance $OUTx$	$V_S \leq 40 \text{ V}$ $I_{OUT} = 15$ to 50 mA	R_{OUT}	2		12	Ω
Dynamic resistance $OUTx + RETURNx$	$V_S \leq 40 \text{ V}$ $I_{OUT} = 15$ to 50 mA	R_{Dyn}	4		15	Ω
$OUTx$ current limitation ($OUTx$ short to GND)	$V_S \leq 18 \text{ V}$ $V_S \leq 40 \text{ V}$	I_{OUT_lim}	-80		-60	mA
			-105		-60	mA
Overcurrent detection level general	$T_j < 125^\circ\text{C}$	I_{OUT_det}	-70		-51	mA
Overcurrent detection level	$T_j \geq 125^\circ\text{C}$ Always valid: current limitation is higher than overcurrent detection	I_{OUT_det}	-60		-51	mA
Maximum $OUTx$ current ($OUTx$ short to GND)	$V_S = 14 \text{ V}$, OCMx shorted to GND	I_{OUT_max}	-140		-85	mA
Leakage current at disabled $OUTx$	OUT short to GND $V_S \leq 25 \text{ V}$ OUT short to GND $V_S \leq 38.5 \text{ V}$	I_{OUT_leak}	-0.02			mA
			-12			mA
Leakage voltage at disabled $OUTx$	OUT open $V_S \leq 38.5 \text{ V}$	V_{OUT_leak}			4.3	V
Internal pull-down current	$V_S \leq 18 \text{ V}$ $V_S \leq 40 \text{ V}$	I_{OUT_sink}	1.8		4	mA
			2.5		4.5	mA
Supply rejection-ratio	$V_{SC} = 7.6 \text{ V}$	V_{rej_mV}			80	mV
Supply rejection-ratio	Variation of V_S 8.4 to 40 V in $10 \mu\text{s}$	V_{rej_dB}	51.9			dB
Minimum capacity at $OUTx$ for phase margin		C_{OUT_min}	33			nF
Delay time with $C_{out} = 47 \text{ nF}$	Switching on ENABLE = 1 to 90% V_{OUT} reached Switching off ENABLE = 0 to 10% V_{OUT} reached	Enable_on	3		30	μs
		Enable_off	30		100	μs
Function OCM1, OCM2						

Parameters	Test Conditions / Pins	Symbol	Min.	Typ.	Max.	Unit
Voltage threshold CLL-comparator	CLLx low-level voltage threshold	V_{CLL_L}	1.75		2.4	V
	CLLx high-level voltage threshold	V_{CLL_H}	1.43		1.9	V
	Voltage hysteresis	V_{CLL_hys}	0.26		0.6	V
Minimal voltage at OCMx	$I_{OUT} = 0$ to 5 mA	V_{OCM_min}			0.5	V
Current-limitation level	$V_S \leq 40$ V OUTx short to GND	V_{OCM_lim}	4.3		5.3	V
Overcurrent-detection level	$V_S \leq 40$ V	V_{OCM_det}	4.2		4.9	V
Current limitation minus overcurrent detection	$V_{OCM_lim} - V_{OCM_over}$	Δ_{lim_OCM}	0.15		0.5	V
Intern. pull-down current		I_{OCM_sink}	0.1		0.45	mA
Function RETURN1, RETURN2						
Enable high saturation voltage	$I_{RETURN} = 50$ mA	V_{ret_sat}			0.5	V
Dynamic resistance	$dI \geq 10$ mA	R_{ret}	2		8	Ω
Current limitation RETURNx is always higher than current limitation OUTx	Enable high, $V_{RETURNx} = 2$ V	I_{ret_lim}	60		150	mA
	Enable high, $V_{RETURNx} \leq 18$ V	I_{ret_lim}	70		200	mA
	Enable low $V_{RETURNx} \leq 18$ V	I_{ret_lim}	0.8		2	mA
Overcurrent-detection level	Threshold comparator, switch-off return	I_{ret_low}	1.4		2	V
	Threshold comparator, switch-on return	I_{ret_high}	1.1		1.5	V
	Hysteresis	I_{ret_hys}	0.2		0.7	V
Delay time $C_{RETURN} = 47$ nF	Switching on I_{RETURN} at 50 mA	t_{dRet_on}	3		30	μ s
	Switching off I_{RETURN} at 1 mA	t_{dRet_off}	30		90	μ s
Function CLL1, CLL2 (CLLx with 2 kΩ to 5 V)						
I_{OUT} threshold CLL comparator	$R_{OCM} = 750$ Ω					
	CLL low-level threshold	I_{CLL_L}	23.3		27.3	mA
	CLL high-level threshold	I_{CLL_H}	19.1		22.3	mA
	Hysteresis	I_{CLL_hys}	3.5		8.2	mA
CLL saturation voltage	$I_{CLL} \leq 2.5$ mA	V_{CLL_sat}			0.4	V
CLL leakage current	$V_{CLL} \leq 6.5$ V	I_{CLL_leak}			1	μ A
Response time to current change	I_{OUT} to CLL rise	t_{CIL_rise}	0.1		2	μ s
	I_{OUT} to CLL fall	t_{CIL_fall}	0.1		2	μ s
	Max. difference between rise and fall time	$t_{\Delta\text{-rise-fall}}$			1	μ s
CLL output switching speed	Rise	t_{CLL_rise}			1	μ s
	Fall	t_{CLL_fall}			1	μ s
Current transmission rate			60			kHz
Current transmission 3 dB bandwidth			500			kHz
Function ENABLE1, ENABLE2						
Enable low-level threshold		V_{Enable_off}	2		6.5	V
Enable high-level threshold		V_{Enable_on}	-0.3		0.8	V

Parameters	Test Conditions / Pins	Symbol	Min.	Typ.	Max.	Unit
Enable input pull-down current (to ensure output disabled during power-off and reset of micro-controller)		I_{Enable}	10		100	μA
Power dissipation						
Power dissipation 1 $T_j \geq 125^\circ C$	$V_S = 18 V$, $I_{OUT1} = 28 mA$, I_{OUT2} at overcurrent detection level or $I_{OUT2} = 28 mA$, I_{OUT1} at overcurrent detection level	P_{dis1}			1	W
Power dissipation 2 $T_j \geq 125^\circ C$	$V_S = 18 V$, $I_{OUT1} = I_{OUT2} = 28 mA$	P_{dis2}			0.75	W
Selective overtemperature protection						
Logic AND connected with overcurrent detection (RETURNx, OUTx)	Switch off	Temp_off	155		165	$^\circ C$
	Switch on	Temp_on	145		155	$^\circ C$
	Hysteresis	Temp_hys	5		20	$^\circ C$
Time delay until over-temperature shut-down	$V_S = 25 V$, $T_{amb} = 125^\circ C$ $OUT1 = OUT2 = GND$	t_{del}	100			ms

Timing Diagrams

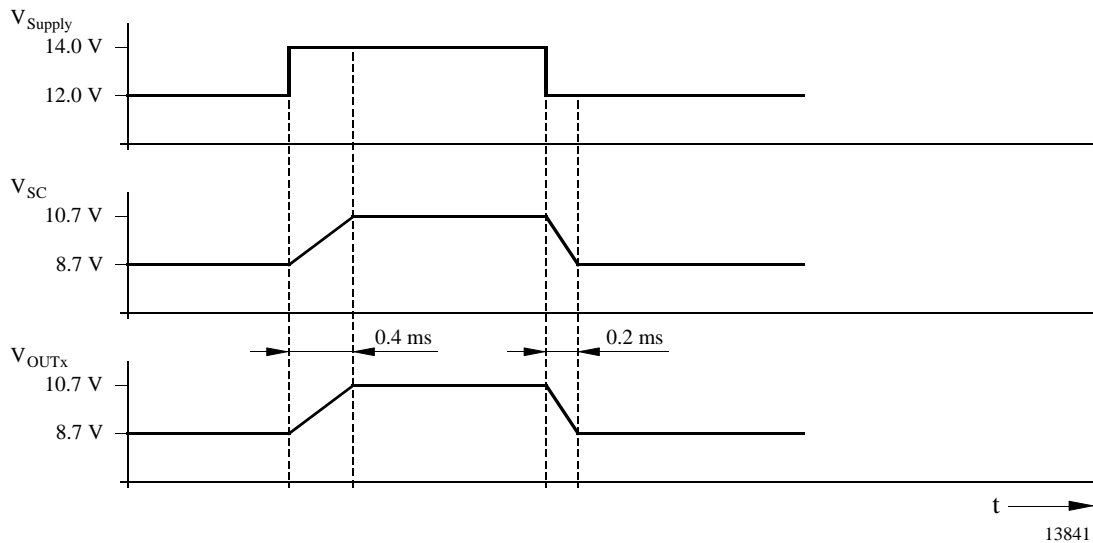


Figure 5. Variation of power supply

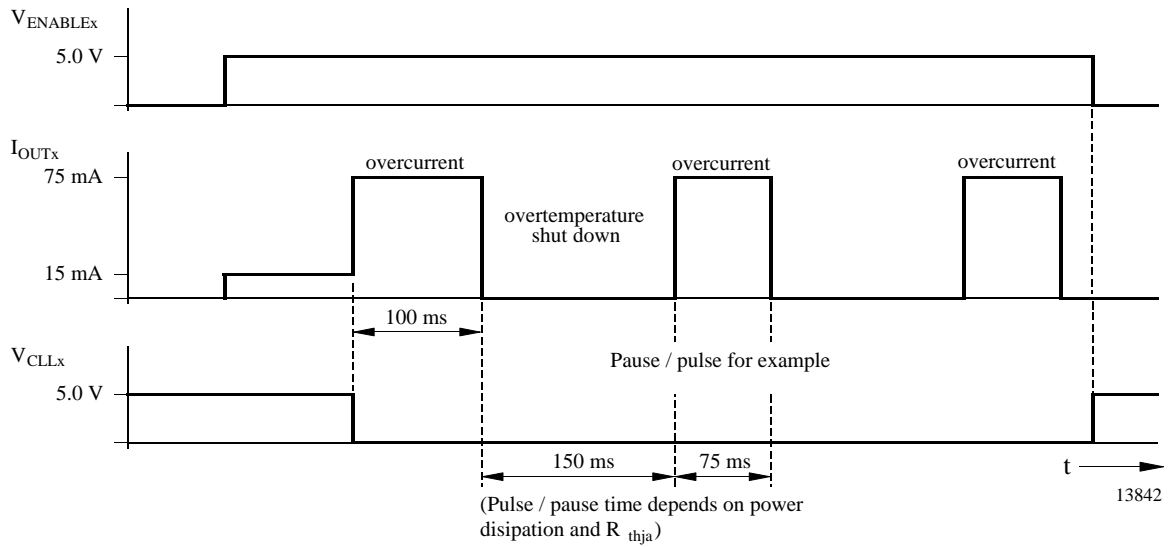


Figure 6. Overcurrent protection

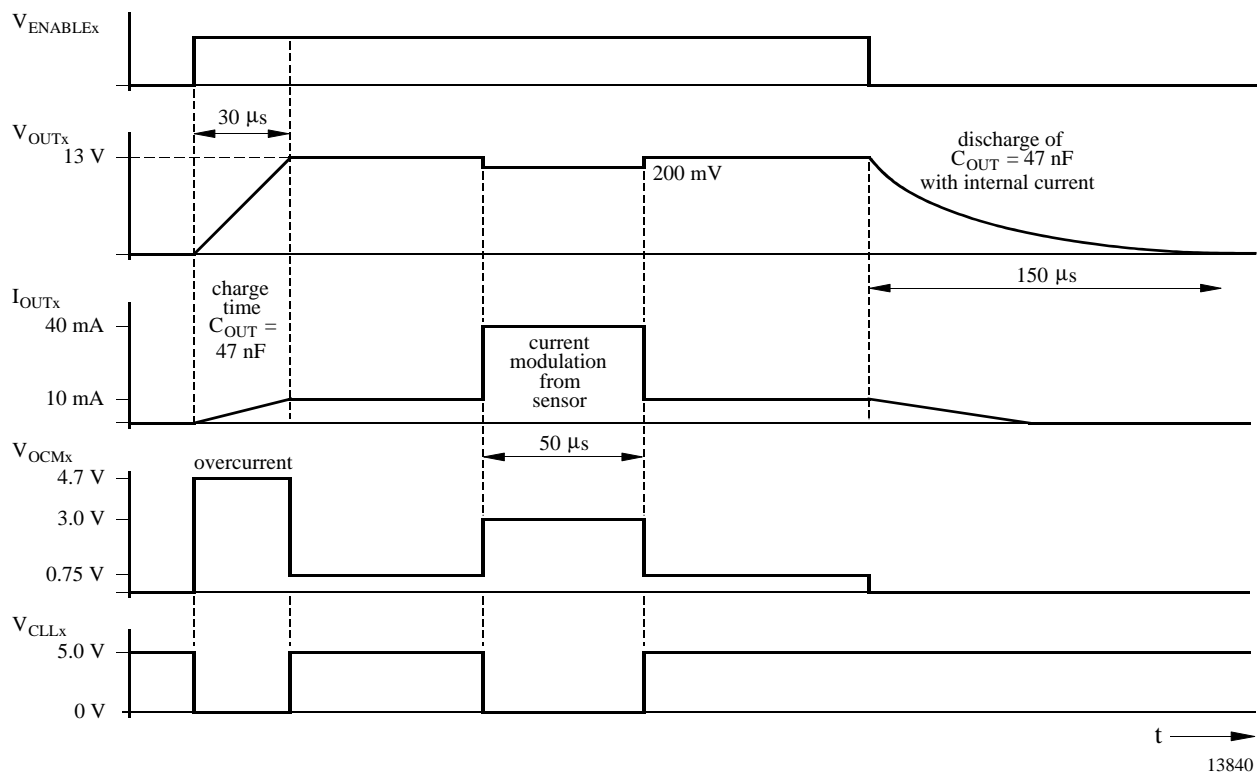
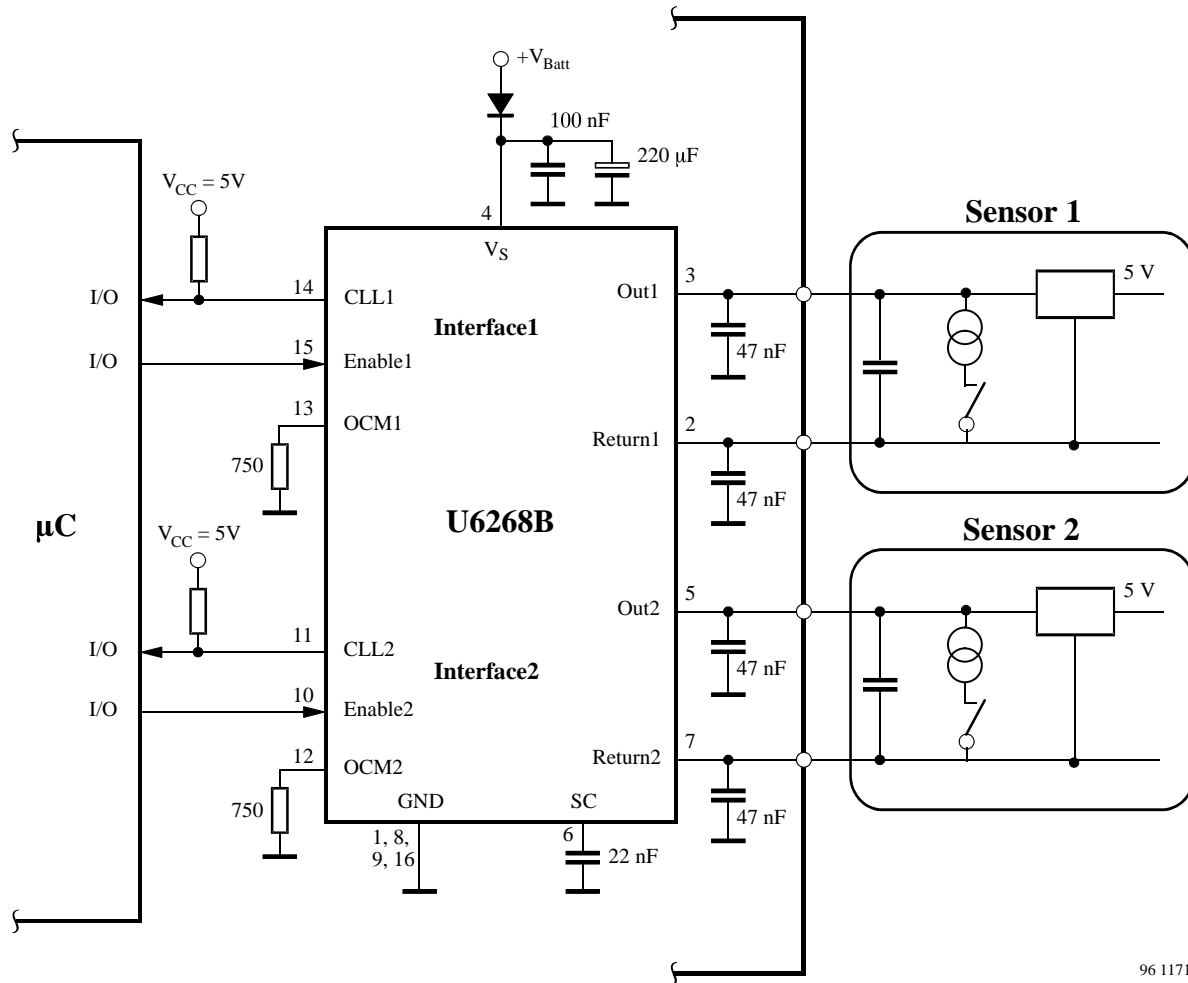


Figure 7. Data transmission

Application Circuit

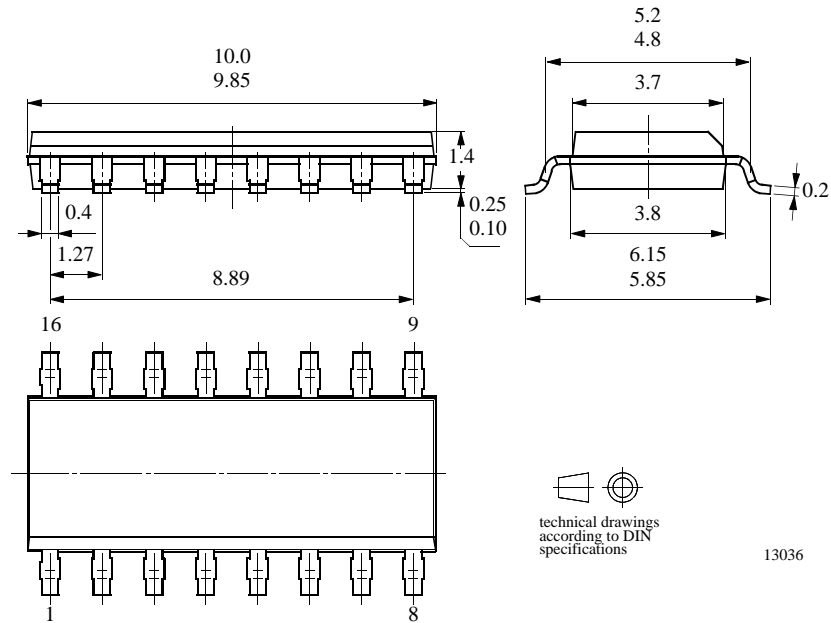


96 11710

Package Information

Package SO16

Dimensions in mm



Ozone Depleting Substances Policy Statement

It is the policy of **TEMIC TELEFUNKEN microelectronic GmbH** to

1. Meet all present and future national and international statutory requirements.
2. Regularly and continuously improve the performance of our products, processes, distribution and operating systems with respect to their impact on the health and safety of our employees and the public, as well as their impact on the environment.

It is particular concern to control or eliminate releases of those substances into the atmosphere which are known as ozone depleting substances (ODSs).

The Montreal Protocol (1987) and its London Amendments (1990) intend to severely restrict the use of ODSs and forbid their use within the next ten years. Various national and international initiatives are pressing for an earlier ban on these substances.

TEMIC TELEFUNKEN microelectronic GmbH semiconductor division has been able to use its policy of continuous improvements to eliminate the use of ODSs listed in the following documents.

1. Annex A, B and list of transitional substances of the Montreal Protocol and the London Amendments respectively
2. Class I and II ozone depleting substances in the Clean Air Act Amendments of 1990 by the Environmental Protection Agency (EPA) in the USA
3. Council Decision 88/540/EEC and 91/690/EEC Annex A, B and C (transitional substances) respectively.

TEMIC can certify that our semiconductors are not manufactured with ozone depleting substances and do not contain such substances.

We reserve the right to make changes to improve technical design and may do so without further notice.

Parameters can vary in different applications. All operating parameters must be validated for each customer application by the customer. Should the buyer use TEMIC products for any unintended or unauthorized application, the buyer shall indemnify TEMIC against all claims, costs, damages, and expenses, arising out of, directly or indirectly, any claim of personal damage, injury or death associated with such unintended or unauthorized use.

TEMIC TELEFUNKEN microelectronic GmbH, P.O.B. 3535, D-74025 Heilbronn, Germany
Telephone: 49 (0)7131 67 2831, Fax number: 49 (0)7131 67 2423