

Mono FM Sound Demodulator for TV Systems

Description

The U2861B is an alignment-free FM sound demodulator for all TV FM standards from 4.5 MHz up to 6.5 MHz (standard M, B/G, I, D/K). The circuit includes two

switchable audio inputs and volume control. With a 5-V supply voltage, the U2861B is suitable for TV, VCR and Multimedia applications.

Features

- Completely alignment-free
- PLL demodulator for FM intercarrier sound IF signals (mono)
- Complete SCART interface for audio signals
- Input for external audio signals (AM audio signal in multistandard TV sets)
- Sound IF input provided for ceramic filters
- Very few external components
- Volume control by DC voltage
- 5-V supply voltage; low-power consumption

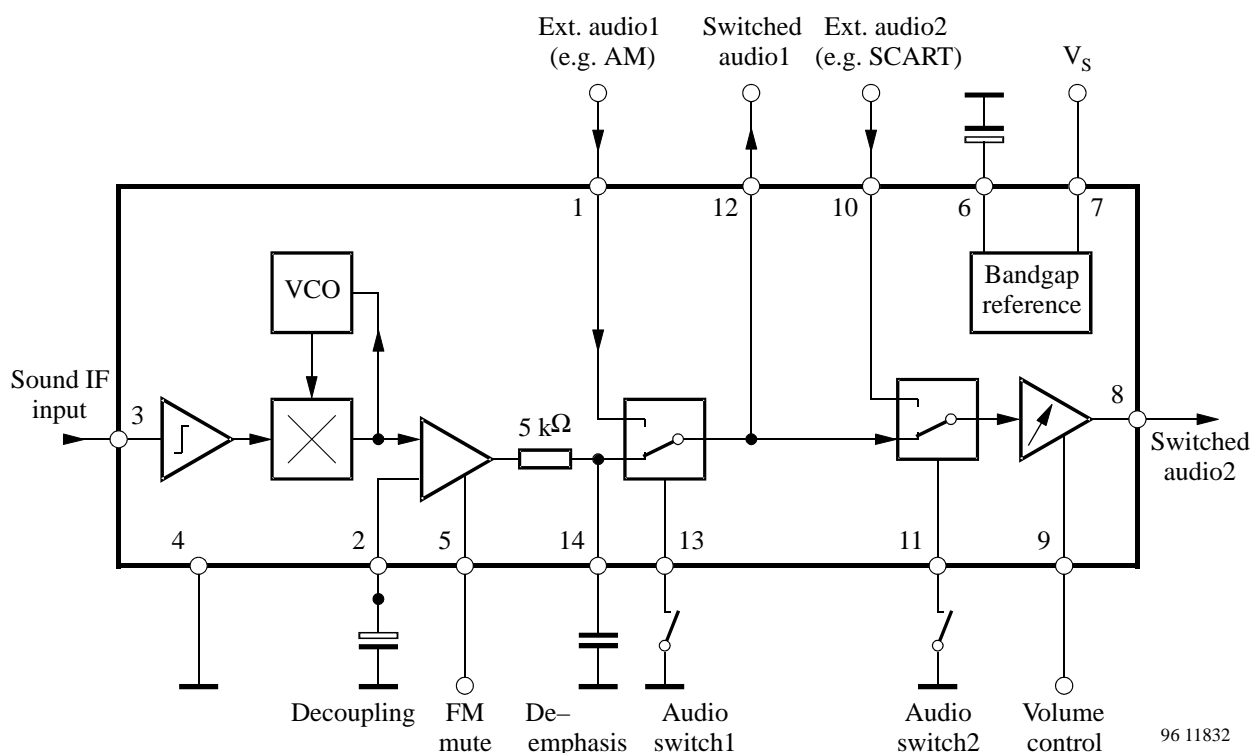


Figure 1. Block diagram

Ordering Information

Extended Type Number	Package	Remarks
U2861B – MDP	DIP14	
U2861B – MFP	SO14	Delivery in taped form

Circuit Description

Sound IF Limiter Amplifier

The intercarrier signal coming from the sound filter is fed to a 7-stage limiter amplifier. This guarantees high input sensitivity and excellent AM suppression.

PLL – FM Demodulator

The alignment-free "Phase-Locked-Loop" (PLL) FM demodulator covers a wide frequency range of 4.5 MHz up to 6.5 MHz with excellent noise performance. Due to the fact that the voltage-to-frequency characteristic is linear, a low harmonic distortion can be achieved. The free-running frequency of the internal VCO circuit is about 5.5 MHz.

The demodulated FM signal is led via de-emphasis and buffered to Pin 12. The de-emphasis low pass filter consists of an internal 5-k Ω series resistor and an external capacitor at Pin 14. The FM muting is possible by switching Pin 5 to ground.

External Audio Input

The first audio switch (Pin 13) has inputs for the demodu-

lated FM signal and the external AF1 signal from Pin 1. For multistandard purposes, it is possible to handle internal FM and external AM audio signals. The audio output of this switch is permanently available at Pin 12 (e. g. for SCART interface).

SCART – Audio Processing

The second audio switch (Pin 11) has inputs for the audio signal from switch 1 and the external AF2 signal at Pin 10. The switched AF signal is fed to output Pin 8. The output voltage can be controlled by a DC voltage at Pin 9.

SCART Control Switch

The common selector switch is controlled by a DC voltage at Pin 11. In "internal mode" the demodulated signal is selected. For the selection of the audio signal supplied via SCART socket, the "external mode" has to be switched on.

Internal Voltage Stabilizer

The internal bandgap reference ensures constant performance independent of supply voltage and temperature.

Pin Description

Pin	Symbol	Function
1	$v_{i,AF1}$	Audio input 1 (e.g. AM signal)
2	C_{dec}	Decoupling capacitor
3	$v_{i,SIF}$	FM sound IF input
4	GND	Ground
5	V_{mute}	FM mute switch
6	C_{ref}	Internal reference voltage
7	V_s	Supply voltage
8	$v_{o,AF2}$	Switched audio output 2
9	V_{vol}	Volume control
10	$v_{i,AF2}$	Audio input 2 (e.g. from SCART)
11	V_{sw2}	Audio switch 2
12	$v_{o,AF1}$	Switched audio output 1
13	V_{sw1}	Audio switch 1
14	C_{dem}	De-emphasis and mute switch

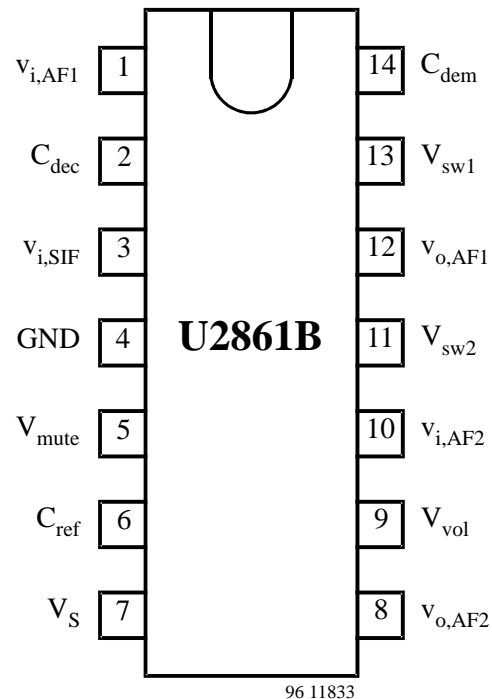


Figure 2. Pinning

Absolute Maximum Values

Reference point Pin 4, unless otherwise specified

Parameters	Symbol	Value	Unit
Supply voltage Pin 7 DIP14 package SO14 package	V_s	9.0 6.0	V V
Supply current Pin 7	I_s	25	mA
Power dissipation $V_s = 9\text{ V}$ $V_s = 6\text{ V}$	P	225 150	mW mW
Output currents Pin 8, 12	I_{out}	1.0	mA
External voltages Pin 1, 2, 3, 5, 6, 8, 9, 10, 11, 12, 13, 14	V_{ext}	+ 4.5	V
		+ 13.5	V
Ambient temperature	T_{amb}	-10 to +85	°C
Junction temperature	T_j	+125	°C
Storage temperature	T_{stg}	-25 to +125	°C
Electrostatic handling *) all pins	V_{ESD}	+/- 200 V	V

*) equivalent to discharge a 200-pF capacitor through a 0-Ω resistor

Thermal Resistance

Parameters	Symbol	Value	Unit
Junction ambient when soldered to PCB DIP14 package SO14 package	R_{thJA}	90 140	K/W K/W

Electrical Characteristic

$V_s = +5\text{ V}$, $T_{amb} = +25^\circ\text{C}$; reference point Pin 4, unless otherwise specified

Parameters	Symbol	Test Condition	Min.	Typ.	Max.	Unit
DC-supply: (Pin 7)						
Supply voltage DIP14 package SO14 package	V_s		4.5	5.0	9.0	V
			4.5	5.0	6.0	V
Supply current	I_s			20	25	mA
FM sound IF input: (Pin 3)						
Input limiting voltage, RMS value	$v_{i,SIF}$	AF output signal at pin 8 and pin12: -3 dB			150	μV_{RMS}
DC input voltage	V_{DC}			1.7		V
Input resistance	R_{in}	See note 1		600	750	Ω
Input capacitance	C_{in}	See note 1		1.5		pF
FM – PLL:						
Free-running frequency	f_{vco}			5.5		MHz
Oscillator drift (free running) as function of temperature	Δf_{vco}	$\Delta T = 55^\circ\text{C}$		500		kHz
Oscillator shift (free running) as function of supply voltage	Δf_{vco}	$4.5\text{ V} < V_s < 9.0\text{ V}$		200		kHz
Capture range of PLL	Δf_{cap}		± 1.4	± 1.9		MHz
Holding range of PLL	Δf_{hold}		± 2.0	± 2.5		MHz
Decoupling capacitor: (Pin 2)						
Value of decoupling capacitor	C_{dec}			2.2		μF
De-emphasis capacitor: (Pin 14)						
Value of de-emphasis capacitor	C_{dem}	$\tau = 50\mu\text{s}$		10		nF
Switched audio output 2: (Pin 8)						
DC output voltage	V_{DC}			2.2		V
Output resistance	R_{out}			130		Ω
AC output peak current	i_{AC}				± 1.0	mA
DC output current	I_{DC}				-1.2	mA
AF output voltage, RMS value	$v_{o,AF2}$	$v_{\text{in}} = 10\text{ mV}$, $f = 5.5\text{ MHz}$, FM-dev. = 27 kHz, $f_{\text{mod}} = 1\text{ kHz}$		500		mV_{RMS}
Total harmonic distortion	THD	$v_{\text{in}} = 10\text{ mV}$, $f = 5.5\text{ MHz}$, FM-dev. = 27 kHz, $f_{\text{mod}} = 1\text{ kHz}$		0.1	0.5	%
AM suppression	a_{AM}	$v_{\text{in}} = 10\text{ mV}$, $f = 5.5\text{ MHz}$, $f_{\text{mod}} = 1\text{ kHz}$, <u>reference signal:</u> FM-dev. = 27 kHz <u>test signal:</u> $m = 30\%$	42	60		dB
Supply voltage ripple rejection	RR	$V_{\text{RR}} < 200\text{ mV}$, $f = 70\text{ Hz}$		30		dB

Electrical Characteristics

$V_s = +5\text{ V}$, $T_{\text{amb}} = +25^\circ\text{C}$; reference point Pin 4, unless otherwise specified

Parameters	Symbol	Test Condition	Min.	Typ.	Max.	Unit
External audio input 1: (Pin 1)						
Input resistance	R_{in}			50		$\text{k}\Omega$
Internal DC bias voltage	V_{DC}			3.0		V
AF1 input signal	$V_{\text{i,AF1}}$				900	mV_{RMS}
Mode selection audio switch 1: (Pin 13)						
Control voltage: FM demodulation external audio signal	V_{sw1}	See note 2	2.0 0		4.5 0.8	V V
Switching current	I_{sw1}				70	μA
Audio input 2: (Pin 10)						
Input resistance	R_{in}			50		$\text{k}\Omega$
Internal DC bias voltage	V_{DC}			3.0		V
AF2 input signal	$V_{\text{i,AF2}}$				900	mV_{RMS}
Switched audio output 1: (Pin 12)						
DC output voltage	V_{DC}			2.3		V
AF output voltage	$V_{\text{o,AF}}$			500		mV_{RMS}
Output resistance	R_{out}			130		Ω
Mode selection audio switch 2: (Pin 11)						
Control voltage: External audio VCR mode or VCR mode	V_{sw}	See note 3	0 4.0	2.8	1.5 12.0	V V V
Switching current	I_{sw}				60	μA
Volume control: (Pin 9)						
AF control range	ΔAF			80		dB
Control voltage: minimal volume maximal volume	V_{vol}		0	4	4.5	V V
Mute switch: (Pin 5)						
Control voltage for "mute off"	V_{mute}	AF "on"	2.1	2.9	4.5	V
Control voltage for "mute on"	V_{mute}	AF "off"	0		1.5	V

Notes:

- This parameter is given as an application information and is not tested during production.
- Without control voltage at Pin 13, the internal FM demodulation mode is automatically switched on.
- Without control voltage at Pin 11, the internal FM or external audio signal is automatically switched on.
With $V_{11} < 1.5\text{ V}$ or $V_{11} > 4.0\text{ V}$ SCART input Pin 10 is selected.
- Without control voltage at Pin 5, the mute function is not active.

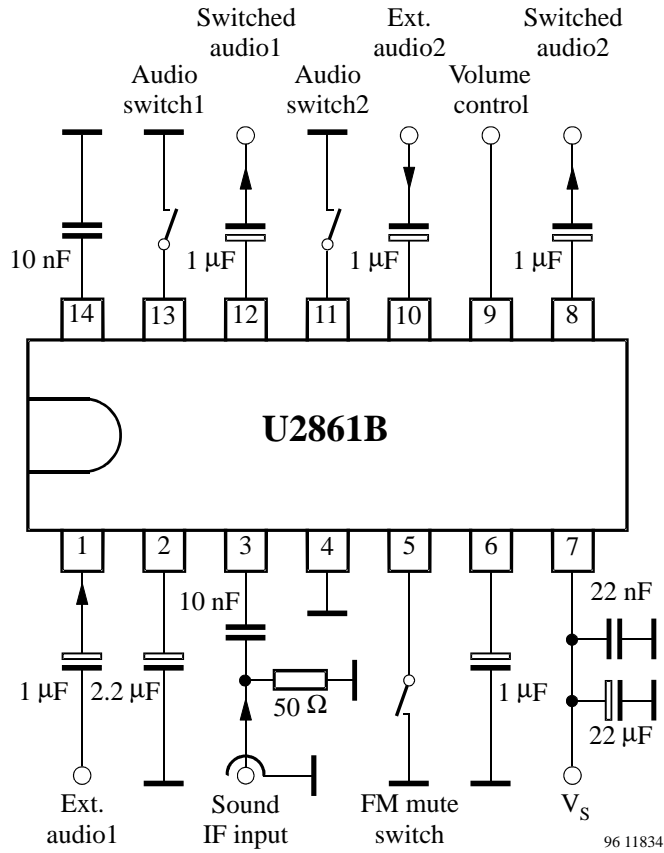


Figure 3. Test circuit

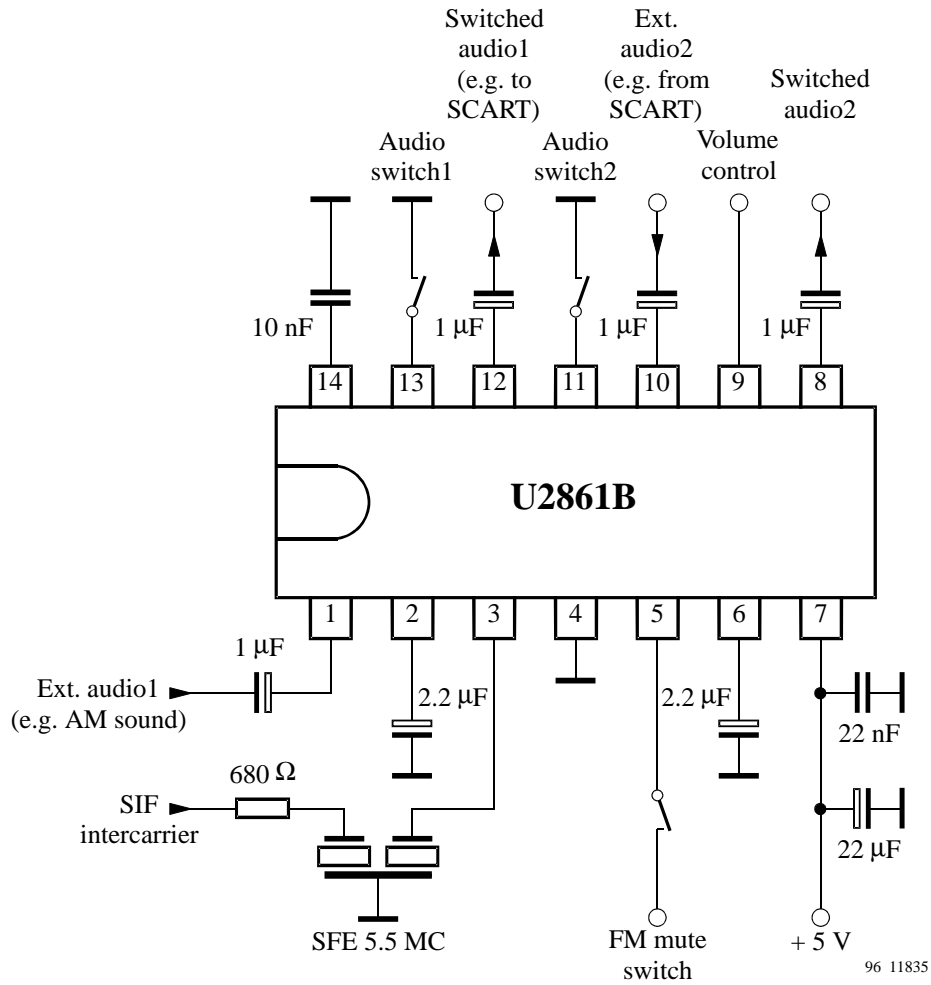
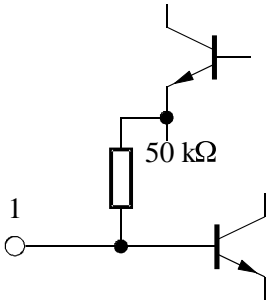


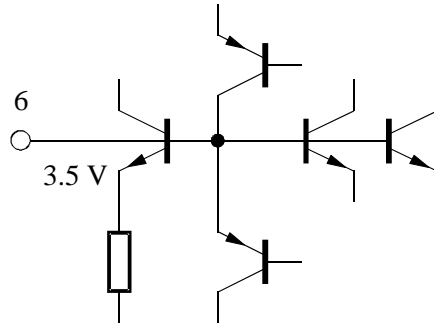
Figure 4. Basic application circuit

Internal Pin Configuration



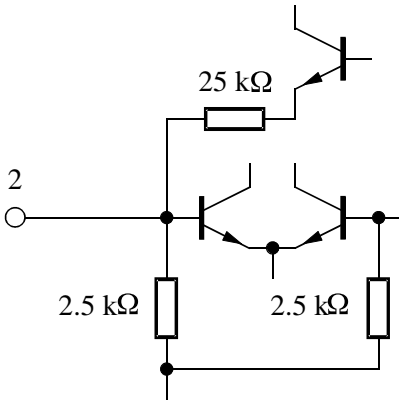
96 11836

Figure 5. Extern audio input (Pin 1)



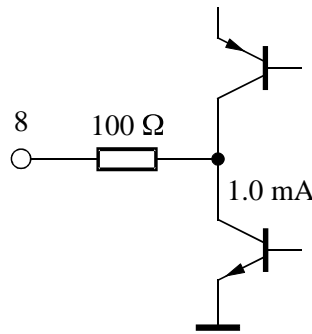
96 11839

Figure 8. Internal reference voltage (Pin 6)



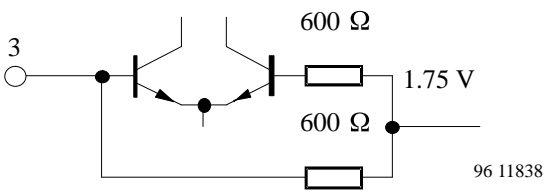
96 11837

Figure 6. Decoupling capacitor and mute switch (Pin 2)



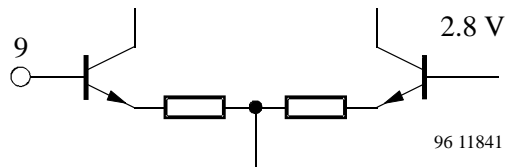
96 11840

Figure 9. Audio output (Pin 8)



96 11838

Figure 7. FM sound IF input (Pin 3)



96 11841

Figure 10. Volume control (Pin 9)

Internal Pin Configuration (continued)

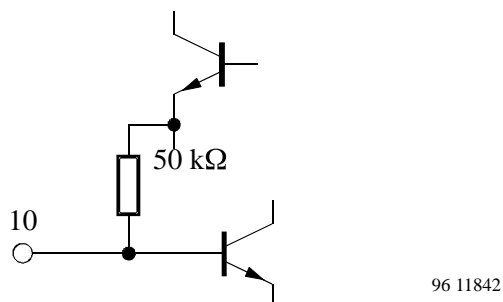


Figure 11. Audio input SCART (Pin 10)

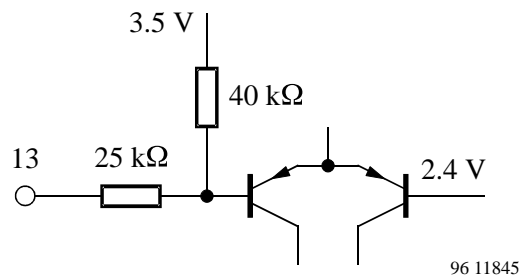


Figure 14. Switch internal FM / external audio (Pin 13)

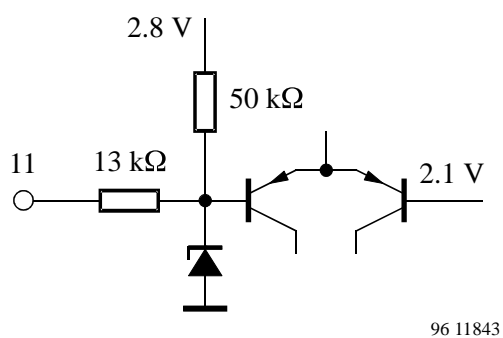


Figure 12. SCART switch (Pin 11)

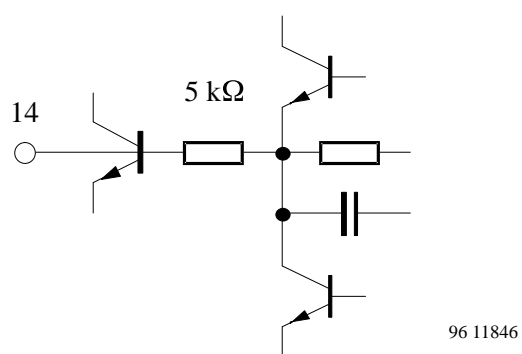


Figure 15. De-emphasis (Pin 14)

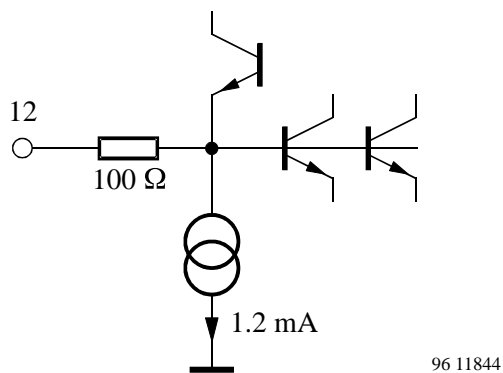


Figure 13. Audio output - SCART (Pin 12)

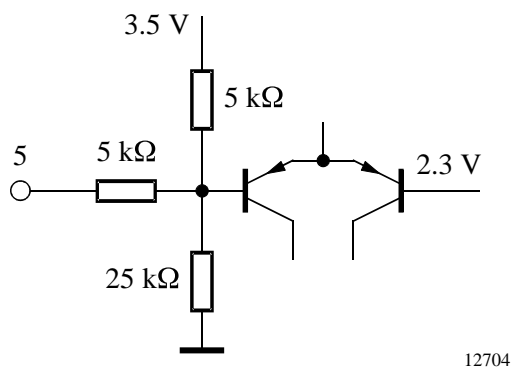
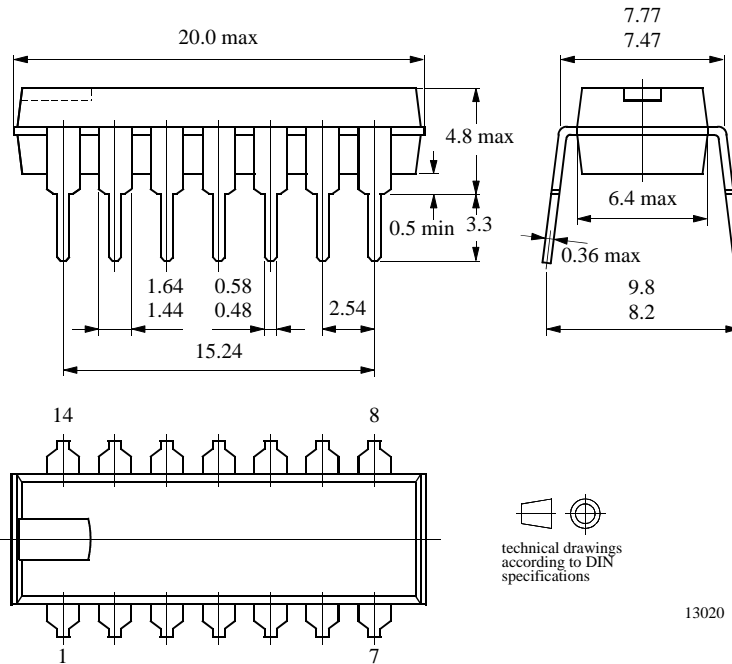


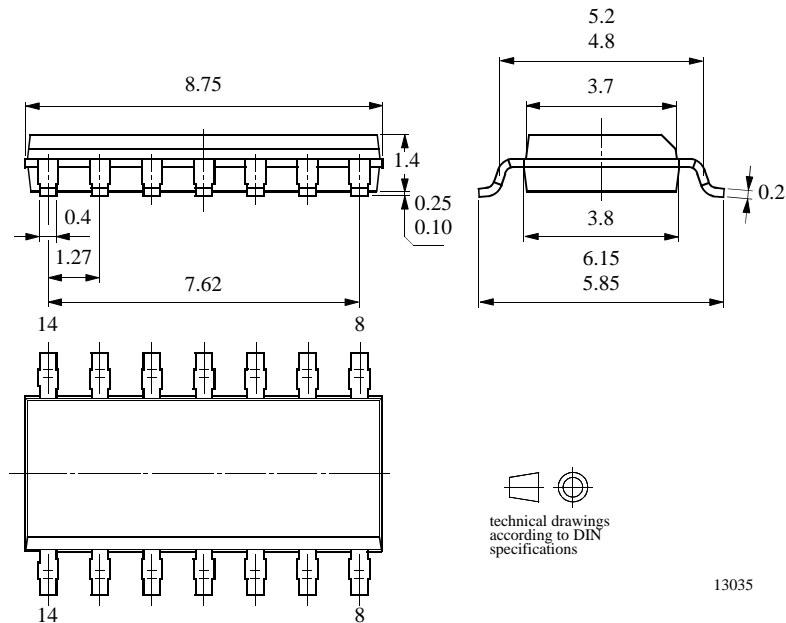
Figure 16. Mute switch (Pin 5)

Package Information

Package DIP14
Dimensions in mm



Package SO14
Dimensions in mm



Ozone Depleting Substances Policy Statement

It is the policy of **TEMIC TELEFUNKEN microelectronic GmbH** to

1. Meet all present and future national and international statutory requirements.
2. Regularly and continuously improve the performance of our products, processes, distribution and operating systems with respect to their impact on the health and safety of our employees and the public, as well as their impact on the environment.

It is particular concern to control or eliminate releases of those substances into the atmosphere which are known as ozone depleting substances (ODSs).

The Montreal Protocol (1987) and its London Amendments (1990) intend to severely restrict the use of ODSs and forbid their use within the next ten years. Various national and international initiatives are pressing for an earlier ban on these substances.

TEMIC TELEFUNKEN microelectronic GmbH semiconductor division has been able to use its policy of continuous improvements to eliminate the use of ODSs listed in the following documents.

1. Annex A, B and list of transitional substances of the Montreal Protocol and the London Amendments respectively
2. Class I and II ozone depleting substances in the Clean Air Act Amendments of 1990 by the Environmental Protection Agency (EPA) in the USA
3. Council Decision 88/540/EEC and 91/690/EEC Annex A, B and C (transitional substances) respectively.

TEMIC can certify that our semiconductors are not manufactured with ozone depleting substances and do not contain such substances.

We reserve the right to make changes to improve technical design and may do so without further notice.

Parameters can vary in different applications. All operating parameters must be validated for each customer application by the customer. Should the buyer use TEMIC products for any unintended or unauthorized application, the buyer shall indemnify TEMIC against all claims, costs, damages, and expenses, arising out of, directly or indirectly, any claim of personal damage, injury or death associated with such unintended or unauthorized use.

TEMIC TELEFUNKEN microelectronic GmbH, P.O.B. 3535, D-74025 Heilbronn, Germany
Telephone: 49 (0)7131 67 2831, Fax number: 49 (0)7131 67 2423