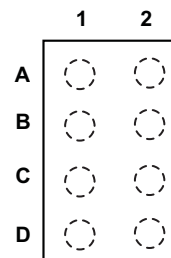


A Inter Chip-USB Voltage Level Translator

Check for Samples: [TXS0202](#)

FEATURES

- **No Direction Control Signal Required**
- **V_{CCA}, V_{CCB} Supply Voltage: 1.65 V to 3.6 V**
- **Meets All Requirements of the IC-USB Standard**
- **Small Packages: WCSP**
- **Latch-Up Performance Exceeds 100 mA Per JESD 78, Class II**
- **I_{off} Supports Partial-Power-Down Mode Operation**
- **ESD Performance**
 - **A port (Host-Side)**
 - **2000-V Human-Body Model**
 - **100-V Machine Model**
 - **500-V Charged-Device Model**
 - **B port (Peripheral-Side)**
 - **>4kV HBM**


Table 1. YZP TERMINAL ASSIGNMENTS (Top Through View)

	1	2
A	D+(B)	D–(B)
B	GND	V _{CCB}
C	V _{CCA}	OE
D	D+(A)	D–(A)

DESCRIPTION

The TXS0202 is a 2-bit voltage level translator optimized for use in Interchip USB (IC-USB) applications. V_{CCA} and V_{CCB} can each operate over the full range of 1.65 V to 3.6 V. The device has been designed to maintain cross-over skew to be less than 1 ns. The device has integrated pull-ups and pull-down resistors to aid in the protocol communication between a host and a peripheral. The translator is a buffered auto-direction sensing type translator. When the output-enable (OE) input is low, all outputs are placed in the high-impedance state.

This device is fully specified for partial-power-down applications using I_{off}. The I_{off} circuitry disables the outputs, preventing damaging current backflow through the device when it is powered down. To ensure the high-impedance state during power up or power down, OE should be tied to GND through a pull-down resistor; the minimum value of the resistor is determined by the current-sourcing capability of the driver.

ORDERING INFORMATION⁽¹⁾

T _A	PACKAGE ⁽²⁾		ORDERABLE PART NUMBER	TOP-SIDE MARKING
–40°C to 85°C	WCSP – YZP	Tape and reel	TXS0202YZPR	___7PS_ ⁽³⁾

(1) For the most current package and ordering information, see the Package Option Addendum at the end of this document, or see the TI website at www.ti.com.

(2) Package drawings, thermal data, and symbolization are available at www.ti.com/packaging.

(3) YZP: The actual top-side marking has three preceding characters to denote year, month, and sequence code, and one following character to designate the wafer fab/assembly site.

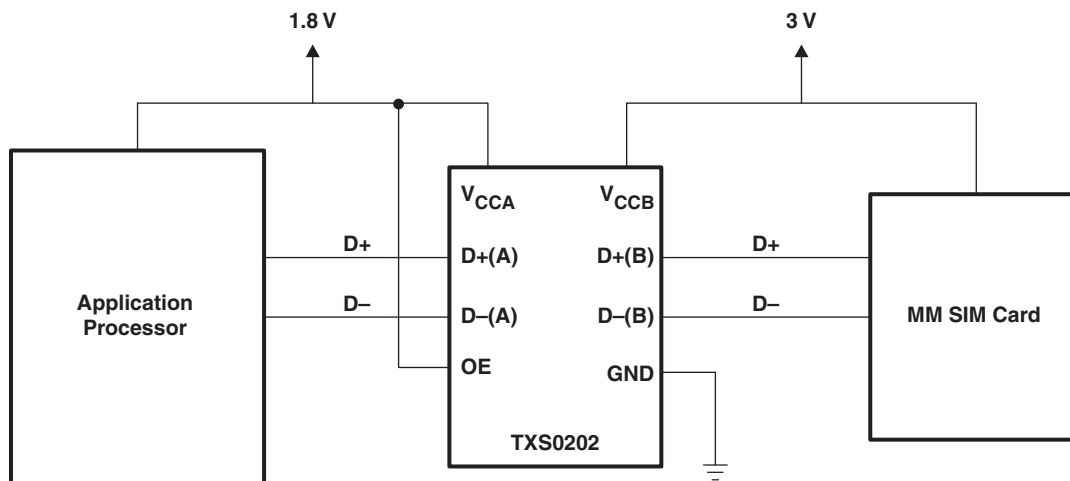


Please be aware that an important notice concerning availability, standard warranty, and use in critical applications of Texas Instruments semiconductor products and disclaimers thereto appears at the end of this data sheet.



These devices have limited built-in ESD protection. The leads should be shorted together or the device placed in conductive foam during storage or handling to prevent electrostatic damage to the MOS gates.

TYPICAL APPLICATION BLOCK DIAGRAM



PIN FUNCTIONS

PIN		DESCRIPTION
WSCP (YFP) BALL NO.	NAME	
A1	D+(B)	USB data signal connected to peripheral
A2	D-(B)	USB data signal connected to peripheral
B1	GND	Ground
B2	V _{CCB}	B-side supply voltage (1.65 V to 3.6 V)
C1	V _{CCA}	A-side supply voltage (1.65 V to 3.6 V)
C2	OE	Output enable input control
D1	D+(A)	USB data signal connected to host
D2	D-(A)	USB data signal connected to host

FUNCTIONAL TABLE

CONTROL INPUT	OUTPUT CIRCUIT	OPERATION
OE	B PORT	
L	Hi-Z	Isolation
H	Enabled	Bi-directional communications between host and peripheral

ABSOLUTE MAXIMUM RATINGS⁽¹⁾

over operating free-air temperature range (unless otherwise noted)

		MIN	MAX	UNIT
V_{CCA} V_{CCB}	Supply voltage rang	-0.5	4.6	V
V_I	Input voltage range	A port, B port, control inputs		V
V_O	Voltage range applied to any output in the high-impedance or power-off state	A port, B port		V
I_{IK}	Input clamp current	$V_I < 0$	-50	mA
I_{OK}	Output clamp current	$V_O < 0$	-50	mA
I_{CC} I_{GND}	Continuous current through V_{CCA} , V_{CCB} , or GND		±100	mA
T_{stg}	Storage temperature range	-65	150	°C

- (1) Stresses beyond those listed under "absolute maximum ratings" may cause permanent damage to the device. These are stress ratings only, and functional operation of the device at these or any other conditions beyond those indicated under "recommended operating conditions" is not implied. Exposure to absolute-maximum-rated conditions for extended periods may affect device reliability.

THERMAL INFORMATION

THERMAL METRIC ⁽¹⁾		TXS0202	UNITS
		YZP	
		8 PINS	
θ_{JA}	Junction-to-ambient thermal resistance	102	°C/W

- (1) For more information about traditional and new thermal metrics, see the *IC Package Thermal Metrics* application report, [SPRA953](#).

RECOMMENDED OPERATING CONDITIONS

		MIN	MAX	UNIT
V_{CCA} , V_{CCB}	Supply voltage	1.65	3.6	V
V_{IH}	High-level input voltage	A port I/Os	$V_{CCA} - 0.2$	V_{CCA}
		B port I/Os	$V_{CCB} - 0.2$	V_{CCB}
		OE	$V_{CCA} \times 0.65$	3.6
V_{IL}	Low-level input voltage	A port I/Os	0	0.15
		B port I/Os	0	0.15
		OE	0	$V_{CCA} \times 0.35$
$\Delta t/\Delta v$	Input transition rise or fall rate		10	ns/V
T_A	Operating free-air temperature	-40	85	°C

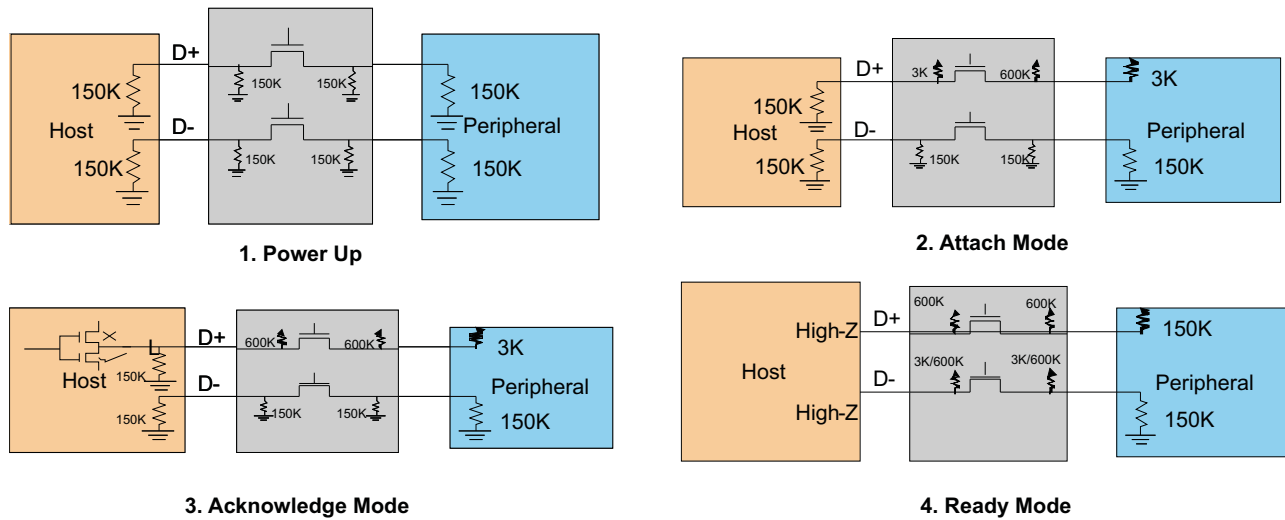


Figure 1. Block Diagram Showing Different Modes in the TXS0202

ELECTRICAL CHARACTERISTICS

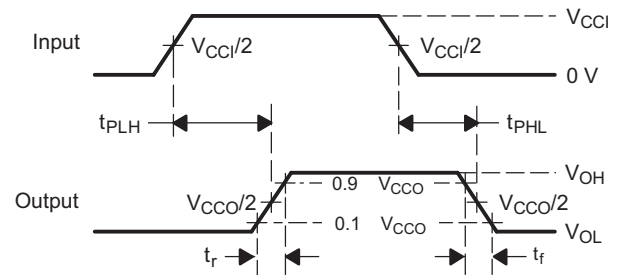
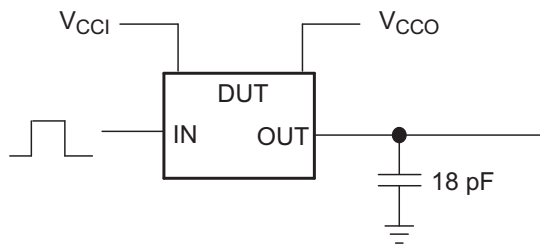
PARAMETER	TEST CONDITIONS	V _{CCA}	V _{CCBx}	T _A = 25°C	T _A = -40°C to 85°C		UNIT
				TYP	MIN	MAX	
V _{OH(D-)} (D- A or B port)	I _{OH} = -20 μA, V _{Ix} ≥ V _{CCx} - 0.2 V	1.65 V	1.65 V		V _{CCO} × 0.67		V
		2.3 V	2.3 V		V _{CCO} × 0.67		
		3.3 V	3.3 V		V _{CCO} × 0.67		
V _{OL(D-)} (D- A or B port)	I _{OL} = 220 μA, V _{Ix} ≤ 0.15 V	1.65 V	1.65 V		0.45		V
		2.3 V	2.3 V		0.55		
		3.3 V	3.3 V		0.7		
V _{OH(D+)} (D+ A or B port)	I _{OH} = -20 μA, V _{Ix} ≥ V _{CCx} - 0.2 V	1.65 V	1.65 V		V _{CCO} × 0.67		V
		2.3 V	2.3 V		V _{CCO} × 0.67		
		3.3 V	3.3 V		V _{CCO} × 0.67		
V _{OL(D+)} (D- A or B port)	I _{OL} = 220 μA, V _{Ix} ≤ 0.15 V	1.65 V	1.65 V		0.45		V
		2.3 V	2.3 V		0.55		
		3.3 V	3.3 V		0.7		
I _I	OE	1.65 V to 3.6 V	1.65 V to 3.6 V	±2	±2		μA
	D-/D+ A or B port, OE = OPEN			±2	±2		
	I _{BOFF} , D+, D- B port	1.65 V to 3.6 V	0 V		±2		
	I _{AOFF} , D+, D- A port	0 V	1.65 V to 3.6 V		±2		
I _{CCA}	V _I = V _O = Open, OE = High	1.65 V to 3.6 V	1.65 V to 3.6 V	2.2	12		μA
		3.6 V	0 V	2.3	12		
		0 V	3.6 V	0.026	-1		
I _{CCB}	V _I = V _O = Open, OE = High	1.65 V to 3.6 V	1.65 V to 3.6 V	2.7	24		μA
		3.6 V	0 V	0.031	-12		
		0 V	3.6 V	2.7	24		
C _i	OE	3.6 V	3.6 V	2.5	3.5		pF
C _{io}	A port	3.6 V	3.6 V	7	7.5		pF
	B port			9.5	10		

SWITCHING CHARACTERISTICS

over recommended operating free-air temperature range, $V_{CCA} = 1.8 \text{ V} \pm 0.15 \text{ V}$ (unless otherwise noted)

PARAMETER	FROM (INPUT)	TO (OUTPUT)	$V_{CCB} = 1.8 \text{ V} \pm 0.15 \text{ V}$	$V_{CCB} = 3.3 \text{ V} \pm 0.3 \text{ V}$	UNIT
			TYP	TYP	
t_{pd}	A	B	5	5	ns
	B	A	5	5	
t_{rA}	A port rise times		2	2	ns
t_{fA}	A port fall times		2	2	ns
t_{rB}	B port rise times		2	2	ns
t_{fB}	B port fall times		2	2	ns
$t_{sk(o)}$	Channel-to-channel		0.5	0.5	ns
Max data rate			15	15	Mbps

PARAMETER MEASUREMENT INFORMATION



VOLTAGE WAVEFORMS
PROPAGATION DELAY TIMES

DATA RATE, SKEW, PROPAGATION DELAY,
OUTPUT RISE AND FALL TIME MEASUREMENT

- A. C_L includes probe and jig capacitance.
- B. The outputs are measured one at a time, with one transition per measurement.
- C. t_{PLH} and t_{PHL} are the same as t_{pd} .

PACKAGING INFORMATION

Orderable Device	Status ⁽¹⁾	Package Type	Package Drawing	Pins	Package Qty	Eco Plan ⁽²⁾	Lead/ Ball Finish	MSL Peak Temp ⁽³⁾	Samples (Requires Login)
TXS0202YZPR	ACTIVE	DSBGA	YZP	8	3000	Green (RoHS & no Sb/Br)	SNAGCU	Level-1-260C-UNLIM	

⁽¹⁾ The marketing status values are defined as follows:

ACTIVE: Product device recommended for new designs.

LIFEBUY: TI has announced that the device will be discontinued, and a lifetime-buy period is in effect.

NRND: Not recommended for new designs. Device is in production to support existing customers, but TI does not recommend using this part in a new design.

PREVIEW: Device has been announced but is not in production. Samples may or may not be available.

OBSOLETE: TI has discontinued the production of the device.

⁽²⁾ Eco Plan - The planned eco-friendly classification: Pb-Free (RoHS), Pb-Free (RoHS Exempt), or Green (RoHS & no Sb/Br) - please check <http://www.ti.com/productcontent> for the latest availability information and additional product content details.

TBD: The Pb-Free/Green conversion plan has not been defined.

Pb-Free (RoHS): TI's terms "Lead-Free" or "Pb-Free" mean semiconductor products that are compatible with the current RoHS requirements for all 6 substances, including the requirement that lead not exceed 0.1% by weight in homogeneous materials. Where designed to be soldered at high temperatures, TI Pb-Free products are suitable for use in specified lead-free processes.

Pb-Free (RoHS Exempt): This component has a RoHS exemption for either 1) lead-based flip-chip solder bumps used between the die and package, or 2) lead-based die adhesive used between the die and leadframe. The component is otherwise considered Pb-Free (RoHS compatible) as defined above.

Green (RoHS & no Sb/Br): TI defines "Green" to mean Pb-Free (RoHS compatible), and free of Bromine (Br) and Antimony (Sb) based flame retardants (Br or Sb do not exceed 0.1% by weight in homogeneous material)

⁽³⁾ MSL, Peak Temp. -- The Moisture Sensitivity Level rating according to the JEDEC industry standard classifications, and peak solder temperature.

Important Information and Disclaimer: The information provided on this page represents TI's knowledge and belief as of the date that it is provided. TI bases its knowledge and belief on information provided by third parties, and makes no representation or warranty as to the accuracy of such information. Efforts are underway to better integrate information from third parties. TI has taken and continues to take reasonable steps to provide representative and accurate information but may not have conducted destructive testing or chemical analysis on incoming materials and chemicals. TI and TI suppliers consider certain information to be proprietary, and thus CAS numbers and other limited information may not be available for release.

In no event shall TI's liability arising out of such information exceed the total purchase price of the TI part(s) at issue in this document sold by TI to Customer on an annual basis.

TAPE AND REEL INFORMATION

QUADRANT ASSIGNMENTS FOR PIN 1 ORIENTATION IN TAPE


*All dimensions are nominal

Device	Package Type	Package Drawing	Pins	SPQ	Reel Diameter (mm)	Reel Width W1 (mm)	A0 (mm)	B0 (mm)	K0 (mm)	P1 (mm)	W (mm)	Pin1 Quadrant
TXS0202YZPR	DSBGA	YZP	8	3000	180.0	8.4	1.02	2.02	0.63	4.0	8.0	Q1

TAPE AND REEL BOX DIMENSIONS

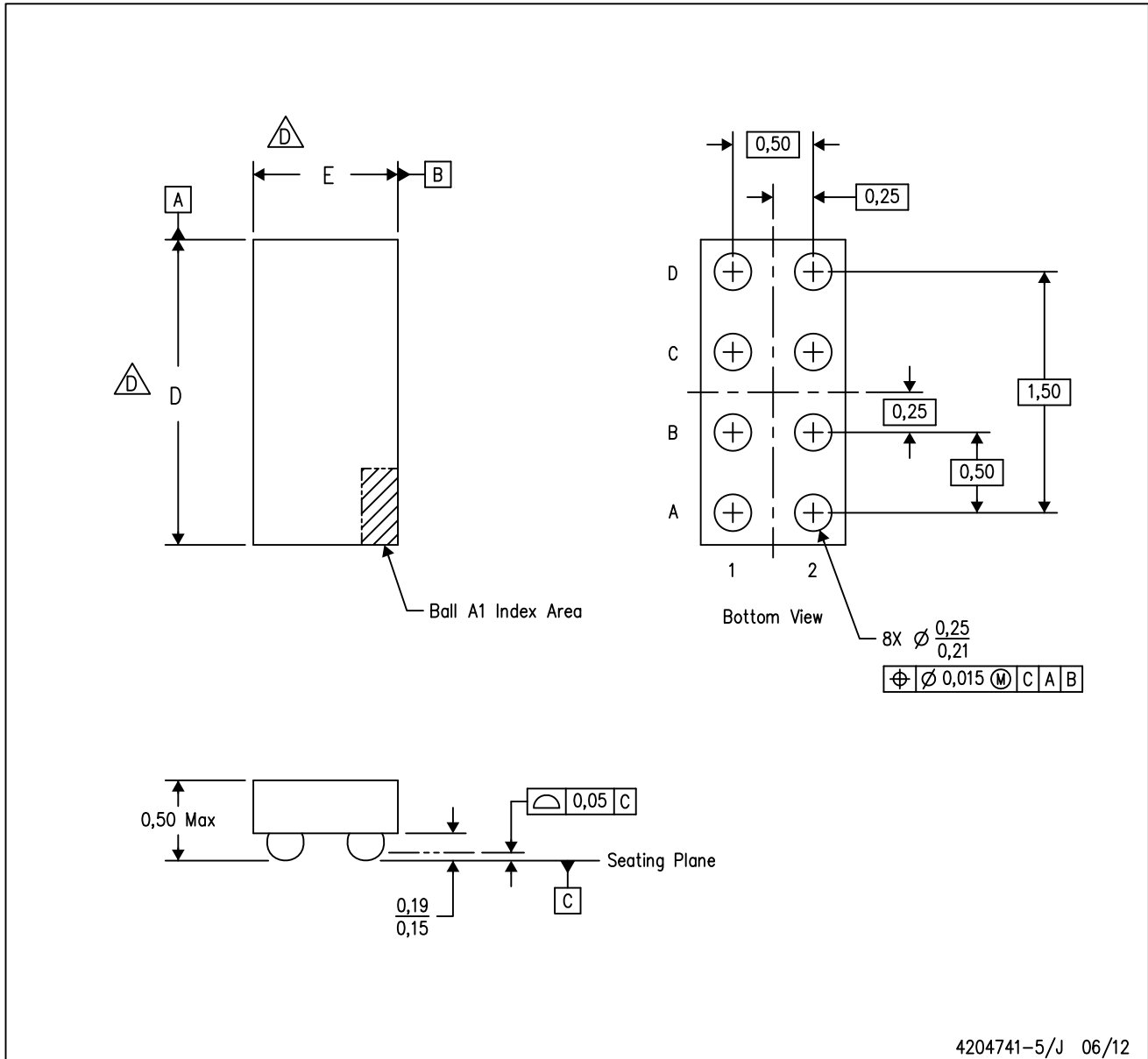


*All dimensions are nominal

Device	Package Type	Package Drawing	Pins	SPQ	Length (mm)	Width (mm)	Height (mm)
TXS0202YZPR	DSBGA	YZP	8	3000	210.0	185.0	35.0

YZP (R-XBGA-N8)

DIE-SIZE BALL GRID ARRAY



- NOTES:
- A. All linear dimensions are in millimeters. Dimensioning and tolerancing per ASME Y14.5M-1994.
 - B. This drawing is subject to change without notice.
 - C. NanoFree™ package configuration.
 - \triangle The package size (Dimension D and E) of a particular device is specified in the device Product Data Sheet version of this drawing, in case it cannot be found in the product data sheet please contact a local TI representative.
 - E. This package is a Pb-free solder ball design. Refer to the 8 YEP package (drawing 4204725) for tin-lead (SnPb).

IMPORTANT NOTICE

Texas Instruments Incorporated and its subsidiaries (TI) reserve the right to make corrections, modifications, enhancements, improvements, and other changes to its products and services at any time and to discontinue any product or service without notice. Customers should obtain the latest relevant information before placing orders and should verify that such information is current and complete. All products are sold subject to TI's terms and conditions of sale supplied at the time of order acknowledgment.

TI warrants performance of its hardware products to the specifications applicable at the time of sale in accordance with TI's standard warranty. Testing and other quality control techniques are used to the extent TI deems necessary to support this warranty. Except where mandated by government requirements, testing of all parameters of each product is not necessarily performed.

TI assumes no liability for applications assistance or customer product design. Customers are responsible for their products and applications using TI components. To minimize the risks associated with customer products and applications, customers should provide adequate design and operating safeguards.

TI does not warrant or represent that any license, either express or implied, is granted under any TI patent right, copyright, mask work right, or other TI intellectual property right relating to any combination, machine, or process in which TI products or services are used. Information published by TI regarding third-party products or services does not constitute a license from TI to use such products or services or a warranty or endorsement thereof. Use of such information may require a license from a third party under the patents or other intellectual property of the third party, or a license from TI under the patents or other intellectual property of TI.

Reproduction of TI information in TI data books or data sheets is permissible only if reproduction is without alteration and is accompanied by all associated warranties, conditions, limitations, and notices. Reproduction of this information with alteration is an unfair and deceptive business practice. TI is not responsible or liable for such altered documentation. Information of third parties may be subject to additional restrictions.

Resale of TI products or services with statements different from or beyond the parameters stated by TI for that product or service voids all express and any implied warranties for the associated TI product or service and is an unfair and deceptive business practice. TI is not responsible or liable for any such statements.

TI products are not authorized for use in safety-critical applications (such as life support) where a failure of the TI product would reasonably be expected to cause severe personal injury or death, unless officers of the parties have executed an agreement specifically governing such use. Buyers represent that they have all necessary expertise in the safety and regulatory ramifications of their applications, and acknowledge and agree that they are solely responsible for all legal, regulatory and safety-related requirements concerning their products and any use of TI products in such safety-critical applications, notwithstanding any applications-related information or support that may be provided by TI. Further, Buyers must fully indemnify TI and its representatives against any damages arising out of the use of TI products in such safety-critical applications.

TI products are neither designed nor intended for use in military/aerospace applications or environments unless the TI products are specifically designated by TI as military-grade or "enhanced plastic." Only products designated by TI as military-grade meet military specifications. Buyers acknowledge and agree that any such use of TI products which TI has not designated as military-grade is solely at the Buyer's risk, and that they are solely responsible for compliance with all legal and regulatory requirements in connection with such use.

TI products are neither designed nor intended for use in automotive applications or environments unless the specific TI products are designated by TI as compliant with ISO/TS 16949 requirements. Buyers acknowledge and agree that, if they use any non-designated products in automotive applications, TI will not be responsible for any failure to meet such requirements.

Following are URLs where you can obtain information on other Texas Instruments products and application solutions:

Products

Audio	www.ti.com/audio
Amplifiers	amplifier.ti.com
Data Converters	dataconverter.ti.com
DLP® Products	www.dlp.com
DSP	dsp.ti.com
Clocks and Timers	www.ti.com/clocks
Interface	interface.ti.com
Logic	logic.ti.com
Power Mgmt	power.ti.com
Microcontrollers	microcontroller.ti.com
RFID	www.ti-rfid.com
OMAP Mobile Processors	www.ti.com/omap
Wireless Connectivity	www.ti.com/wirelessconnectivity

Applications

Automotive and Transportation	www.ti.com/automotive
Communications and Telecom	www.ti.com/communications
Computers and Peripherals	www.ti.com/computers
Consumer Electronics	www.ti.com/consumer-apps
Energy and Lighting	www.ti.com/energy
Industrial	www.ti.com/industrial
Medical	www.ti.com/medical
Security	www.ti.com/security
Space, Avionics and Defense	www.ti.com/space-avionics-defense
Video and Imaging	www.ti.com/video

TI E2E Community Home Page

e2e.ti.com

Mailing Address: Texas Instruments, Post Office Box 655303, Dallas, Texas 75265
Copyright © 2012, Texas Instruments Incorporated