

2-Bit Bidirectional Voltage-Level Translator with Automatic Direction Sensing

Check for Samples: [TXB0302](#)

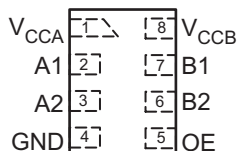
FEATURES

- **Fully Symmetric Supply Voltages.**
0.9 V to 3.6 V on A Port and 0.9 V to 3.6 V
- **V_{CC} Isolation Feature — If Either V_{CC} Input Is at GND, All Outputs Are in the High-Impedance State**
- **OE Input Circuit Referenced to V_{CCA}**
- **Low Power Consumption, 5- μ A Max I_{CC}**
- **I_{off} Supports Partial-Power-Down Mode Operation**
- **Latch-Up Performance Exceeds 100 mA Per JESD 78, Class II**
- **ESD Protection Exceeds JESD 22**
 - **4000-V Human-Body Model (A114-B)**
 - **1000-V Charged-Device Model (C101)**

DESCRIPTION

This 2-bit noninverting translator uses two separate configurable power-supply rails. The A port is designed to track V_{CCA}. V_{CCA} accepts any supply voltage from 0.9 V to 3.6 V. The B port is designed to track V_{CCB}. V_{CCB} accepts any supply voltage from 0.9 V to 3.6 V. This allows for low-voltage bidirectional translation between 1-V, 1.2-V, 1.5-V, 1.8-V, 2.5-V and 3.3-V voltage nodes. For the TXB0302, when the output-enable (OE) input is low, all outputs are placed in the high-impedance state. To ensure the high-impedance state during power up or power down, OE should be tied to GND through a pulldown resistor; the minimum value of the resistor is determined by the current-sourcing capability of the driver. The TXB0302 is designed so that the OE input circuit is supplied by V_{CCA}. This device is fully specified for partial-power-down applications using I_{off}. The I_{off} circuitry disables the outputs, preventing damaging current backflow through the device when it is powered down.

**DQM PACKAGE
(TOP VIEW)**



- A. Pull up resistors are not required on both sides for Logic I/O.
- B. If pull up or pull down resistors are needed, the resistor value must be over 20 k Ω .
- C. 20 k Ω is a safe recommended value, if the customer can accept higher Vol or lower Voh, smaller pull up or pull down resistor is allowed, the draft estimation is Vol = Vccout \times 1.5k/(1.5k + Rpu) and Voh = Vccout \times Rdw/(1.5k + Rdw).
- D. If pull up resistors are needed, please refer to the TXS0102 or contact TI.
- E. For detailed information, please refer to application note [SCEA043](#).

ORDERING INFORMATION⁽¹⁾

T _A	PACKAGE ⁽²⁾	ORDERABLE PART NUMBER	TOP-SIDE MARKING
-40°C to 85°C	DQM – MicroQFN	TXB0302DQMR	77A

- (1) For the most current package and ordering information, see the Package Option Addendum at the end of this document, or see the TI web site at www.ti.com.
- (2) Package drawings, thermal data, and symbolization are available at www.ti.com/packaging.



Please be aware that an important notice concerning availability, standard warranty, and use in critical applications of Texas Instruments semiconductor products and disclaimers thereto appears at the end of this data sheet.



These devices have limited built-in ESD protection. The leads should be shorted together or the device placed in conductive foam during storage or handling to prevent electrostatic damage to the MOS gates.

PIN DESCRIPTION

PIN NO.	NAME	FUNCTION
DQM	TXB0302	
1	VCCA	A-port supply voltage $0.9\text{ V} \leq V_{CCA} \leq 3.6\text{ V}$
2	A1	Input/output 1. Referenced to V_{CCA} .
3	A2	Input/output 2. Referenced to V_{CCA} .
4	GND	Ground
5	OE	3-state output-mode enable. Pull OE (TXB0302) low to place all outputs in 3-state mode.
6	B2	Input/output 2. Referenced to V_{CCB} .
7	B1	Input/output 1. Referenced to V_{CCB} .
8	VCCB	B-port supply voltage $0.9\text{ V} \leq V_{CCB} \leq 3.6\text{ V}$.

ABSOLUTE MAXIMUM RATINGS⁽¹⁾

over operating free-air temperature range (unless otherwise noted)

			MIN	MAX	UNIT
V_{CCA}	Supply voltage range		-0.5	4.6	V
V_{CCB}			-0.5	4.6	
V_I	Input voltage range	A port	-0.5	4.6	V
		B port	-0.5	6.5	
V_O	Voltage range applied to any output in the high-impedance or power-off state	A port	-0.5	4.6	V
		B port	-0.5	6.5	
V_O	Voltage range applied to any output in the high or low state ⁽²⁾	A port	-0.5	$V_{CCA} + 0.5$	V
		B port	-0.5	$V_{CCB} + 0.5$	
I_{IK}	Input clamp current	$V_I < 0$		-50	mA
I_{OK}	Output clamp current	$V_O < 0$		-50	mA
I_O	Continuous output current			± 50	mA
	Continuous current through V_{CCA} , V_{CCB} , or GND			± 100	mA
T_{stg}	Storage temperature range		-65	150	°C

- (1) Stresses beyond those listed under "absolute maximum ratings" may cause permanent damage to the device. These are stress ratings only, and functional operation of the device at these or any other conditions beyond those indicated under "recommended operating conditions" is not implied. Exposure to absolute-maximum-rated conditions for extended periods may affect device reliability.

THERMAL IMPEDANCE RATINGS⁽¹⁾⁽²⁾

THERMAL METRIC		TXB0302	UNIT
		DQM	
		8 PINS	
θ_{JA}	Package thermal impedance	259	°C/W

- (1) The package thermal impedance is calculated in accordance with JESD 51-7.
 (2) The package thermal impedance is calculated in accordance with JESD 51-5.

RECOMMENDED OPERATING CONDITIONS⁽¹⁾

		VCCA	VCCB	MIN	MAX	UNIT	
V _{CCA}	Supply voltage			0.9	3.6	V	
V _{CCB}				0.9	3.6		
V _{IH}	High-level input voltage	Data inputs	0.9 V to 3.6 V	0.9 V to 3.6 V	V _{CC1} ⁽²⁾ × 0.65	V _{CC1} ⁽²⁾	V
		OE	0.9 V to 3.6 V	0.9 V to 3.6 V	V _{CCA} × 0.65	3.6	
V _{IL}	Low-level input voltage	Data inputs	0.9 V to 3.6 V	0.9 V to 3.6 V	0	V _{CC1} ⁽²⁾ × 0.35	V
		OE	0.9 V to 3.6 V	0.9 V to 3.6 V	0	V _{CCA} × 0.35	
V _O	Voltage range applied to any output in the high-impedance or power-off state	A-port	0.9 V to 3.6 V	0.9 V to 3.6 V	0	3.6	V
		B-port	0.9 V to 3.6 V	0.9 V to 3.6 V	0	3.6	
Δt/Δv	Input transition rise or fall rate	A-port inputs	0.9 V to 3.6 V	0.9 V to 3.6 V		40	ns/V
		B-port inputs	0.9 V to 3.6 V	0.9 V to 3.6 V		40	
T _A	Operating free-air temperature			-40	85	°C	

(1) The A and B sides of an unused data I/O pair must be held in the same state, i.e., both at V_{CC1} or both at GND.

(2) V_{CC1} is the supply voltage associated with the input port.

ELECTRICAL CHARACTERISTICS

PARAMETER	TEST CONDITIONS	VCCA	VCCB	T _A = 25°C			-40°C to 85°C		UNIT
				MIN	TYP	MAX	MIN	MAX	
V _{OHA}	I _{OH} = -20 μA	0.9 V to 3.6 V				0.9 × VCCA			V
V _{OLA}	I _{OL} = 20 μA	0.9 V to 3.6 V					0.2		V
V _{OHB}	I _{OH} = -20 μA		0.9 V to 3.6 V			0.9 × VCCB			V
V _{OLB}	I _{OL} = 20 μA	0.9 V to 3.6 V					0.2		V
I _I	OE	V _I = V _{CC1} or GND	0.9 V to 3.6 V	0.9 V to 3.6 V			±1	±2	μA
I _{off}	A port	V _I or V _O = 0 to 3.6 V	0 V	0 V to 3.6 V			±1	±2	μA
	B port	V _I or V _O = 0 to 3.6 V	0.9 V to 3.6 V	0 V			±1	±2	
I _{OZ}	A or B port	OE = GND	0.9 V to 3.6 V	0.9 V to 3.6 V			±1	±2	μA
I _{CCA}		V _I = V _{CC1} or GND, I _O = 0	0.9 V to 3.6 V	0.9 V to 3.6 V				5	μA
I _{CCB}		V _I = V _{CC1} or GND, I _O = 0	0.9 V to 3.6 V	0.9 V to 3.6 V				5	μA
I _{CCA} + I _{CCB}		V _I = V _{CC1} or GND, I _O = 0	0.9 V to 3.6 V	0.9 V to 3.6 V				10	μA
I _{CCZA}		V _I = V _{CC1} or GND, I _O = 0, OE = GND	0.9 V to 3.6 V	0.9 V to 3.6 V				5	μA
I _{CCZB}		V _I = V _{CC1} or GND, I _O = 0, OE = GND	0.9 V to 3.6 V	0.9 V to 3.6 V				5	μA
C _i	OE		0.9 V to 3.6 V	0.9 V to 3.6 V		3			pF
C _{io}	A port		0.9 V to 3.6 V	0.9 V to 3.6 V		9			pF
	B port					12			

TIMING REQUIREMENTS

		VCCA	VCCB	MIN	MAX	UNIT
Data rate	C _L = 15 pF	0.9 to 3.6 V	0.9 to 3.6 V		40	Mbps
	C _L = 15 pF	1.2 to 3.6 V	1.2 to 3.6 V		100	Mbps
	C _L = 15 pF	1.8 to 3.6 V	1.8 to 3.6 V		140	Mbps
	C _L = 30 pF	0.9 to 3.6 V	0.9 to 3.6 V		40	Mbps
	C _L = 30 pF	1.2 to 3.6 V	1.2 to 3.6 V		90	Mbps
	C _L = 30 pF	1.8 to 3.6 V	1.8 to 3.6 V		120	Mbps
	C _L = 50 pF	1.2 to 3.6 V	1.2 to 3.6 V		70	Mbps
	C _L = 50 pF	1.8 to 3.6 V	1.8 to 3.6 V		100	Mbps

SWITCHING CHARACTERISTICS

over operating free-air temperature range (unless otherwise noted)

PARAMETER	FROM (INPUT)	TO (OUTPUT)		VCCA	VCCB	MIN	TYP T _A = 25°C	MAX	UNIT
t _{pd}	A	B	C _L = 15	0.9-3.6	0.9-3.6		18.9	62.5	ns
	A	B	C _L = 15	1.2-3.6	1.2-3.6		7.5	15.5	
	A	B	C _L = 15	1.8-3.6	1.8-3.6		3.7	5.8	
	A	B	C _L = 30	0.9-3.6	0.9-3.6		19.5	64.5	
	A	B	C _L = 30	1.2-3.6	1.2-3.6		7.8	16.1	
	A	B	C _L = 30	1.8-3.6	1.8-3.6		3.8	6.1	
	A	B	C _L = 50	1.2-3.6	1.2-3.6		8	16.8	
	A	B	C _L = 50	1.8-3.6	1.8-3.6		4	6.5	ns
	B	A	C _L = 15	0.9-3.6	0.9-3.6		18.9	62.6	
	B	A	C _L = 15	1.2-3.6	1.2-3.6		7.5	15.4	
	B	A	C _L = 15	1.8-3.6	1.8-3.6		3.7	5.8	
	B	A	C _L = 30	0.9-3.6	0.9-3.6		19.5	64.5	
	B	A	C _L = 30	1.2-3.6	1.2-3.6		7.8	16.1	
	B	A	C _L = 30	1.8-3.6	1.8-3.6		3.8	5.2	
t _{en}	OE	A	C _L = 15	0.9-3.6	0.9-3.6			504	ns
		B	C _L = 15	0.9-3.6	0.9-3.6			356	
t _{dis}	OE	A	C _L = 15	0.9-3.6	0.9-3.6			200	ns
		B	C _L = 15	0.9-3.6	0.9-3.6			200	ns
t _{rB} , t _{fB}	B-port rise and fall times		C _L = 15	0.9-3.6	0.9-3.6		2.95		ns
t _{rA} , t _{fA}	A-port rise and fall times		C _L = 15	0.9-3.6	0.9-3.6		3.1		ns
t _{SK(O)}	Channel-to-channel skew		C _L = 15	0.9-3.6	0.9-3.6			0.5	ns

OPERATING CHARACTERISTICS

 T_A = 25°C

PARAMETER		TEST CONDITIONS	VCCA, VCCB 0.9 V to 3.6 V	UNIT
			TYP	
C _{pdA}	A-port input, B-port output	C _L = 0, f = 10 MHz, t _r = t _f = 1 ns, OE = V _{CCA} (outputs enabled)	40	pF
	B-port input, A-port output		40	
C _{pdB}	A-port input, B-port output		40	pF
	B-port input, A-port output		40	
C _{pdA}	A-port input, B-port output	C _L = 0, f = 10 MHz, t _r = t _f = 1 ns, OE = GND (outputs disabled)	0.01	pF
	B-port input, A-port output		0.01	
C _{pdB}	A-port input, B-port output		0.01	pF
	B-port input, A-port output		0.01	

PRINCIPLES OF OPERATION

Applications

The TXB0302 can be used in level-translation applications for interfacing devices or systems operating at different interface voltages with one another.

Architecture

The TXB0302 architecture (see Figure 1) does not require a direction-control signal to control the direction of data flow from A to B or from B to A. In a dc state, the output drivers of the TXB0302 can maintain a high or low, but are designed to be weak, so that they can be over driven by an external driver when data on the bus starts flowing the opposite direction. The output one shots detect rising or falling edges on the A or B ports. During a rising edge, the one shot turns on the PMOS transistors (T1, T3) for a short duration, which speeds up the low-to-high transition. Similarly, during a falling edge, the one shot turns on the NMOS transistors (T2, T4) for a short duration, which speeds up the high-to-low transition. The typical output impedance during output transition is 35 Ω at $V_{CCO} = 0.9\text{ V}$ to 1.1 V, 25 Ω at $V_{CCO} = 1.2\text{ V}$ to 3.3 V.

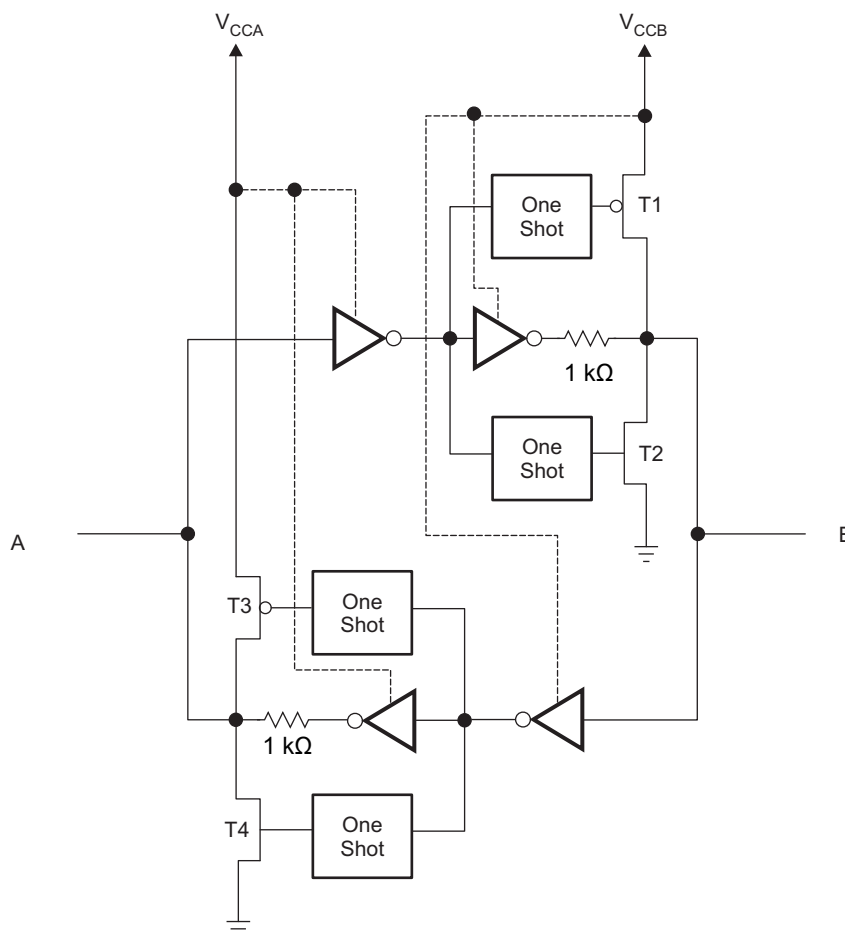
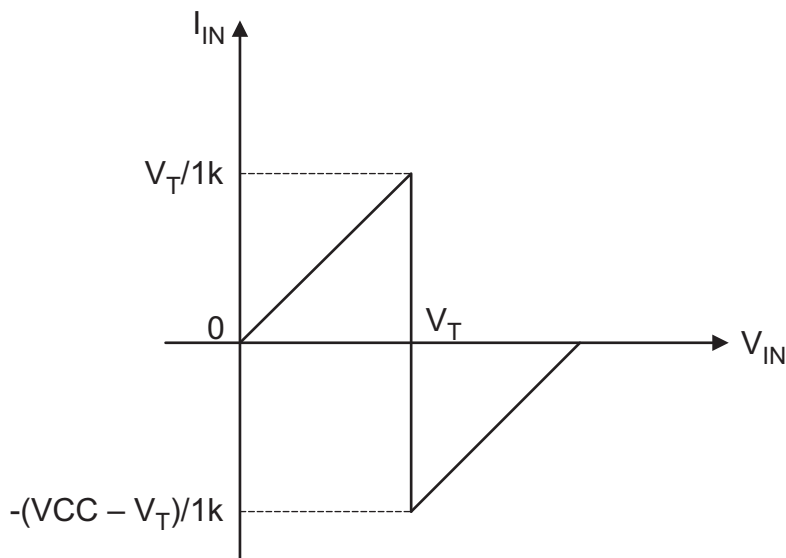


Figure 1. Architecture of TXB0302 I/O Cell

Input Driver Requirements

Typical I_{IN} vs V_{IN} characteristics of the TXB0302 are shown in Figure 2. For proper operation, the device driving the data I/Os of the TXB0302 must have drive strength of at least $\pm 3\text{ mA}$.



- (1) V_T is the input threshold voltage of the TXB0302 (typical $V_{CC1}/2$).
- (2) V_D is the supply voltage of the external driver.

Figure 2. Typical I_{IN} vs V_{IN} Curve

Power Up

There is no requirement for the power sequence. During operation, TXB0302 can work at both $V_{CCA} \leq V_{CCB}$ and $V_{CCA} \geq V_{CCB}$. During power-up sequencing, any power supply can be ramped up first. The TXB0302 has circuitry that disables all output ports when either V_{CC} is switched off ($V_{CCA/B} = 0$ V).

Enable and Disable

The TXB0302 has an OE input that is used to disable the device by setting OE = low, which places all I/Os in the high-impedance (Hi-Z) state. The disable time (t_{dis}) indicates the delay between when OE goes low and when the outputs actually get disabled (Hi-Z). The enable time (t_{en}) indicates the amount of time the user must allow for the one-shot circuitry to become operational after OE is taken high.

Pullup or Pulldown Resistor on I/O Lines

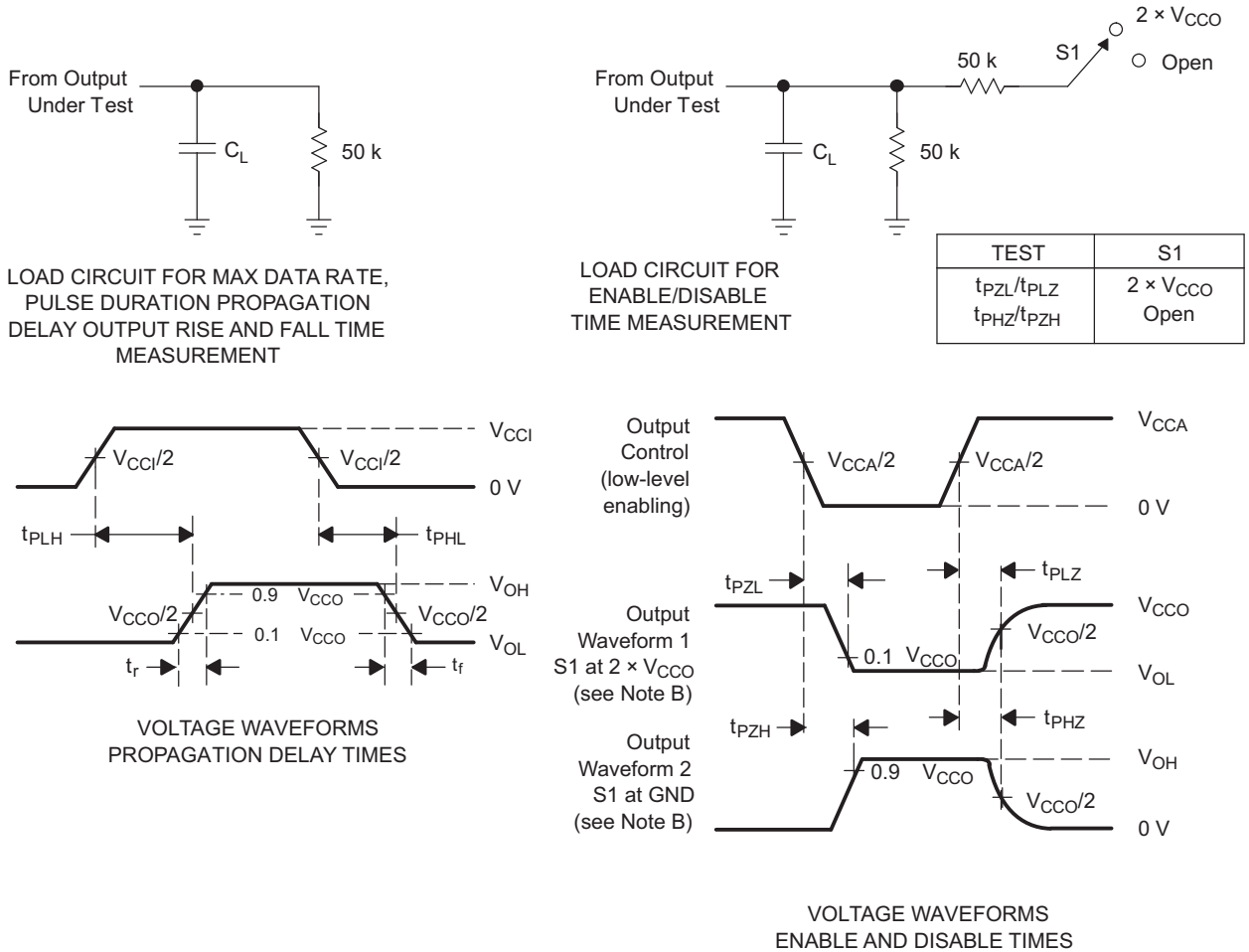
The TXB0302 is designed to drive capacitive loads of up to 50 pF. The output drivers of the TXB0302 have low dc drive strength. If pullup or pulldown resistors are connected externally to the data I/Os, their values must be kept higher than 20 k Ω to ensure that they do not contend with the output drivers of the TXB0302. but if the receiver is integrated with the smaller pull down or pull up resistor, below formula can be used for estimation to evaluate the V_{oh} and V_{ol} .

$$V_{ol} = V_{CCout} \times \frac{1.5k\Omega}{1.5k\Omega + R_{pu}} \quad (1)$$

$$V_{oh} = V_{CCout} \times \frac{R_{pd}}{1.5k\Omega + R_{pd}} \quad (2)$$

For the same reason, the TXB0302 should not be used in applications such as I²C or 1-Wire where an open-drain driver is connected on the bidirectional data I/O. For these applications, use a device from the TI TXS01xx series of level translators.

PARAMETER MEASUREMENT INFORMATION



- A. C_L includes probe and jig capacitance.
- B. All input pulses are supplied by generators having the following characteristics: PRR 10 MHz, $Z_O = 50 \Omega$, $dv/dt \geq 1$ V/ns.
- C. The outputs are measured one at a time, with one transition per measurement.
- D. t_{PLH} and t_{PHL} are the same as t_{pd} .
- E. V_{CCI} is the V_{CC} associated with the input port.
- F. V_{CCO} is the V_{CC} associated with the output port.
- G. All parameters and waveforms are not applicable to all devices.

Figure 3. Load Circuits and Voltage Waveforms

REVISION HISTORY

Changes from Original (March 2012) to Revision A **Page**

- Added package pin out diagram notes. [1](#)
-

Changes from Revision A (May 2012) to Revision B **Page**

- Added Application Information Section [5](#)
-

PACKAGING INFORMATION

Orderable Device	Status (1)	Package Type	Package Drawing	Pins	Package Qty	Eco Plan (2)	Lead/Ball Finish	MSL Peak Temp (3)	Op Temp (°C)	Top-Side Markings (4)	Samples
TXB0302DQMR	ACTIVE	X2SON	DQM	8	3000	Green (RoHS & no Sb/Br)	CU NIPDAU	Level-1-260C-UNLIM	-40 to 85	77A	Samples

(1) The marketing status values are defined as follows:

ACTIVE: Product device recommended for new designs.

LIFEBUY: TI has announced that the device will be discontinued, and a lifetime-buy period is in effect.

NRND: Not recommended for new designs. Device is in production to support existing customers, but TI does not recommend using this part in a new design.

PREVIEW: Device has been announced but is not in production. Samples may or may not be available.

OBSOLETE: TI has discontinued the production of the device.

(2) Eco Plan - The planned eco-friendly classification: Pb-Free (RoHS), Pb-Free (RoHS Exempt), or Green (RoHS & no Sb/Br) - please check <http://www.ti.com/productcontent> for the latest availability information and additional product content details.

TBD: The Pb-Free/Green conversion plan has not been defined.

Pb-Free (RoHS): TI's terms "Lead-Free" or "Pb-Free" mean semiconductor products that are compatible with the current RoHS requirements for all 6 substances, including the requirement that lead not exceed 0.1% by weight in homogeneous materials. Where designed to be soldered at high temperatures, TI Pb-Free products are suitable for use in specified lead-free processes.

Pb-Free (RoHS Exempt): This component has a RoHS exemption for either 1) lead-based flip-chip solder bumps used between the die and package, or 2) lead-based die adhesive used between the die and leadframe. The component is otherwise considered Pb-Free (RoHS compatible) as defined above.

Green (RoHS & no Sb/Br): TI defines "Green" to mean Pb-Free (RoHS compatible), and free of Bromine (Br) and Antimony (Sb) based flame retardants (Br or Sb do not exceed 0.1% by weight in homogeneous material)

(3) MSL, Peak Temp. -- The Moisture Sensitivity Level rating according to the JEDEC industry standard classifications, and peak solder temperature.

(4) Only one of markings shown within the brackets will appear on the physical device.

Important Information and Disclaimer: The information provided on this page represents TI's knowledge and belief as of the date that it is provided. TI bases its knowledge and belief on information provided by third parties, and makes no representation or warranty as to the accuracy of such information. Efforts are underway to better integrate information from third parties. TI has taken and continues to take reasonable steps to provide representative and accurate information but may not have conducted destructive testing or chemical analysis on incoming materials and chemicals. TI and TI suppliers consider certain information to be proprietary, and thus CAS numbers and other limited information may not be available for release.

In no event shall TI's liability arising out of such information exceed the total purchase price of the TI part(s) at issue in this document sold by TI to Customer on an annual basis.

TAPE AND REEL INFORMATION



QUADRANT ASSIGNMENTS FOR PIN 1 ORIENTATION IN TAPE



*All dimensions are nominal

Device	Package Type	Package Drawing	Pins	SPQ	Reel Diameter (mm)	Reel Width W1 (mm)	A0 (mm)	B0 (mm)	K0 (mm)	P1 (mm)	W (mm)	Pin1 Quadrant
TXB0302DQMR	X2SON	DQM	8	3000	180.0	9.5	1.4	2.0	0.5	4.0	8.0	Q1

TAPE AND REEL BOX DIMENSIONS

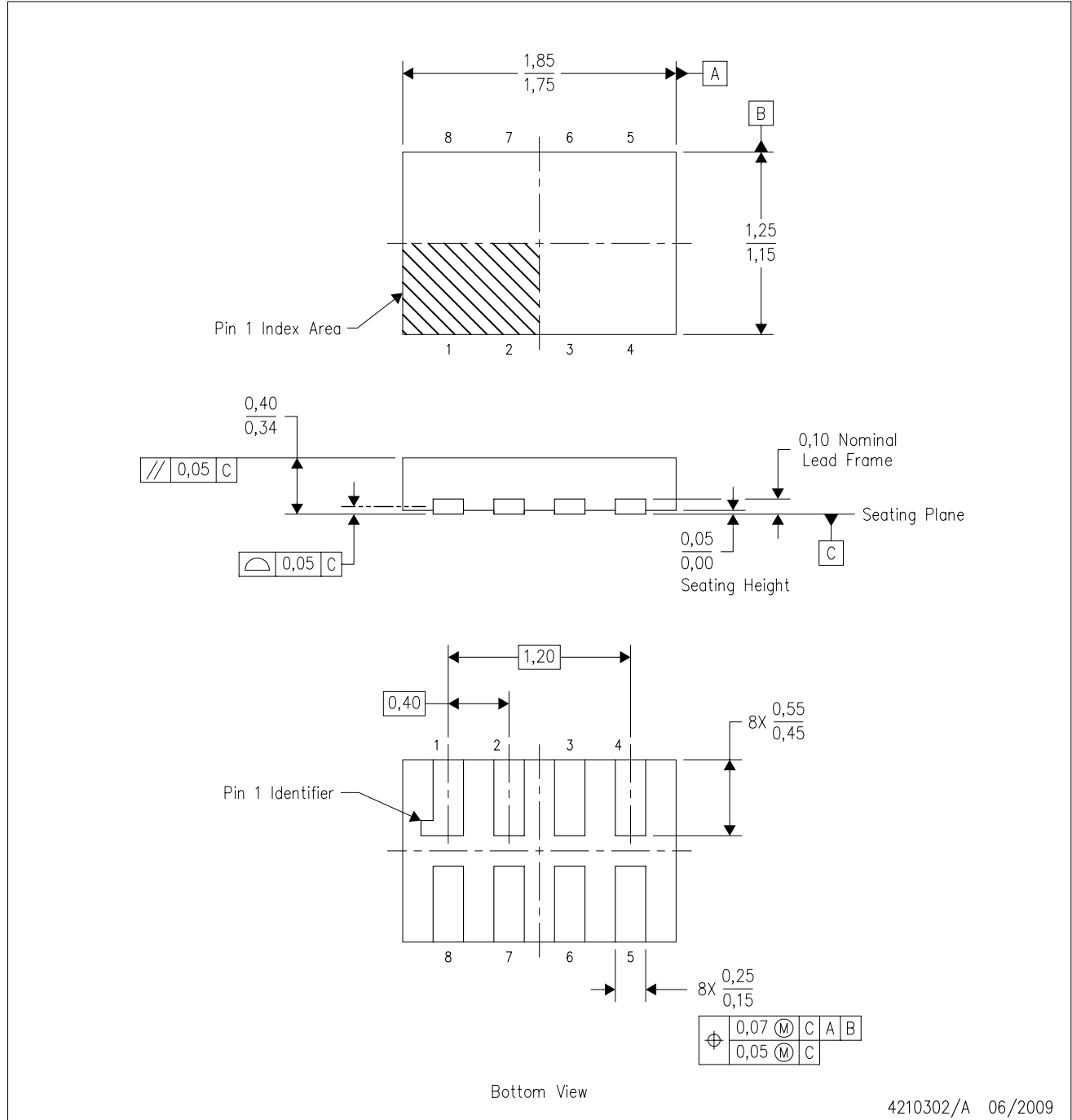


*All dimensions are nominal

Device	Package Type	Package Drawing	Pins	SPQ	Length (mm)	Width (mm)	Height (mm)
TXB0302DQMR	X2SON	DQM	8	3000	180.0	180.0	30.0

DQM (R-PX2SON-N8)

PLASTIC SMALL OUTLINE NO-LEAD



4210302/A 06/2009

- NOTES:
- A. All linear dimensions are in millimeters. Dimensioning and tolerancing per ASME Y14.5M-1994.
 - B. This drawing is subject to change without notice.
 - C. SON (Small Outline No-Lead) package configuration.

IMPORTANT NOTICE

Texas Instruments Incorporated and its subsidiaries (TI) reserve the right to make corrections, enhancements, improvements and other changes to its semiconductor products and services per JESD46, latest issue, and to discontinue any product or service per JESD48, latest issue. Buyers should obtain the latest relevant information before placing orders and should verify that such information is current and complete. All semiconductor products (also referred to herein as "components") are sold subject to TI's terms and conditions of sale supplied at the time of order acknowledgment.

TI warrants performance of its components to the specifications applicable at the time of sale, in accordance with the warranty in TI's terms and conditions of sale of semiconductor products. Testing and other quality control techniques are used to the extent TI deems necessary to support this warranty. Except where mandated by applicable law, testing of all parameters of each component is not necessarily performed.

TI assumes no liability for applications assistance or the design of Buyers' products. Buyers are responsible for their products and applications using TI components. To minimize the risks associated with Buyers' products and applications, Buyers should provide adequate design and operating safeguards.

TI does not warrant or represent that any license, either express or implied, is granted under any patent right, copyright, mask work right, or other intellectual property right relating to any combination, machine, or process in which TI components or services are used. Information published by TI regarding third-party products or services does not constitute a license to use such products or services or a warranty or endorsement thereof. Use of such information may require a license from a third party under the patents or other intellectual property of the third party, or a license from TI under the patents or other intellectual property of TI.

Reproduction of significant portions of TI information in TI data books or data sheets is permissible only if reproduction is without alteration and is accompanied by all associated warranties, conditions, limitations, and notices. TI is not responsible or liable for such altered documentation. Information of third parties may be subject to additional restrictions.

Resale of TI components or services with statements different from or beyond the parameters stated by TI for that component or service voids all express and any implied warranties for the associated TI component or service and is an unfair and deceptive business practice. TI is not responsible or liable for any such statements.

Buyer acknowledges and agrees that it is solely responsible for compliance with all legal, regulatory and safety-related requirements concerning its products, and any use of TI components in its applications, notwithstanding any applications-related information or support that may be provided by TI. Buyer represents and agrees that it has all the necessary expertise to create and implement safeguards which anticipate dangerous consequences of failures, monitor failures and their consequences, lessen the likelihood of failures that might cause harm and take appropriate remedial actions. Buyer will fully indemnify TI and its representatives against any damages arising out of the use of any TI components in safety-critical applications.

In some cases, TI components may be promoted specifically to facilitate safety-related applications. With such components, TI's goal is to help enable customers to design and create their own end-product solutions that meet applicable functional safety standards and requirements. Nonetheless, such components are subject to these terms.

No TI components are authorized for use in FDA Class III (or similar life-critical medical equipment) unless authorized officers of the parties have executed a special agreement specifically governing such use.

Only those TI components which TI has specifically designated as military grade or "enhanced plastic" are designed and intended for use in military/aerospace applications or environments. Buyer acknowledges and agrees that any military or aerospace use of TI components which have **not** been so designated is solely at the Buyer's risk, and that Buyer is solely responsible for compliance with all legal and regulatory requirements in connection with such use.

TI has specifically designated certain components as meeting ISO/TS16949 requirements, mainly for automotive use. In any case of use of non-designated products, TI will not be responsible for any failure to meet ISO/TS16949.

Products

Audio	www.ti.com/audio
Amplifiers	amplifier.ti.com
Data Converters	dataconverter.ti.com
DLP® Products	www.dlp.com
DSP	dsp.ti.com
Clocks and Timers	www.ti.com/clocks
Interface	interface.ti.com
Logic	logic.ti.com
Power Mgmt	power.ti.com
Microcontrollers	microcontroller.ti.com
RFID	www.ti-rfid.com
OMAP Applications Processors	www.ti.com/omap
Wireless Connectivity	www.ti.com/wirelessconnectivity

Applications

Automotive and Transportation	www.ti.com/automotive
Communications and Telecom	www.ti.com/communications
Computers and Peripherals	www.ti.com/computers
Consumer Electronics	www.ti.com/consumer-apps
Energy and Lighting	www.ti.com/energy
Industrial	www.ti.com/industrial
Medical	www.ti.com/medical
Security	www.ti.com/security
Space, Avionics and Defense	www.ti.com/space-avionics-defense
Video and Imaging	www.ti.com/video

TI E2E Community

e2e.ti.com