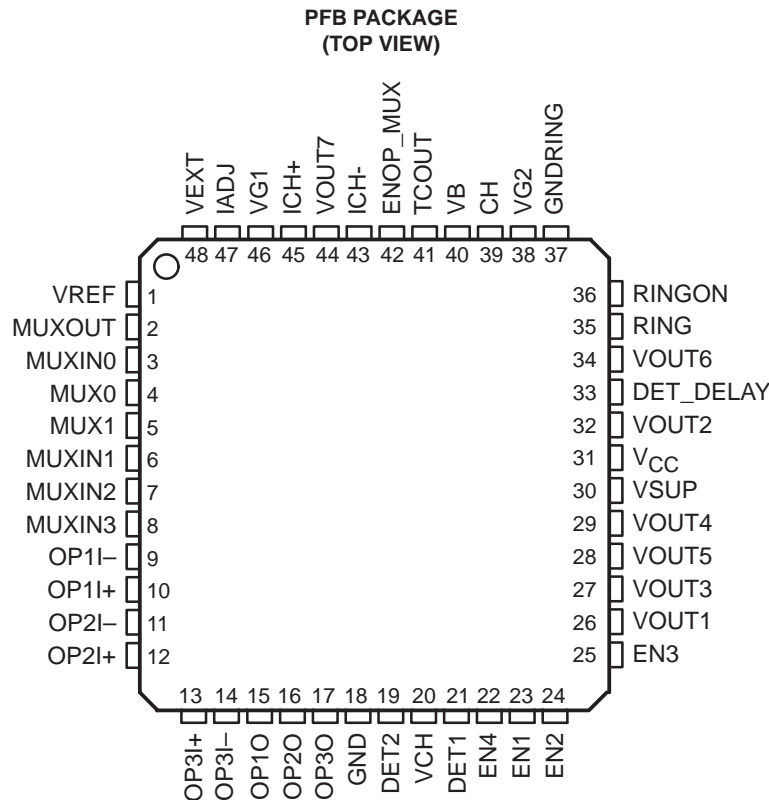


- Li-Ion Battery Charging Control
- Over-Voltage Shutdown
- Seven Low-Dropout Low-Noise Linear Voltage Regulators (LDO)
- Voltage Detectors (With Power-Off Delay)
- Four-Channel Analog Multiplexer
- Three General-Purpose Operational Amplifiers
- Ringer Driver
- Power Supply Switch for Accessories
- Low Quiescent Current
- 48-pin TQFP



description

The TWL2203 incorporates a complete power-management system for a cellular telephone that uses lithium-ion cells. The device includes circuitry to control the gate voltage of two P-channel MOSFETs. The MOSFETs perform constant-voltage/constant-current charging (CVCC). The TWL2203 has seven low-drop linear voltage regulators (LDO) to regulate the battery power supply to the different sections of the phone, a battery voltage monitor, a ringer driver, an analog multiplexer, and three general-purpose operational amplifiers for signal conditioning.

The TWL2203 is packaged in TI's 48-pin thin-quad flat package (PFB).



Please be aware that an important notice concerning availability, standard warranty, and use in critical applications of Texas Instruments semiconductor products and disclaimers thereto appears at the end of this data sheet.

MicroStar is a trademark of Texas Instruments Incorporated.

PRODUCTION DATA information is current as of publication date. Products conform to specifications per the terms of Texas Instruments standard warranty. Production processing does not necessarily include testing of all parameters.



POST OFFICE BOX 655303 • DALLAS, TEXAS 75265

Copyright © 2000, Texas Instruments Incorporated

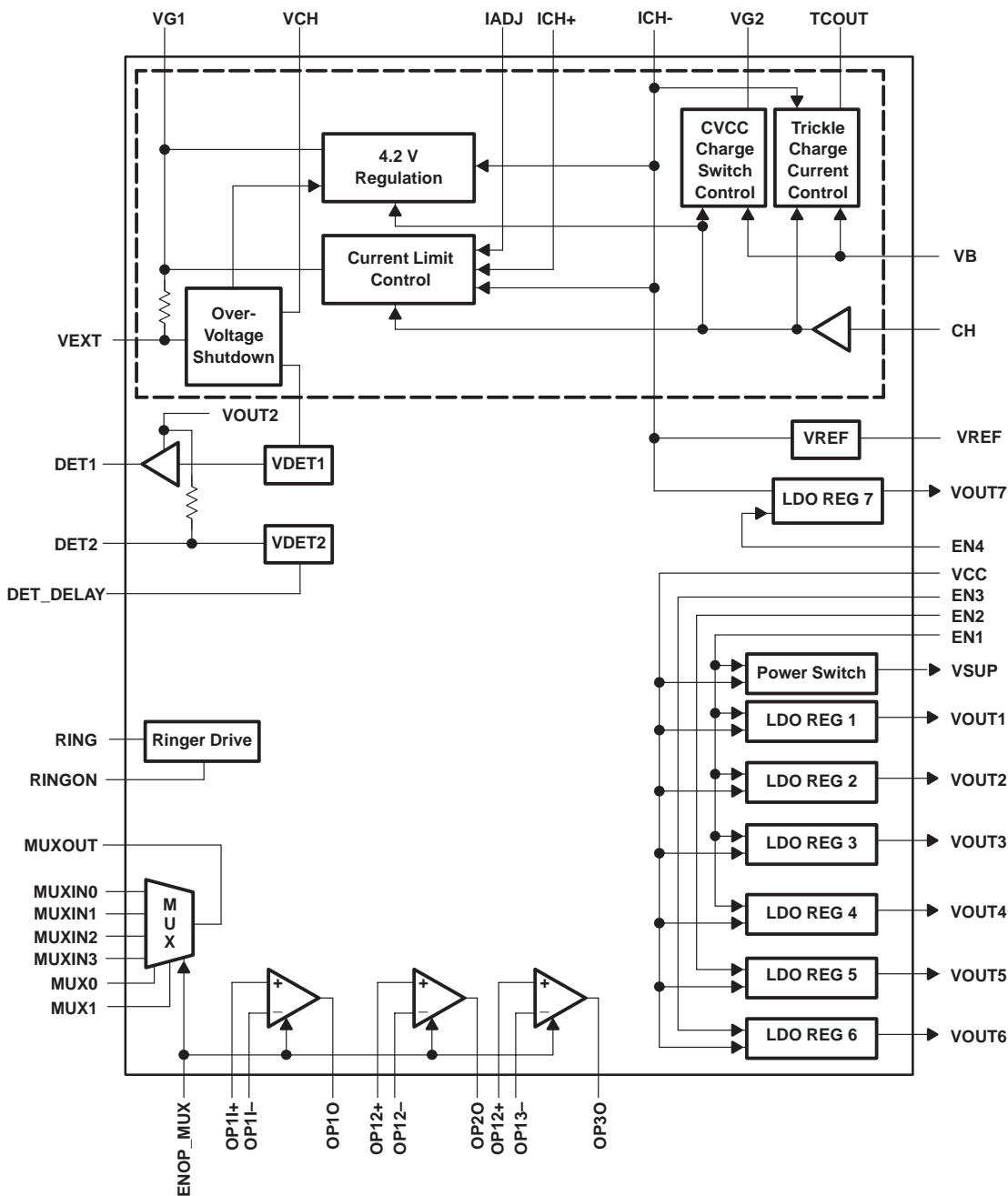
TWL2203 POWER SUPPLY MANAGEMENT IC

SLVS185 – FEBRUARY 2000

AVAILABLE OPTIONS

T _A	PACKAGE
	PLASTIC THIN-QUAD FLAT PACKAGE (PFB)
-30°C to 85°C	TWL2203PFB

functional block diagram



Terminal Functions

TERMINAL		I/O	DESCRIPTION
NAME	NO. QFB		
CH	39	I	CMOS signal input set to logic high to enable battery-charging function
DET_DELAY	33	I/O	Delay programming pin for VDET2
DET1	21	O	Voltage detector CMOS output
DET2	19	O	Voltage detector output with 40-k Ω pull-up resistor
EN1	23	I	Set to logic high to enable LDO regulators 1–4 and power supply switch
EN2	24	I	Set to logic high to enable LDO regulator 5
EN3	25	I	Set to logic high to enable LDO regulator 6
EN4	22	I	Set to logic high to enable LDO regulator 7
ENOP_MUX	42	I	Set to logic high to enable the op amps and the analog multiplexer
GND	18		Ground for most sections of the device
GNDRING	37		Ringer ground
IADJ	47	I/O	Terminal for gain control of battery-charging current monitor
ICH–	43	I	Current-sense input/trickle charge, input/power supply to LDO regulator 7, and reference.
ICH+	45	I	Current-sense input
MUX0	4	I	Analog multiplexer channel selector bit-input (logic high is true)
MUX1	5	I	Analog multiplexer channel selector bit-input (logic high is true)
MUXIN0	3	I	Analog multiplexer input 0
MUXIN1	6	I	Analog multiplexer input 1
MUXIN2	7	I	Analog multiplexer input 2
MUXIN3	8	I	Analog multiplexer input 3
MUXOUT	2	O	Analog multiplexer output
OP1I–	9	I	Op amp 1 negative input
OP1I+	10	I	Op amp 1 positive input
OP1O	15	O	Op amp 1 output
OP2I–	11	I	Op amp 2 negative input
OP2I+	12	I	Op amp 2 positive input
OP2O	16	O	Op amp 2 output
OP3I–	14	I	Op amp 3 negative input
OP3I+	13	I	Op amp 3 positive input
OP3O	17	O	Op amp 3 output
RING	35	I	Ringer drive input
RINGON	36	I	Ringer enable (logic high to enable)
TCOUT	41	O	Trickle-charge output
V _B	40	I	Battery voltage input for charging control
V _{CC}	31		Power supply to most of the device
VCH	20	I	External power supply input for voltage detection
VEXT	48	I	External voltage input
VG1	46	O	MOSFET M1 gate drive
VG2	38	O	MOSFET M2 gate drive
VOU1	26	O	LDO REG 1 output 1
VOU2	32	O	LDO REG 2 output 2

Terminal Functions (Continued)

TERMINAL		I/O	DESCRIPTION
NAME	NO. QFB		
VOUT3	27	O	LDO REG 3 output 3
VOUT4	29	O	LDO REG 4 output 4
VOUT5	28	O	LDO REG 5 output 5
VOUT6	34	O	LDO REG 6 output 6
VOUT7	44	O	LDO REG 7 output 7
VREF	1	O	Voltage-reference bypass output
VSUP	30	O	Power-supply switch output

detailed description

battery-charging control

The battery charging control block in the device is a part of the lithium-ion battery (Li-Ion) charging system of the phone. It is capable of regulating the external power source to charge the lithium-ion battery according to the battery-charging requirements. More information on battery-charging control is presented in the *application information* section.

The MOSFET driver and its feedback-control circuit are enabled/disabled by a CMOS control signal provided by the phone's microprocessor. The maximum-charging current is set by external resistors for design flexibility.

overvoltage shutdown

The device shuts down the charging circuit in the presence of an overvoltage condition.

low-dropout linear voltage regulators

The device has seven separate low-dropout linear-voltage regulators. A single enable signal controls four of the regulators. The last three regulators are controlled by their own enable signals.

voltage detectors (with power-off delay)

The device has two voltage detectors. The voltage detectors monitor the voltage level of the external power and V_{CC} . The external power detector (VDET1) has a CMOS output. The V_{CC} detector (VDET2) activates on the falling edge and has user-adjustable power-off delay. There is an internal pullup resistor on the output.

analog multiplexer

The device has a four-channel analog multiplexer with two-bit channel-selector signal input and a shutdown function. In the shutdown mode, all the input and output terminals are in the high-impedance state.

operational amplifiers

The device has three rail-to-rail operational amplifiers with common shutdown control.

power supply switch for external phone accessories

The device provides current-limited voltage supply to the external phone accessories via the external-interface connector. The power supply switch is controlled by the same enable signal (EN1) that controls the four regulators—LDO1-LDO4. The external phone accessories are resistive in nature.

ringer driver

The device is capable of driving a ringer. It is controlled by a CMOS signal, and uses an N-channel low-side driver.



DISSIPATION-RATING TABLE – FREE-AIR TEMPERATURE

PACKAGE	T _A <25°C POWER RATING	OPERATING FACTOR ABOVE T _A = 25°C	T _A = 70°C POWER RATING	T _A = 85°C POWER RATING
PFB	1962 mW	15.7 mW/°C	1256 mW	1020 mW

absolute maximum ratings over operating free-air temperature (unless otherwise noted)†

Supply-voltage range, V _{CC}	–0.3 V to 6.5 V
External-voltage range	–0.3 V to 15 V
Output-voltage range	–0.3 V to 6.5 V
Input-voltage range, all other pins	–0.3 V to 6.5 V
Continuous total-power dissipation	See Dissipation-Rating Table
Free-air temperature range	–30°C to 85°C
Storage-temperature range	–65°C to 150°C

† Stresses beyond those listed under “absolute maximum ratings” may cause permanent damage to the device. These are stress ratings only, and functional operation of the device at these or any other conditions beyond those indicated under “recommended operating conditions” is not implied. Exposure to absolute-maximum-rated conditions for extended periods may affect device reliability.

recommended operating conditions

PARAMETER	TEST CONDITIONS	MIN	TYP	MAX	UNIT
Supply voltage, V _{CC}	In regulation	2.85	3.75	4.25	V
	In transient condition	2.85		6	
VEXT	Allowable range	0	5.5	12	V
	Normal charging operation	4.6	5.5	6	
VCH		2.1		6	V
High-level logic input, V _{IH}		2.1			V
Low-level logic input, V _{IL}				0.9	V

electrical characteristics over recommended operating junction temperature range, V_{CC} = 3.75 V and VEXT = 5.5 V (unless otherwise specified)

current table, T_A = –40°C to 85°C

PARAMETER	TEST CONDITIONS	MIN	TYP	MAX	UNIT
Shutdown current	EN1 = EN2 = EN3 = EN4 = ENOP_MUX = VCH = CH = RINGON = VEXT = GND		50	90	μA
Quiescent current LDOreg. 1–4, power-switch quiescent current	EN1 = VOUT2, EN2 = EN3 = EN4 = ENOP_MUX = VCH = CH = RINGON = VEXT = GND		210	350	
Quiescent current LDOreg. 1–5, power-switch quiescent current	EN1 = EN2 = VOUT2, EN3 = EN4 = ENOP_MUX = VCH = CH = RINGON = VEXT = GND		240	400	
Quiescent current LDOreg. 1–6, power-switch quiescent current	EN1 = EN2 = EN3 = VOUT2, EN4 = ENOP_MUX = VCH = CH = RINGON = VEXT = GND		270	450	
Quiescent current LDOreg. 1–7, power-switch quiescent current	EN1 = EN2 = EN3 = EN4 = VOUT2, ENOP_MUX = VCH = CH = RINGON = VEXT = GND		300	500	
Quiescent current LDOreg. 1–7, Power-switch, MUX, op amp quiescent current	EN1 = EN2 = EN3 = EN4 = ENOP_MUX = VOUT2, VCH = CH = RINGON = VEXT = GND		470	800	
Quiescent current LDOreg. 1–4, Power-switch, MUX, op amp quiescent current	EN1 = ENOP_MUX = VOUT2, EN2 = EN3 = EN4 = RINGON = VCH = CH = VEXT = GND		370	700	
LDOreg. 1–7, Power-switch, MUX, op amp, charger quiescent current	VCH = 4.8 V, EN1 = EN2 = EN3 = EN4 = ENOP_MUX = CH = VOUT2, RINGON = GND		2.5	4.0	mA

TWL2203 POWER SUPPLY MANAGEMENT IC

SLVS185 – FEBRUARY 2000

battery charging control, $T_A = 0^\circ\text{C}$ to 50°C

PARAMETER		TEST CONDITIONS	MIN	TYP	MAX	UNIT
Constant voltage V_B		Charge current = 50 mA, EN1 = CH = VOUT2, EN2 = EN3 = EN4 = ENOP_MUX = GND, VEXT = 5 – 6 V	4.15	4.20	4.25	V
Voltage drop across sense resistor $I_{CH+} - I_{CH-}$		CH = V_{CC}	85	100	115	mV
Precharge current (VR6 threshold)		TCOUT – V_B , $V_B < V_{tc}$	75	125	175	mV
V_{tc}	Precharge threshold		3.30	3.40	3.50	V
I_{pc}	Precharge capability	$V_B = 3.5$ V, TCIN = 4.15 V, R6 = 2 Ω , Current limit control is disabled	50			mA

over-voltage shutdown, $T_A = 0^\circ\text{C}$ to 50°C

PARAMETER		TEST CONDITIONS	MIN	TYP	MAX	UNIT
V_{chco}	Over-voltage cutoff point for VCH		4.7	5.4	6	V
V_{gco}	Over-voltage cutoff point for VEXT		6.5	7.5	8.5	V



electrical characteristics over recommended operating junction temperature range, $V_{CC} = 3.75\text{ V}$ and $V_{EXT} = 5.5\text{ V}$ (unless otherwise specified) (continued)

LDO regulator 1 (LCD Module), $T_A = -20^\circ\text{C}$ to 85°C

PARAMETER	TEST CONDITIONS	MIN	TYP	MAX	UNIT
Output voltage VOUT1	IOUT1 = 0.5 mA to 3 mA, $V_{CC} = 3.3\text{ V}$ to 4.2 V , EN1 = 3 V	2.95	3	3.05	V
Dropout voltage	IOUT1 = 1 mA			100	mV
Maximum current	$V_{CC} = 3.75\text{ V}$, VOUT1 = 2.85 V	5			mA
Current limit	VOUT1 shorted to GND	7.5			mA
Ripple rejection	f = 400 Hz, IOUT1 = 1 mA		50		dB

LDO regulator 2 (Digital), $T_A = -30^\circ\text{C}$ to 85°C

PARAMETER	TEST CONDITIONS	MIN	TYP	MAX	UNIT
Output voltage VOUT2	IOUT2 = 5 mA to 150 mA, $V_{CC} = 3.3\text{ V}$ to 4.2 V , EN1 = 3 V	2.825	3	3.175	V
Dropout voltage	IOUT2 = 80 mA			250	mV
Maximum current	$V_{CC} = 3.75\text{ V}$, VOUT2 = 2.85 V	200			mA
Current limit	VOUT2 shorted to GND	300			mA
Ripple rejection	f = 400 Hz, IOUT2 = 100 mA		50		dB

LDO regulator 3 (TCX0), $T_A = -30^\circ\text{C}$ to 85°C

PARAMETER	TEST CONDITIONS	MIN	TYP	MAX	UNIT
Output voltage VOUT3	IOUT3 = 1 mA to 3 mA, $V_{CC} = 3.3\text{ V}$ to 4.2 V , EN1 = 3 V	2.825	3	3.175	V
Dropout voltage	IOUT3 = 3 mA			100	mV
Maximum current	$V_{CC} = 3.75\text{ V}$, VOUT3 = 2.85 V	5			mA
Current limit	VOUT3 shorted to GND	7.5			mA
Ripple rejection	f = 400 Hz, IOUT3 = 3 mA		60		dB

LDO regulator 4 (Audio), $T_A = -30^\circ\text{C}$ to 85°C

PARAMETER	TEST CONDITIONS	MIN	TYP	MAX	UNIT
Output voltage VOUT4	IOUT4 = 5 mA to 40 mA, $V_{CC} = 3.3\text{ V}$ to 4.2 V , EN1 = 3 V	2.825	3	3.175	V
Dropout voltage	IOUT4 = 40 mA			250	mV
Maximum current	$V_{CC} = 3.75\text{ V}$, VOUT4 = 2.85 V	75			mA
Current limit	VOUT4 shorted to GND	112			mA
Ripple rejection	f = 400 Hz, IOUT4 = 30 mA		60		dB

TWL2203 POWER SUPPLY MANAGEMENT IC

SLVS185 – FEBRUARY 2000

electrical characteristics over recommended operating junction temperature range, $V_{CC} = 3.75\text{ V}$ and $V_{EXT} = 5.5\text{ V}$ (unless otherwise specified) (continued)

LDO regulator 5 (RX), $T_A = -30^\circ\text{C}$ to 85°C

PARAMETER	TEST CONDITIONS	MIN	TYP	MAX	UNIT
Output voltage V_{OUT5}	$I_{OUT5} = 10\text{ mA}$ to 30 mA , $V_{CC} = 3.3\text{ V}$ to 4.2 V , $EN1 = 3\text{ V}$	2.825	3	3.175	V
Dropout voltage	$I_{OUT5} = 20\text{ mA}$			250	mV
Maximum current	$V_{CC} = 3.75\text{ V}$, $V_{OUT5} = 2.85\text{ V}$	40			mA
Current limit	V_{OUT5} shorted to GND	60			mA
Ripple rejection	$f = 400\text{ Hz}$, $I_{OUT5} = 20\text{ mA}$		60		dB

LDO regulator 6 (TX), $T_A = -30^\circ\text{C}$ to 85°C

PARAMETER	TEST CONDITIONS	MIN	TYP	MAX	UNIT
Output voltage V_{OUT6}	$I_{OUT6} = 30\text{ mA}$ to 70 mA , $V_{CC} = 3.3\text{ V}$ to 4.2 V , $EN1 = 3\text{ V}$	2.825	3	3.175	V
Dropout voltage	$I_{OUT6} = 50\text{ mA}$			250	mV
Maximum current	$V_{CC} = 3.75\text{ V}$, $V_{OUT6} = 2.85\text{ V}$	70			mA
Current limit	V_{OUT6} shorted to GND	105			mA
Ripple rejection	$f = 400\text{ Hz}$, $I_{OUT6} = 50\text{ mA}$		60		dB

LDO regulator 7 (PLL), $T_A = -30^\circ\text{C}$ to 85°C

PARAMETER	TEST CONDITIONS	MIN	TYP	MAX	UNIT
Output voltage V_{OUT7}	$I_{OUT7} = 10\text{ mA}$ to 25 mA , $V_{CC} = 3.3\text{ V}$ to 4.2 V , $EN1 = 3\text{ V}$	2.825	3	3.175	V
Dropout voltage	$I_{OUT7} = 20\text{ mA}$			250	mV
Maximum current	$V_{CC} = 3.75\text{ V}$, $V_{OUT7} = 2.85\text{ V}$	30			mA
Current limit	V_{OUT7} shorted to GND	45			mA
Ripple rejection	$f = 400\text{ Hz}$, $I_{OUT7} = 20\text{ mA}$		60		dB
Output noise voltage (RMS)	$BW = 300\text{ Hz} - 50\text{ kHz}$			100 [†]	μV

[†] With external filtering

VDET1, $T_A = 25^\circ\text{C}$

PARAMETER	TEST CONDITIONS	MIN	TYP	MAX	UNIT
V_{CH} Threshold voltage of CH		2.85	3	3.15	V
Hysteresis voltage of CH			100		mV
VODET1 Output voltage	$V_{CH} > \text{THRESHOLDV}$		0	0.3	V
VODET2 Output voltage	$V_{CH} < \text{THRESHOLDV}$		V_{OUT2}	0.3	V
TCDET1 Temp. coefficient of VODET1			± 100		ppm/ $^\circ\text{C}$



electrical characteristics over recommended operating junction temperature range, $V_{CC} = 3.75\text{ V}$ and $V_{EXT} = 5.5\text{ V}$ (unless otherwise specified) (continued)

VDET2, $T_A = 25^\circ\text{C}$

PARAMETER	TEST CONDITIONS	MIN	TYP	MAX	UNIT
Threshold voltage of VCC		2.85	3	3.15	V
Hysteresis voltage of VCC			100		mV
VODET1 Output voltage	$V_{CH} > \text{THRESHOLDV}$		0	0.3	V
VODET2 Output voltage	$V_{CH} < \text{THRESHOLDV}$		VOUT2		V
TCDET2 Temperature coefficient of VDET2			± 100		ppm/ $^\circ\text{C}$
TDELAY2 Delay of VDET2	$C_{det_delay} = 0.1\ \mu\text{F}$	35	50	75	ms

power switch, $T_A = 25^\circ\text{C}$

PARAMETER	TEST CONDITIONS	MIN	TYP	MAX	UNIT
VSUP Output voltage	$I_{SUP} = 0\text{ mA} - 50\text{ mA}$, $V_{CC} = 3.75\text{ V}$	3.45	3.60	3.75	V
VON On voltage	$V_{CC} = 3.3\text{ V} - 5\text{ V}$, $I_{SUP} = 30\text{ mA}$			300	mV
IMAX Maximum current	$V_{CC} = 3.75\text{ V}$, $V_{SUP} = 0\text{ V}$			200	mA
IMIN Minimum current	$V_{CC} = 3.75\text{ V}$, $V_{SUP} = 3.45\text{ V}$	70			mA

analog multiplexer, $T_A = -30^\circ\text{C}$ to 85°C

PARAMETER	TEST CONDITIONS	MIN	TYP	MAX	UNIT
Sine-wave distortion	1 kHz, 1 Vpp, 1.5 VDC offset		0.1%		
FMAX Frequency response (switch on)	-3 dB gain	1			MHz
Feed-through attenuation (switch off)	$f = 250\text{ kHz}$			-40	dB
Crosstalk (control input to signal output)	$T_r = T_f = 50\text{ ns}$			100	mV
Crosstalk (between switches)	$f = 250\text{ kHz}$			-50	dB

DC CHARACTERISTICS

RON On resistance			700	1200	Ω
ΔR_{ON} Difference of ON resistance between switches			10		Ω
IOFF Input/output leakage current				± 400	nA
Iz Switch input leakage current				± 400	nA
IIN Control-input current				± 1	μA
Iq Quiescent current				10	μA

AC CHARACTERISTICS

Phase difference between input and output	1 kHz (spec is flexible, dependent on the design)			50	ns
Output enable time t _{pzl} , t _{pzh}				100	ns
Output disable time t _{pzl} , t _{pzh}				150	ns
CIN Control input capacitance	All pins			10	pF
CIOS Input terminal capacitance				15	pF
CIS Output terminal capacitance				50	pF
CIOS Feed-through capacitance				2	pF

TWL2203 POWER SUPPLY MANAGEMENT IC

SLVS185 – FEBRUARY 2000

electrical characteristics over recommended operating junction temperature range, $V_{CC} = 3.75$ V and $V_{EXT} = 5.5$ V (unless otherwise specified) (continued)

operational amplifiers, $T_A = -30^{\circ}\text{C}$ to 85°C

PARAMETER		TEST CONDITIONS	MIN	TYP	MAX	UNIT
V_{OS}	Input offset voltage	$V_{cm} = 1.5$ V		2	10	mV
I_{OPB}	Input bias current			50	250	na
I_{OPOS}	Input offset current			5	50	nA
R_{IN}	Input resistance	DC resistance		100		$M\Omega$
$CMMR$	Common-mode rejection ratio	$f = 400$ Hz, $V_{cm} = 1.5$ V	65	75		dB
V_{CM}	Input common voltage		0.1		2.9	V
$PSRR$	Power-supply rejection ratio	$f = 400$ Hz, $V_{cm} = 1.5$ V	60	70		dB
C_{IN}	Common-mode input capacitance			3		pF
V_O	Output swing, high	Output high, $I_O = 2.5$ mA (source)	2.9	2.95		V
	Output swing, low	Output low, $I_O = -2.5$ mA (sink)		0.1	0.15	V
I_O	Output current	DC Current			± 2.5	mA
THD	Total harmonic distortion	$f = 1$ kHz, 20 dB closed-loop gain, $I_O = 0.5$ mA		1%		
SR	Slew rate			0.3 [†]		V/ μ s
GBW	Gain bandwidth product			300		kHz

ringer driver, $T_A = -30^{\circ}\text{C}$ to 85°C

PARAMETER		TEST CONDITIONS	MIN	TYP	MAX	UNIT
R_{ON}	On resistance	$R_{INGON} = V_{CC}$, $I_{OUTRING} = 100$ mA, $T_A = 25^{\circ}\text{C}$			3	Ω
$TONRING$	Turnon time				10	μ s
$TOFFRING$	Turnoff time				10	μ s

internal power supply

PARAMETER		TEST CONDITIONS	MIN	TYP	MAX	UNIT
$V_{INTERNAL}$	Output voltage	$I_{LOAD} = 7.5$ mA	3.1	3.25	3.4	V

bandgap reference

PARAMETER		TEST CONDITIONS	MIN	TYP	MAX	UNIT
	Output voltage		1.1812	1.192	1.2028	V
	Output noise voltage (RMS)	$BW = 300$ Hz – 50 kHz			800	nV/Hz
$REFVALID$	Reference valid			5		μ A

thermal shutdown

PARAMETER		TEST CONDITIONS	MIN	TYP	MAX	UNIT
	Trip point		160		190	$^{\circ}\text{C}$
	Hysteresis temperature			15		$^{\circ}\text{C}$



THERMAL INFORMATION

The implementation of integrated circuits in low-profile and fine-pitch surface-mount packages requires special attention to power dissipation. Many system-dependent issues such as thermal coupling, airflow, added heat sinks and convection surfaces, and the presence of other heat-generating components affect the power-dissipation limits of a given component.

Three basic approaches for enhancing thermal performance are listed below.

- Improving the power dissipation capability of the printed-circuit board design
- Improving the thermal coupling of the component to the printed-circuit board
- Introducing airflow into the system

Using the given $R_{\theta JA}$ for this device, the maximum power dissipation can be calculated with the equation:

$$P_{D(MAX)} = \frac{T_{J(MAX)} - T_A}{R_{\theta JA}}$$

APPLICATION INFORMATION

capacitor selection

The output bypass capacitor of each LDO regulator should be selected from the list of ceramic capacitors shown below. The VCC bypass capacitors should be selected from the list of tantalum capacitors shown below. Tantalum capacitors have good temperature stability and offer good capacitance for their size. Care should be taken when using marginal quality tantalum capacitors, as the increase of the equivalent series resistance (ESR) at low temperatures can cause instability. For a given capacitance, ceramic capacitors are usually larger and more costly than tantalums. The capacitance of ceramic capacitors varies greatly with temperature. In addition, the ESR of ceramic capacitors can be low enough to cause instability. A low-value resistor can be added in series with the ceramic capacitor to provide a minimum ESR.

ceramic (X7R or X5R)

CAPACITANCE	CASE SIZE	ESR (MAX)
1 μ F	0805	3.8 m Ω
2.2 μ F	0805	4.5 m Ω
3.3 μ F	0805	4.1 m Ω
2.2 μ F	1206	3.4 m Ω
4.7 μ F	1206	1.9 m Ω

tantalum (6.3 V rating)

CAPACITANCE	CASE SIZE	ESR (MAX)
4.7 μ F	A(3216)	6 Ω
6.8 μ F	A(3216)	6 Ω
10 μ F	A(3216)	4 Ω
10 μ F	P(0805)	6 Ω

TWL2203 POWER SUPPLY MANAGEMENT IC

SLVS185 – FEBRUARY 2000

APPLICATION INFORMATION

recommended parts list

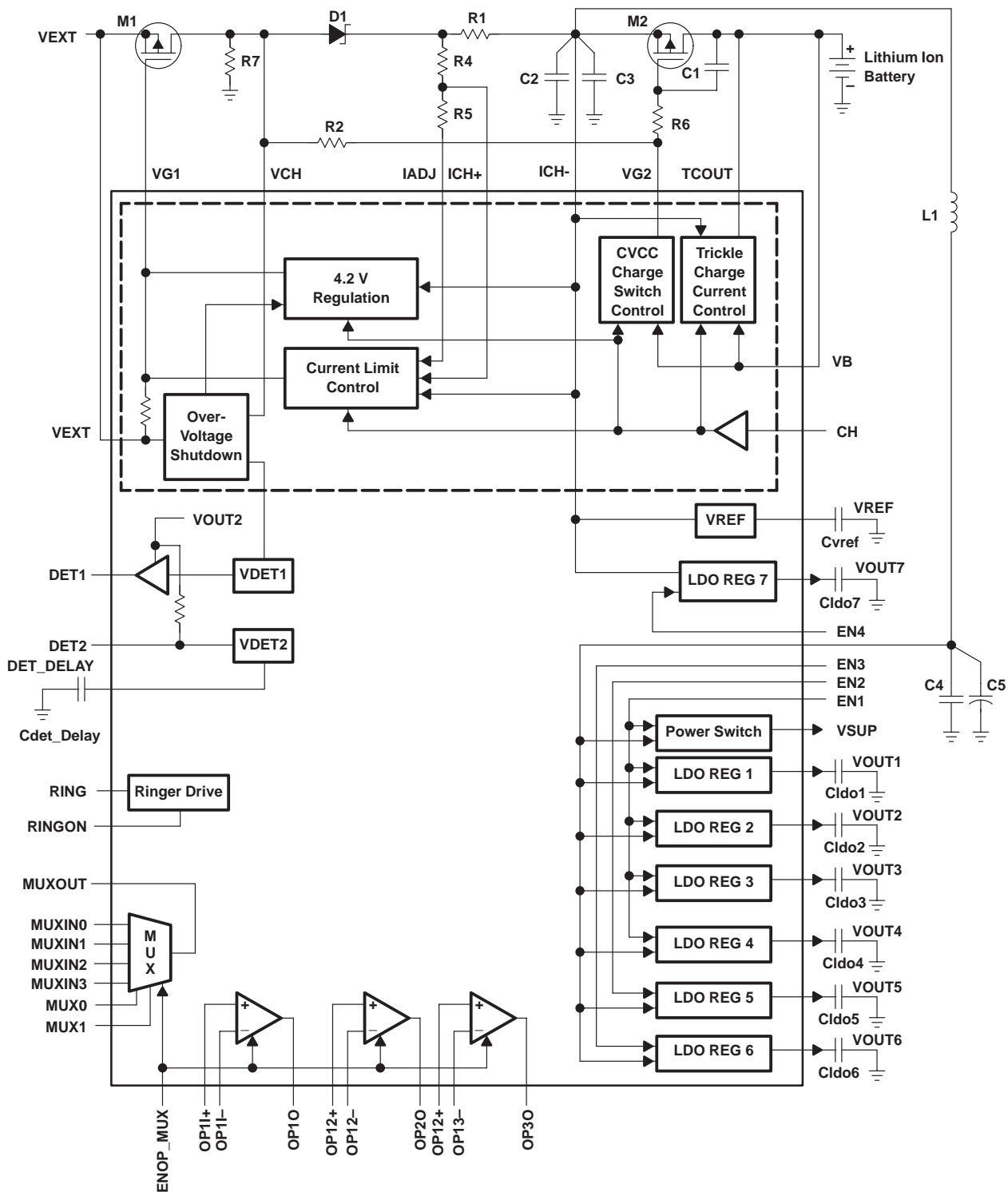
REFERENCE	DESCRIPTION	MANUFACTURER	VALUE	PART NUMBER
C1	Ceramic, 0805, X7R		100 pF	
C2	Ceramic, 0805, X7R		0.01 μ F	
C3	Tantalum, 6.3 V, Case B, 20%	Siemens Matsushita	10 μ F	B 45 196-E1106-M20
C4	Ceramic, 0805		0.01 μ F	
C5	Tantalum, 6.3 V, Case B, 20%	Siemens Matsushita	10 μ F	B 45 196-E1106-M20
Cldo1	Ceramic, 0805, X7R		0.22 μ F	
Cldo2	Ceramic, 10 V, 1206, X5R, 20%	Taiyo Yuden	4.7 μ F	LMK316BJ475ML
Cldo3	Ceramic, 0805, X7R		0.22 μ F	
Cldo4	Ceramic, 10 V, 1206, X5R, 20%	Taiyo Yuden	3.3 μ F	LMK316BJ335ML
Cldo5	Ceramic, 16 V, 0805, X5R, 20%	Taiyo Yuden	2.2 μ F	LMK212BJ225MG
Cldo6	Ceramic, 10 V, 1206, X5R, 20%	Taiyo Yuden	4.7 μ F	LMK316BJ475ML
Cldo7	Ceramic, 16 V, 0805, X5R, 20%	Taiyo Yuden	2.2 μ F	LMK212BJ225MG
Cvref	Ceramic, 0805, X7R		1000 pF	
Cdet_delay	Ceramic, 0805, X7R		0.1 μ F	
D1	Schottky diode	Rohm		RB051L-40
L1			1 μ H	
M1		Siliconix Fairchild		Si3455DV FDC654P
M2		Siliconix Siliconix Siliconix Fairchild		Si3441DV Si3443DV Si2305DS FDC634P
R1	1/4 W, 5%		0.1 Ω	
R2	0805, 1/10 W, 5%		10 k Ω	
R3	0805, 1/10 W, 5%		1 k Ω	
R4	0805, 1/10 W, 5%		560 Ω	
R5	0805, 1/10 W, 5%		6.8 k Ω	
R6	0805, 1/10 W, 5%		2.7 Ω	
R7	0805, 1/10 W, 5%		10 k Ω	



POST OFFICE BOX 655303 • DALLAS, TEXAS 75265

APPLICATION INFORMATION

battery charging control



APPLICATION INFORMATION

battery-charging control (continued)

The battery-charging control block in the device is a part of the Li-Ion battery charging system of the phone. The device controls the P-channel MOSFET to accomplish constant-voltage/constant-current charging (CVCC) within a $\pm 1\%$ tolerance in the charging termination voltage.

The battery charging control consists of the two sections:

- CVCC charge-switch control with feedback loops for voltage and current control
- Trickle charge-current control

When the voltage-detector output (DET1) is set high, the voltage-control loop is activated to regulate the voltage of ICH- to 4.2 V. Then, when the control signal input CH is set high, either the current-control loop or the trickle-charge control block is activated, depending upon battery voltage.

When VB is below the threshold Vtc, the trickle-charge current control block directs the current to the battery via TCIN, trickle-charging current control, TCOU, R6, and the battery. The measure of the voltage across sense resistor R6 is used for feedback-control of the rate of charging current.

Once the battery voltage reaches the threshold Vtc, the CVCC charge-switch control block becomes active and controls the P-channel MOSFET M1. The feedback control ensures that the voltage ICH- does not exceed 4.2 V \pm 0.05 V (4.2 V regulation), and the current draw of resistor R1 does not exceed the specified value (current-limit control). In this case, the charging current drains via R1, M2, and the battery. The maximum charging current is set by external resistors for design flexibility.

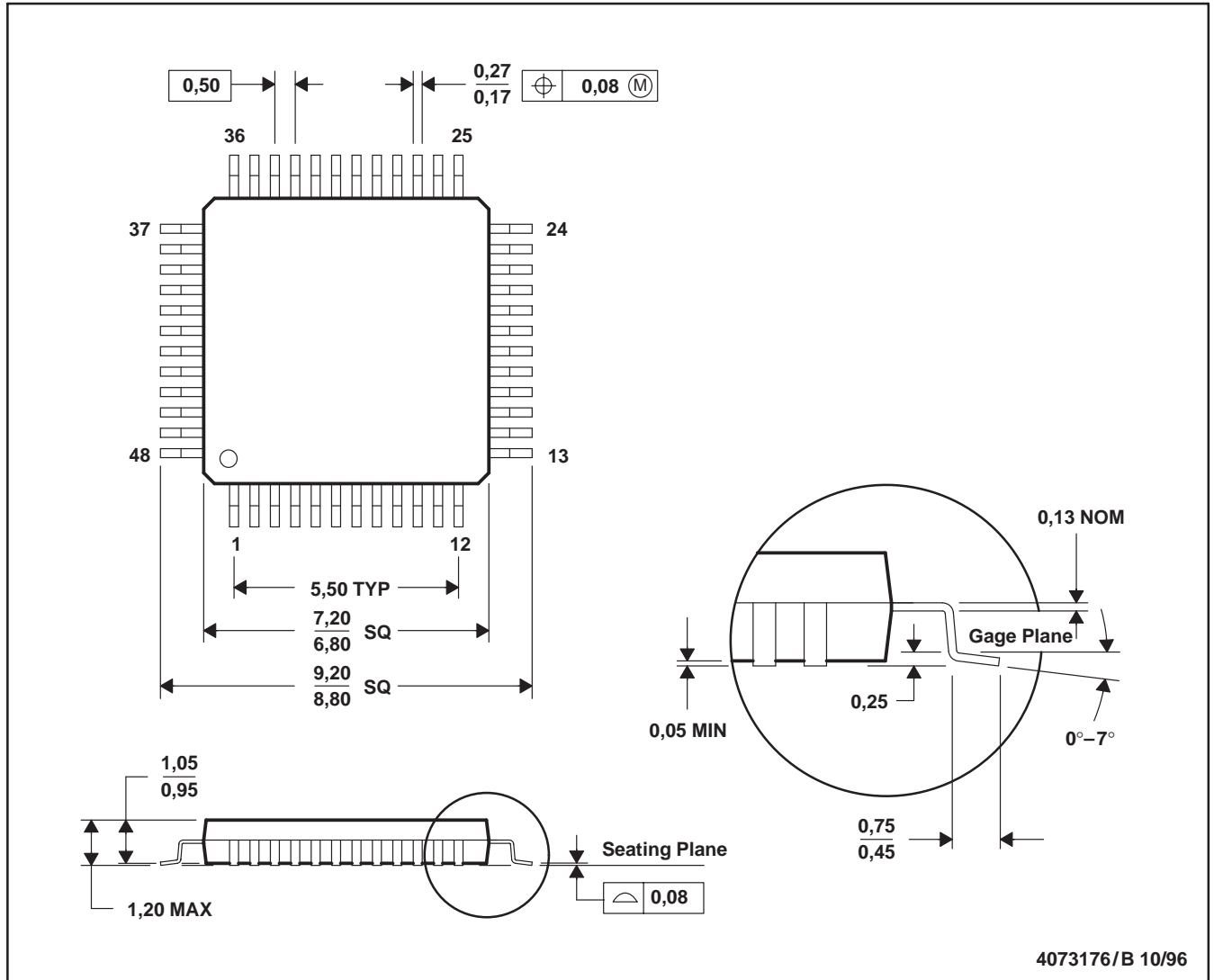
analog multiplexer output table

MUX1	MUX2	OUTPUT
0	0	MUXIN0
0	1	MUXIN1
1	0	MUXIN2
1	1	MUXIN3

MECHANICAL DATA

PFB (S-PQFP-G48)

PLASTIC QUAD FLATPACK



- NOTES: A. All linear dimensions are in millimeters.
 B. This drawing is subject to change without notice.
 C. Falls within JEDEC MS-026

IMPORTANT NOTICE

Texas Instruments and its subsidiaries (TI) reserve the right to make changes to their products or to discontinue any product or service without notice, and advise customers to obtain the latest version of relevant information to verify, before placing orders, that information being relied on is current and complete. All products are sold subject to the terms and conditions of sale supplied at the time of order acknowledgement, including those pertaining to warranty, patent infringement, and limitation of liability.

TI warrants performance of its semiconductor products to the specifications applicable at the time of sale in accordance with TI's standard warranty. Testing and other quality control techniques are utilized to the extent TI deems necessary to support this warranty. Specific testing of all parameters of each device is not necessarily performed, except those mandated by government requirements.

CERTAIN APPLICATIONS USING SEMICONDUCTOR PRODUCTS MAY INVOLVE POTENTIAL RISKS OF DEATH, PERSONAL INJURY, OR SEVERE PROPERTY OR ENVIRONMENTAL DAMAGE ("CRITICAL APPLICATIONS"). TI SEMICONDUCTOR PRODUCTS ARE NOT DESIGNED, AUTHORIZED, OR WARRANTED TO BE SUITABLE FOR USE IN LIFE-SUPPORT DEVICES OR SYSTEMS OR OTHER CRITICAL APPLICATIONS. INCLUSION OF TI PRODUCTS IN SUCH APPLICATIONS IS UNDERSTOOD TO BE FULLY AT THE CUSTOMER'S RISK.

In order to minimize risks associated with the customer's applications, adequate design and operating safeguards must be provided by the customer to minimize inherent or procedural hazards.

TI assumes no liability for applications assistance or customer product design. TI does not warrant or represent that any license, either express or implied, is granted under any patent right, copyright, mask work right, or other intellectual property right of TI covering or relating to any combination, machine, or process in which such semiconductor products or services might be or are used. TI's publication of information regarding any third party's products or services does not constitute TI's approval, warranty or endorsement thereof.