

## RAIL TO RAIL CMOS QUAD OPERATIONAL AMPLIFIER (WITH STANDBY POSITION)

- **RAIL TO RAIL** INPUT AND OUTPUT VOLTAGE RANGES
- 2 SEPARATE **STANDBY** : REDUCED **CONSUMPTION (2 $\mu$ A)** AND **HIGH IMPEDANCE OUTPUTS**
- SINGLE (OR DUAL) SUPPLY OPERATION FROM **2.7V TO 16V** ( $\pm 1.35V$  to  $\pm 8V$ )
- EXTREMELY LOW INPUT BIAS CURRENT : **1pA TYP**
- LOW INPUT OFFSET VOLTAGE : **5mV max.**
- SPECIFIED FOR **600 $\Omega$**  AND **150 $\Omega$**  LOADS
- LOW SUPPLY CURRENT : 400 $\mu$ A/Ampli ( $V_{CC} = 10V$ )
  
- **SPICE MACROMODEL** INCLUDED IN THIS SPECIFICATION

### DESCRIPTION

The TS904 is a RAIL TO RAIL quad CMOS operational amplifier designed to operate with single or dual supply voltage.

The input voltage range  $V_{icm}$  includes the two supply rails  $V_{CC}^+$  and  $V_{CC}^-$ .

The output reaches :

- $V_{CC}^- + 50mV$   $V_{CC}^+ - 50mV$  with  $R_L = 10k\Omega$
- $V_{CC}^- + 650mV$   $V_{CC}^+ - 650mV$  with  $R_L = 600\Omega$

This product offers a broad supply voltage operating range from 2.7V to 16V and a supply current of only 400 $\mu$ A/amp. ( $V_{CC} = 10V$ )

Source and sink output current capability is typically 60mA (at  $V_{CC} = 10V$ ), fixed by an internal limitation circuit.

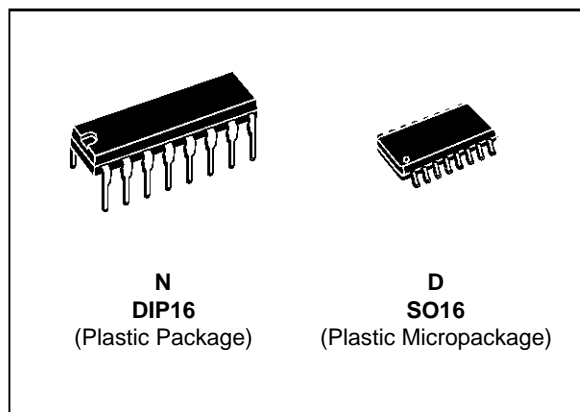
The TS904 offers two separate **STANDBY** pins :

- STANDBY 1 acting on the n°2 and n°3 operators
- STANDBY 2 acting on the n°1 and n°4 operators

They reduce the consumption of the corresponding operators and put the outputs in a high impedance state.

These two STANDBY pins should never stay not connected.

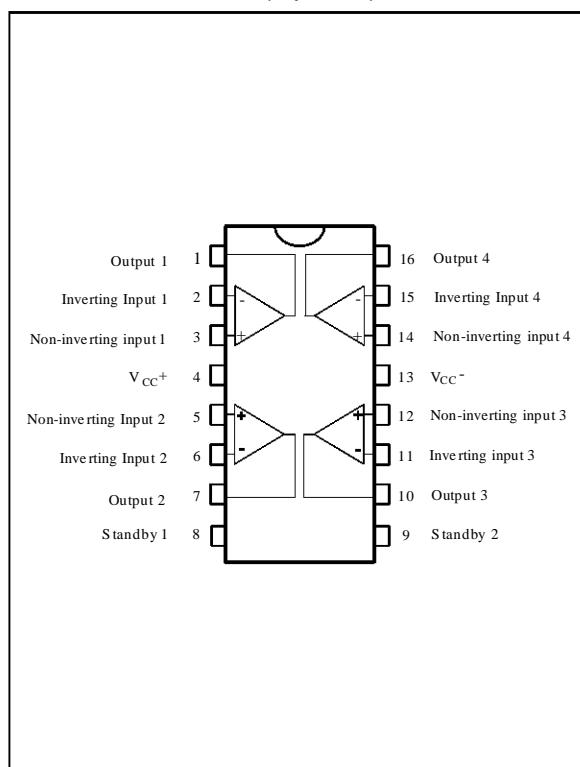
SGS-THOMSON is offering a dual op-amp with the same features : TS902.



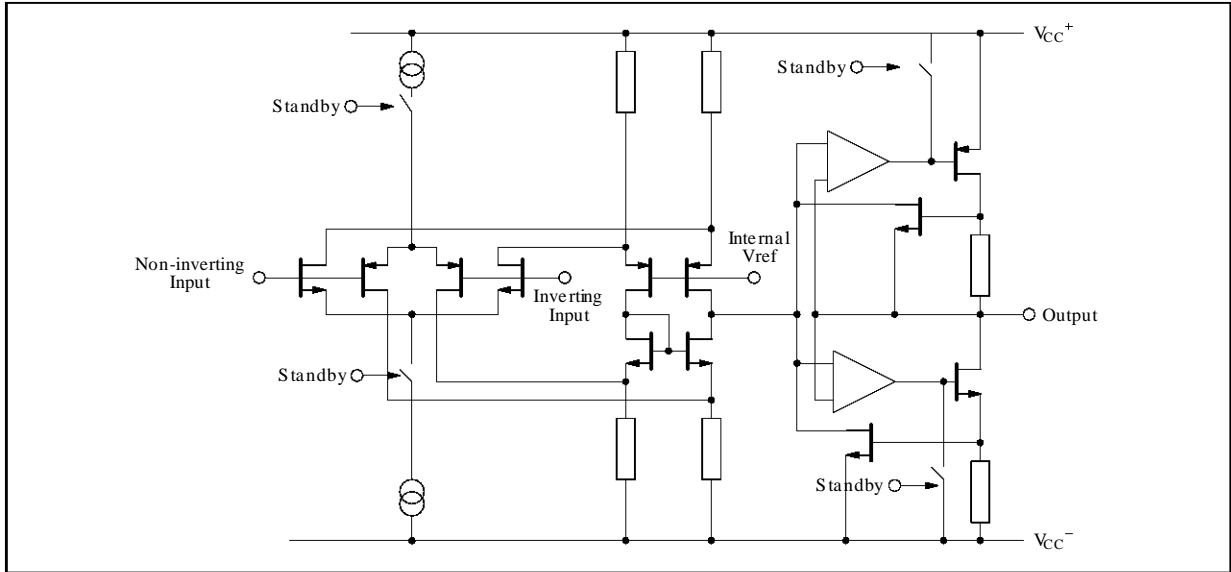
### ORDER CODES

Part Number	Temperature Range	Package	
		N	D
TS904I/AI	-40, +125°C	•	•

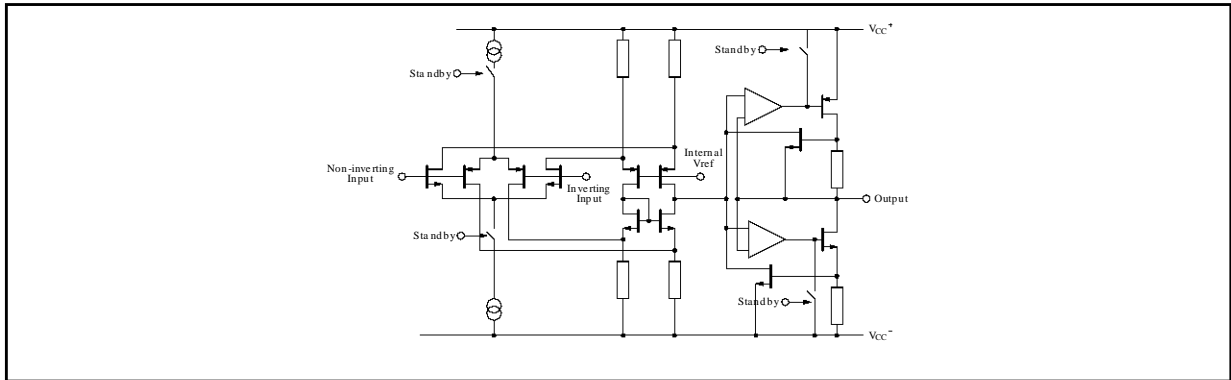
### PIN CONNECTIONS (top view)



**SCHEMATIC DIAGRAM (1/4 TS904)**



**STANDBY POSITION**



**ABSOLUTE MAXIMUM RATINGS**

Symbol	Parameter	Value	Unit
$V_{CC}$	Supply Voltage - (note 1)	18	V
$V_{id}$	Differential Input Voltage - (note 2)	$\pm 18$	V
$V_i$	Input Voltage - (note 3)	-0.3 to 18	V
$I_{in}$	Current on Inputs	$\pm 50$	mA
$I_o$	Current on Outputs	$\pm 130$	mA
$T_{oper}$	Operating Free Air Temperature Range	TS904I/AI -40 to +125	$^{\circ}C$
$T_{stg}$	Storage Temperature	-65 to +150	$^{\circ}C$

- Notes :**
1. All voltage values, except differential voltage are with respect to network ground terminal.
  2. Differential voltages are the non-inverting input terminal with respect to the inverting input terminal.
  3. The magnitude of input and output voltages must never exceed  $V_{CC}^{+} + 0.3V$ .

**OPERATING CONDITIONS**

Symbol	Parameter	Value	Unit
$V_{CC}$	Supply Voltage	2.7 to 16	V
$V_{icm}$	Common Mode Input Voltage Range	$V_{CC}^{-} - 0.2$ to $V_{CC}^{+} + 0.2$	V

**ELECTRICAL CHARACTERISTICS**

$V_{CC}^+ = 10V$ ,  $V_{CC}^- = 0V$ ,  $R_L, C_L$  connected to  $V_{CC}/2$ , pin 8 and 9 connected to  $V_{CC}^+$ ,  $T_{amb} = 25^\circ C$   
(unless otherwise specified)

Symbol	Parameter	Min.	Typ.	Max.	Unit
$V_{io}$	Input Offset Voltage ( $V_{ic} = V_o = V_{CC}/2$ ) $T_{min.} \leq T_{amb} \leq T_{max.}$			10 5 12 7	mV
$DV_{io}$	Input Offset Voltage Drift		5		$\mu V/^\circ C$
$I_{io}$	Input Offset Current - (note 1) $T_{min.} \leq T_{amb} \leq T_{max.}$		1	100 200	pA
$I_{ib}$	Input Bias Current - (note 1) $T_{min.} \leq T_{amb} \leq T_{max.}$		1	150 300	pA
$I_{CC}$	Supply Current (per amplifier, $A_{VCL} = 1$ , no load) $T_{min.} \leq T_{amb} \leq T_{max.}$		400	600 700	$\mu A$
CMR	Common Mode Rejection Ratio $V_{ic} = 3$ to $7V$ , $V_o = 5V$ $V_{ic} = 0$ to $10V$ , $V_o = 5V$	50	75 70		dB
SVR	Supply Voltage Rejection Ratio ( $V_{CC}^+ = 5$ to $10V$ , $V_o = V_{CC}/2$ )	50	80		dB
$A_{vd}$	Large Signal Voltage Gain ( $R_L = 10k\Omega$ , $V_o = 2.5V$ to $7.5V$ ) $T_{min.} \leq T_{amb} \leq T_{max.}$	20 15	60		V/mV
$V_{OH}$	High Level Output Voltage ( $V_{id} = 1V$ ) $T_{min.} \leq T_{amb} \leq T_{max.}$	$R_L = 10k\Omega$ 9.85 $R_L = 600\Omega$ 9.2 $R_L = 100\Omega$ 9.8 $R_L = 10k\Omega$ 9 $R_L = 600\Omega$	9.95 9.35 7.8		V
$V_{OL}$	Low Level Output Voltage ( $V_{id} = -1V$ ) $T_{min.} \leq T_{amb} \leq T_{max.}$	$R_L = 10k\Omega$ $R_L = 600\Omega$ $R_L = 100\Omega$ $R_L = 10k\Omega$ $R_L = 600\Omega$	50 650 2300	150 800 150 900	mV
$I_o$	Output Short Circuit Current ( $V_{id} = \pm 1V$ ) Source ( $V_o = V_{CC}^-$ ) Sink ( $V_o = V_{CC}^+$ )	45 45	60 60		mA
GBP	Gain Bandwidth Product ( $A_{VCL} = 100$ , $R_L = 10k\Omega$ , $C_L = 100pF$ , $f = 100kHz$ )		1.3		MHz
$SR^+$	Positive Slew Rate ( $A_{VCL} = 1$ , $R_L = 10k\Omega$ , $C_L = 100pF$ , $V_i = 2.5V$ to $7.5V$ )		1.3		V/ $\mu s$
$SR^-$	Negative Slew Rate ( $A_{VCL} = 1$ , $R_L = 10k\Omega$ , $C_L = 100pF$ , $V_i = 2.5V$ to $7.5V$ )		0.8		V/ $\mu s$
$\phi_m$	Phase Margin		40		Degrees
$e_n$	Equivalent Input Noise Voltage ( $R_s = 100\Omega$ , $f = 1kHz$ )		30		$\frac{nV}{\sqrt{Hz}}$
THD	Total Harmonic Distortion ( $A_{VCL} = 1$ , $R_L = 10k\Omega$ , $C_L = 100pF$ , $V_o = 4.75V$ to $5.25V$ , $f = 1kHz$ )		0.024		%
$C_{in}$	Input Capacitance		1.5		pF
$V_{O1}/V_{O2}$	Channel Separation ( $f = 1kHz$ )		120		dB

**Note 1** : Maximum values including unavoidable inaccuracies of the industrial test.

**STANDBY MODE**

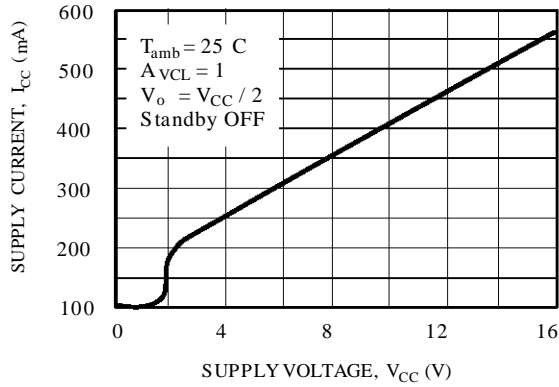
$V_{CC}^+ = 10V$ ,  $V_{CC}^- = 0V$ ,  $T_{amb} = 25^\circ C$  (unless otherwise specified)

Symbol	Parameter	TS904/AI			Unit
		Min.	Typ.	Max.	
$V_{in SBY/ON}$	Pin 8/9 Threshold Voltage for STANDBY ON		8.2		V
$V_{in SBY/OFF}$	Pin 8/9 Threshold Voltage for STANDBY OFF		8.5		V
$I_{CC SBY}$	Total Consumption Standby 1 ON - Standby 2 OFF Standby 1 OFF - Standby 2 ON Standby 1 and 2 ON		800 800 2		$\mu A$

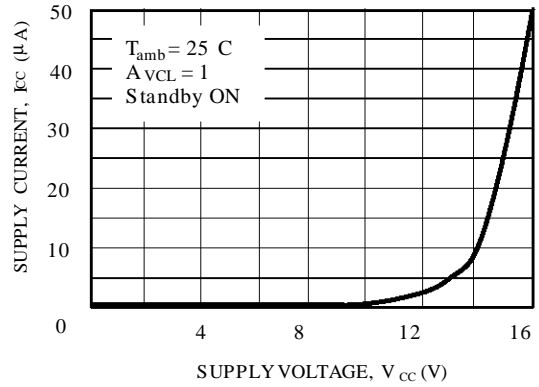
**TYPICAL CHARACTERISTICS**

(standby OFF = standby 1 and 2 OFF)  
 (standby ON = standby 1 and 2 ON)

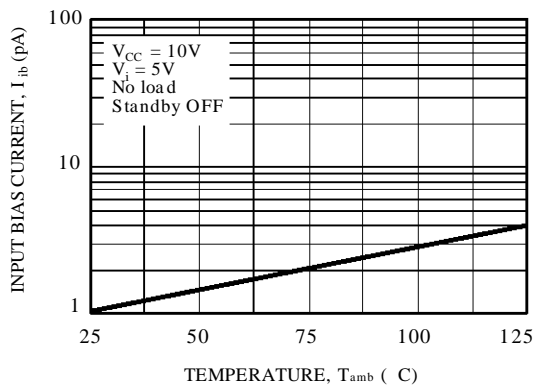
**Figure 1a :** Supply Current (each amplifier) versus Supply Voltage



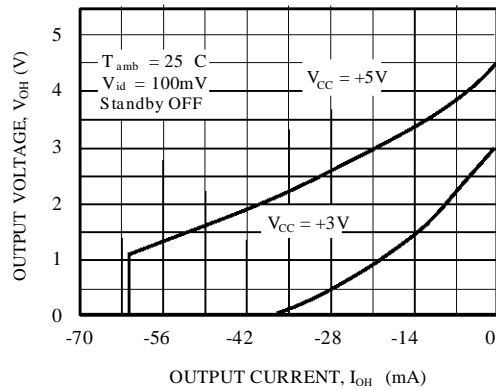
**Figure 1b :** Supply Current (each amplifier) versus Supply Voltage (in STANDBY mode)



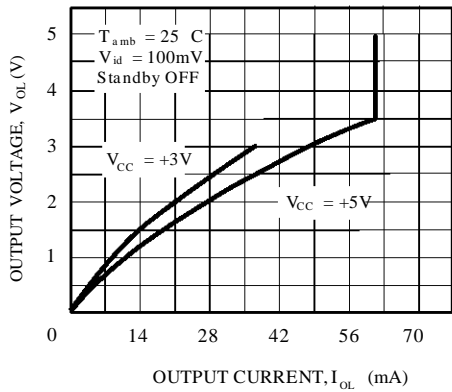
**Figure 2 :** Input Bias Current versus Temperature



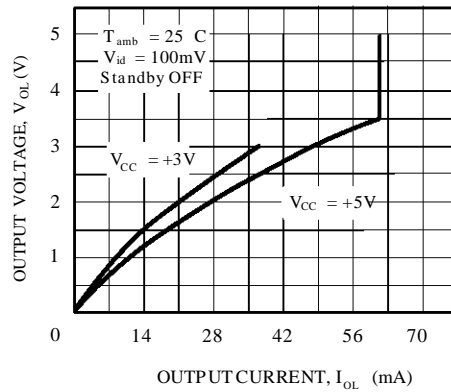
**Figure 3a :** High Level Output Voltage versus High Level Output Current



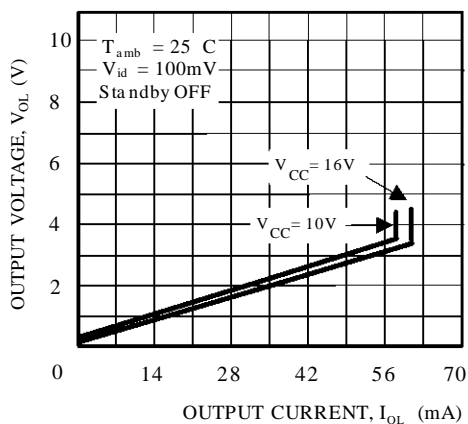
**Figure 3b :** High Level Output Voltage versus High Level Output Current



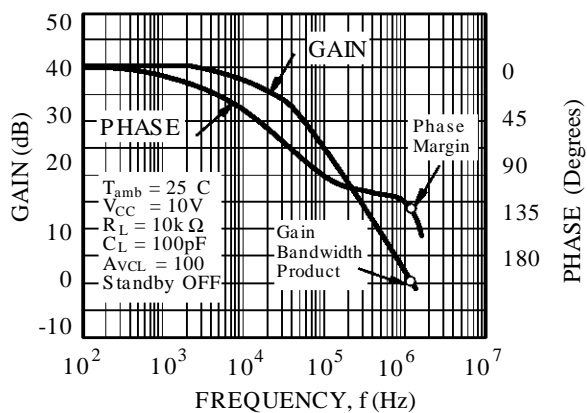
**Figure 4a :** Low Level Output Voltage versus Low Level Output Current



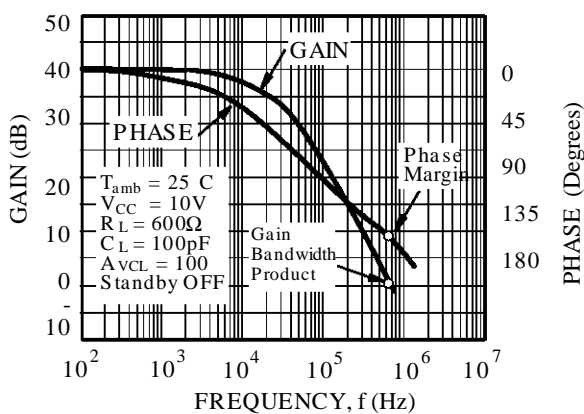
**Figure 4b :** Low Level Output Voltage versus Low Level Output Current



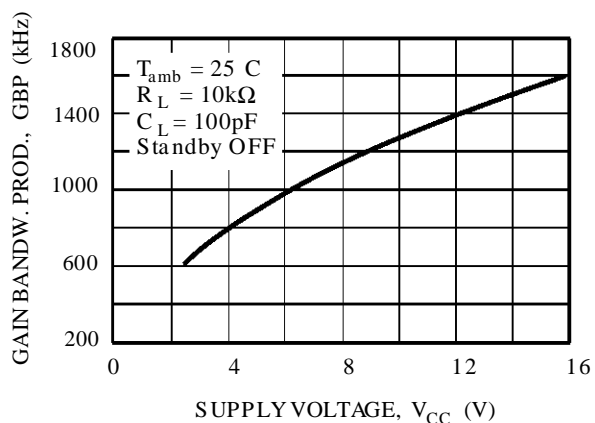
**Figure 5a :** Open Loop Frequency Response and Phase Shift



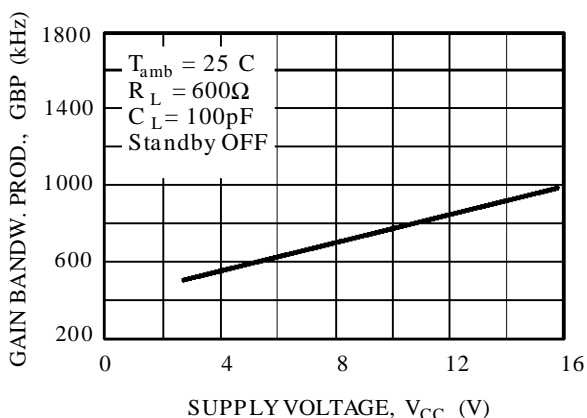
**Figure 5b :** Open Loop Frequency Response and Phase Shift



**Figure 6a :** Gain Bandwidth Product versus Supply Voltage



**Figure 6b :** Gain bandwidth Product versus Supply Voltage



**Figure 7a :** Phase Margin versus Supply Voltage

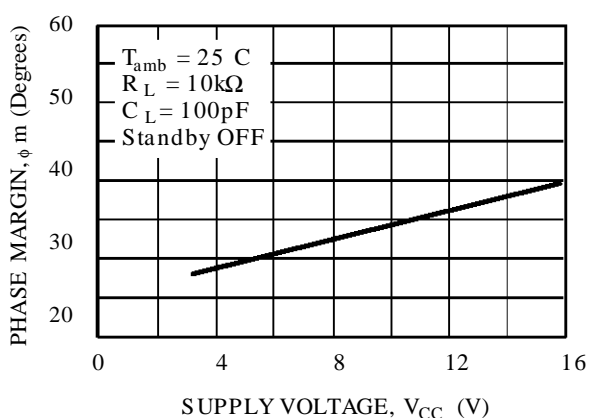


Figure 7b : Phase Margin versus Supply Voltage

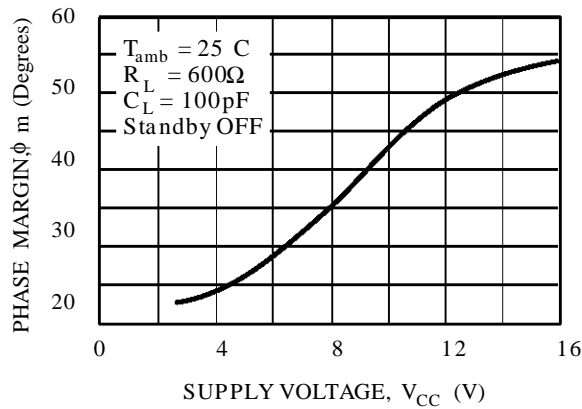
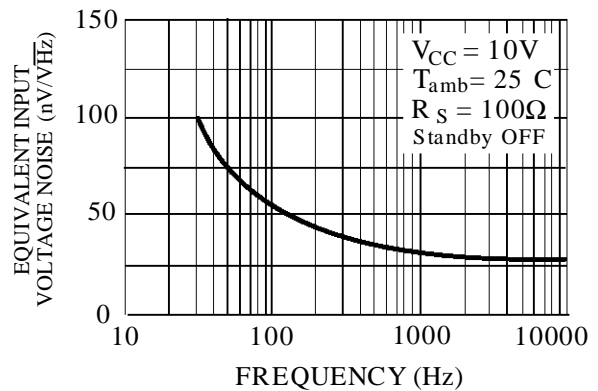


Figure 8 : Input Voltage Noise versus Frequency



**STANDBY APPLICATION**

The TS904 offers two separate STANDBY pins :

- **STANDBY 1** (pin 8) acting on the n°2 and n°3 operators.
- **STANDBY 2** (pin 9) acting on the n°1 and n°4 operators.

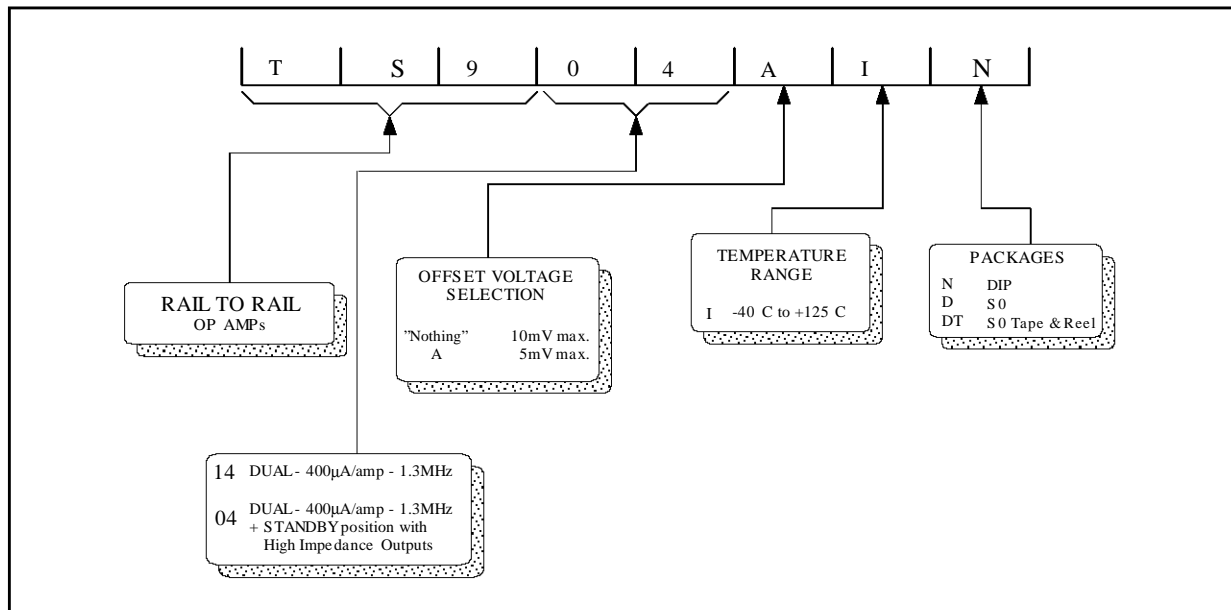
When one of these standby is activated (STANDBY ON) :

- The supply current of the corresponding operators is considerably reduced. The total consumption of the circuit is then divided by 2 (one STANDBY ON) or decreased down to 0.5μA (V<sub>CC</sub> = 3V, two STANDBY ON). (ref. figure 1b).
- All the outputs of the corresponding operators are in high impedance state. No output current can then be sourced or sinked.

The standby pins 8 and 9 should never stay unconnected.

- The "standby OFF" state, is reached when the pins 8 or 9 voltage is **higher than V<sub>in SBY/OFF</sub>**.
- The "standby ON" state, is assured by the pins 8 or 9 voltage **lower than V<sub>in SBY/OFF</sub>**. (see electrical characteristics)

**ORDERING INFORMATION**



## MACROMODEL

- **RAIL TO RAIL** INPUT AND OUTPUT VOLTAGE RANGES
- 2 SEPARATE **STANDBY** : REDUCED **CONSUMPTION (2 $\mu$ A)** AND **HIGH IMPEDANCE OUTPUTS**
- SINGLE (OR DUAL) SUPPLY OPERATION FROM **2.7V TO 16V** ( $\pm 1.35V$  to  $\pm 8V$ )
- **EXTREMELY LOW INPUT BIAS CURRENT** : **1pA TYP**
- **LOW INPUT OFFSET VOLTAGE** : **5mV max.**
- **SPECIFIED FOR 600 $\Omega$  AND 150 $\Omega$  LOADS**
- **LOW SUPPLY CURRENT** : 400 $\mu$ A/Ampli ( $V_{CC} = 10V$ )

\*\* Standard Linear Ics Macromodels, 1993.

\*\* CONNECTIONS :

\* 1 INVERTING INPUT

\* 2 NON-INVERTING INPUT

\* 3 OUTPUT

\* 4 POSITIVE POWER SUPPLY

\* 5 NEGATIVE POWER SUPPLY

\* 6 STANDBY

.SUBCKT TS904 1 3 2 4 5 6 (analog)

\*\*\*\*\*

.MODEL MDTH D IS=1E-8 KF=6.563355E-14 CJO=10F

\* INPUT STAGE

CIP 2 5 1.500000E-12

CIN 1 5 1.500000E-12

EIP 10 0 2 0 1

EIN 16 0 1 0 1

RIP 10 11 6.500000E+00

RIN 15 16 6.500000E+00

RIS 11 15 7.655100E+00

DIP 11 12 MDTH 400E-12

DIN 15 14 MDTH 400E-12

VOFP 12 13 DC 0.000000E+00

VOFN 13 14 DC 0

FPOL 13 0 VSTB 1

CPS 11 15 3.82E-08

DINN 17 13 MDTH 400E-12

VIN 17 5 -0.5000000E+00

DINR 15 18 MDTH 400E-12

VIP 4 18 -0.5000000E+00

FCP 4 5 VOFP 8.6E+00

FCN 5 4 VOFN 8.6E+00

ISTB0 5 4 900NA

\* AMPLIFYING STAGE

FIP 0 19 VOFN 5.500000E+02

FIN 0 19 VOFN 5.500000E+02

RG1 19 120 5.087344E+05

GCOM1 120 5 POLY(1) 110 109 LEVEL=1 6.25E+11

RG2 121 19 5.087344E+05

GCOM2 121 4 POLY(1) 110 109 LEVEL=1 6.25E+11

CC 19 29 2.200000E-08

HZTP 30 29 VOFN 12.33E+02

HZTN 5 30 VOFN 12.33E+02

DOPM 19 22 MDTH 400E-12

DONM 21 19 MDTH 400E-12

HOPM 22 28 VOUT 3135

VIPM 28 4 150

HONM 21 27 VOUT 3135

VINM 5 27 150

EOUT 26 23 19 5 1

VOUT 23 5 0

ROUT 26 103 65

COU1 103 5 1.000000E-12

GCOM 103 3 POLY(1) 110 109 LEVEL=1 6.25E+11

\* OUTPUT SWING

DOP 19 68 MDTH 400E-12

VOP 4 25 1.924

HSCP 68 25 VSCP1 1E8

DON 69 19 MDTH 400E-12

VON 24 5 2.4419107

HSCN 24 69 VSCN1 1.5E8

VSCTHP 60 61 0.1375

DSCP1 61 63 MDTH 400E-12

VSCP1 63 64 0

ISCP 64 0 1.000000E-8

DSCP2 0 64 MDTH 400E-12

DSCN2 0 74 MDTH 400E-12

ISCN 74 0 1.000000E-8

VSCN1 73 74 0

DSCN1 71 73 MDTH 400E-12

VSCTHN 71 70 -0.75

ESCP 60 0 2 1 500

ESCN 70 0 2 1 -2000

\* STANDBY

RMI1 4 111 1E+12

RMI2 5 111 1E+12

RSTBIN 6 0 1E+12

ESTBIN 106 0 6 0 1

ESTBREF 106 107 111 0 1

DSTB1 107 108 MDTH 400E-12

VSTB 108 109 0

ISTB 109 0 40U

RSTB 109 110 1

DSTB2 0 110 MDTH 400E-12

.ENDS

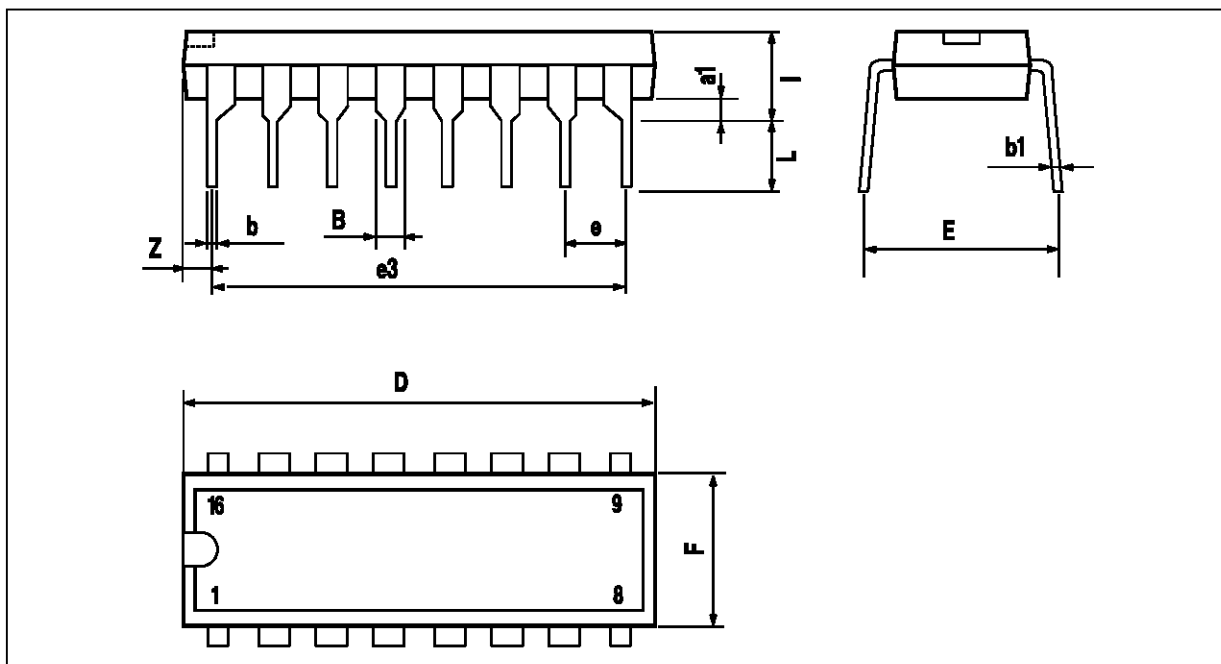
**ELECTRICAL CHARACTERISTICS**

$V_{CC}^+ = 10V$ ,  $V_{CC}^- = 0V$ ,  $R_L, C_L$  connected to  $V_{CC}/2$ , standby off,  $T_{amb} = 25^\circ C$   
(unless otherwise specified)

Symbol	Conditions	Value	Unit
$V_{io}$		0	mV
$A_{vd}$	$R_L = 10k\Omega$	40	V/mV
$I_{CC}$	No load, per operator	400	$\mu A$
$V_{icm}$		-0.2 to 10.2	V
$V_{OH}$	$R_L = 10k\Omega$	9.95	V
$V_{OL}$	$R_L = 10k\Omega$	50	mV
$I_{sink}$	$V_O = 10V$	60	mA
$I_{source}$	$V_O = 0V$	60	mA
GBP	$R_L = 10k\Omega, C_L = 100pF$	1.3	MHz
SR	$R_L = 10k\Omega, C_L = 100pF$	1.3	V/ $\mu s$
$\varnothing m$	$R_L = 10k\Omega, C_L = 100pF$	40	Degrees
$I_{CC STBY}$	$V_{STBY} = 0V$	800	nA



**PACKAGE MECHANICAL DATA**  
16 PINS - PLASTIC DIP

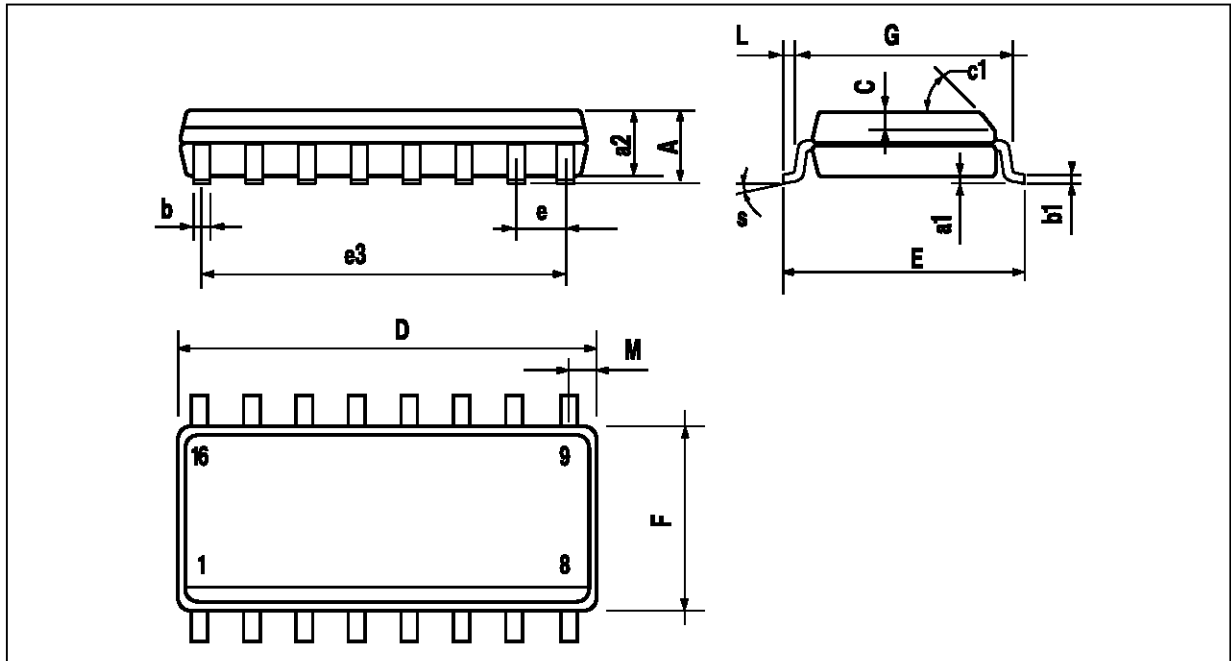


Dimensions	Millimeters			Inches		
	Min.	Typ.	Max.	Min.	Typ.	Max.
a1	0.51			0.020		
B	0.77		1.65	0.030		0.065
b		0.5			0.020	
b1		0.25			0.010	
D			20			0.787
E		8.5			0.335	
e		2.54			0.100	
e3		17.78			0.700	
F			7.1			0.280
i			5.1			0.201
L		3.3			0.130	
Z			1.27			0.050

PM-DIP16EPS

DIP16.TBL

**PACKAGE MECHANICAL DATA**  
 16 PINS - PLASTIC MICROPACKAGE (SO)



PM-SO16.EPS

Dimensions	Millimeters			Inches		
	Min.	Typ.	Max.	Min.	Typ.	Max.
A			1.75			0.069
a1	0.1		0.2	0.004		0.008
a2			1.6			0.063
b	0.35		0.46	0.014		0.018
b1	0.19		0.25	0.007		0.010
C		0.5			0.020	
c1	45° (typ.)					
D	9.8		10	0.386		0.394
E	5.8		6.2	0.228		0.244
e		1.27			0.050	
e3		8.89			0.350	
F	3.8		4.0	0.150		0.157
G	4.6		5.3	0.181		0.209
L	0.5		1.27	0.020		0.050
M			0.62			0.024
S	8° (max.)					

SO16.TBL

Information furnished is believed to be accurate and reliable. However, SGS-THOMSON Microelectronics assumes no responsibility for the consequences of use of such information nor for any infringement of patents or other rights of third parties which may result from its use. No license is granted by implication or otherwise under any patent or patent rights of SGS-THOMSON Microelectronics. Specifications mentioned in this publication are subject to change without notice. This publication supersedes and replaces all information previously supplied. SGS-THOMSON Microelectronics products are not authorized for use as critical components in life support devices or systems without express written approval of SGS-THOMSON Microelectronics.

© 1997 SGS-THOMSON Microelectronics – Printed in Italy – All Rights Reserved

SGS-THOMSON Microelectronics GROUP OF COMPANIES  
 Australia - Brazil - Canada - China - France - Germany - Hong Kong - Italy - Japan - Korea - Malaysia - Malta - Morocco  
 The Netherlands - Singapore - Spain - Sweden - Switzerland - Taiwan - Thailand - United Kingdom - U.S.A.

ORDER CODE :