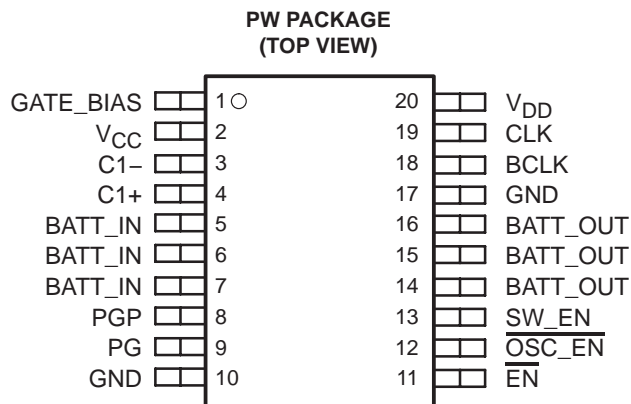


TPS9103 POWER SUPPLY FOR GaAs POWER AMPLIFIERS

SLVS131A – OCTOBER 1995 – REVISED JULY 1996

- Charge Pump Provides Negative Gate Bias for Depletion-Mode GaAs Power Amplifiers
- Buffered Clock Output to Drive Additional External Charge Pump
- 135-mΩ High-Side Switch Controls Supply Voltage to the GaAs Power Amplifier
- Power-Good Circuitry Prevents High-Side Switch Turn-on Until Negative Gate Bias is Present
- Charge Pump Can Be Driven From the Internal Oscillator or An External Clock
- 10-μA Maximum Standby Current
- Low-Profile (1.2-mm Max Height), 20-Pin TSSOP Package



description

The TPS9103 is a highly integrated power supply for depletion-mode GaAs power amplifiers (PA) in cellular handsets and other wireless communications equipment. Functional integration and low-profile packaging combine to minimize circuit-board area and component height requirements. The device includes: a p-channel MOSFET configured as a high-side switch to control the application of power to the PA; a driver for the high-side switch with a logic-compatible input; a charge pump to provide negative gate-bias voltage; and logic to prevent turn-on of the high-side switch until gate bias is present. The high-side switch has a typical on-state resistance of 135 mΩ.

The TPS9103 is available in a 20-pin thin shrink small-outline package (TSSOP) or in chip form. Contact factory for die sales. The device operates over a junction temperature range of -25°C to 125°C.

AVAILABLE OPTIONS

T _A	PACKAGED DEVICE	CHIP FORM (Y)
	TSSOP (PW)	
-25°C to 85°C	TPS9103PWLE	TPS9103Y

The PW package is only available left-end taped and reeled (indicated by the LE suffix on the device type).



Please be aware that an important notice concerning availability, standard warranty, and use in critical applications of Texas Instruments semiconductor products and disclaimers thereto appears at the end of this data sheet.

PRODUCTION DATA information is current as of publication date. Products conform to specifications per the terms of Texas Instruments standard warranty. Production processing does not necessarily include testing of all parameters.

 **TEXAS
INSTRUMENTS**

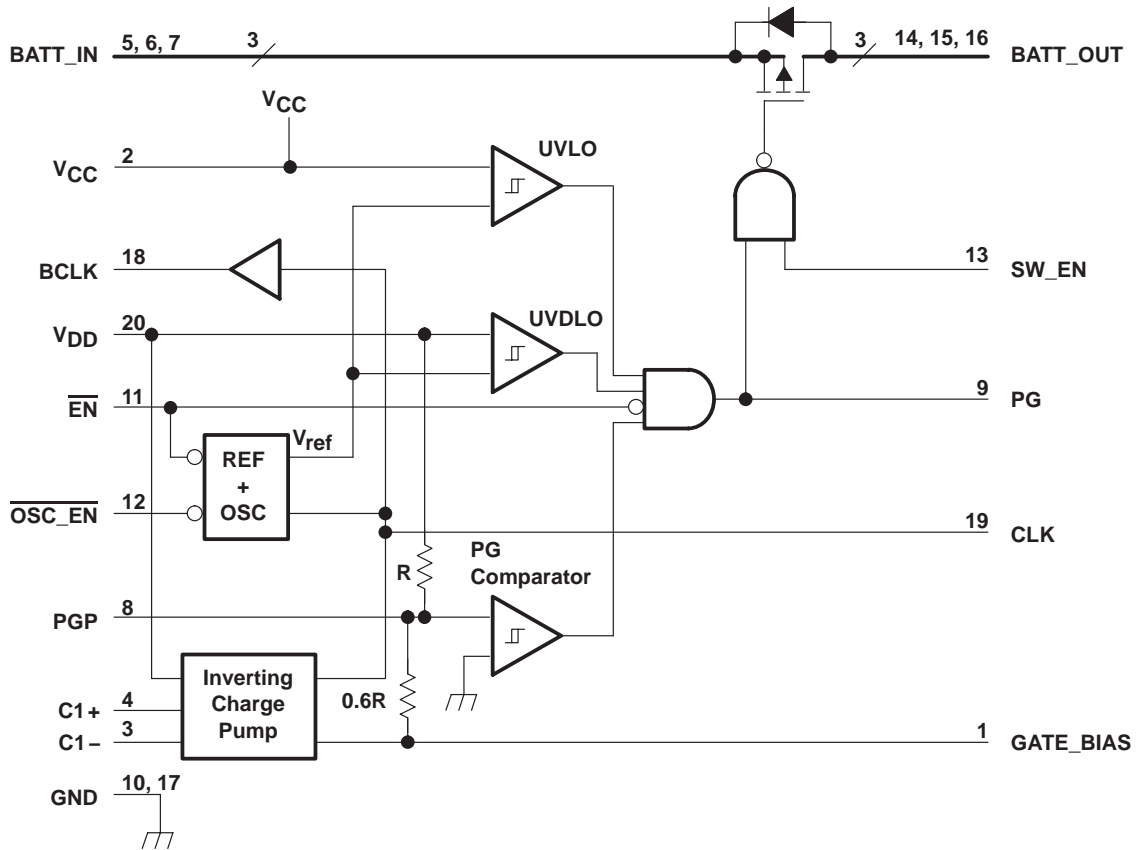
POST OFFICE BOX 655303 • DALLAS, TEXAS 75265
POST OFFICE BOX 1443 • HOUSTON, TEXAS 77251-1443

Copyright © 1996, Texas Instruments Incorporated

TPS9103 POWER SUPPLY FOR GaAs POWER AMPLIFIERS

SLVS131A – OCTOBER 1995 – REVISED JULY 1996

functional block diagram

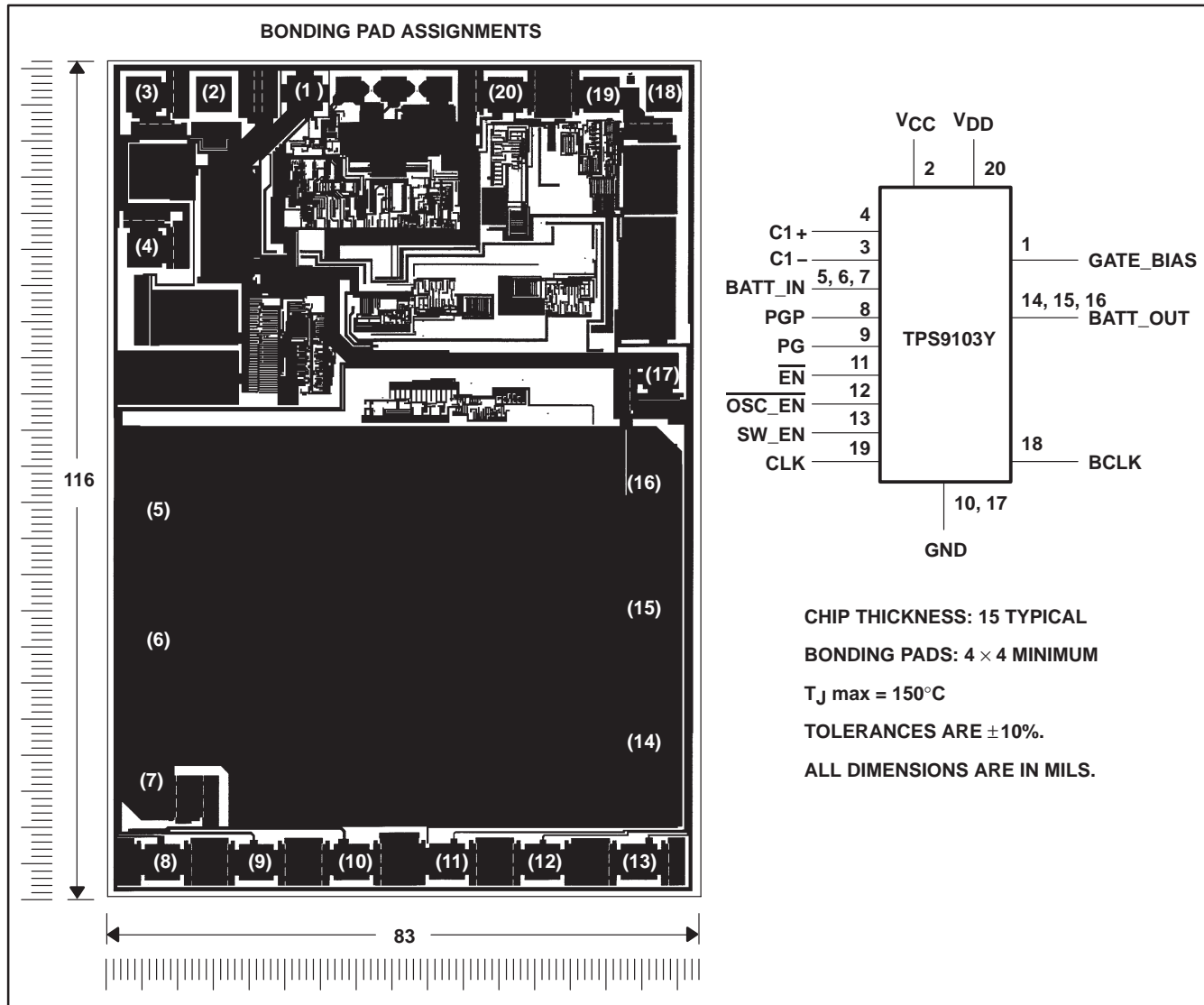


TPS9103 POWER SUPPLY FOR GaAs POWER AMPLIFIERS

SLVS131A – OCTOBER 1995 – REVISED JULY 1996

TPS9103Y chip information

This chip, when properly assembled, displays characteristics similar to the TPS9103. Thermal compression or ultrasonic bonding may be used on the doped-aluminum bonding pads. The chips may be mounted with conductive epoxy or a gold-silicon preform. Contact factory for die sales.



TPS9103 POWER SUPPLY FOR GaAs POWER AMPLIFIERS

SLVS131A – OCTOBER 1995 – REVISED JULY 1996

Terminal Functions

TERMINAL NAME	NO.	DESCRIPTION
GATE_BIAS	1	Negative gate-bias output voltage
VCC	2	Logic supply voltage
C1-	3	External capacitor connection (inverting charge pump)
C1+	4	External capacitor connection (inverting charge pump)
BATT_IN	5	High-side switch input voltage
BATT_IN	6	High-side switch input voltage
BATT_IN	7	High-side switch input voltage
PGP	8	Program input for power-good threshold
PG	9	Power-good output
GND	10	Ground
$\overline{\text{EN}}$	11	Chip-enable input
$\overline{\text{OSC_EN}}$	12	Oscillator-enable input
SW_EN	13	High-side switch enable input
BATT_OUT	14	High-side switch output voltage
BATT_OUT	15	High-side switch output voltage
BATT_OUT	16	High-side switch output voltage
GND	17	Ground
BCLK	18	Buffered clock output
CLK	19	Clock (bidirectional)
VDD	20	Charge-pump supply voltage



POST OFFICE BOX 655303 • DALLAS, TEXAS 75265
POST OFFICE BOX 1443 • HOUSTON, TEXAS 77251-1443

detailed description

high-side switch and driver (BATT_IN, BATT_OUT, SW_EN)

The high-side switch is a p-channel MOSFET with a maximum on-state resistance of 180 m Ω ($V_{I(BATT_IN)} = 6\text{ V}$ and $V_{CC} = 3.3\text{ V}$). The driver pulls the gate of the high-side switch to GATE_BIAS instead of ground to reduce the MOSFET on-state resistance. Gate breakdown considerations limit the voltage between BATT_IN and GATE_BIAS to 15 V. Extremely fast switching times are not required in this application, and the high-side switch/driver is designed to provide 2 μs maximum switching times with minimum power consumption. The GaAs depletion-mode MOSFETs in the PA are protected from damage at power-up by internal logic that inhibits the driver until negative gate bias is available. The control input SW_EN is compatible with 3-V and 5-V CMOS logic; a logic-high input turns the high-side switch on.

oscillator ($\overline{\text{OSC_EN}}$, CLK)

The internal oscillator drives the charge pump at 50 kHz with a nominal duty cycle of 50% when both the $\overline{\text{EN}}$ and $\overline{\text{OSC_EN}}$ inputs are logic lows. CLK outputs the internal oscillator signal (no buffer). A logic-high input to $\overline{\text{OSC_EN}}$ disables the internal oscillator and allows the charge pump to operate from an external clock connected to CLK. When an external clock with negative overshoot is applied, a Schottky diode must be added to limit the amplitude of the overshoot.

charge pump (GATE_BIAS, C1+, C1-)

The inverting charge pump generates the negative gate-bias voltage output at GATE_BIAS.

chip enable ($\overline{\text{EN}}$)

A logic high on $\overline{\text{EN}}$ shuts down the internal functions of the TPS9103 and turns the bias system off, reducing the supply current to less than 10 μA . A low input on $\overline{\text{EN}}$ causes normal operation to resume.

power good (PG, PGP)

PG output is logic high when GATE_BIAS is in regulation. PG output is logic low when GATE_BIAS is not in regulation. The high-side switch is disabled and PG is forced to logic low whenever the magnitude of GATE_BIAS is less than $0.6 \times V_{DD}$. A modified threshold for the power-good function can be achieved by programming PGP with an external resistor.

undervoltage lockout for V_{CC} and V_{DD} (UVLO and UVDLO)

Undervoltage lockout prevents operation at supply voltages too low for proper operation. When UVLO or UVDLO is active, all power-switch drives are forced to the off state and bias is removed from unneeded functions. Hysteresis is provided to minimize cycling on and off because of source impedance loading when the supply voltage is close to the threshold.

buffered clock output (BCLK)

The buffered clock output is a driver for an external charge pump. When the optional external charge pump is not needed, BCLK should be left unconnected. For more details, see the application section.

supply input for inverting charge pump (V_{DD})

V_{DD} is the supply voltage for the inverting charge pump. In normal operation, V_{DD} is connected to V_{CC} . If the negative gate-bias needs to be larger than V_{CC} (i.e., more negative), then a higher voltage supply needs to be connected to V_{DD} . This can be supplied from an external charge pump driven from BCLK.

TPS9103 POWER SUPPLY FOR GaAs POWER AMPLIFIERS

SLVS131A – OCTOBER 1995 – REVISED JULY 1996

DISSIPATION RATING TABLE

PACKAGE	T _A ≤ 25°C POWER RATING	DERATING FACTOR ABOVE T _A = 25°C	T _A = 70°C POWER RATING	T _A = 85°C POWER RATING
PW	645 mW	6.5 mW/°C	353 mW	255 mW

Maximum values are calculated using a derating factor based on R_{θJA} = 154°C/W for the package. These devices are mounted on an FR4 board with no special thermal considerations.

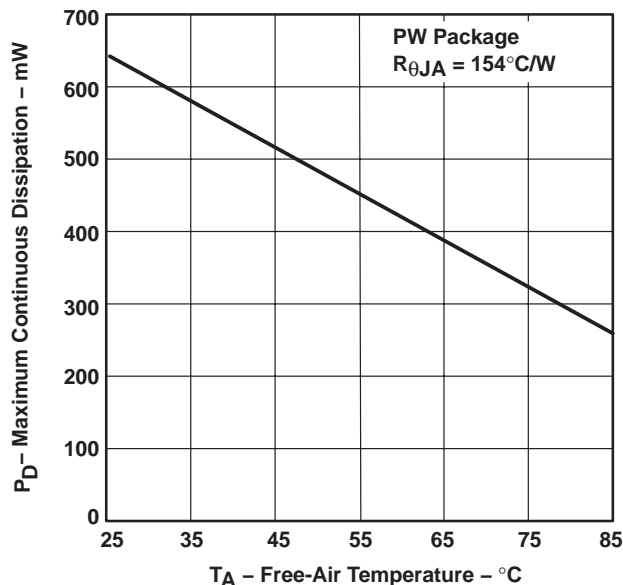


Figure 1. Dissipation vs Free-Air Temperature

absolute maximum ratings over operating free-air temperature range (unless otherwise noted)†

High-side switch input voltage range, BATT_IN (see Note 1)	-0.3 V to 15 V
Supply voltage range, V _{CC} , V _{DD}	-0.3 V to 7 V
Differential voltage, BATT_IN - GATE_BIAS	15 V
Input voltage range, SW_EN, \overline{EN} , CLK, $\overline{OSC_EN}$, PG	-0.3 V to V _{CC} + 0.3 V
GATE_BIAS	-5.5 V
Output current, PG	5 mA
Output current, BCLK	50 mA
Output current, GATE_BIAS	10 mA
Output current, BATT_OUT	2 A
Peak output current, BATT_OUT	4 A
Maximum external clock frequency, CLK	100 kHz
Continuous total power dissipation	See Dissipation Rating Table
Junction temperature range, T _J	-25°C to 150°C
Storage temperature range, T _{stg}	-65°C to 150°C

† Stresses beyond those listed under “absolute maximum ratings” may cause permanent damage to the device. These are stress ratings only, and functional operation of the device at these or any other conditions beyond those indicated under “recommended operating conditions” is not implied. Exposure to absolute-maximum-rated conditions for extended periods may affect device reliability.

- NOTES:
- All voltages are with respect to device GND.
 - Differential voltage calculated: |V_Imax| + |GATE_BIAS|



TPS9103 POWER SUPPLY FOR GaAs POWER AMPLIFIERS

SLVS131A – OCTOBER 1995 – REVISED JULY 1996

recommended operating conditions

	MIN	NOM	MAX	UNIT
Input voltage, BATT_IN	3		9	V
Supply voltage, V _{CC} , V _{DD}	2.7		5.5	V
Output voltage, GATE_BIAS, V _O	-2		-5	V
Continuous output current, GATE_BIAS	0		10	mA
Continuous output current, BATT_OUT	0		2	A
Charge-pump capacitor value at C1+/C1-		0.33		μF
External clock frequency, CLK	25		75	kHz
High-level input voltage, V _{IH}	2			V
Low-level input voltage, V _{IL}			0.8	V
Input current, I _I	-1		1	μA
Operating junction temperature, T _J	-25		125	°C

**electrical characteristics over recommended operating junction temperature range,
BATT_IN = 6 V, V_{CC} = V_{DD} = 3.3 V, I_O(BATT_OUT) = 0.5 A, I_O(GATE_BIAS) = 2 mA,
EN = OSC_EN = 0 V, SW_EN = V_{CC}, C1 = 0.33 μF (unless otherwise noted)**

charge pump

PARAMETER	TEST CONDITIONS	MIN	TYP	MAX	UNIT
Output voltage		-3	-3.10	-3.3	V
Output resistance			95		Ω

high-side switch

PARAMETER	TEST CONDITIONS	MIN	TYP	MAX	UNIT
Dran-to-source on-state resistance	T _A = 25°C		135	180	mΩ
	T _A = -25°C to 85°C			210	
	T _A = 25°C, V _I (BATT_IN) = 3 V		160	220	
	T _A = -25°C to 85°C, BATT_IN = 3 V			260	
Leakage current	T _A = 25°C, V _I (BATT_IN) = 9 V, SW_EN = 0 V			1	μA
	T _A = 85°C, V _I (BATT_IN) = 9 V, SW_EN = 0 V			10	
Delay to high-level output	SW_EN from 0 to V _{CC}		0.2	2	μs
Delay to low-level output	SW_EN from V _{CC} to 0		0.9	2	μs

oscillator

PARAMETER	TEST CONDITIONS	MIN	TYP	MAX	UNIT
Frequency	V _{CC} = 2.7 V to 5.5 V	35	50	60	kHz
Duty cycle	V _{CC} = 2.7 V to 5.5 V	40%	50%	60%	

buffered clock output (BCLK)

PARAMETER	TEST CONDITIONS	MIN	TYP	MAX	UNIT
Output resistance				10	Ω
High-level output voltage	I(BCLK) = 30 mA	V _{CC} - 0.3			V
Low-level output voltage	I(BCLK) = 30 mA			0.3	V



TPS9103

POWER SUPPLY FOR GaAs POWER AMPLIFIERS

SLVS131A – OCTOBER 1995 – REVISED JULY 1996

power good (PG)

PARAMETER	TEST CONDITIONS	MIN	TYP	MAX	UNIT
Threshold voltage	$V_{DD} = 2.7\text{ V to }5.5\text{ V}$		$0.60 \times V_{DD}$		V
On-state voltage	$I_{O(PG)} = 500\ \mu\text{A}, V_{CC} = 2.7\text{ V to }5.5\text{ V}$			0.3	V
Off-state voltage	$I_{O(PG)} = -500\ \mu\text{A}, V_{CC} = 2.7\text{ V to }5.5\text{ V}$	$V_{CC} - 0.3$			V
Hysteresis			130		mV

power good (PGP)

PARAMETER	TEST CONDITIONS	MIN	TYP	MAX	UNIT
Input impedance		85			k Ω

undervoltage lockout (UVLO + UVDLO)

PARAMETER	TEST CONDITIONS	MIN	TYP	MAX	UNIT
Start threshold voltage	V_{CC} increasing	2.4		2.7	V
Hysteresis			130		mV

supply current (I_{CC} and I_{DD})

PARAMETER	TEST CONDITIONS	MIN	TYP	MAX	UNIT
Standby mode	$\overline{EN} = V_{CC}$		1	10	μA
Undervoltage lockout	$V_{CC} = V_{DD} < 2.3\text{ V}$		35	50	μA
Operating mode	No load		300	500	μA



PARAMETER MEASUREMENT INFORMATION

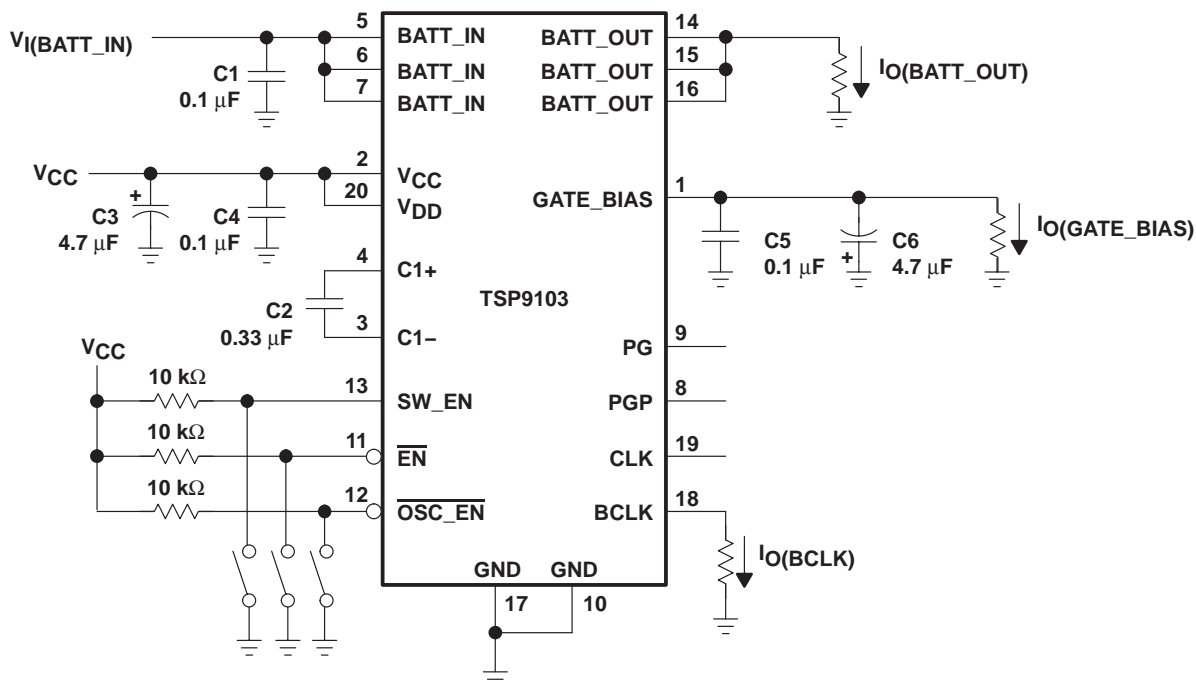


Figure 2. Test Circuit

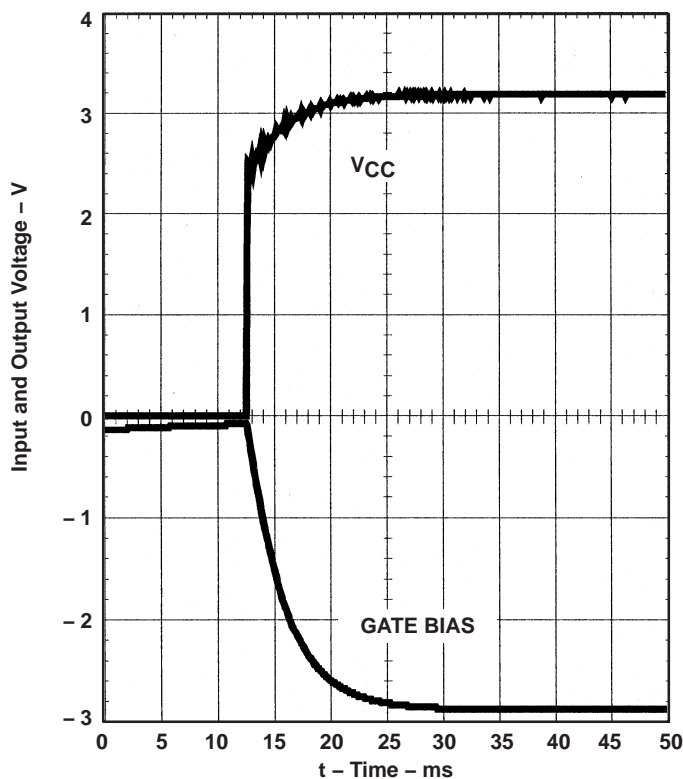


Figure 3. GATE_BIAS Output Voltage Rise Time

TPS9103 POWER SUPPLY FOR GaAs POWER AMPLIFIERS

SLVS131A – OCTOBER 1995 – REVISED JULY 1996

PARAMETER MEASUREMENT INFORMATION

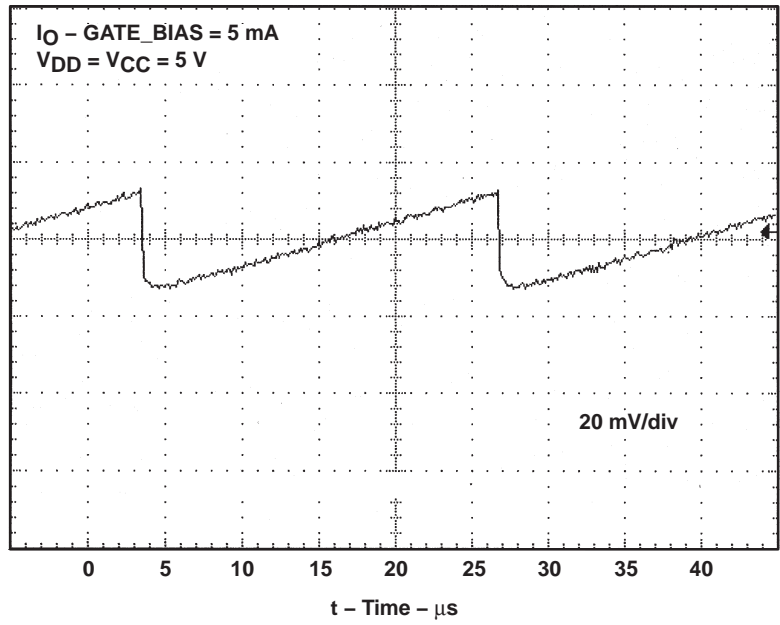


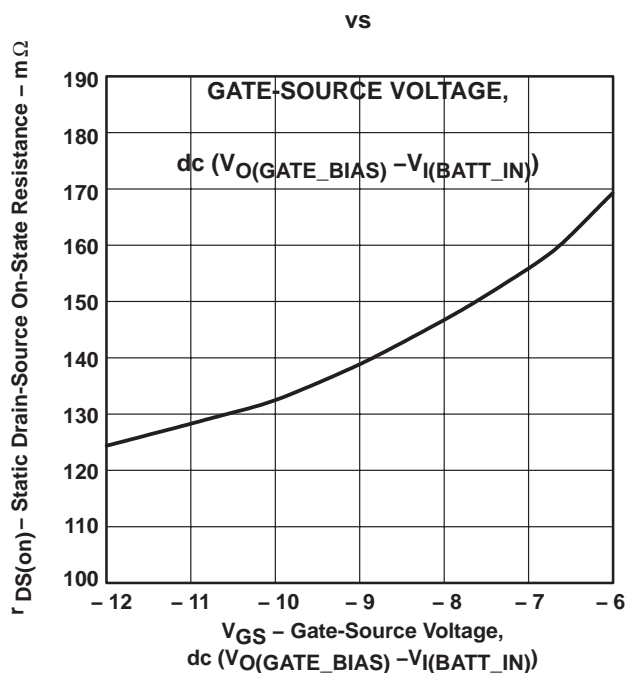
Figure 4. Ripple on GATE_BIAS

TYPICAL CHARACTERISTICS

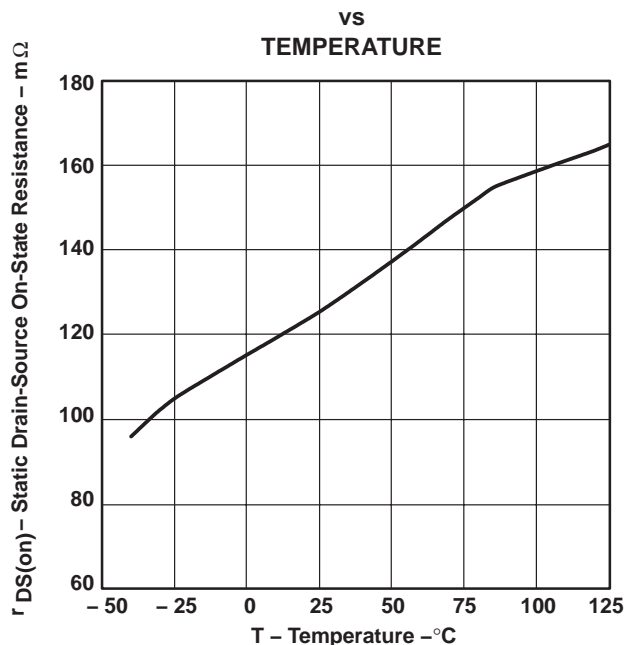
TABLE OF GRAPHS

		FIGURE	
$r_{DS(on)}$	Static drain-source on-state resistance	vs Gate-source voltage, dc	5
		vs Temperature	6
F_{osc}	Oscillator frequency	vs Supply voltage	7
		vs Temperature	8
V_O	Output voltage	vs Output current	9
		vs CLK frequency	10
V_{IT}	Threshold voltage	vs Temperature	11
	Supply current ($I_{CC} + I_{DD}$)	vs Supply voltage	12
		vs Temperature	13

STATIC DRAIN-SOURCE ON-STATE RESISTANCE



**HIGH-SIDE SWITCH
STATIC DRAIN-SOURCE ON-STATE RESISTANCE**



TPS9103 POWER SUPPLY FOR GaAs POWER AMPLIFIERS

SLVS131A – OCTOBER 1995 – REVISED JULY 1996

TYPICAL CHARACTERISTICS

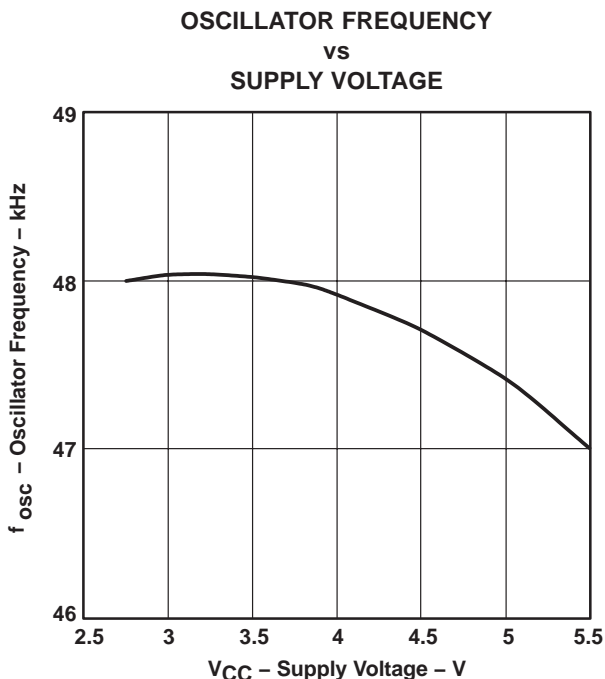


Figure 7

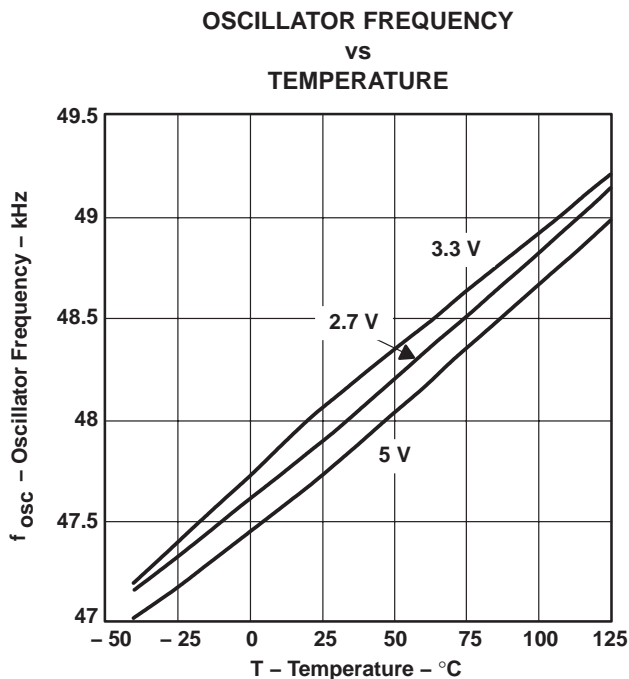


Figure 8

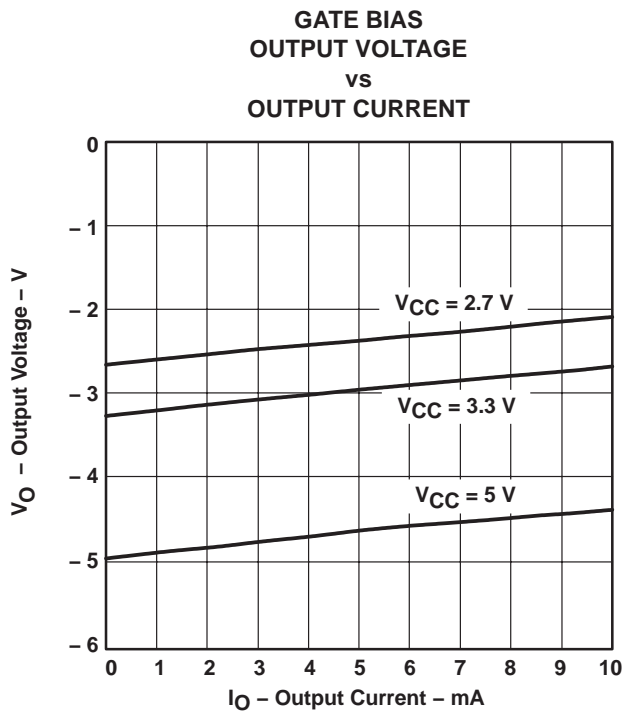


Figure 9

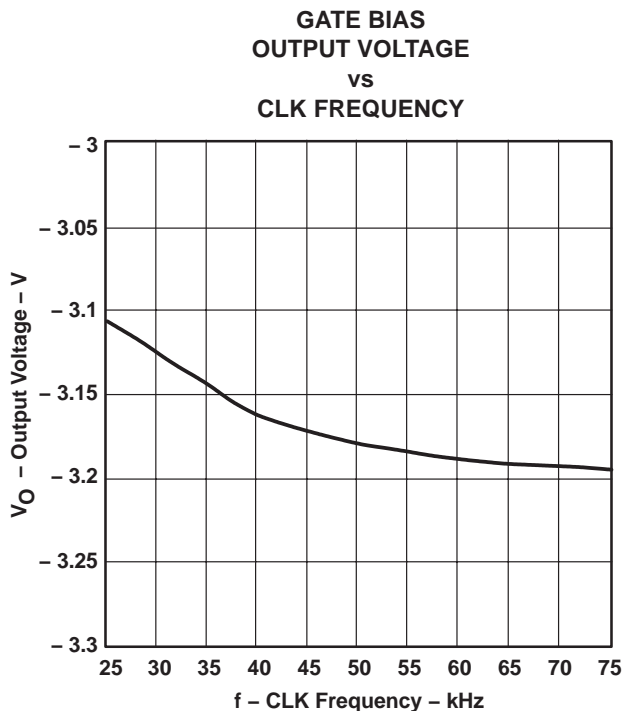


Figure 10



TYPICAL CHARACTERISTICS

UNDERVOLTAGE LOCKOUT (V_{CC} , V_{DD})
THRESHOLD VOLTAGE

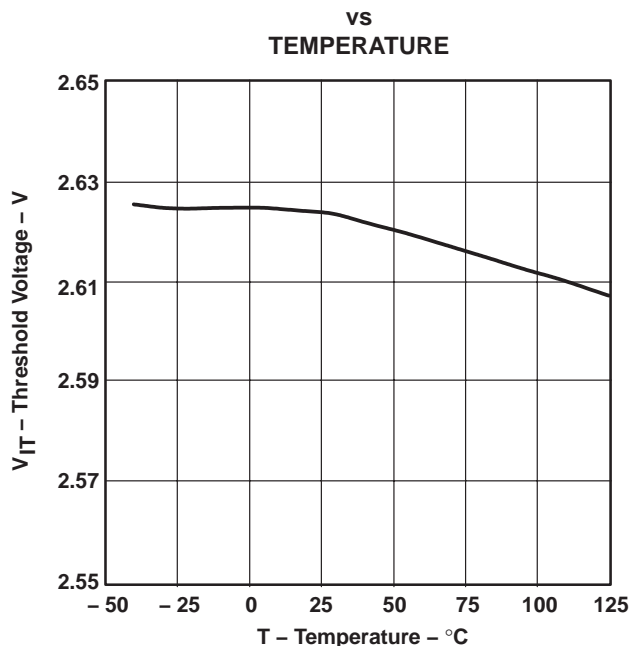


Figure 11

SUPPLY CURRENT ($I_{CC} + I_{DD}$)

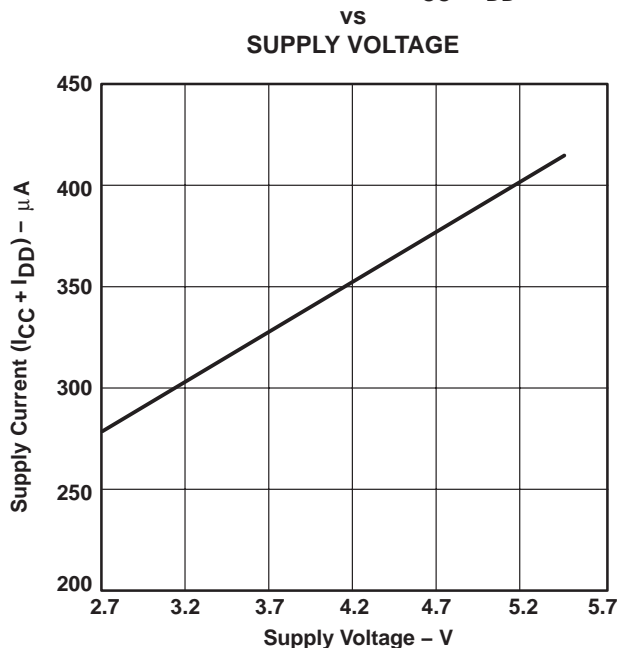


Figure 12

SUPPLY CURRENT ($I_{CC} + I_{DD}$)

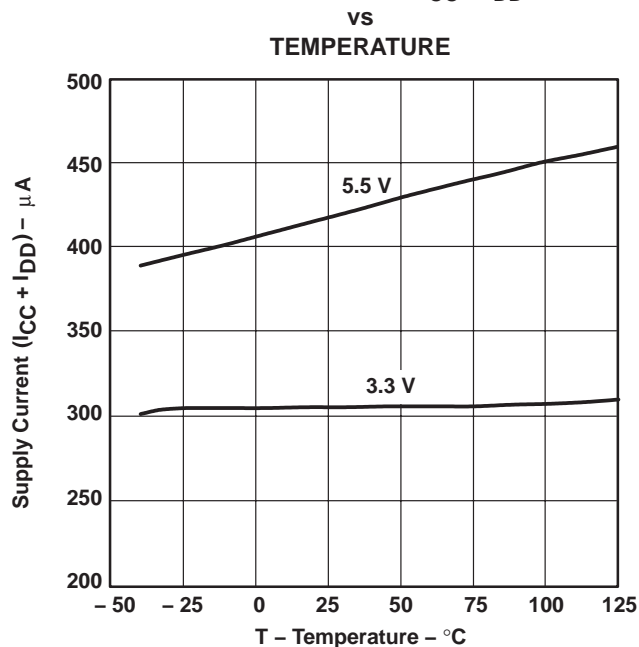


Figure 13

TPS9103

POWER SUPPLY FOR GaAs POWER AMPLIFIERS

SLVS131A – OCTOBER 1995 – REVISED JULY 1996

THERMAL INFORMATION

Implementation of integrated circuits in low-profile and fine-pitch packages requires special attention to power dissipation. Many system-dependent issues such as thermal coupling, airflow, added heat sinks and convection surfaces, and the presence of other heat-generating components affect the power-dissipation limits of a given component.

Three basic approaches for enhancing thermal performance are listed below:

- Improving the power-dissipation capability of the PWB design
- Improving the thermal coupling of the component to the PWB
- Introducing airflow in to the system

Using the given $R_{\theta JA}$ for this IC, the maximum power dissipation can be calculated with the equation:

$$P_D^{\max} = \frac{T_{J\max} - T_A}{R_{\theta JA}}$$

For the TPS9103, the power dissipation is in the PMOSFET. To calculate the power, use: $I^2 \times R$ where I is the current through the device and R is the internal resistance as shown in the electrical characteristics table.

For a V_I of 6 V, the resistance at 85°C is 0.210 Ω . At a current of 2 A, the peak power dissipation is:

$$P_D = 2^2 \times 0.210 = 0.84 \text{ W}$$

Assuming a duty cycle of 1/8 or 0.125, the average power is:

$$0.84 \text{ W} \times 0.125 = 0.105 \text{ W}$$

The change in temperature is:

$$\Delta T = 0.105 \text{ W} \times 154^\circ\text{C/W} = 16.2^\circ\text{C}$$

and the junction temperature is:

$$T_J = 85^\circ\text{C} + 16.2^\circ\text{C} = 101.2^\circ\text{C}$$



APPLICATION INFORMATION

introduction

Traditionally the RF power amplifier (PA) is powered directly from the battery, with a switching arrangement for powering down when not in use. GaAs FET PAs require a negative bias voltage that must be present before the supply is connected, or there is risk of destroying the FET. Logic must be provided to ensure the presence of the negative bias voltage.

A secondary charge pump is necessary for systems in which the supply voltage is insufficiently high – the negative bias produced from the charge pump is inadequate. In mobile telephony a second charge pump (regulated or unregulated) may also be needed, e.g. for varicap diodes/VCOs and some preamplifiers. The need for larger dynamic range or control-voltage range can become critical in certain applications.

the TPS9103 approach

The TPS9103 integrates a P-channel MOSFET high-side switch together with a selectable oscillator and charge pump for the GaAs FET power-amplifier gate bias, which is monitored.

Complete precautions are taken to ensure that the PA supply is not enabled unless the gate bias is present while V_{CC} and V_{DD} are also good. This protects the PA from inadvertent damage—without a major system size/cost increase.

The bias regulation monitor is flexible, accommodating both fixed and programmable approaches. The fixed resistors, provided internally, set the trip voltage to $-0.6 \times V_{DD}$. If V_{DD} is 5 V, then the trip voltage is -3 V. Should another value be preferred, it can be set by applying voltage divider to PGP. See the section “dimensioning the external voltage divider” for more details.

The charge pump clock is also flexible. The on-chip oscillator runs at a nominal 50 kHz, or alternatively an external oscillator can be connected to CLK. When an external clock is used, $\overline{OSC_EN}$ should be taken high to disable the oscillator. When $\overline{OSC_EN}$ is low and the on-chip oscillator is used, CLK provides an unbuffered clock output.

The circuit provides for a secondary charge pump driver. The buffered BCLK output can be used (with four external components) to provide a higher supply, both for those system functions that require it and for those GaAs PAs that need a more negative bias than is made possible by inverting the existing supply. This is facilitated by use of single-cell Li-ion batteries.

Figure 14 shows the TPS9103 in a typical application.



TPS9103 POWER SUPPLY FOR GaAs POWER AMPLIFIERS

SLVS131A – OCTOBER 1995 – REVISED JULY 1996

APPLICATION INFORMATION

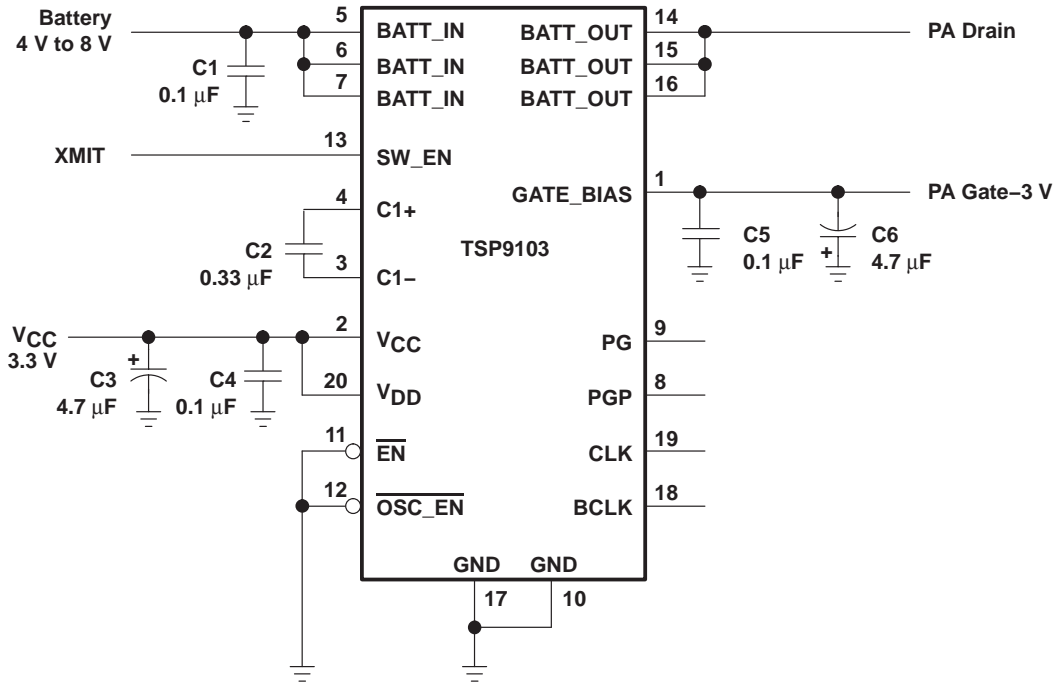


Figure 14. Typical Application

APPLICATION INFORMATION

capacitors of the internal inverting charge pump (see Figure 15)

This charge pump inverts the voltage at V_{DD} and provides a negative output voltage at GATE_BIAS.

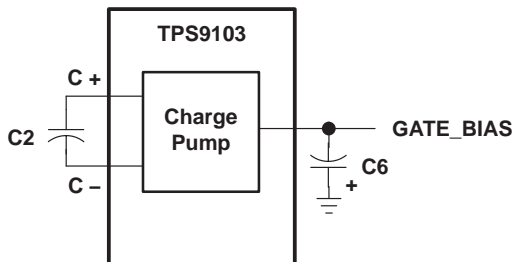


Figure 15. Internal Inverting Charge Pump

The output capacitor C6 limits the voltage ripple at GATE_BIAS:

$$V_{\text{Ripple}} = \frac{I_{O(\text{GATE_BIAS})}}{C6 \times f}$$

With a capacitor C6 of 4.7 μF and an output current of 10 mA, the voltage ripple at GATE_BIAS is 42 mV.

The capacitor C2 can be calculated using an equivalent resistance method:

$$R_{\text{equivalent}} = \frac{1}{C2 \times f}$$

Using 0.33 μF for C2, the equivalent resistance is:

$$R_{\text{equivalent}} = \frac{1}{0.33 \mu\text{F} \times 50 \text{ kHz}} = 60.6 \Omega$$

Add the internal resistance of the switches (35 Ω) to get a total resistance seen by the current:

$$R_{\text{TOTAL}} = 60 + 35 = 95 \Omega$$

With a total resistance of 95 Ω and 10 mA flowing through it, a voltage drop of 0.95 V occurs. With 5 V on V_{DD} , the output is -4.05 V with a 42 mV ripple.

The capacitors should have a low equivalent series resistance (ESR) to maintain low ripple and low noise. Careful layout is required. In most instances it is advisable to add a small decoupling capacitor C5 close to the GATE_BIAS. An additional 0.1- μF capacitor at other locations may be necessary if the power amplifier is located away from the TPS9103.

APPLICATION INFORMATION

dimensioning of the external charge pump

For systems in which the bias voltage requirement is not met by inverting the power rail, the BCLK output can be used (with four passive components) to generate a higher V_{DD} . The higher voltage is then inverted as before to produce the bias voltage. This voltage is also available for other parts of the main circuitry (see Figure 16).

With the TPS9103, an external charge pump could be used to increase the voltage at V_{DD} , thereby deriving a higher negative voltage at GATE_BIAS than would otherwise be available.

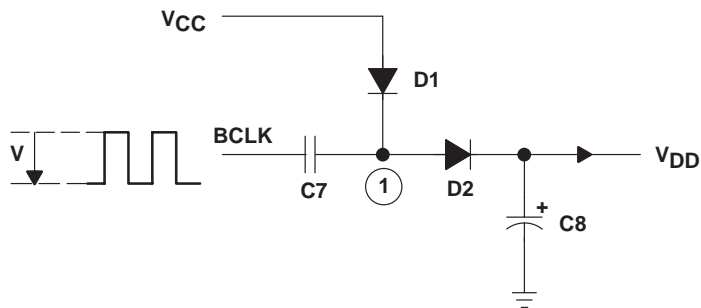


Figure 16. External Charge Pump

When BCLK is low, node 1 charges up to $V_{CC} - V_{diode}$. When BCLK goes high, node 1 is $2 V_{CC} - V_{diode}$. The capacitor C8 charges up to $2 V_{CC} - 2 V_{diode}$. This voltage can then be connected to V_{DD} .

The magnitude of V_{ripple} of V_{DD} is determined by the value of C8. Capacitor value must be large enough that the discharge during one period is not as great as the maximum voltage variation allowable. The discharge of C8 depends on the load current.

$$C8 = \frac{I_{O(GATE_BIAS)}}{V_{ripple} \times f}$$

With a supply voltage of $V_{CC} = 3.3$ V, a maximum voltage variation (V_{ripple}) of 2% = 66 mV and a load of $I_{CC} = 10$ mA, the value of C8 is 3 μ F. A 4.7 μ F meets this requirement.

The capacitance of C7 can be calculated using an equivalent resistance method:

$$R_{equivalent} = \frac{1}{C7 \times f}$$

Using 0.22 μ F for C7, the equivalent resistance is:

$$R_{equivalent} = \frac{1}{0.22 \mu F \times 50 \text{ kHz}} = 90 \Omega$$

Add the equivalent resistance to the internal resistance of the switch (10 Ω):

$$R_{TOTAL} = 90 + 10 = 100 \Omega$$

With a total resistance of 100 Ω and with 10 mA flowing through it, a voltage drop of 1 V occurs. Thus with 3.3 V on V_{CC} the output is 4.2 V with a 42-mV ripple.

Care must be taken that the maximum voltages are not exceeded when using BCLK as a charge pump (see Figure 17).

TPS9103 POWER SUPPLY FOR GaAs POWER AMPLIFIERS

SLVS131A – OCTOBER 1995 – REVISED JULY 1996

APPLICATION INFORMATION

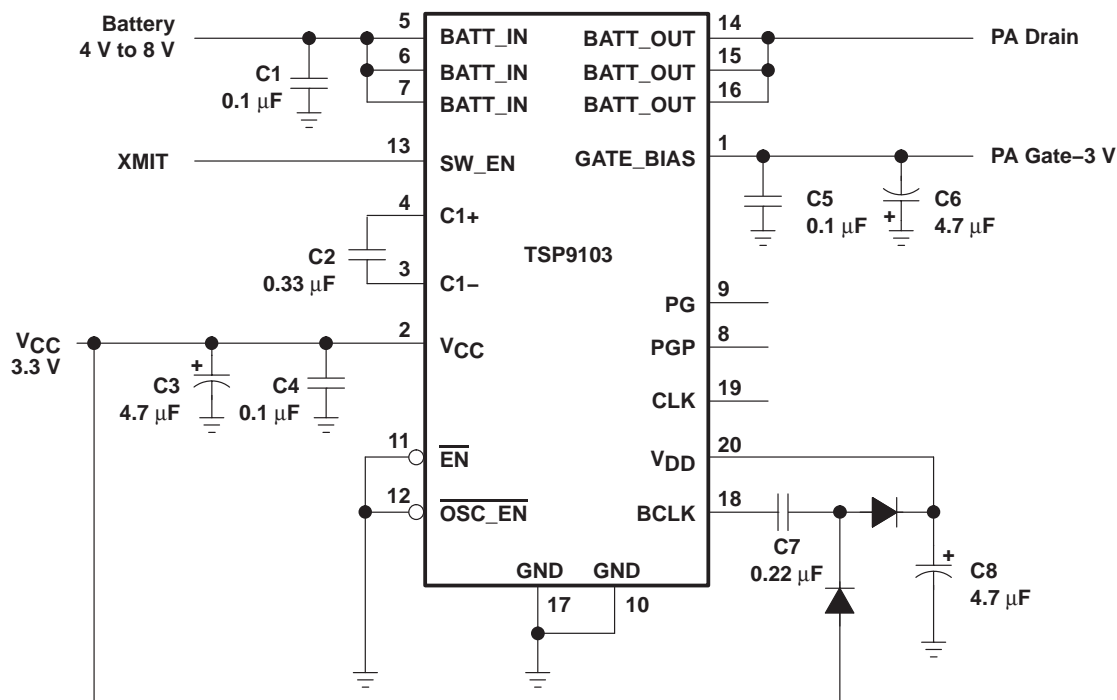


Figure 17. TPS9103 Configured With External Charge Pump

TPS9103 POWER SUPPLY FOR GaAs POWER AMPLIFIERS

SLVS131A – OCTOBER 1995 – REVISED JULY 1996

dimensioning the external voltage divider

Drain voltage should only be applied to the power amplifier when the complete negative voltage from the GATE_BIAS output is provided to the gate of the GaAs power amplifier. For that reason there is an internal voltage divider R/0.6R and a PG comparator in the TPS9103 (see Figure 15). When the voltage at the inverting input of the comparator reaches zero, the output goes high and the high-side MOSFET switches on, provided a SW_EN high signal is applied. For example, when the supply voltage at V_{DD} is 5 V, the high-side switch is switched on when the voltage at GATE_BIAS reaches –3 V.

This trip point can be changed to another value by using an external voltage divider connected between V_{DD}, GATE_BIAS, and PGP. The resistor values should be low enough to minimize the error that is present when the internal resistor values (typ R = 100 kΩ ± 30%) are taken into consideration. Therefore, the external resistor values, R1 and R2, are chosen within the 10-kΩ range.

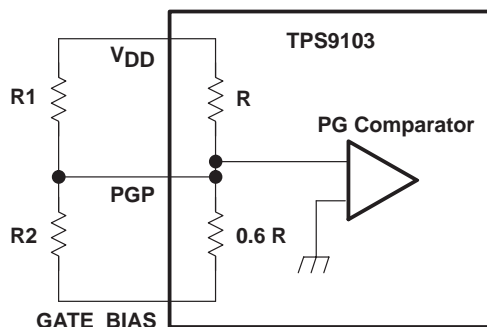


Figure 18. External Voltage Divider for Setting the Trip Point

R1 = 10 kΩ. The value of R2 can then be calculated using:

$$R2 = \frac{-0.6 \times R \times R1 \times V_{\text{trip}}}{0.6 \times V_{\text{DD}} \times [R1 + R] + V_{\text{trip}} \times R1}$$

where V_{DD} = supply voltage, and V_{trip} = chosen value to trip PG comparator.

The values of the internal resistor can vary about 30%, and can move the trip point. In a worst-case condition, with a resistor variation of 30%, the shifting of the trip point can be calculated to:

$$\Delta V_{\text{trip_point}} = V_{\text{DD}} \times \left(\frac{R1 + 1.3 \times R}{R1} \times \frac{0.6 \times R2}{R2 + 0.78 \times R} - \frac{R1 + R}{R1} \times \frac{0.6 \times R2}{R2 + 0.6 \times R} \right)$$

TPS9103 POWER SUPPLY FOR GaAs POWER AMPLIFIERS

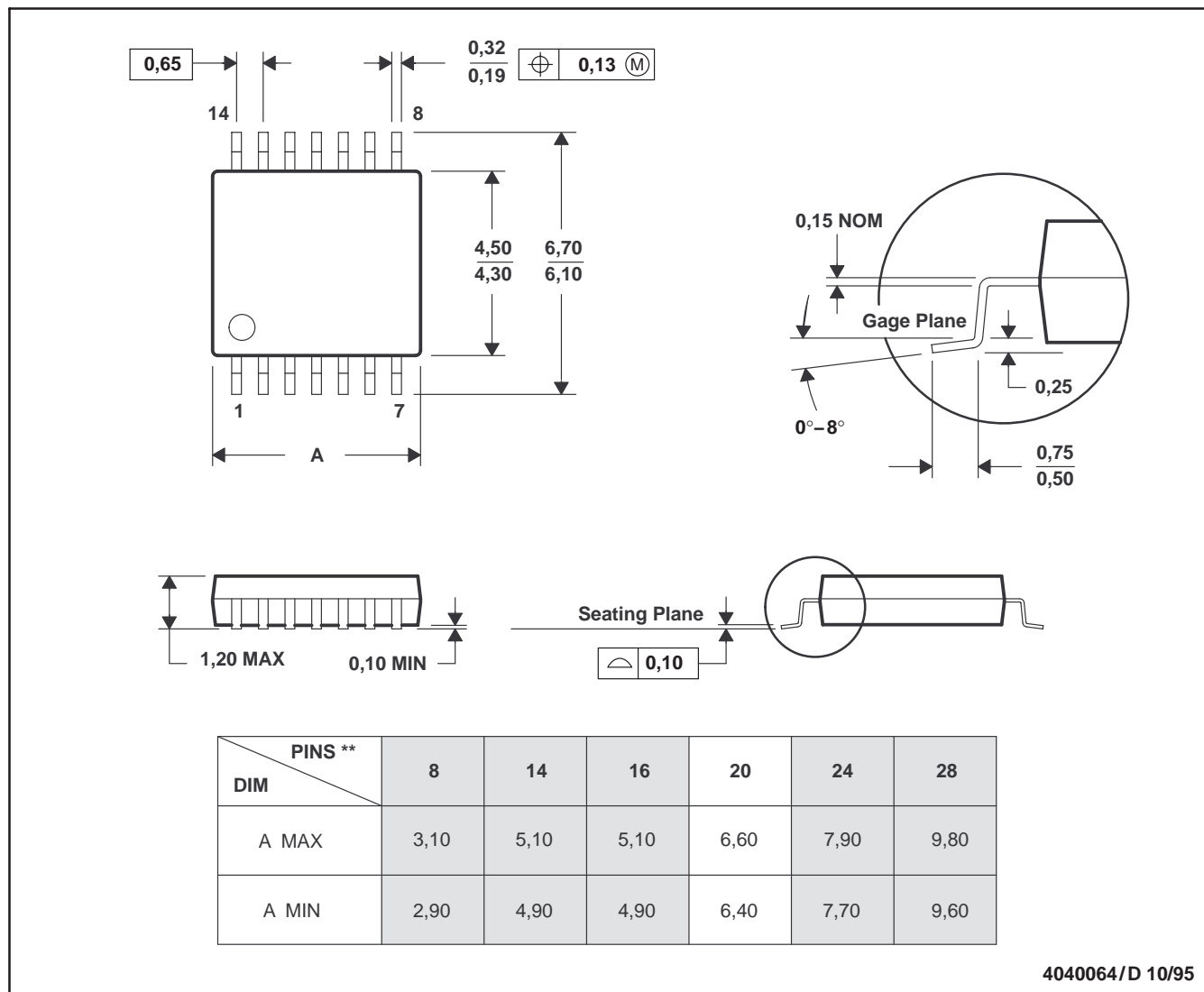
SLVS131A – OCTOBER 1995 – REVISED JULY 1996

MECHANICAL DATA

PW (R-PDSO-G)**

PLASTIC SMALL-OUTLINE PACKAGE

14 PIN SHOWN



- NOTES: A. All linear dimensions are in millimeters.
 B. This drawing is subject to change without notice.
 C. Body dimensions do not include mold flash or protrusion not to exceed 0,15.
 D. Falls within JEDEC MO-153

IMPORTANT NOTICE

Texas Instruments Incorporated and its subsidiaries (TI) reserve the right to make corrections, modifications, enhancements, improvements, and other changes to its products and services at any time and to discontinue any product or service without notice. Customers should obtain the latest relevant information before placing orders and should verify that such information is current and complete. All products are sold subject to TI's terms and conditions of sale supplied at the time of order acknowledgment.

TI warrants performance of its hardware products to the specifications applicable at the time of sale in accordance with TI's standard warranty. Testing and other quality control techniques are used to the extent TI deems necessary to support this warranty. Except where mandated by government requirements, testing of all parameters of each product is not necessarily performed.

TI assumes no liability for applications assistance or customer product design. Customers are responsible for their products and applications using TI components. To minimize the risks associated with customer products and applications, customers should provide adequate design and operating safeguards.

TI does not warrant or represent that any license, either express or implied, is granted under any TI patent right, copyright, mask work right, or other TI intellectual property right relating to any combination, machine, or process in which TI products or services are used. Information published by TI regarding third-party products or services does not constitute a license from TI to use such products or services or a warranty or endorsement thereof. Use of such information may require a license from a third party under the patents or other intellectual property of the third party, or a license from TI under the patents or other intellectual property of TI.

Reproduction of TI information in TI data books or data sheets is permissible only if reproduction is without alteration and is accompanied by all associated warranties, conditions, limitations, and notices. Reproduction of this information with alteration is an unfair and deceptive business practice. TI is not responsible or liable for such altered documentation. Information of third parties may be subject to additional restrictions.

Resale of TI products or services with statements different from or beyond the parameters stated by TI for that product or service voids all express and any implied warranties for the associated TI product or service and is an unfair and deceptive business practice. TI is not responsible or liable for any such statements.

TI products are not authorized for use in safety-critical applications (such as life support) where a failure of the TI product would reasonably be expected to cause severe personal injury or death, unless officers of the parties have executed an agreement specifically governing such use. Buyers represent that they have all necessary expertise in the safety and regulatory ramifications of their applications, and acknowledge and agree that they are solely responsible for all legal, regulatory and safety-related requirements concerning their products and any use of TI products in such safety-critical applications, notwithstanding any applications-related information or support that may be provided by TI. Further, Buyers must fully indemnify TI and its representatives against any damages arising out of the use of TI products in such safety-critical applications.

TI products are neither designed nor intended for use in military/aerospace applications or environments unless the TI products are specifically designated by TI as military-grade or "enhanced plastic." Only products designated by TI as military-grade meet military specifications. Buyers acknowledge and agree that any such use of TI products which TI has not designated as military-grade is solely at the Buyer's risk, and that they are solely responsible for compliance with all legal and regulatory requirements in connection with such use.

TI products are neither designed nor intended for use in automotive applications or environments unless the specific TI products are designated by TI as compliant with ISO/TS 16949 requirements. Buyers acknowledge and agree that, if they use any non-designated products in automotive applications, TI will not be responsible for any failure to meet such requirements.

Following are URLs where you can obtain information on other Texas Instruments products and application solutions:

Products

Amplifiers	amplifier.ti.com
Data Converters	dataconverter.ti.com
DLP® Products	www.dlp.com
DSP	dsp.ti.com
Clocks and Timers	www.ti.com/clocks
Interface	interface.ti.com
Logic	logic.ti.com
Power Mgmt	power.ti.com
Microcontrollers	microcontroller.ti.com
RFID	www.ti-rfid.com
RF/IF and ZigBee® Solutions	www.ti.com/lprf

Applications

Audio	www.ti.com/audio
Automotive	www.ti.com/automotive
Broadband	www.ti.com/broadband
Digital Control	www.ti.com/digitalcontrol
Medical	www.ti.com/medical
Military	www.ti.com/military
Optical Networking	www.ti.com/opticalnetwork
Security	www.ti.com/security
Telephony	www.ti.com/telephony
Video & Imaging	www.ti.com/video
Wireless	www.ti.com/wireless

Mailing Address: Texas Instruments, Post Office Box 655303, Dallas, Texas 75265
Copyright © 2009, Texas Instruments Incorporated