

Window Comparator for Over- and Undervoltage Detection

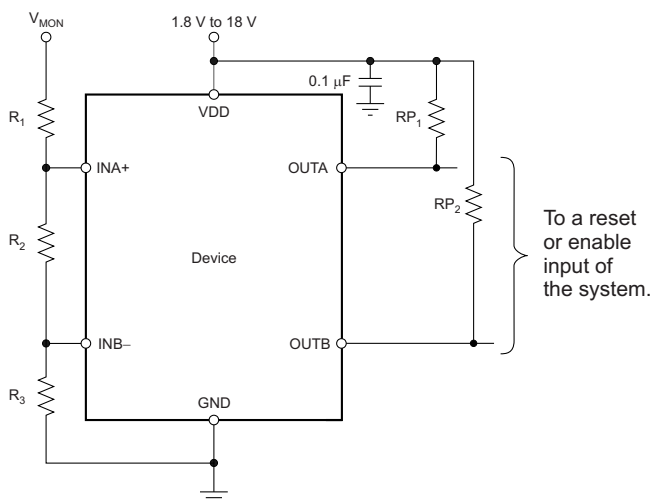
Check for Samples: [TPS3700](#)

FEATURES

- **Wide Supply Voltage Range: 1.8 V to 18 V**
- **Adjustable Threshold: Down to 400 mV**
- **Open-Drain Outputs for Over- and Undervoltage Detection**
- **Low Quiescent Current: 5.5 μA (typ)**
- **High Threshold Accuracy:**
 - 1.0% Over Temperature
 - 0.25% (typ)
- **Internal Hysteresis: 5.5 mV (typ)**
- **Temperature Range: -40°C to $+125^{\circ}\text{C}$**
- **Available in a ThinSOT23-6 Package**

APPLICATIONS

- **Industrial Control Systems**
- **Automotive Systems**
- **Embedded Computing Modules**
- **DSP, Microcontroller, or Microprocessor Applications**
- **Notebook and Desktop Computers**
- **Portable- and Battery-Powered Products**
- **FPGA and ASIC Applications**

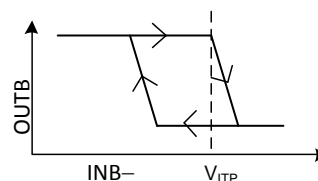
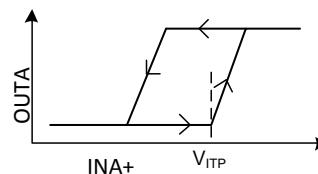
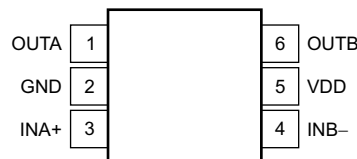

Figure 1. TPS3700 Typical Application

DESCRIPTION

The TPS3700 wide-supply voltage window comparator operates over a 1.8-V to 18-V range. The device has two high-accuracy comparators with an internal 400-mV reference and two open-drain outputs rated to 18 V for over- and undervoltage detection. The TPS3700 can be used as a window comparator or as two independent voltage monitors; the monitored voltage can be set with the use of external resistors.

OUTA is driven low when the voltage at INA+ drops below $(V_{ITP} - V_{HYS})$, and goes high when the voltage returns above the respective threshold (V_{ITP}) . OUTB is driven low when the voltage at INB- rises above V_{ITP} , and goes high when the voltage drops below the respective threshold $(V_{ITP} - V_{HYS})$. Both comparators in the TPS3700 include built-in hysteresis for filtering to reject brief glitches, thereby ensuring stable output operation without false triggering.

The TPS3700 is available in a ThinSOT23-6 package and is specified over the junction temperature range of -40°C to $+125^{\circ}\text{C}$.


**DDC PACKAGE
ThinSOT23-6
(TOP VIEW)**


Please be aware that an important notice concerning availability, standard warranty, and use in critical applications of Texas Instruments semiconductor products and disclaimers thereto appears at the end of this data sheet.

All trademarks are the property of their respective owners.



This integrated circuit can be damaged by ESD. Texas Instruments recommends that all integrated circuits be handled with appropriate precautions. Failure to observe proper handling and installation procedures can cause damage.

ESD damage can range from subtle performance degradation to complete device failure. Precision integrated circuits may be more susceptible to damage because very small parametric changes could cause the device not to meet its published specifications.

ORDERING INFORMATION⁽¹⁾

| PRODUCT | DESCRIPTION |
|-------------|--|
| TPS3700yyyz | yyy is package designator z is package quantity |

(1) For the most current package and ordering information see the Package Option Addendum at the end of this document, or visit the device product folder at www.ti.com.

ABSOLUTE MAXIMUM RATINGS⁽¹⁾

Over operating free-air temperature range, unless otherwise noted.

| | | VALUE | | UNIT |
|---|---------------------------------------|-------|------|------|
| | | MIN | MAX | |
| Voltage ⁽²⁾ | VDD | -0.3 | +20 | V |
| | V _{OUTA} , V _{OUTB} | -0.3 | +20 | V |
| | V _{INA+} , V _{INB-} | -0.3 | +7 | V |
| Current | Output pin current | | 40 | mA |
| Temperature | Operating junction, T _J | -40 | +125 | °C |
| | Storage, T _{stg} | -65 | +150 | °C |
| Electrostatic discharge (ESD) rating ⁽³⁾ | Human body model (HBM) | | 2 | kV |
| | Charge device model (CDM) | | 500 | V |

(1) Stresses beyond those listed under *absolute maximum ratings* may cause permanent damage to the device. These are stress ratings only, and functional operation of the device at these or any other conditions beyond those indicated under *recommended operating conditions* is not implied. Exposure to absolute-maximum-rated conditions for extended periods may affect device reliability.

(2) All voltages are with respect to network ground terminal.

(3) ESD testing is performed according to the respective JEDEC standard.

THERMAL INFORMATION

| THERMAL METRIC ⁽¹⁾ | | TPS3700 | UNITS |
|-------------------------------|--|-------------|-------|
| | | DDC (SOT23) | |
| | | 6 PINS | |
| θ_{JA} | Junction-to-ambient thermal resistance | 204.6 | °C/W |
| θ_{JCTop} | Junction-to-case (top) thermal resistance | 50.5 | |
| θ_{JB} | Junction-to-board thermal resistance | 54.3 | |
| ψ_{JT} | Junction-to-top characterization parameter | 0.8 | |
| ψ_{JB} | Junction-to-board characterization parameter | 52.8 | |
| θ_{JCbott} | Junction-to-case (bottom) thermal resistance | N/A | |

(1) For more information about traditional and new thermal metrics, see the *IC Package Thermal Metrics* application report, [SPRA953](http://www.ti.com).

ELECTRICAL CHARACTERISTICS

Over the operating temperature range of $T_J = -40^{\circ}\text{C}$ to $+125^{\circ}\text{C}$, and $1.8\text{ V} < V_{DD} < 18\text{ V}$, unless otherwise noted. Typical values are at $T_J = +25^{\circ}\text{C}$ and $V_{DD} = 5\text{ V}$.

| PARAMETER | | TEST CONDITIONS | MIN | TYP | MAX | UNIT |
|---------------|--|--|-----|-------|-----|---------------|
| V_{DD} | Supply voltage range | | 1.8 | | 18 | V |
| $V_{(POR)}$ | Power-on reset voltage ⁽¹⁾ | $V_{OL}(\text{max}) = 0.2\text{ V}$, $I_{(OUT)} = 15\ \mu\text{A}$ | | | 0.8 | V |
| V_{ITP} | Positive-going input threshold voltage | $V_{DD} = 1.8\text{ V}$ | 396 | 400 | 404 | mV |
| | | $V_{DD} = 18\text{ V}$ | 396 | 400 | 404 | mV |
| V_{ITN} | Negative-going input threshold voltage | $V_{DD} = 1.8\text{ V}$ | 387 | 394.5 | 400 | mV |
| | | $V_{DD} = 18\text{ V}$ | 387 | 394.5 | 400 | mV |
| V_{HYS} | Hysteresis voltage ($HYS = V_{ITP} - V_{ITN}$) | | | 5.5 | 12 | mV |
| I_{IN} | Input current (at IN pin) | $V_{DD} = 1.8\text{ V}$ and 18 V , $V_{IN} = 6.5\text{ V}$ | -25 | 1 | 25 | nA |
| | | $V_{DD} = 1.8\text{ V}$ and 18 V , $V_{IN} = 0.1\text{ V}$ | -15 | 1 | 15 | nA |
| V_{OL} | Low-level output voltage | $V_{DD} = 1.3\text{ V}$, $I_{OUT} = 0.4\text{ mA}$ | | | 250 | mV |
| | | $V_{DD} = 1.8\text{ V}$, $I_{OUT} = 3\text{ mA}$ | | | 250 | mV |
| | | $V_{DD} = 5\text{ V}$, $I_{OUT} = 5\text{ mA}$ | | | 250 | mV |
| $I_{lkg(OD)}$ | Open-drain output leakage current | $V_{DD} = 1.8\text{ V}$ and 18 V , $V_{OUT} = V_{DD}$ | | | 300 | nA |
| | | $V_{DD} = 1.8\text{ V}$, $V_{OUT} = 18\text{ V}$ | | | 300 | nA |
| $t_{pd(HL)}$ | High-to-low propagation delay ⁽²⁾ | $V_{DD} = 5\text{ V}$, 10-mV input overdrive, $R_L = 10\text{ k}\Omega$, $V_{OH} = 0.9 \times V_{DD}$, $V_{OL} = 400\text{ mV}$ | | 18 | | μs |
| $t_{pd(LH)}$ | Low-to-high propagation delay ⁽²⁾ | $V_{DD} = 5\text{ V}$, 10-mV input overdrive, $R_L = 10\text{ k}\Omega$, $V_{OH} = 0.9 \times V_{DD}$, $V_{OL} = 400\text{ mV}$ | | 29 | | μs |
| t_R | Output rise time | $V_{DD} = 5\text{ V}$, 10-mV input overdrive, $R_L = 10\text{ k}\Omega$, $V_O = (0.1\text{ to }0.9) \times V_{DD}$ | | 2.2 | | μs |
| t_F | Output fall time | $V_{DD} = 5\text{ V}$, 10-mV input overdrive, $R_L = 10\text{ k}\Omega$, $V_O = (0.1\text{ to }0.9) \times V_{DD}$ | | 0.22 | | μs |
| I_{DD} | Supply current | $V_{DD} = 1.8\text{ V}$, no load | | 5.5 | 11 | μA |
| | | $V_{DD} = 5\text{ V}$ | | 6 | 13 | μA |
| | | $V_{DD} = 12\text{ V}$ | | 6 | 13 | μA |
| | | $V_{DD} = 18\text{ V}$ | | 7 | 13 | μA |
| | Startup delay ⁽³⁾ | | | 150 | | μs |
| UVLO | Undervoltage lockout ⁽⁴⁾ | V_{DD} falling | 1.3 | | 1.7 | V |

(1) The lowest supply voltage (V_{DD}) at which output is active; $t_{r(VDD)} > 15\ \mu\text{s/V}$. Below $V_{(POR)}$, the output cannot be determined.

(2) High-to-low and low-to-high refers to the transition at the input pins (INA+ and INB-).

(3) During power on, V_{DD} must exceed 1.8 V for at least 150 μs before the output is in a correct state.

(4) When V_{DD} falls below UVLO, OUTA is driven low and OUTB goes to high impedance. The outputs cannot be determined below $V_{(POR)}$.

PARAMETRIC MEASUREMENT INFORMATION

TIMING DIAGRAM

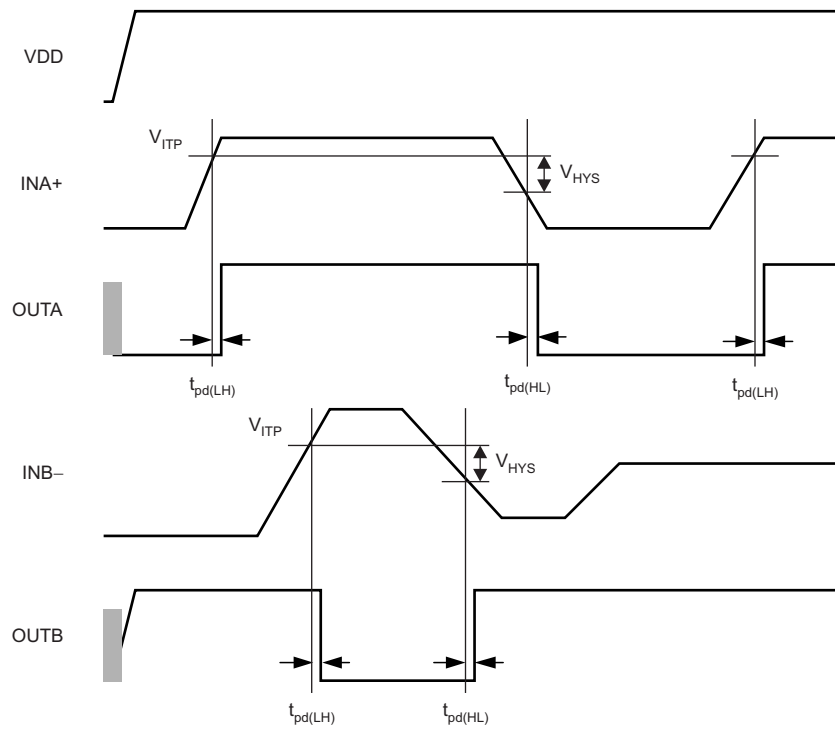
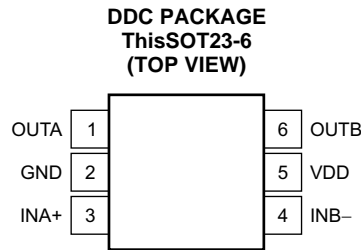


Figure 2. TPS3700 Timing Diagram

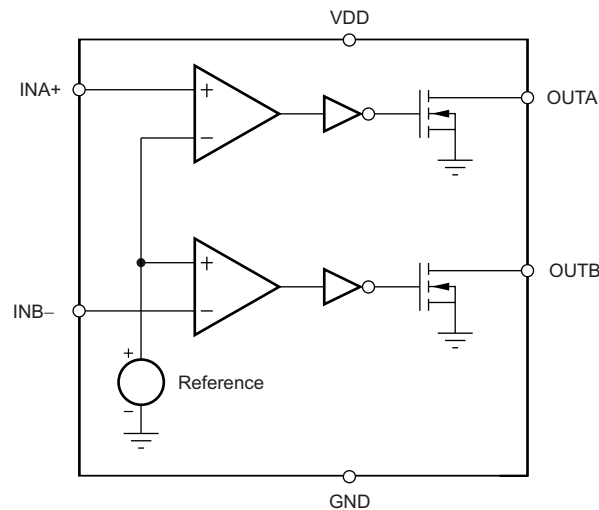
PIN CONFIGURATIONS



PIN ASSIGNMENTS

| PIN NAME | PIN NO. | DESCRIPTION |
|----------|---------|---|
| GND | 2 | Ground |
| INA+ | 3 | This pin is connected to the voltage to be monitored with the use of an external resistor divider. When the voltage at this terminal drops below the threshold voltage ($V_{ITP} - V_{HYS}$), OUTA is driven low. |
| INB- | 4 | This pin is connected to the voltage to be monitored with the use of an external resistor divider. When the voltage at this terminal exceeds the threshold voltage (V_{ITP}), OUTB is driven low. |
| OUTA | 1 | INA+ comparator open-drain output. OUTA is driven low when the voltage at this comparator is below ($V_{ITP} - V_{HYS}$). The output goes high when the sense voltage returns above the respective threshold (V_{ITP}). |
| OUTB | 6 | INB- comparator open-drain output. OUTB is driven low when the voltage at this comparator exceeds V_{ITP} . The output goes high when the sense voltage returns below the respective threshold ($V_{ITP} - V_{HYS}$). |
| VDD | 5 | Supply voltage input. Connect a 1.8-V to 18-V supply to VDD to power the device. It is good analog design practice to place a 0.1- μ F ceramic capacitor close to this pin. |

BLOCK DIAGRAM



TYPICAL CHARACTERISTICS

At $T_J = +25^\circ\text{C}$ and $V_{CC} = 5\text{ V}$, unless otherwise noted.

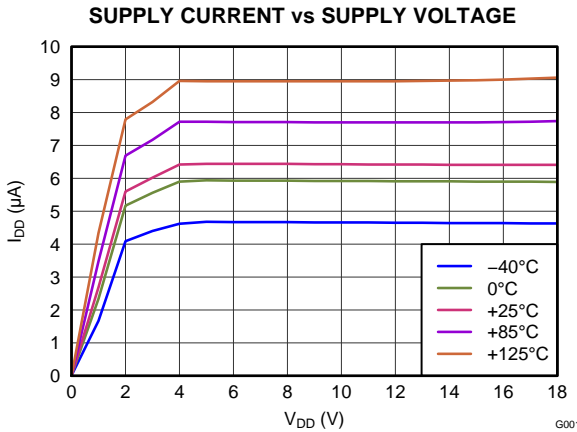


Figure 3.

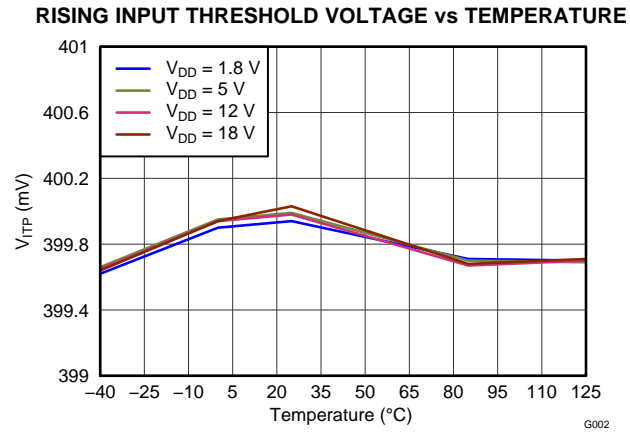


Figure 4.

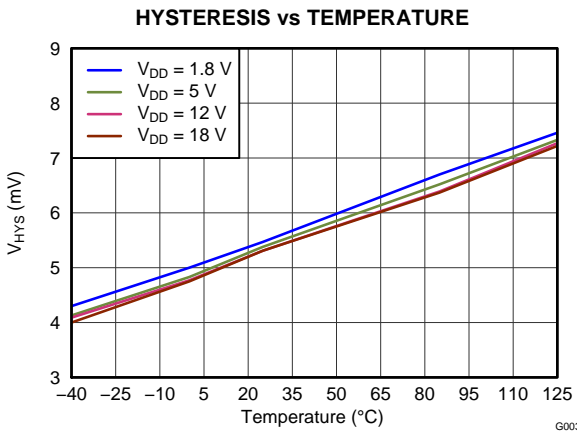


Figure 5.

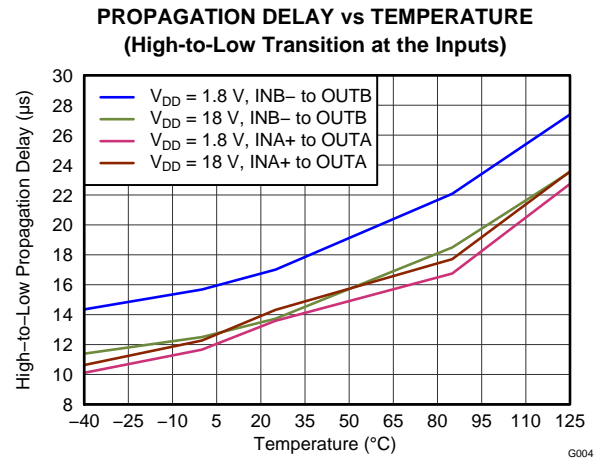


Figure 6.

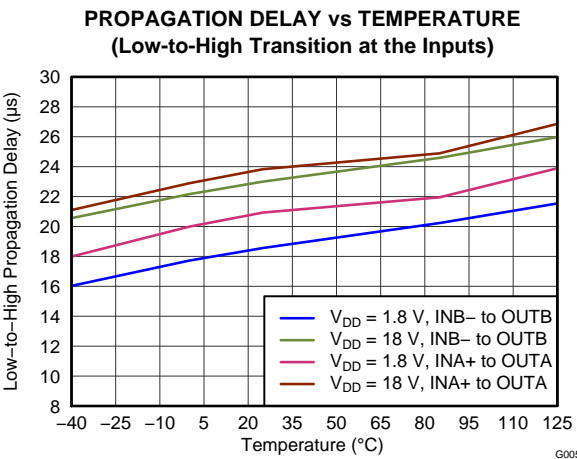


Figure 7.

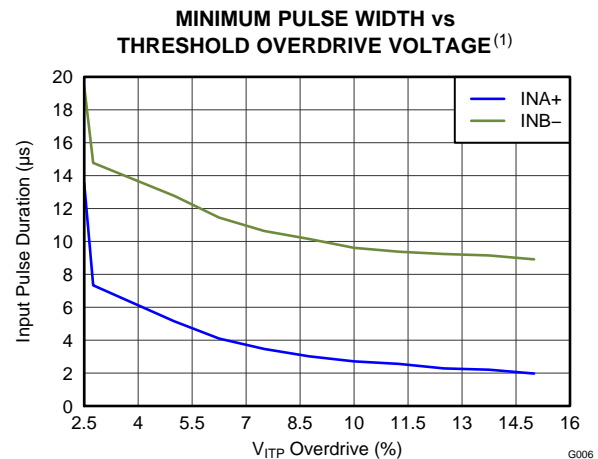


Figure 8.

(1) INA+ = negative spike below V_{ITN} and INB- = positive spike above V_{ITP} .

TYPICAL CHARACTERISTICS (continued)

At $T_J = +25^\circ\text{C}$ and $V_{CC} = 5\text{ V}$, unless otherwise noted.

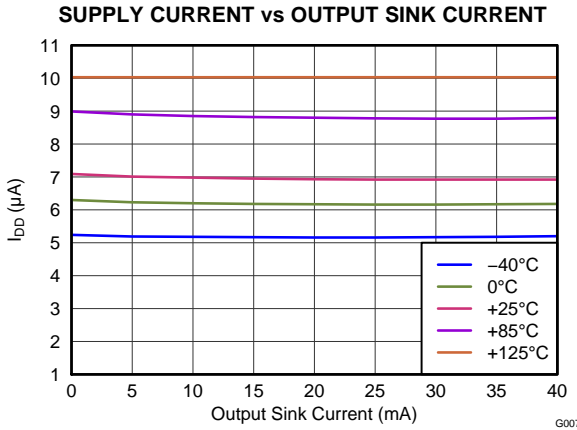


Figure 9.

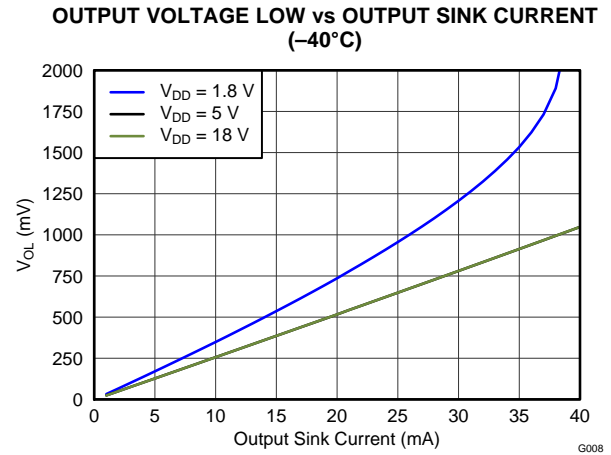


Figure 10.

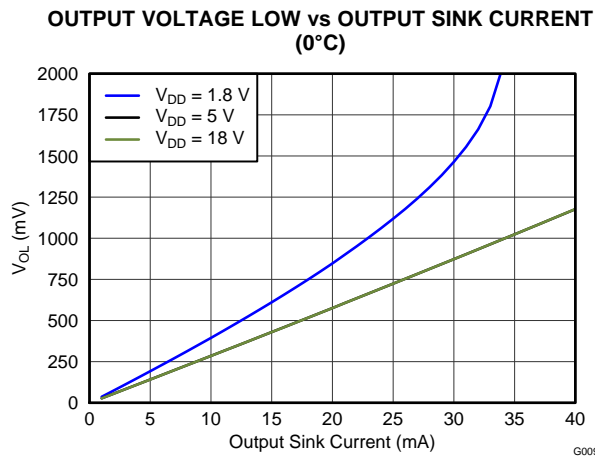


Figure 11.

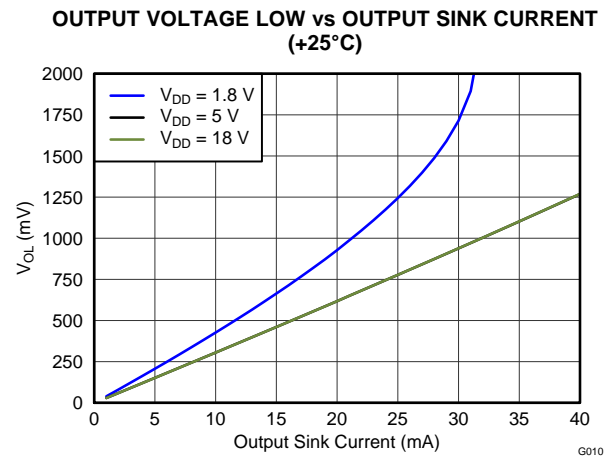


Figure 12.

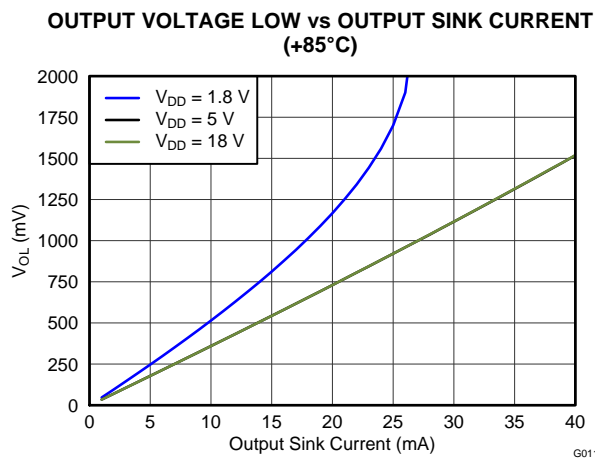


Figure 13.

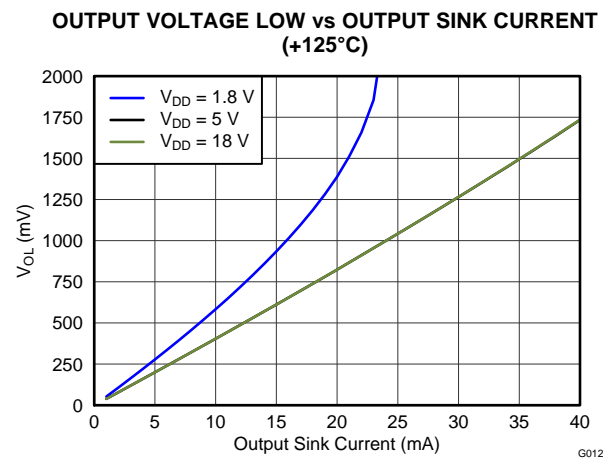


Figure 14.

TYPICAL CHARACTERISTICS (continued)

At $T_J = +25^\circ\text{C}$ and $V_{CC} = 5\text{ V}$, unless otherwise noted.

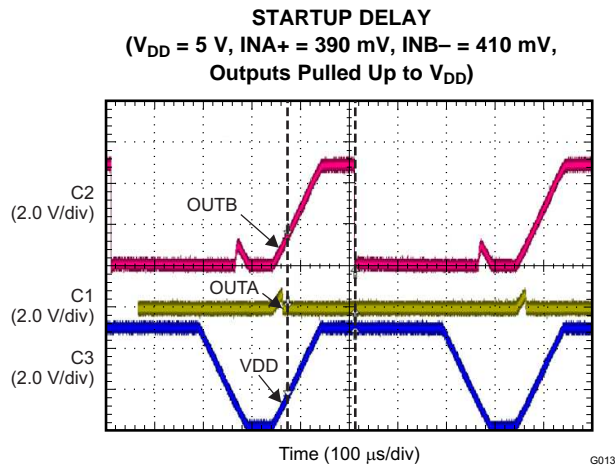


Figure 15.

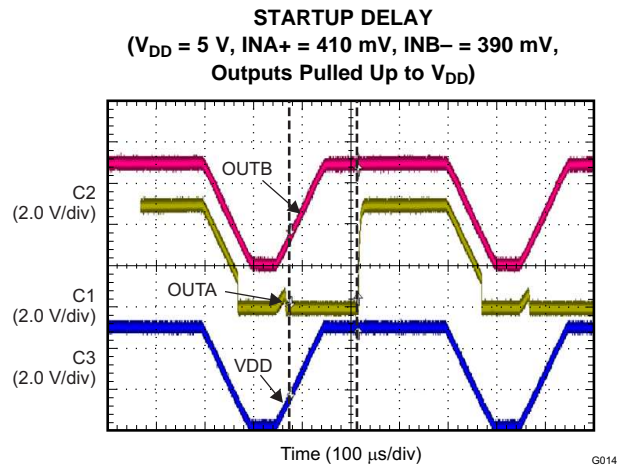


Figure 16.

GENERAL DESCRIPTION

The TPS3700 combines two comparators for over- and undervoltage detection. The TPS3700 is a wide-supply voltage range (1.8 V to 18 V) device with a high-accuracy rising input threshold of 400 mV (1% over temperature) and built-in hysteresis. The outputs are also rated to 18 V and can sink up to 40 mA.

The TPS3700 is designed to assert the output signals, as shown in [Table 1](#). Each input pin can be set to monitor any voltage above 0.4 V using an external resistor divider network. With the use of two input pins of different polarities, the TPS3700 forms a window comparator. Broad voltage thresholds can be supported that allow the device to be used in a wide array of applications.

Table 1. TPS3700 Truth Table

| CONDITION | OUTPUT | STATUS |
|------------------|-----------|-----------------------|
| $INA+ > V_{ITP}$ | OUTA high | Output A not asserted |
| $INA+ < V_{ITN}$ | OUTA low | Output A asserted |
| $INB- > V_{ITP}$ | OUTB low | Output B asserted |
| $INB- < V_{ITN}$ | OUTB high | Output B not asserted |

INPUTS (INA+, INB-)

The TPS3700 combines two comparators. Each comparator has one external input (inverting and noninverting); the other input is connected to the internal reference. The comparator rising threshold is designed and trimmed to be equal to the reference voltage (400 mV). Both comparators also have a built-in falling hysteresis that makes the device immune to supply rail noise and ensures stable operation.

The comparator inputs can swing from ground to 6.5 V, regardless of the device supply voltage used. Although not required in most cases, it is good analog design practice to place a 1-nF to 10-nF bypass capacitor at the comparator input for extremely noisy applications in order to reduce sensitivity to transients and layout parasitics.

For comparator A, the corresponding output (OUTA) is driven to logic low when the input INA+ voltage drops below ($V_{ITP} - V_{HYS}$). When the voltage exceeds V_{ITP} , the output (OUTA) goes to a high-impedance state; see [Figure 2](#).

For comparator B, the corresponding output (OUTB) is driven to logic low when the voltage at input INB- exceeds V_{ITP} . When the voltage drops below $V_{ITP} - V_{HYS}$ the output (OUTB) goes to a high-impedance state; see [Figure 2](#). Together, these comparators form a window-detection function as discussed in the [Window Comparator](#) section.

OUTPUTS (OUTA, OUTB)

In a typical TPS3700 application, the outputs are connected to a reset or enable input of the processor [such as a digital signal processor (DSP), central processing unit (CPU), field-programmable gate array (FPGA), or application-specific integrated circuit (ASIC)] or the outputs are connected to the enable input of a voltage regulator [such as a dc-dc or low-dropout regulator (LDO)].

The TPS3700 provides two open-drain outputs (OUTA and OUTB); pull-up resistors must be used to hold these lines high when the output goes to high impedance (not asserted). By connecting pull-up resistors to the proper voltage rails, the outputs can be connected to other devices at correct interface voltage levels. The TPS3700 outputs can be pulled up to 18 V, independent of the device supply voltage. To ensure proper voltage levels, some thought should be given while choosing the pull-up resistor values. The pull-up resistor value is determined by V_{OL} , sink current capability, and output leakage current ($I_{IKG(OD)}$). These values are specified in the [Electrical Characteristics](#) table. By using wired-AND logic, OUTA and OUTB can be merged into one logic signal.

[Table 1](#) and the [Inputs](#) section describe how the outputs are asserted or de-asserted. Refer to [Figure 2](#) for a timing diagram that describes the relationship between threshold voltages and the respective output.

WINDOW COMPARATOR

The inverting and noninverting configuration of the comparators forms a window-comparator detection circuit using a resistor divider network, as shown in Figure 17 and Figure 18. The input pins can monitor any system voltage above 400 mV with the use of a resistor divider network. INA+ and INB– monitor for undervoltage and overvoltage conditions, respectively.

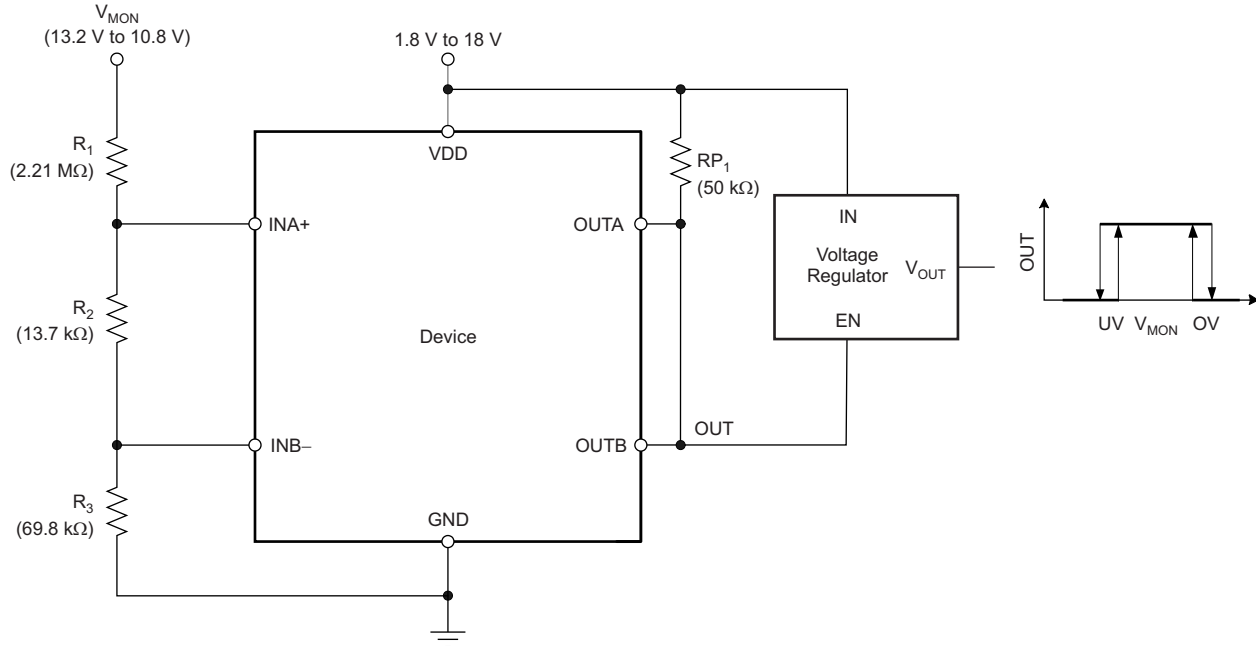


Figure 17. Window Comparator Block Diagram

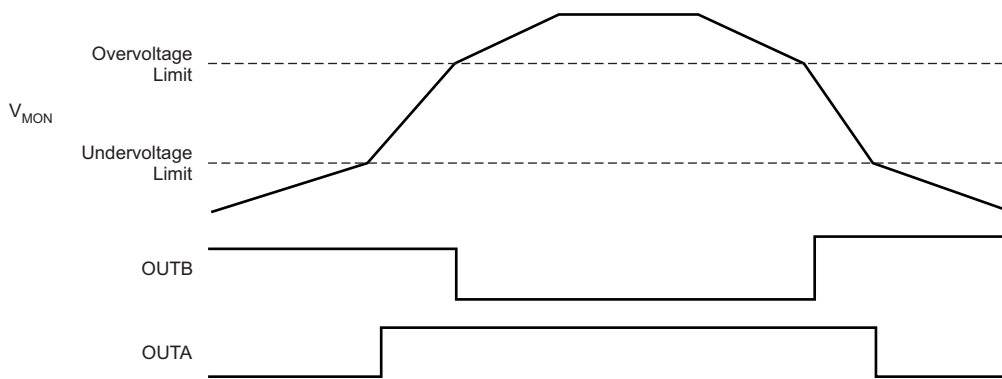


Figure 18. Window Comparator Timing Diagram

The resistor divider values and target threshold voltage can be calculated by using [Equation 1](#) through [Equation 4](#):

$$R_{\text{TOTAL}} = R_1 + R_2 + R_3 \quad (1)$$

Choose R_{TOTAL} such that current through the divider is approximately 100x higher than the input current at the INA+ and INB– pins. The resistors can have high values to minimize current consumption as a result of low input bias current without adding significant error to the resistive divider. Refer to application note [Optimizing Resistor Dividers at a Comparator Input \(SLVA450\)](#) for details on sizing input resistors.

R_3 is determined by [Equation 2](#):

$$R_3 = \frac{R_{\text{TOTAL}}}{V_{\text{MON(OV)}}} \times V_{\text{ITP}}$$

where:

$$V_{\text{MON(OV)}} \text{ is the target voltage at which an overvoltage condition is detected} \quad (2)$$

R_2 is determined by either [Equation 3](#) or [Equation 4](#):

$$R_2 = \left[\frac{R_{\text{TOTAL}}}{V_{\text{MON(no UV)}}} \times V_{\text{ITP}} \right] - R_3$$

where:

$$V_{\text{MON(no UV)}} \text{ is the target voltage at which an undervoltage condition is removed as } V_{\text{MON}} \text{ rises} \quad (3)$$

$$R_2 = \left[\frac{R_{\text{TOTAL}}}{V_{\text{MON(UV)}}} \times (V_{\text{ITP}} - V_{\text{HYS}}) \right] - R_3$$

where:

$$V_{\text{MON(UV)}} \text{ is the target voltage at which an undervoltage condition is detected} \quad (4)$$

For more application information on the TPS3700, refer to [Figure 19](#) through [Figure 22](#).

IMMUNITY TO INPUT PIN VOLTAGE TRANSIENTS

The TPS3700 is relatively immune to short voltage transient spikes on the input pins. Sensitivity to transients is dependent on both transient duration and amplitude; refer to the Typical Characteristics curve, *Minimum Pulse Width vs Threshold Overdrive Voltage* ([Figure 8](#)).

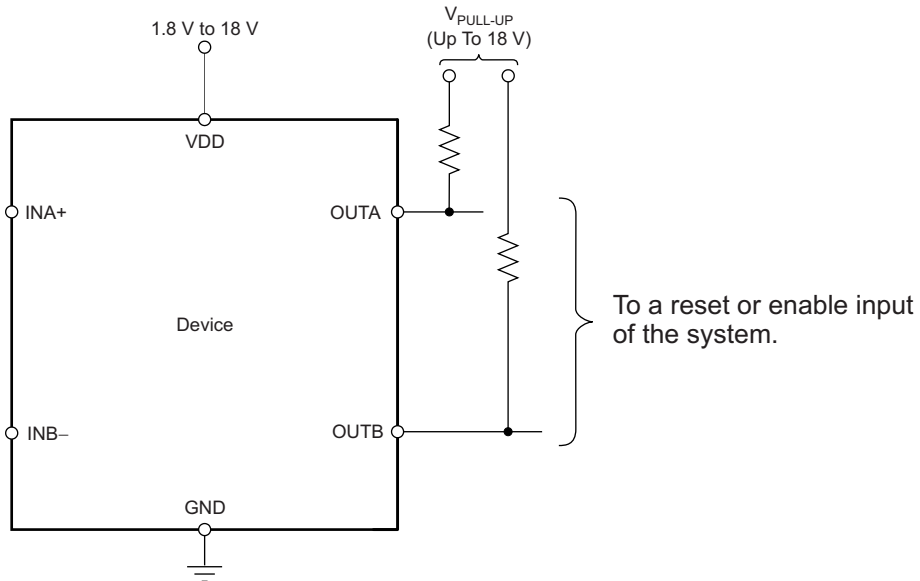


Figure 19. Interfacing to Voltages Other Than V_{DD}

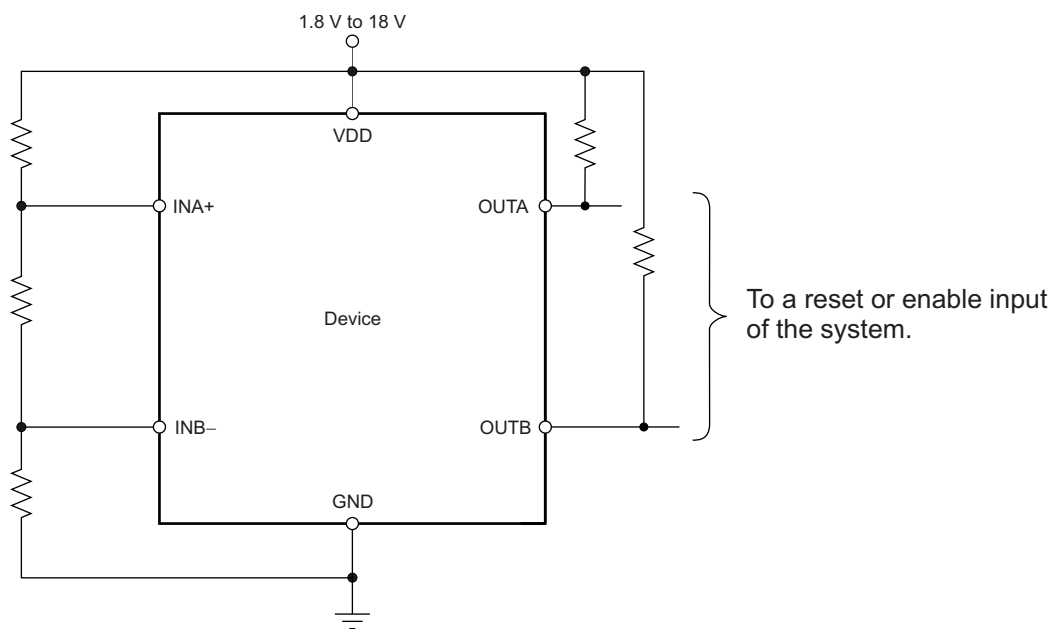
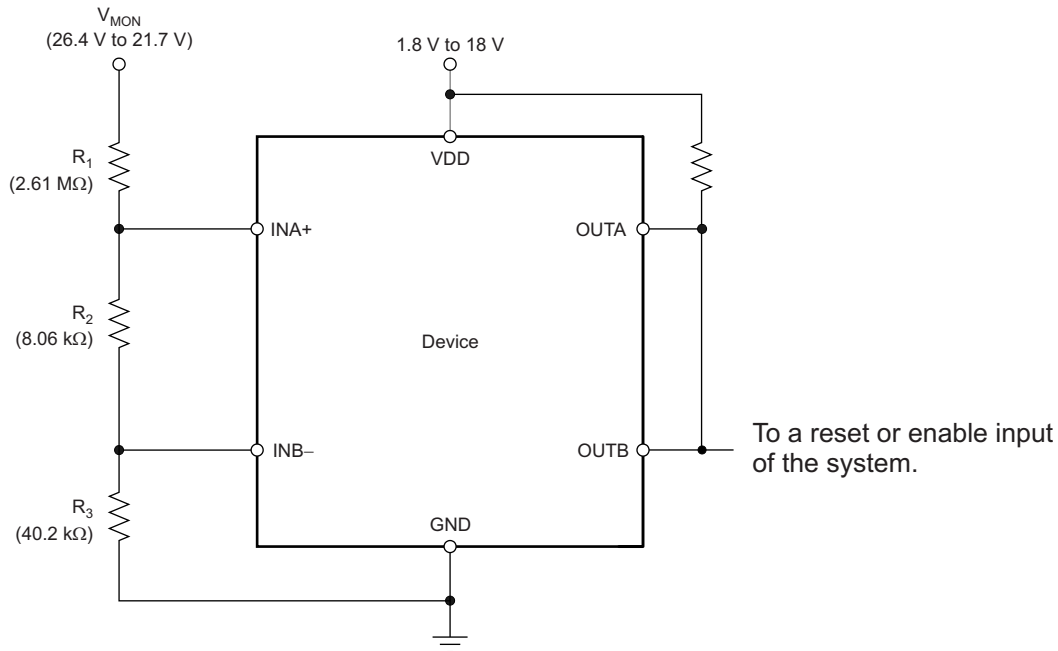
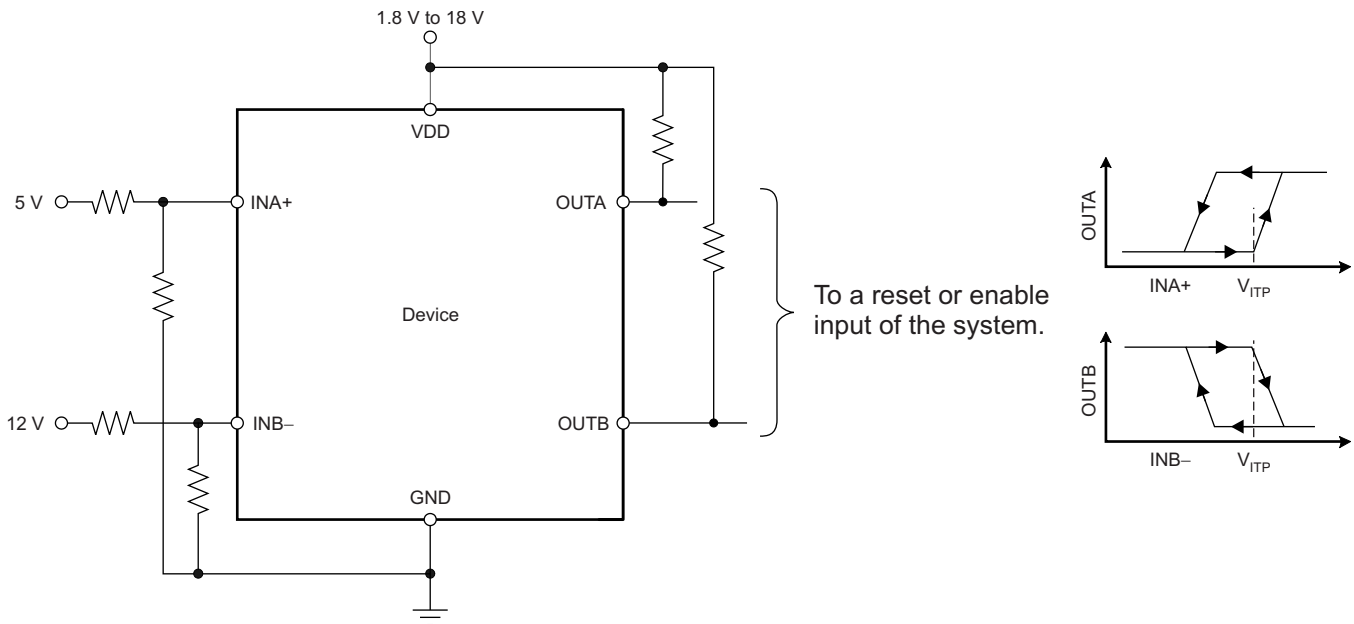


Figure 20. Monitoring the Same Voltage as V_{DD}



NOTE: The inputs can monitor a voltage higher than V_{DD} (max) with the use of an external resistor divider network.

Figure 21. Monitoring a Voltage Other Than V_{DD}



NOTE: In this case, OUTA is driven low when an undervoltage condition is detected at the 5-V rail and OUTB is driven low when an overvoltage condition is detected at the 12-V rail.

Figure 22. Monitoring Overvoltage for One Rail and Undervoltage for a Different Rail

REVISION HISTORY

NOTE: Page numbers for previous revisions may differ from page numbers in the current version.

| Changes from Revision A (February 2012) to Revision B | Page |
|---|------|
| • Moved to Production Data | 1 |

PACKAGING INFORMATION

| Orderable Device | Status ⁽¹⁾ | Package Type | Package Drawing | Pins | Package Qty | Eco Plan ⁽²⁾ | Lead/ Ball Finish | MSL Peak Temp ⁽³⁾ | Samples (Requires Login) |
|------------------|-----------------------|--------------|-----------------|------|-------------|----------------------------|----------------------|------------------------------|-----------------------------|
| TPS3700DDCR | ACTIVE | SOT | DDC | 6 | 3000 | Green (RoHS & no Sb/Br) | CU NIPDAU | Level-2-260C-1 YEAR | |
| TPS3700DDCT | ACTIVE | SOT | DDC | 6 | 250 | Green (RoHS & no Sb/Br) | CU NIPDAU | Level-2-260C-1 YEAR | |

⁽¹⁾ The marketing status values are defined as follows:

ACTIVE: Product device recommended for new designs.

LIFEBUY: TI has announced that the device will be discontinued, and a lifetime-buy period is in effect.

NRND: Not recommended for new designs. Device is in production to support existing customers, but TI does not recommend using this part in a new design.

PREVIEW: Device has been announced but is not in production. Samples may or may not be available.

OBsolete: TI has discontinued the production of the device.

⁽²⁾ Eco Plan - The planned eco-friendly classification: Pb-Free (RoHS), Pb-Free (RoHS Exempt), or Green (RoHS & no Sb/Br) - please check <http://www.ti.com/productcontent> for the latest availability information and additional product content details.

TBD: The Pb-Free/Green conversion plan has not been defined.

Pb-Free (RoHS): TI's terms "Lead-Free" or "Pb-Free" mean semiconductor products that are compatible with the current RoHS requirements for all 6 substances, including the requirement that lead not exceed 0.1% by weight in homogeneous materials. Where designed to be soldered at high temperatures, TI Pb-Free products are suitable for use in specified lead-free processes.

Pb-Free (RoHS Exempt): This component has a RoHS exemption for either 1) lead-based flip-chip solder bumps used between the die and package, or 2) lead-based die adhesive used between the die and leadframe. The component is otherwise considered Pb-Free (RoHS compatible) as defined above.

Green (RoHS & no Sb/Br): TI defines "Green" to mean Pb-Free (RoHS compatible), and free of Bromine (Br) and Antimony (Sb) based flame retardants (Br or Sb do not exceed 0.1% by weight in homogeneous material)

⁽³⁾ MSL, Peak Temp. -- The Moisture Sensitivity Level rating according to the JEDEC industry standard classifications, and peak solder temperature.

Important Information and Disclaimer: The information provided on this page represents TI's knowledge and belief as of the date that it is provided. TI bases its knowledge and belief on information provided by third parties, and makes no representation or warranty as to the accuracy of such information. Efforts are underway to better integrate information from third parties. TI has taken and continues to take reasonable steps to provide representative and accurate information but may not have conducted destructive testing or chemical analysis on incoming materials and chemicals. TI and TI suppliers consider certain information to be proprietary, and thus CAS numbers and other limited information may not be available for release.

In no event shall TI's liability arising out of such information exceed the total purchase price of the TI part(s) at issue in this document sold by TI to Customer on an annual basis.

TAPE AND REEL INFORMATION
REEL DIMENSIONS

TAPE DIMENSIONS


| | |
|----|---|
| A0 | Dimension designed to accommodate the component width |
| B0 | Dimension designed to accommodate the component length |
| K0 | Dimension designed to accommodate the component thickness |
| W | Overall width of the carrier tape |
| P1 | Pitch between successive cavity centers |

TAPE AND REEL INFORMATION

*All dimensions are nominal

| Device | Package Type | Package Drawing | Pins | SPQ | Reel Diameter (mm) | Reel Width W1 (mm) | A0 (mm) | B0 (mm) | K0 (mm) | P1 (mm) | W (mm) | Pin1 Quadrant |
|-------------|--------------|-----------------|------|------|--------------------|--------------------|---------|---------|---------|---------|--------|---------------|
| TPS3700DDCR | SOT | DDC | 6 | 3000 | 179.0 | 8.4 | 3.2 | 3.2 | 1.4 | 4.0 | 8.0 | Q3 |
| TPS3700DDCT | SOT | DDC | 6 | 250 | 179.0 | 8.4 | 3.2 | 3.2 | 1.4 | 4.0 | 8.0 | Q3 |

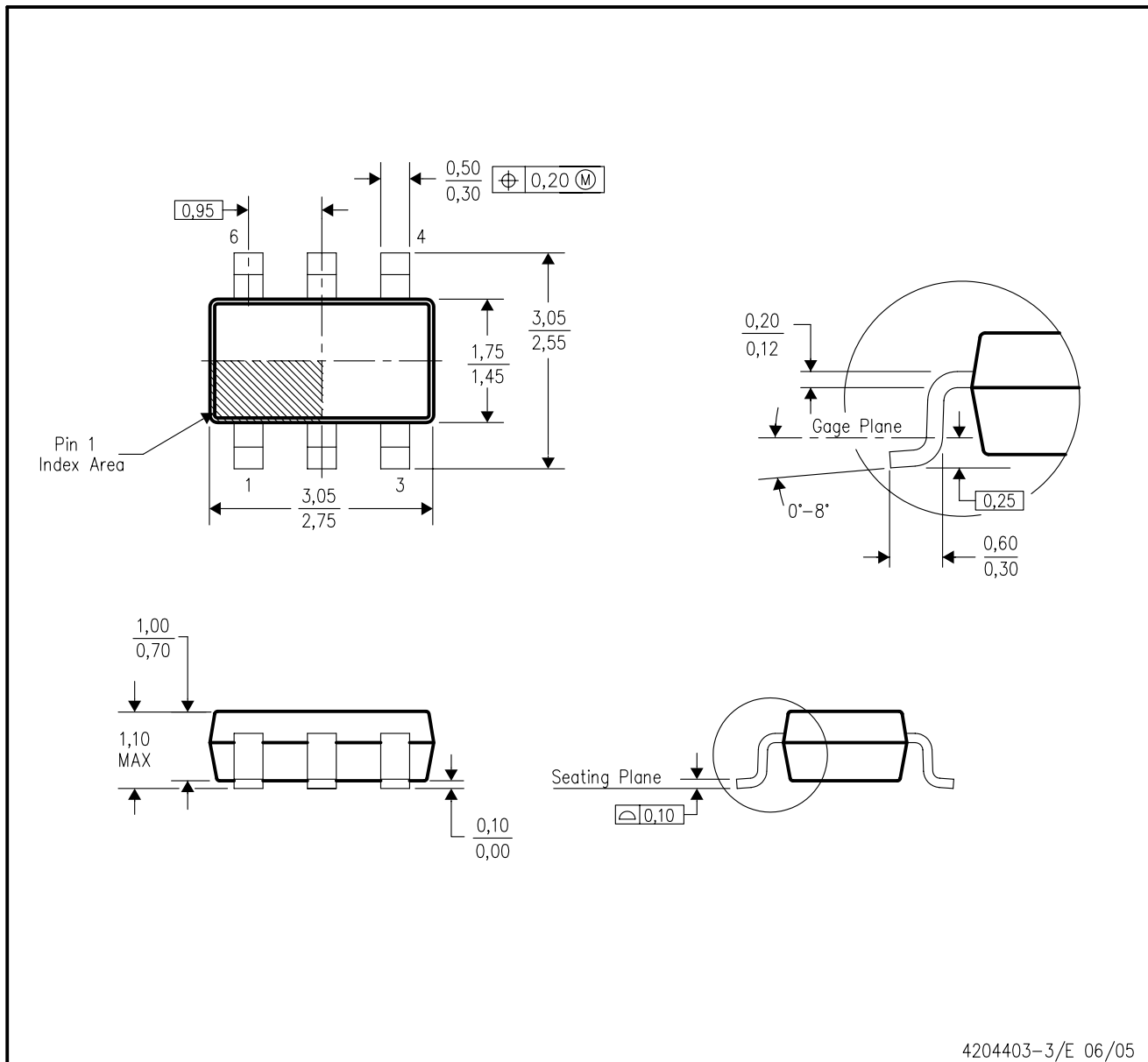
TAPE AND REEL BOX DIMENSIONS


*All dimensions are nominal

| Device | Package Type | Package Drawing | Pins | SPQ | Length (mm) | Width (mm) | Height (mm) |
|-------------|--------------|-----------------|------|------|-------------|------------|-------------|
| TPS3700DDCR | SOT | DDC | 6 | 3000 | 195.0 | 200.0 | 45.0 |
| TPS3700DDCT | SOT | DDC | 6 | 250 | 195.0 | 200.0 | 45.0 |

DDC (R-PDSO-G6)

PLASTIC SMALL-OUTLINE



- NOTES:
- All linear dimensions are in millimeters.
 - This drawing is subject to change without notice.
 - Body dimensions do not include mold flash or protrusion.
 - Falls within JEDEC MO-193 variation AA (6 pin).

IMPORTANT NOTICE

Texas Instruments Incorporated and its subsidiaries (TI) reserve the right to make corrections, modifications, enhancements, improvements, and other changes to its products and services at any time and to discontinue any product or service without notice. Customers should obtain the latest relevant information before placing orders and should verify that such information is current and complete. All products are sold subject to TI's terms and conditions of sale supplied at the time of order acknowledgment.

TI warrants performance of its hardware products to the specifications applicable at the time of sale in accordance with TI's standard warranty. Testing and other quality control techniques are used to the extent TI deems necessary to support this warranty. Except where mandated by government requirements, testing of all parameters of each product is not necessarily performed.

TI assumes no liability for applications assistance or customer product design. Customers are responsible for their products and applications using TI components. To minimize the risks associated with customer products and applications, customers should provide adequate design and operating safeguards.

TI does not warrant or represent that any license, either express or implied, is granted under any TI patent right, copyright, mask work right, or other TI intellectual property right relating to any combination, machine, or process in which TI products or services are used. Information published by TI regarding third-party products or services does not constitute a license from TI to use such products or services or a warranty or endorsement thereof. Use of such information may require a license from a third party under the patents or other intellectual property of the third party, or a license from TI under the patents or other intellectual property of TI.

Reproduction of TI information in TI data books or data sheets is permissible only if reproduction is without alteration and is accompanied by all associated warranties, conditions, limitations, and notices. Reproduction of this information with alteration is an unfair and deceptive business practice. TI is not responsible or liable for such altered documentation. Information of third parties may be subject to additional restrictions.

Resale of TI products or services with statements different from or beyond the parameters stated by TI for that product or service voids all express and any implied warranties for the associated TI product or service and is an unfair and deceptive business practice. TI is not responsible or liable for any such statements.

TI products are not authorized for use in safety-critical applications (such as life support) where a failure of the TI product would reasonably be expected to cause severe personal injury or death, unless officers of the parties have executed an agreement specifically governing such use. Buyers represent that they have all necessary expertise in the safety and regulatory ramifications of their applications, and acknowledge and agree that they are solely responsible for all legal, regulatory and safety-related requirements concerning their products and any use of TI products in such safety-critical applications, notwithstanding any applications-related information or support that may be provided by TI. Further, Buyers must fully indemnify TI and its representatives against any damages arising out of the use of TI products in such safety-critical applications.

TI products are neither designed nor intended for use in military/aerospace applications or environments unless the TI products are specifically designated by TI as military-grade or "enhanced plastic." Only products designated by TI as military-grade meet military specifications. Buyers acknowledge and agree that any such use of TI products which TI has not designated as military-grade is solely at the Buyer's risk, and that they are solely responsible for compliance with all legal and regulatory requirements in connection with such use.

TI products are neither designed nor intended for use in automotive applications or environments unless the specific TI products are designated by TI as compliant with ISO/TS 16949 requirements. Buyers acknowledge and agree that, if they use any non-designated products in automotive applications, TI will not be responsible for any failure to meet such requirements.

Following are URLs where you can obtain information on other Texas Instruments products and application solutions:

Products

| | |
|------------------------|--|
| Audio | www.ti.com/audio |
| Amplifiers | amplifier.ti.com |
| Data Converters | dataconverter.ti.com |
| DLP® Products | www.dlp.com |
| DSP | dsp.ti.com |
| Clocks and Timers | www.ti.com/clocks |
| Interface | interface.ti.com |
| Logic | logic.ti.com |
| Power Mgmt | power.ti.com |
| Microcontrollers | microcontroller.ti.com |
| RFID | www.ti-rfid.com |
| OMAP Mobile Processors | www.ti.com/omap |
| Wireless Connectivity | www.ti.com/wirelessconnectivity |

Applications

| | |
|-------------------------------|--|
| Automotive and Transportation | www.ti.com/automotive |
| Communications and Telecom | www.ti.com/communications |
| Computers and Peripherals | www.ti.com/computers |
| Consumer Electronics | www.ti.com/consumer-apps |
| Energy and Lighting | www.ti.com/energy |
| Industrial | www.ti.com/industrial |
| Medical | www.ti.com/medical |
| Security | www.ti.com/security |
| Space, Avionics and Defense | www.ti.com/space-avionics-defense |
| Video and Imaging | www.ti.com/video |

TI E2E Community Home Page

e2e.ti.com

Mailing Address: Texas Instruments, Post Office Box 655303, Dallas, Texas 75265
Copyright © 2012, Texas Instruments Incorporated