

DATA SHEET

TDA8760

**10-bit high-speed analog-to-digital
converter**

Product specification
Supersedes data of April 1994
File under Integrated Circuits, IC02

1996 Sep 12

10-bit high-speed analog-to-digital converter

TDA8760

FEATURES

- 10-bit resolution
- Sampling rate up to 40 MHz
- Total Harmonic Distortion (THD): -65 dB at 4.43 MHz full-scale and a 40 MHz clock frequency
- High signal-to-noise ratio over a large analog input frequency range (8.8 effective bits at 10 MHz full-scale input at a 40 MHz clock frequency)
- +5 V power supplies
- Binary or two's complement 3-state TTL outputs
- In-range 3-state TTL output
- TTL compatible digital inputs
- LOW-level AC clock input signal allowed
- Power dissipation 850 mW (typical)
- Low analog input capacitance (typ. 4.5 pF), no buffer amplifier required
- No external sample-and-hold circuit required
- Analog Input; single or differential
- External amplitude range control
- Voltage controlled regulator included.

APPLICATIONS

- High-speed analog-to-digital conversion for
 - Video signal digitizing
 - High Definition TV (HDTV)
 - Digital video broadcasting (satellite and cable)
 - Transient signal analysis
 - High energy physics research
 - Sigma-delta (SD) modulators
 - Medical imaging
 - Radar pulse digitizing.

GENERAL DESCRIPTION

The TDA8760 is a monolithic bipolar 10-bit Analog-to-Digital Converter (ADC) for video or other applications. It converts the analog input signal into 10-bit binary coded digital words at a maximum sampling rate of 40 MHz. All digital inputs and outputs are TTL compatible. However, a sine wave clock input signal is allowed.

10-bit high-speed analog-to-digital converter

TDA8760

QUICK REFERENCE DATA

SYMBOL	PARAMETER	CONDITIONS	MIN.	TYP.	MAX.	UNIT
V _{CCA}	analog supply voltage		4.75	5.0	5.25	V
V _{CCD}	digital supply voltage		4.75	5.0	5.25	V
V _{CCO}	output supply voltage		4.75	5.0	5.25	V
I _{CCA}	analog supply current		–	95	100	mA
I _{CCD}	digital supply current		–	40	45	mA
I _{CCO}	output supply current		–	35	40	mA
ILE	DC integral linearity error	f _{clk} = 4 MHz	–	±1.0	±2.0	LSB
DLE	DC differential linearity error	f _{clk} = 4 MHz	–	±0.6	±1.0	LSB
AILE	AC integral linearity error	f _{clk} = 40 MHz; f _i = 4.43 MHz	–	±1.2	±2.0	LSB
f _{clk(max)}	maximum clock frequency					
	TDA8760K/2		20	–	–	MHz
	TDA8760K/4		40	–	–	MHz
P _{tot}	total power dissipation		–	850	970	mW
T _{amb}	operating ambient temperature		0	–	+70	°C

ORDERING INFORMATION

TYPE NUMBER	PACKAGE			SAMPLING FREQUENCY (MHz)
	NAME	DESCRIPTION	VERSION	
TDA8760K/2	PLCC44	plastic leaded chip carrier; 44 leads	SOT187-2	20
TDA8760K/4				40

10-bit high-speed analog-to-digital converter

TDA8760

BLOCK DIAGRAM

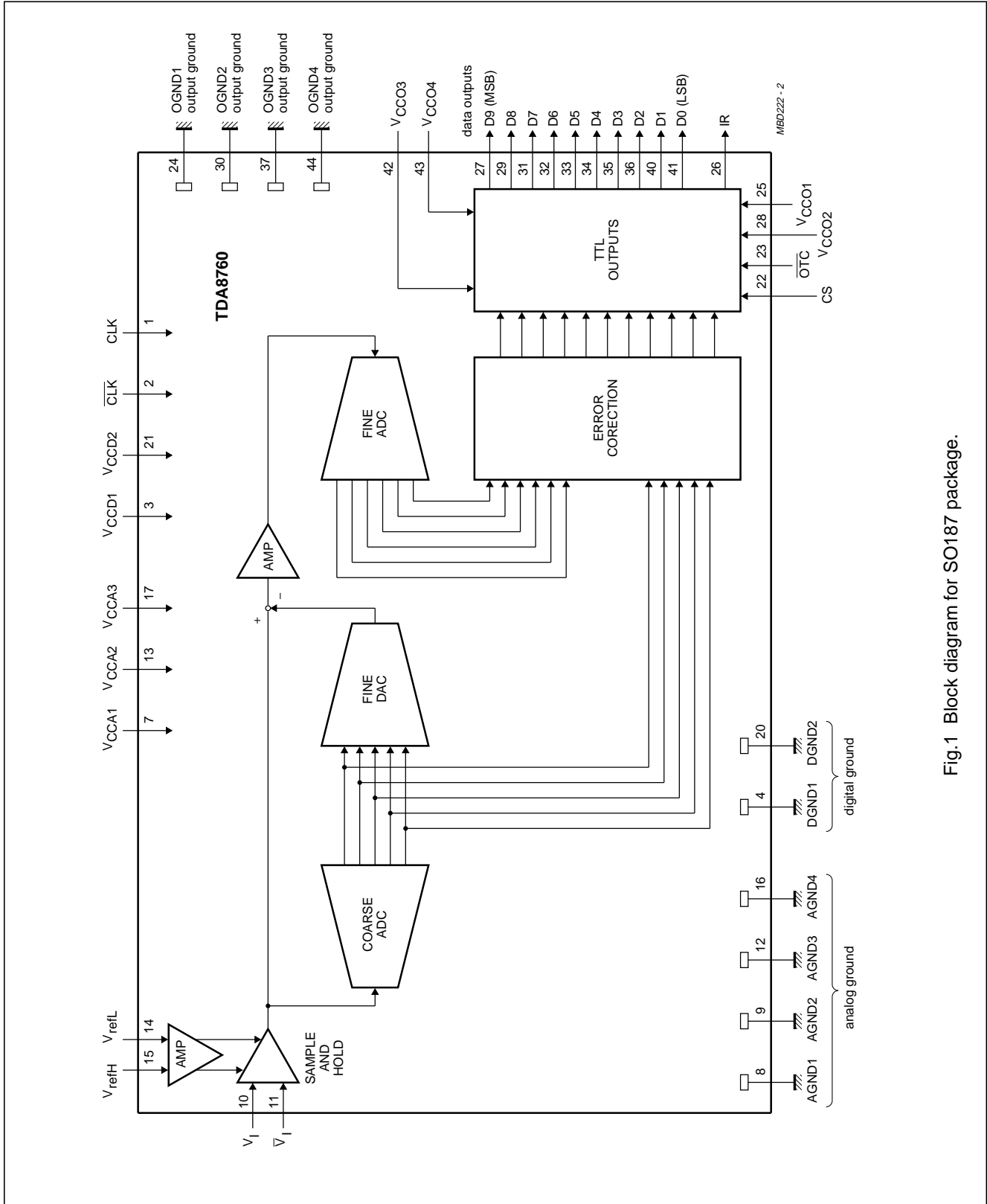


Fig.1 Block diagram for SO187 package.

10-bit high-speed analog-to-digital converter

TDA8760

PINNING

SYMBOL	PIN	DESCRIPTION
CLK	1	clock input
$\overline{\text{CLK}}$	2	complementary clock input
V_{CCD1}	3	digital supply voltage (+5 V)
DGND1	4	digital ground
n.c.	5	not connected
n.c.	6	not connected
V_{CCA1}	7	analog supply voltage (+5 V)
AGND1	8	analog ground
AGND2	9	analog ground
V_{I}	10	analog input voltage
$\overline{V_{\text{I}}}$	11	complementary analog input voltage
AGND3	12	analog ground
V_{CCA2}	13	analog supply voltage (+5 V)
V_{refL}	14	reference voltage LOW
V_{refH}	15	reference voltage HIGH
AGND4	16	analog ground
V_{CCA3}	17	analog supply voltage (+5 V)
n.c.	18	not connected
n.c.	19	not connected
DGND2	20	digital ground
V_{CCD2}	21	digital supply voltage (+5 V)
CS	22	chip select input (TTL level input; active HIGH)
$\overline{\text{OTC}}$	23	output two's complement
OGND1	24	output ground
V_{CCO1}	25	output supply voltage (+5 V)
IR	26	in-range output
D9	27	data output, bit 9 (MSB)
V_{CCO2}	28	output supply voltage (+5 V)
D8	29	data output, bit 8
OGND2	30	output ground
D7	31	data output, bit 7
D6	32	data output, bit 6
D5	33	data output, bit 5
D4	34	data output, bit 4
D3	35	data output, bit 3
D2	36	data output, bit 2
OGND3	37	output ground
n.c.	38	not connected
n.c.	39	not connected
D1	40	data output, bit 1

10-bit high-speed analog-to-digital converter

TDA8760

SYMBOL	PIN	DESCRIPTION
D0	41	data output, bit 0 (LSB)
V _{CCO3}	42	output supply voltage (+5 V)
V _{CCO4}	43	output supply voltage (+5 V)
OGND4	44	output ground

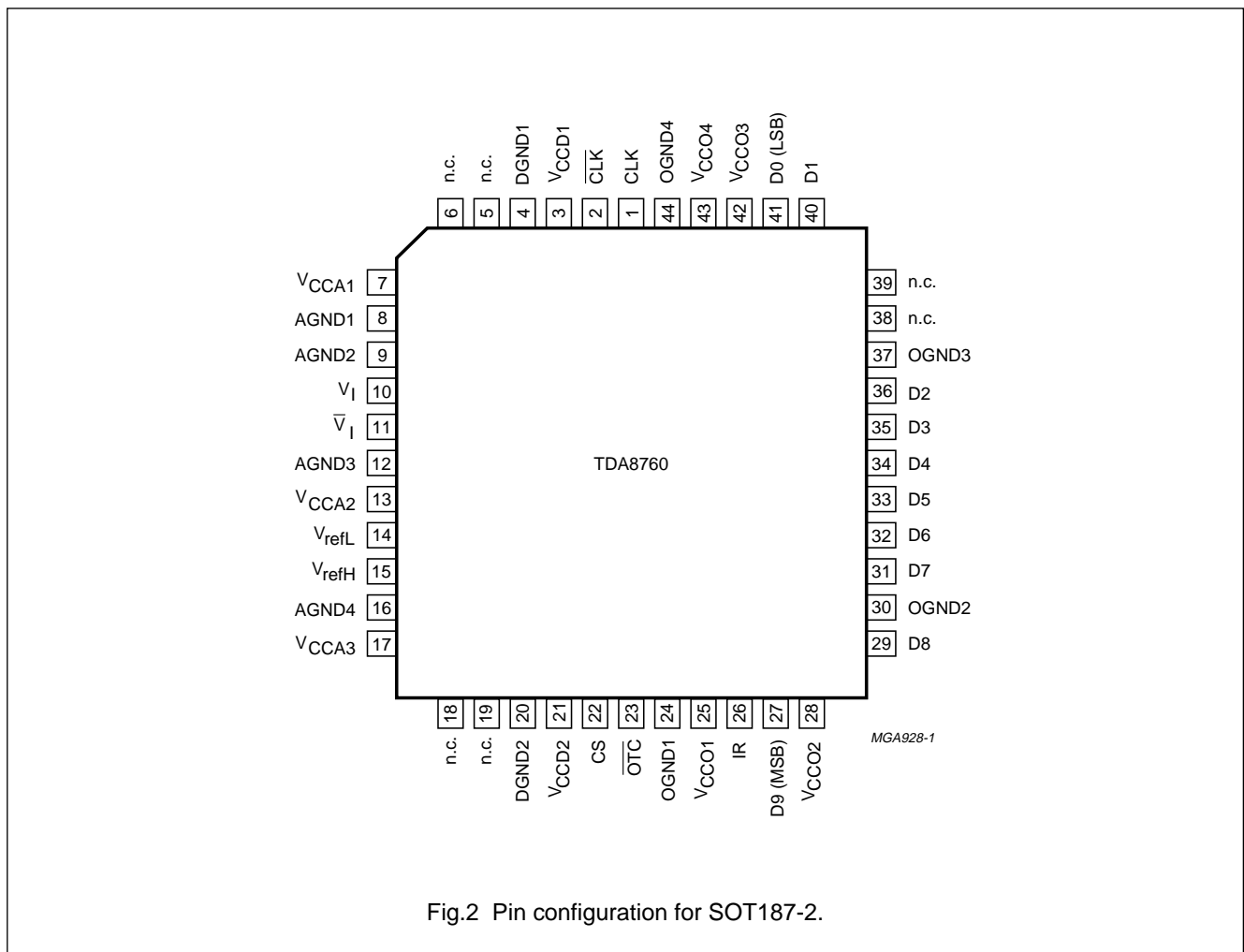


Fig.2 Pin configuration for SOT187-2.

10-bit high-speed analog-to-digital converter

TDA8760

LIMITING VALUES

In accordance with the Absolute Maximum Rating System (IEC 134).

SYMBOL	PARAMETER	CONDITIONS	MIN.	MAX.	UNIT
V_{CCA}	analog supply voltage		-0.3	+7.0	V
V_{CCD}	digital supply voltage		-0.3	+7.0	V
V_{CCO}	output supply voltage		-0.3	+7.0	V
ΔV_{CC1}	supply voltage difference between V_{CCA} and V_{CCD}		-0.5	+0.5	V
ΔV_{CC2}	supply voltage difference between V_{CCO} and V_{CCD}		-0.5	+0.5	V
ΔV_{CC3}	supply voltage difference between V_{CCA} and V_{CCO}		-0.5	0.5	V
V_I	input voltage	referenced to AGND	0.3	V_{CCA}	V
$V_{I(p-p)}$	input voltage for differential clock drive (peak-to-peak value)		-	V_{CCD}	V
I_O	output current		-	10	mA
T_{stg}	storage temperature		-55	+150	°C
T_{amb}	operating ambient temperature		0	+70	°C
T_j	junction temperature		-	+150	°C

HANDLING

Inputs and outputs are protected against electrostatic discharges in normal handling. However, to be totally safe, it is desirable to take normal precautions appropriate to handling integrated circuits.

THERMAL CHARACTERISTICS

SYMBOL	PARAMETER	THERMAL RESISTANCE
$R_{th\ j-a}$	Thermal resistance from junction to ambient in free air	
	TDA8760K/4	35 K/W
	TDA8760K/2	46 K/W

10-bit high-speed analog-to-digital converter

TDA8760

CHARACTERISTICS

$V_{CCA} = V_{CCD} = V_{CCO} = 4.75$ to 5.25 V; AGND and DGND shorted together;

$V_{CCA} - V_{CCD} = V_{CCO} - V_{CCD} = V_{CCA} - V_{CCO} = -0.25$ to $+0.25$ V; $T_{amb} = 0$ to $+70$ °C; unless otherwise specified.

Typical values measured at $V_{CCA} = V_{CCD} = V_{CCO} = 5$ V; $T_{amb} = 25$ °C.

SYMBOL	PARAMETER	CONDITIONS	MIN.	TYP.	MAX.	UNIT
Supplies						
V_{CCA}	analog supply voltage		4.75	5.0	5.25	V
V_{CCD}	digital supply voltage		4.75	5.0	5.25	V
V_{CCO}	output supply voltage		4.75	5.0	5.25	V
I_{CCA}	analog supply current		–	95	100	mA
I_{CCD}	digital supply current		–	40	45	mA
I_{CCO}	output supply current	all outputs LOW	–	35	40	mA
Inputs						
CLK AND \overline{CLK} (REFERENCED TO DGND); note 1						
V_{IL}	LOW level input voltage		0	–	0.8	V
V_{IH}	HIGH level input voltage		2.0	–	V_{CCD}	V
I_{IL}	LOW level input current	V_{clk} or $V_{\overline{clk}} = 0.4$ V	–400	–	–	mA
I_{IH}	HIGH level input current	V_{clk} or $V_{\overline{clk}} = 2.0$ V	–	–	100	mA
		V_{clk} or $V_{\overline{clk}} = V_{CCD}$	–	–	300	mA
Z_I	input impedance	$f_{clk} = 40$ MHz	–	2	–	k Ω
C_I	input capacitance	$f_{clk} = 40$ MHz	–	4.5	–	pF
ΔV_{clk}	AC input voltage for switching ($V_{clk} - V_{\overline{clk}}$)	DC level = 1.5 V	0.5	–	2.0	V
		DC level = 2.5 V	1.5	–	5.0	V
\overline{OTC} AND CS (REFERENCED TO DGND); see Table 3						
V_{IL}	LOW level input voltage		0	–	0.8	V
V_{IH}	HIGH level input voltage		2.0	–	V_{CCD}	V
I_{IL}	LOW level input current	$V_{IL} = 0.8$ V	–400	–	–	μ A
I_{IH}	HIGH level input current	$V_{IH} = 2.0$ V	–	–	20	μ A

10-bit high-speed analog-to-digital converter

TDA8760

SYMBOL	PARAMETER	CONDITIONS	MIN.	TYP.	MAX.	UNIT
V_I AND \bar{V}_I (REFERENCED TO AGND); see also Tables 1 and 2						
I_{IL}	LOW level input current	$V_{refH} - V_{refL} = 1.5$ V	–	7	–	μ A
I_{IH}	HIGH level input current	$V_{refH} - V_{refL} = 1.5$ V	–	22	–	μ A
Z_I	input impedance	$f_i = 4.43$ MHz	–	2	–	k Ω
C_I	input capacitance	$f_i = 4.43$ MHz	–	4.5	–	pF
$V_{offset(d)}$	input offset voltage	differential mode; $V_I = \bar{V}_I$; output code 511; Table 1 $V_{CCA} = 5$ V $V_{CCA} = 4.75$ V $V_{CCA} = 5.25$ V	3.3 3.2 3.3	3.4 – –	3.6 3.45 3.8	V V V
$V_{offset(s)}$	input offset voltage	single mode; $V_I = V_{offset(s)}$; output code 511; Table 2 $V_{CCA} = 5$ V $V_{CCA} = 4.75$ V $V_{CCA} = 5.25$ V	3.6 3.5 3.6	3.7 – –	3.8 3.65 4.0	V V V
Voltage controlled regulator inputs V_{refH} and V_{refL} (referenced to AGND); differential input						
V_{refH}	reference voltage HIGH		4.0	4.5	V_{CCA}	V
V_{refL}	reference voltage LOW		2.5	3.0	3.5	V
$V_{I(p-p)}$	input voltage amplitude (peak-to-peak value)		1.4	1.5	1.6	V
I_{refH}	input current at V_{refH}		–	10	–	μ A
I_{refL}	input current at V_{refL}		–	10	–	μ A
Voltage controlled regulator inputs V_{refH} and V_{refL} (referenced to AGND); single input						
V_{refH}	reference voltage HIGH		4.0	4.4	V_{CCA}	V
V_{refL}	reference voltage LOW		2.5	3.0	3.5	V
$V_{I(p-p)}$	input voltage amplitude (peak-to-peak value)		1.3	1.4	1.5	V
I_{refH}	input current at V_{refH}		–	10	–	μ A
I_{refL}	input current at V_{refL}		–	10	–	μ A
Outputs (referenced to DGND)						
DIGITAL OUTPUTS D9 TO D0 AND IR (REFERENCED TO DGND)						
V_{OL}	LOW level output voltage	$I_O = 2$ mA	0	–	0.4	V
V_{OH}	HIGH level output voltage	$I_O = -0.4$ mA	2.4	–	V_{CCD}	V
I_O	output current in 3-state mode	0.4 V < V_O < V_{CCO}	–20	–	+20	μ A

10-bit high-speed analog-to-digital converter

TDA8760

SYMBOL	PARAMETER	CONDITIONS	MIN.	TYP.	MAX.	UNIT
Switching characteristics						
CLOCK FREQUENCY f_{clk} (note 1; see Fig.3)						
$f_{clk(min)}$	minimum clock frequency		–	–	1	MHz
$f_{clk(max)}$	maximum clock frequency TDA8760K/4 TDA8760K/2		40	–	–	MHz
			20	–	–	MHz
t_{CPH}	clock pulse width HIGH	note 7	10	–	–	ns
t_{CPL}	clock pulse width LOW		8	–	–	ns
Analog signal processing in differential input mode; see Table 1; 50% clock duty factor; $V_{I(p-p)} = V_{refH} - V_{refL} = 1.5 V$						
LINEARITY						
ILE	DC integral linearity error	$f_{clk} = 4 MHz$	–	± 1.0	± 2.0	LSB
DLE	DC differential linearity error	$f_{clk} = 4 MHz$	–	± 0.6	± 1.0	LSB
AILE	AC integral linearity error	note 3	–	± 1.2	± 2.0	LSB
OFE	offset error	$V_{CCA} = V_{CCD} = V_{CCO} = 5 V$; $V_I = \bar{V}_I$; $T_{amb} = 25 ^\circ C$; output code = 511	–3	–	+3	LSB
GE	gain error; amplitude spread between devices	$V_{CCA} = V_{CCD} = V_{CCO} = 5 V$; $T_{amb} = 25 ^\circ C$; $V_{refH} - V_{refL} = 1.5 V$	–10	–	+10	LSB
BANDWIDTH ($f_{clk} = 40 MHz$); note 9						
B	Analog bandwidth	–1 dB	–	140	–	MHz
		–3 dB	–	220	–	MHz
HARMONICS ($f_{clk} = 40 MHz$); see Figs 6, 8 and 9						
f_1	fundamental harmonics (full scale)	$f_i = 4.43 MHz$	–	–	0	dB
f_{all}	harmonics (full scale); all components	$f_i = 4.43 MHz$				
	second harmonics		–	–70	–63	dB
	third harmonics		–	–70	–63	dB
THD	total harmonic distortion	$f_i = 4.43 MHz$; note 2	–	–65	–60	dB
SIGNAL-TO-NOISE RATIO; notes 4 and 5; see Figs 6, 8 and 9						
SNR	signal-to-noise ratio	without harmonics; $f_{clk} = 40 MHz$; $f_i = 4.43 MHz$; $T_{amb} = 25 ^\circ C$	54	56	–	dB

10-bit high-speed analog-to-digital converter

TDA8760

SYMBOL	PARAMETER	CONDITIONS	MIN.	TYP.	MAX.	UNIT
EFFECTIVE BITS; notes 4 and 5; see Figs 6, 8 and 9						
EB	effective bits TDA8760K/2 ($f_{\text{clk}} = 20$ MHz)	$f_i = 4.43$ MHz	–	8.90	–	bits
		$f_i = 7.5$ MHz	–	8.70	–	bits
	effective bits TDA8760K/4 ($f_{\text{clk}} = 40$ MHz)	$f_i = 4.43$ MHz	–	8.80	–	bits
		$f_i = 10$ MHz	–	8.80	–	bits
		$f_i = 15$ MHz	–	8.70	–	bits
TWO-TONE						
Two-tone	two-tone intermodulation rejection	$f_{\text{clk}} = 40$ MHz; note 8	–	–65	–	dB
BIT ERROR RATE						
BER	bit error rate	$f_{\text{clk}} = 40$ MHz; $f_i = 4.43$ MHz; $V_I = \pm 16$ LSB at code 512	–	2×10^{-12}	–	times/ samples
DIFFERENTIAL GAIN; SEE Fig.5						
G_{diff}	differential gain	$f_{\text{clk}} = 20$ MHz; $f_i = 4.43$ MHz	–	0.5	–	%
		$f_{\text{clk}} = 40$ MHz; $f_i = 4.43$ MHz	–	1.0	–	%
DIFFERENTIAL PHASE						
Φ_{diff}	differential phase	$f_{\text{clk}} = 40$ MHz; $f_i = 4.43$ MHz	–	0.1	0.2	deg
Analog signal processing in single input mode; see Table 2; 50% clock duty factor; $V_{I(p-p)} = V_{\text{refH}} - V_{\text{refL}} = 1.4$ V						
LINEARITY						
ILE	DC integral linearity error	$f_{\text{clk}} = 4$ MHz	–	± 1.0	± 2.0	LSB
DLE	DC differential linearity error	$f_{\text{clk}} = 4$ MHz	–	± 0.6	± 1.0	LSB
AILE	AC integral linearity error	note 3	–	± 1.2	± 2.0	LSB
BANDWIDTH ($f_{\text{clk}} = 40$ MHz); note 9						
B	Analog bandwidth	–1 dB	–	140	–	MHz
		–3 dB	–	220	–	MHz
HARMONICS ($f_{\text{clk}} = 40$ MHz); see Fig.7						
f_1	fundamental harmonics (full scale)	$f_i = 4.43$ MHz	–	–	0	dB
f_{all}	harmonics (full scale); all components	$f_i = 4.43$ MHz				
	second harmonics		–	–61	–	dB
	third harmonics		–	–62	–	dB
THD	total harmonic distortion	$f_i = 4.43$ MHz; note 2	–	–59	–	dB
SIGNAL-TO-NOISE RATIO; notes 4 and 5; see Fig.7						

10-bit high-speed analog-to-digital converter

TDA8760

SYMBOL	PARAMETER	CONDITIONS	MIN.	TYP.	MAX.	UNIT
SNR	signal-to-noise ratio	without harmonics; $f_{\text{clk}} = 40 \text{ MHz}$; $f_i = 4.43 \text{ MHz}$; $T_{\text{amb}} = 25 \text{ }^\circ\text{C}$	54	56	–	dB
EFFECTIVE BITS; notes 4 and 5; see Fig.7						
EB	effective bits TDA8760K/2 ($f_{\text{clk}} = 20 \text{ MHz}$)	$f_i = 4.43 \text{ MHz}$	–	8.70	–	bits
		$f_i = 7.5 \text{ MHz}$	–	8.50	–	bits
	effective bits TDA8760K/4 ($f_{\text{clk}} = 40 \text{ MHz}$)	$f_i = 4.43 \text{ MHz}$	–	8.50	–	bits
		$f_i = 10 \text{ MHz}$	–	8.20	–	bits
TWO-TONE						
Two-tone	two-tone intermodulation rejection	$f_{\text{clk}} = 40 \text{ MHz}$; note 8	–	–60	–	dB
BIT ERROR RATE						
BER	bit error rate	$f_{\text{clk}} = 40 \text{ MHz}$; $f_i = 4.43 \text{ MHz}$; $V_I = \pm 16 \text{ LSB}$ at code 512	–	2×10^{-12}	–	times/ samples
DIFFERENTIAL GAIN; see Fig.5						
G_{diff}	differential gain	$f_{\text{clk}} = 20 \text{ MHz}$; $f_i = 4.43 \text{ MHz}$	–	0.5	–	%
		$f_{\text{clk}} = 40 \text{ MHz}$; $f_i = 4.43 \text{ MHz}$	–	1.0	–	%
DIFFERENTIAL PHASE						
Φ_{diff}	differential phase	$f_{\text{clk}} = 40 \text{ MHz}$; $f_i = 4.43 \text{ MHz}$	–	0.1	0.2	deg
Timing (note 6; see Fig.3; CL = 15 pF)						
t_{ds}	sampling delay time		–	–	2	ns
t_{h}	output hold time		8	–	–	ns
t_{d}	output delay time		–	12	16	ns
3-state output delay times (see Fig.4)						
t_{dZH}	enable HIGH		–	12	16	ns
t_{dZL}	enable LOW		–	12	16	ns
t_{dHZ}	disable HIGH		–	8	12	ns
t_{dLZ}	disable LOW		–	16	20	ns

10-bit high-speed analog-to-digital converter

TDA8760

Notes

1. The circuit has two clock inputs: CLK and $\overline{\text{CLK}}$. There are three modes of operation:
 - a) TTL mode 1:
CLK input is at TTL level with a threshold voltage of 1.5 V and sampling is taken on the falling edge of the clock input signal. $\overline{\text{CLK}}$ decoupled to DGND via a 100 nF capacitor.
 - b) TTL mode 2:
 $\overline{\text{CLK}}$ input is at TTL level with threshold voltage of 1.5 V and sampling is taken on the rising edge of the clock input signal. CLK decoupled to DGND via a 100 nF capacitor.
 - c) TTL mode 3:
CLK and $\overline{\text{CLK}}$ inputs are at differential TTL levels.
 - d) AC driving modes:
When driving the CLK input directly and with any AC signal of minimum 0.5 V (p-p) and with a DC level of 1.5 V, the sampling takes place at the falling edge of the clock signal.
When driving the $\overline{\text{CLK}}$ input with the same signal, sampling takes place at the rising edge of the clock signal. It is recommended to decouple the CLK or $\overline{\text{CLK}}$ input to DGND via a 100 nF capacitor.
2. THD (total harmonic distortion) is obtained with the addition of the first five harmonics:
 - a)
$$\text{THD} = 20 \log \frac{F}{\sqrt{(2\text{nd})^2 + (3\text{rd})^2 + (4\text{th})^2 + (5\text{th})^2 + (6\text{th})^2}}$$
 - b) F being the fundamental harmonic referenced at 0 dB for a full-scale sine wave input.
3. AC linearity: full-scale differential sine wave ($f_i = 4.43 \text{ MHz}$; $f_{\text{clk}} = 40 \text{ MHz}$).
4. Effective bits with differential input and single input are respectively executed with full scale differential input and full-scale single sine wave.
5. Effective bits are obtained via a Fast Fourier Transformer (FFT) treatment taking 8K acquisition points per period. The calculation takes into account all harmonics and noise up to half of the clock frequency (NYQUIST frequency). Conversion to SNR: $\text{SNR} = \text{EB} \times 6.02 + 1.76 \text{ dB}$.
6. Output data acquisition: the output data is available after the maximum delay of t_d .
7. t_{CPH} of 9 ns (minimum) can be applied at the penalty of 0.5 effective bit drop compared to typical values.
8. Intermodulation measured relative to either tone with analog input frequencies of 4.43 MHz and 4.53 MHz. The two input signals have the same amplitude and the total amplitude of both signals provides full-scale to the converter.
9. The -3 dB (or -1 dB) analog bandwidth is determined by the 3 dB (or 1 dB) reduction in the reconstructed output, the input being a full-scale sine wave.

10-bit high-speed analog-to-digital converter

TDA8760

Table 1 Output coding with differential inputs (typical values to AGND); $V_{I(p-p)} = V_{refH} - V_{refL} = 1.5\text{ V}$

CODE	$V_{I(p-p)}$	$\bar{V}_{I(p-p)}$	IR	BINARY OUTPUTS	TWO'S COMPLEMENT OUTPUTS
				D9 TO D0	D9 TO D0
underflow	<3.025	>3.775	0	0 0 0 0 0 0 0 0 0 0	1 0 0 0 0 0 0 0 0 0
0	3.025	3.775	1	0 0 0 0 0 0 0 0 0 0	1 0 0 0 0 0 0 0 0 0
1	–	–	1	0 0 0 0 0 0 0 0 0 1	1 0 0 0 0 0 0 0 0 1
•	–	–	•	• • • • • • • • • •	• • • • • • • • • •
511	3.40	3.40	1	0 1 1 1 1 1 1 1 1 1	1 1 1 1 1 1 1 1 1 1
•	–	–	•	• • • • • • • • • •	• • • • • • • • • •
1022	–	–	1	1 1 1 1 1 1 1 1 1 0	0 1 1 1 1 1 1 1 1 0
1023	3.775	3.025	1	1 1 1 1 1 1 1 1 1 1	0 1 1 1 1 1 1 1 1 1
overflow	>3.775	<3.025	0	1 1 1 1 1 1 1 1 1 1	0 1 1 1 1 1 1 1 1 1

Table 2 Output coding with single inputs (typical values to AGND); $V_{I(p-p)} = V_{refH} - V_{refL} = 1.4\text{ V}$; $\bar{V}_{I(p-p)} = 3.7\text{ V}$

CODE	$V_{I(p-p)}$	IR	BINARY OUTPUTS	TWO'S COMPLEMENT OUTPUTS
			D9 TO D0	D9 TO D0
underflow	<3.0	0	0 0 0 0 0 0 0 0 0 0	1 0 0 0 0 0 0 0 0 0
0	3.0	1	0 0 0 0 0 0 0 0 0 0	1 0 0 0 0 0 0 0 0 0
1	–	1	0 0 0 0 0 0 0 0 0 1	1 0 0 0 0 0 0 0 0 1
•	–	•	• • • • • • • • • •	• • • • • • • • • •
511	3.7	1	0 1 1 1 1 1 1 1 1 1	1 1 1 1 1 1 1 1 1 1
•	–	•	• • • • • • • • • •	• • • • • • • • • •
1022	–	1	1 1 1 1 1 1 1 1 1 0	0 1 1 1 1 1 1 1 1 0
1023	4.4	1	1 1 1 1 1 1 1 1 1 1	0 1 1 1 1 1 1 1 1 1
overflow	>4.4	0	1 1 1 1 1 1 1 1 1 1	0 1 1 1 1 1 1 1 1 1

Table 3 Mode selection.

\overline{OTC}	CS	D0 TO D9 AND IR
1	1	binary; active
0	1	two's complement; active
X ⁽¹⁾	0	high impedance

Note

- Where: X = don't care.

10-bit high-speed analog-to-digital converter

TDA8760

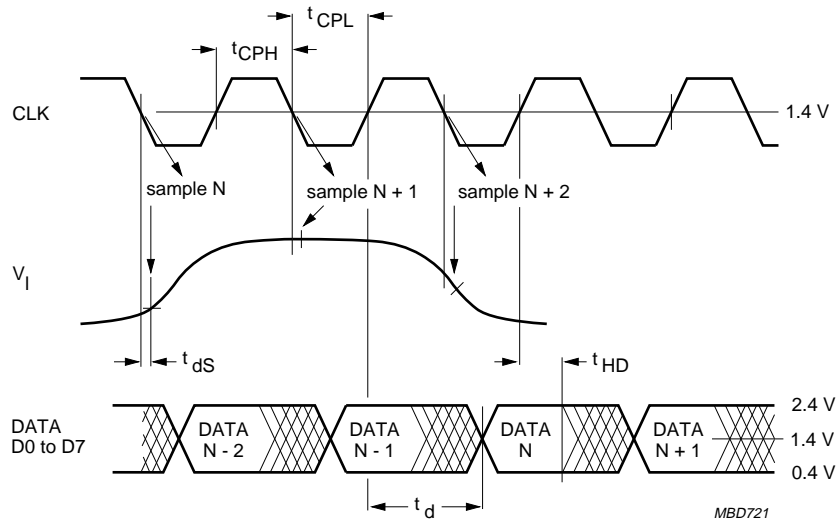


Fig.3 Timing diagram.

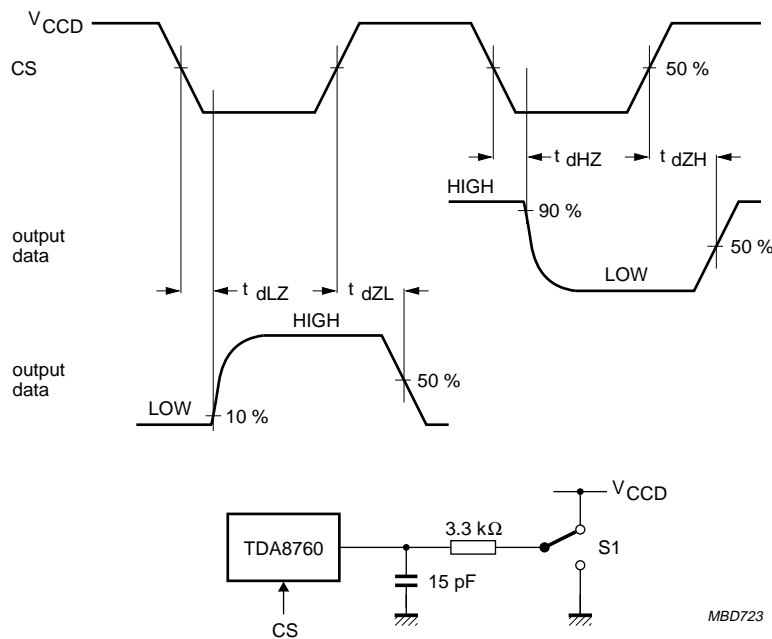
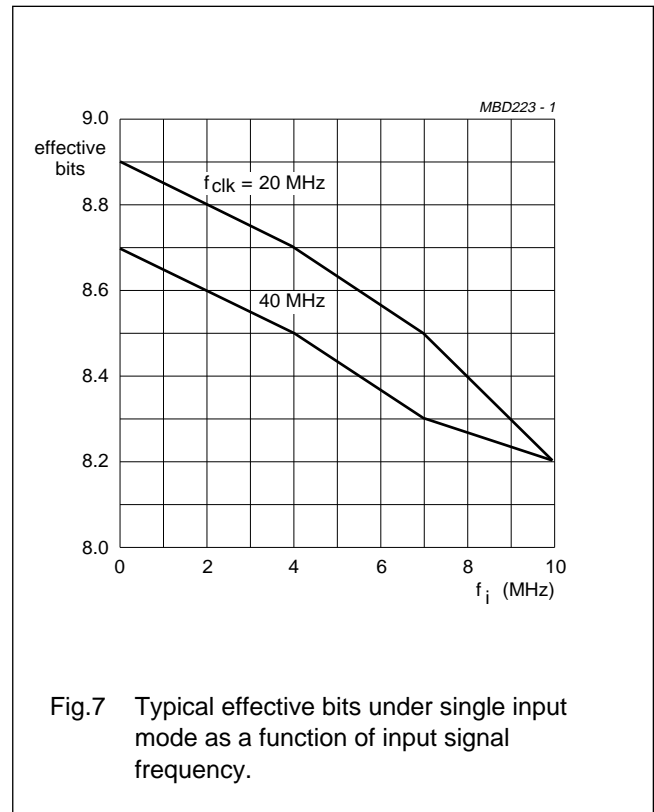
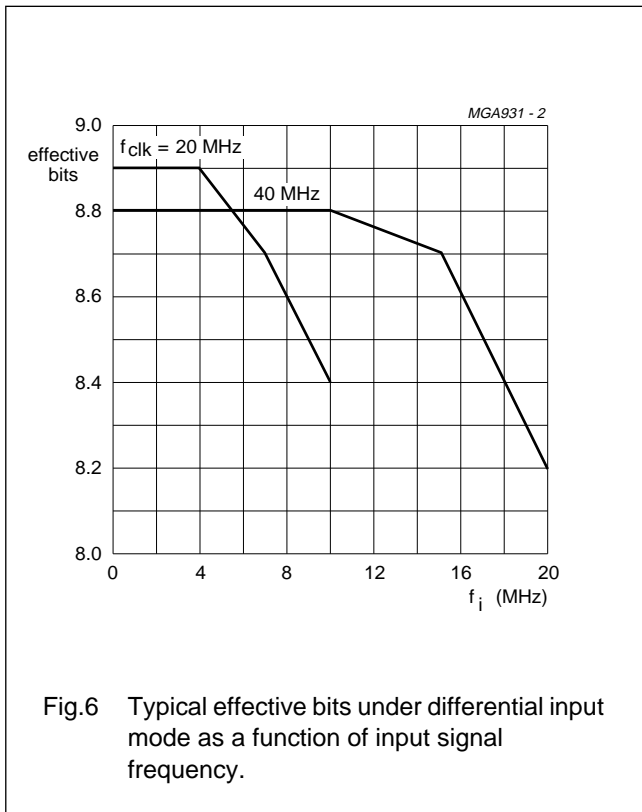
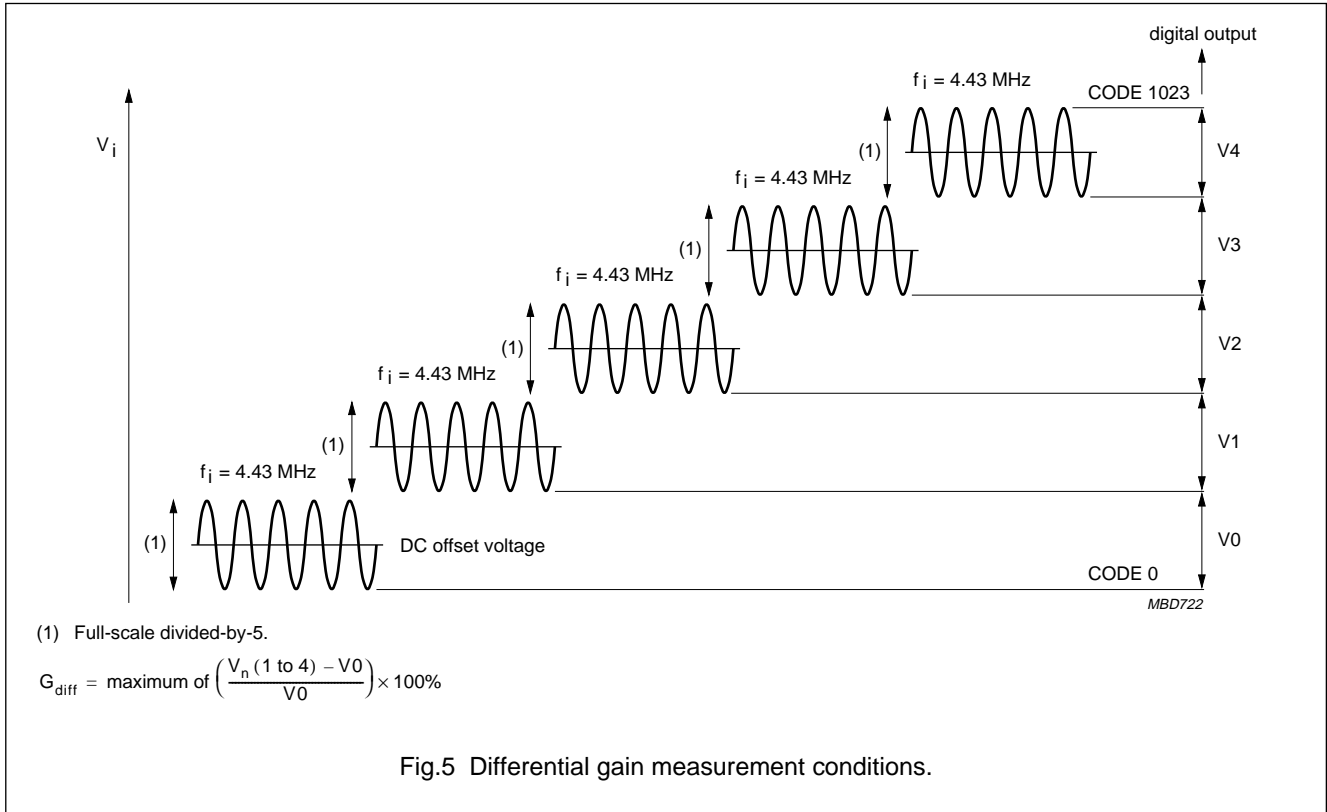


Fig.4 Timing diagram and test conditions of 3-state output delay time.

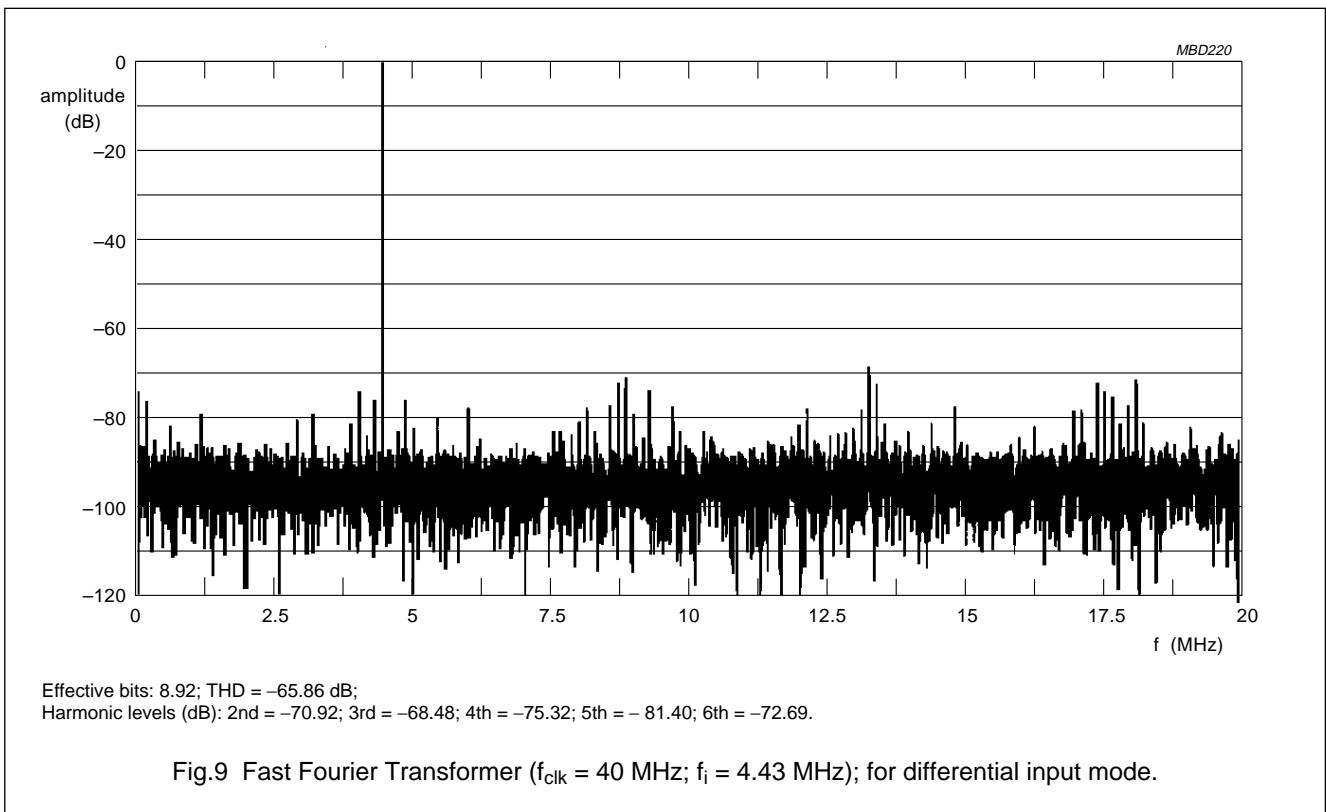
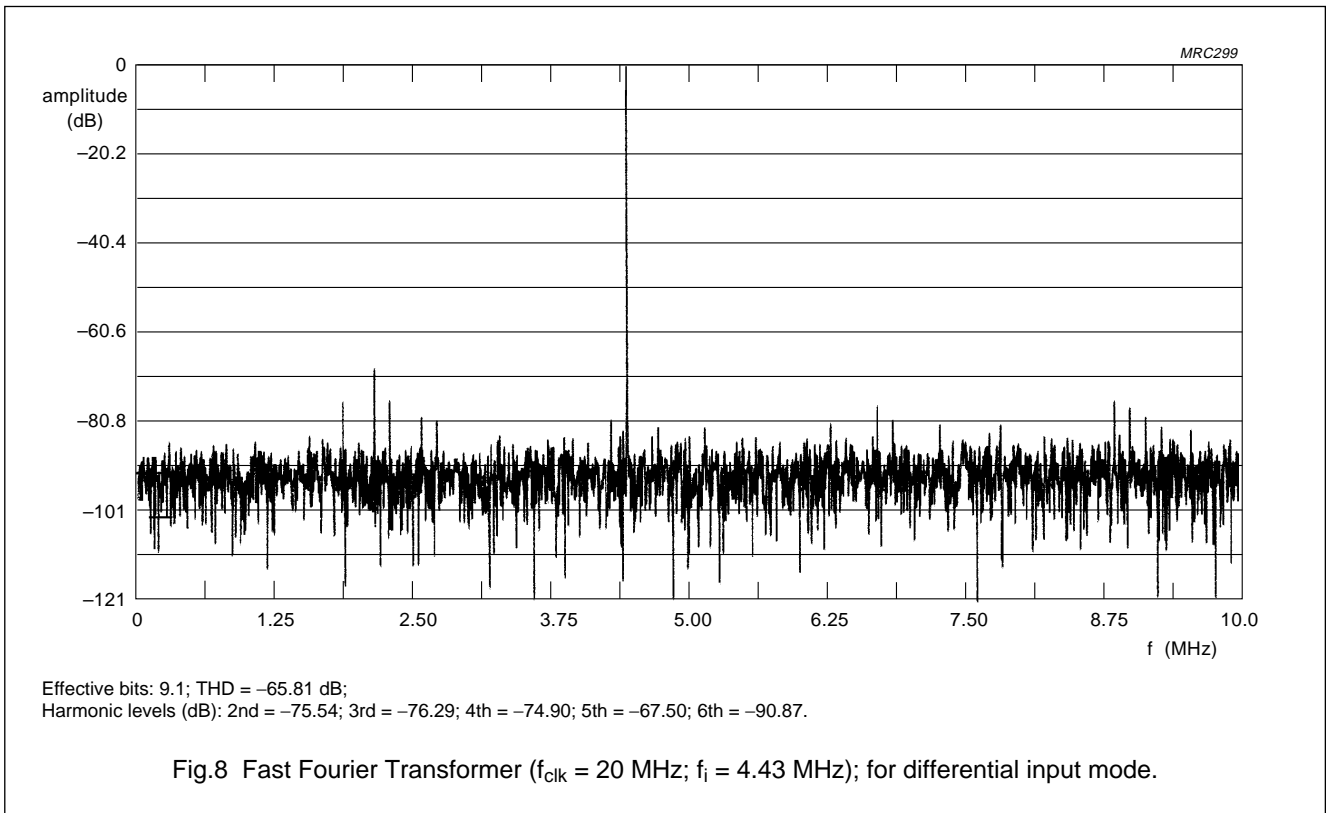
10-bit high-speed analog-to-digital converter

TDA8760



10-bit high-speed analog-to-digital converter

TDA8760



10-bit high-speed analog-to-digital converter

TDA8760

INTERNAL PIN CONFIGURATION

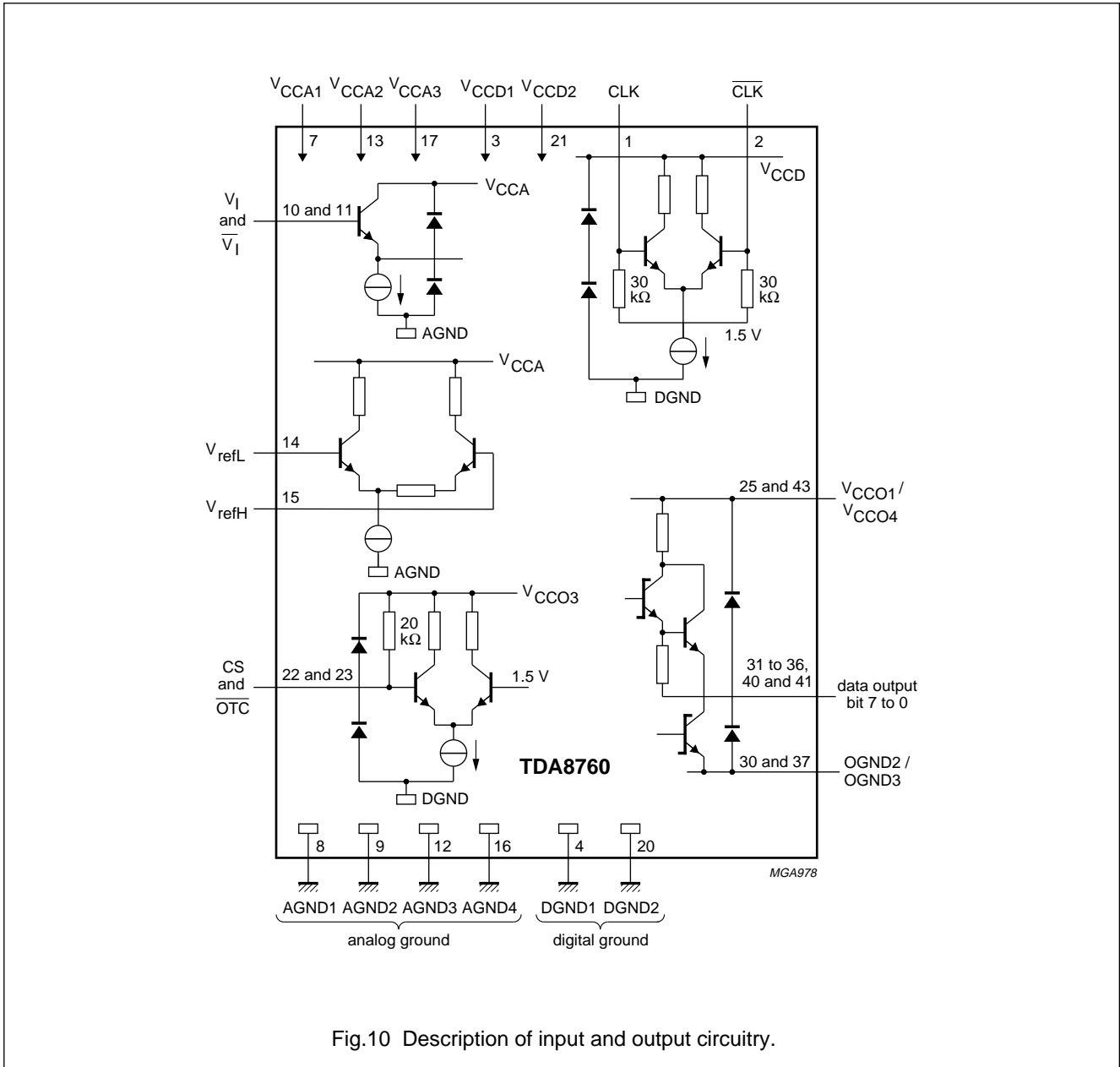
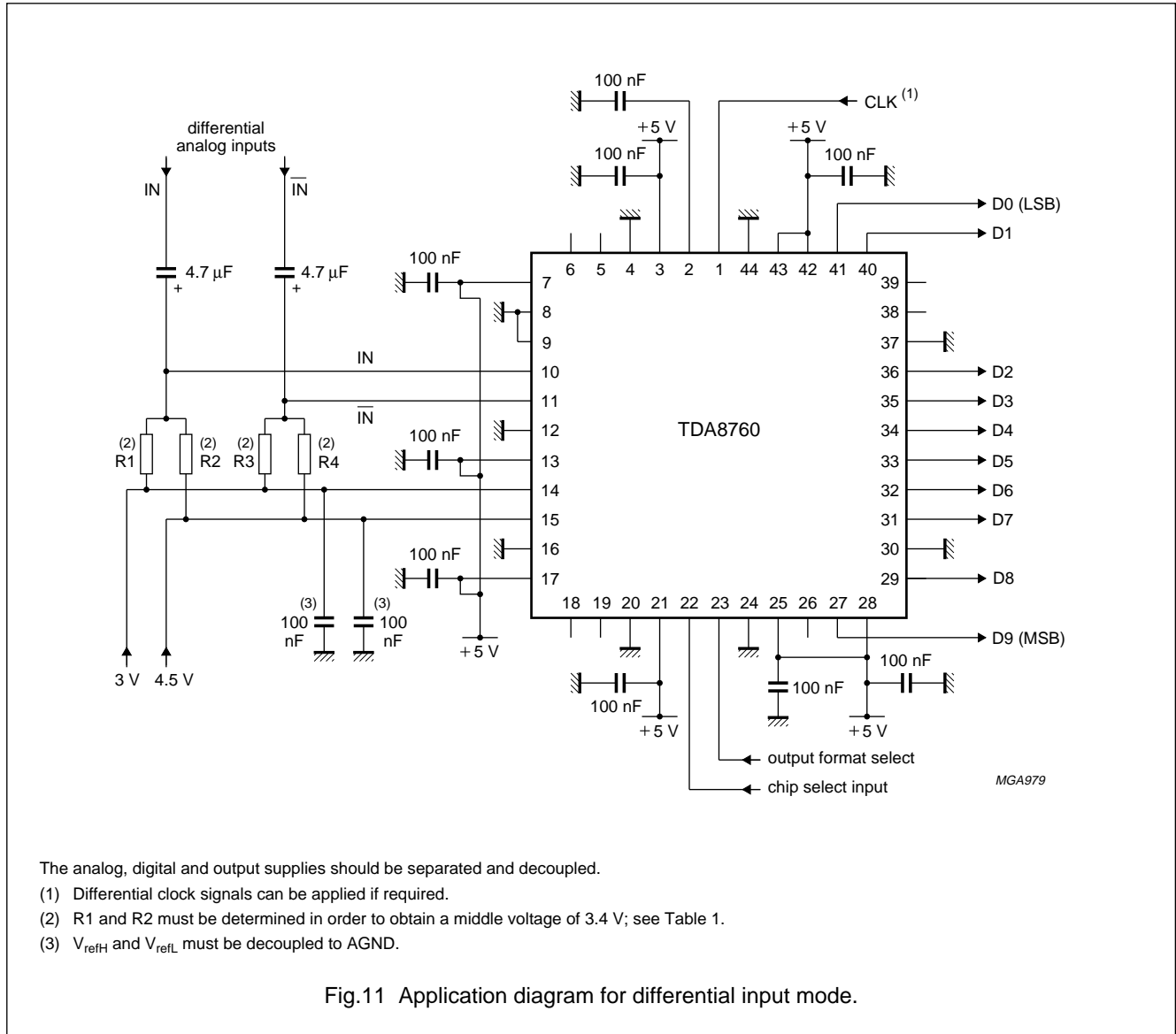


Fig.10 Description of input and output circuitry.

10-bit high-speed analog-to-digital converter

TDA8760

APPLICATION INFORMATION



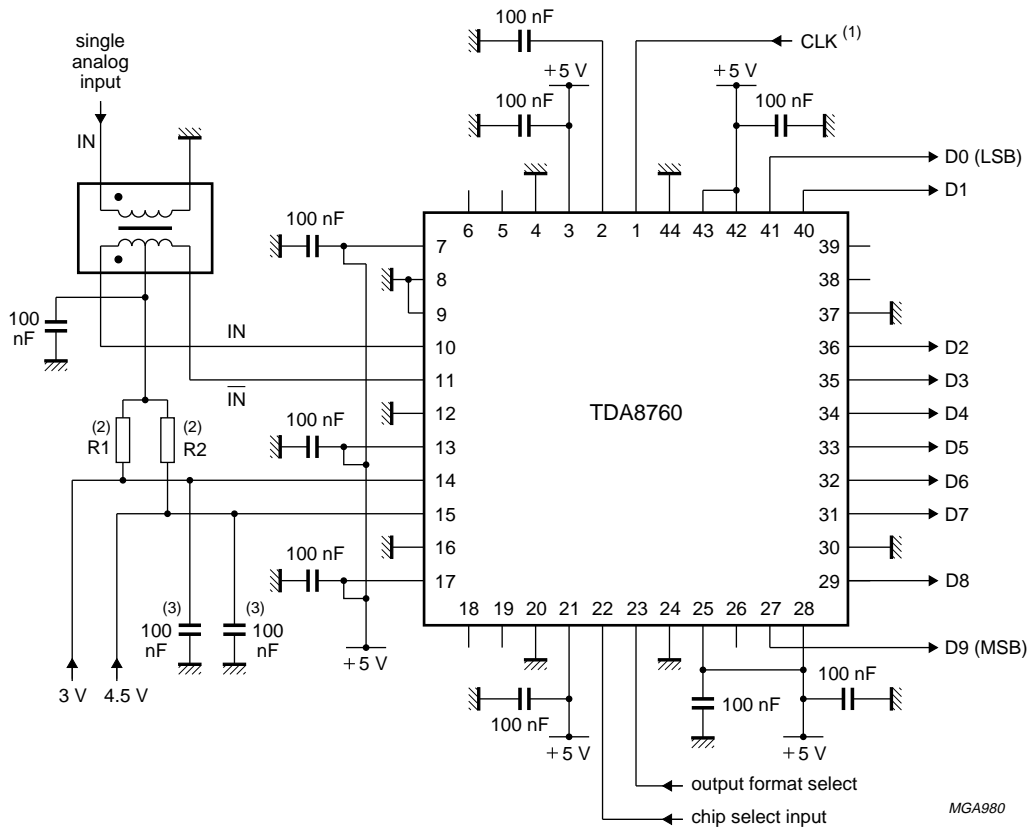
The analog, digital and output supplies should be separated and decoupled.

- (1) Differential clock signals can be applied if required.
- (2) R1 and R2 must be determined in order to obtain a middle voltage of 3.4 V; see Table 1.
- (3) V_{refH} and V_{refL} must be decoupled to AGND.

Fig.11 Application diagram for differential input mode.

10-bit high-speed analog-to-digital converter

TDA8760



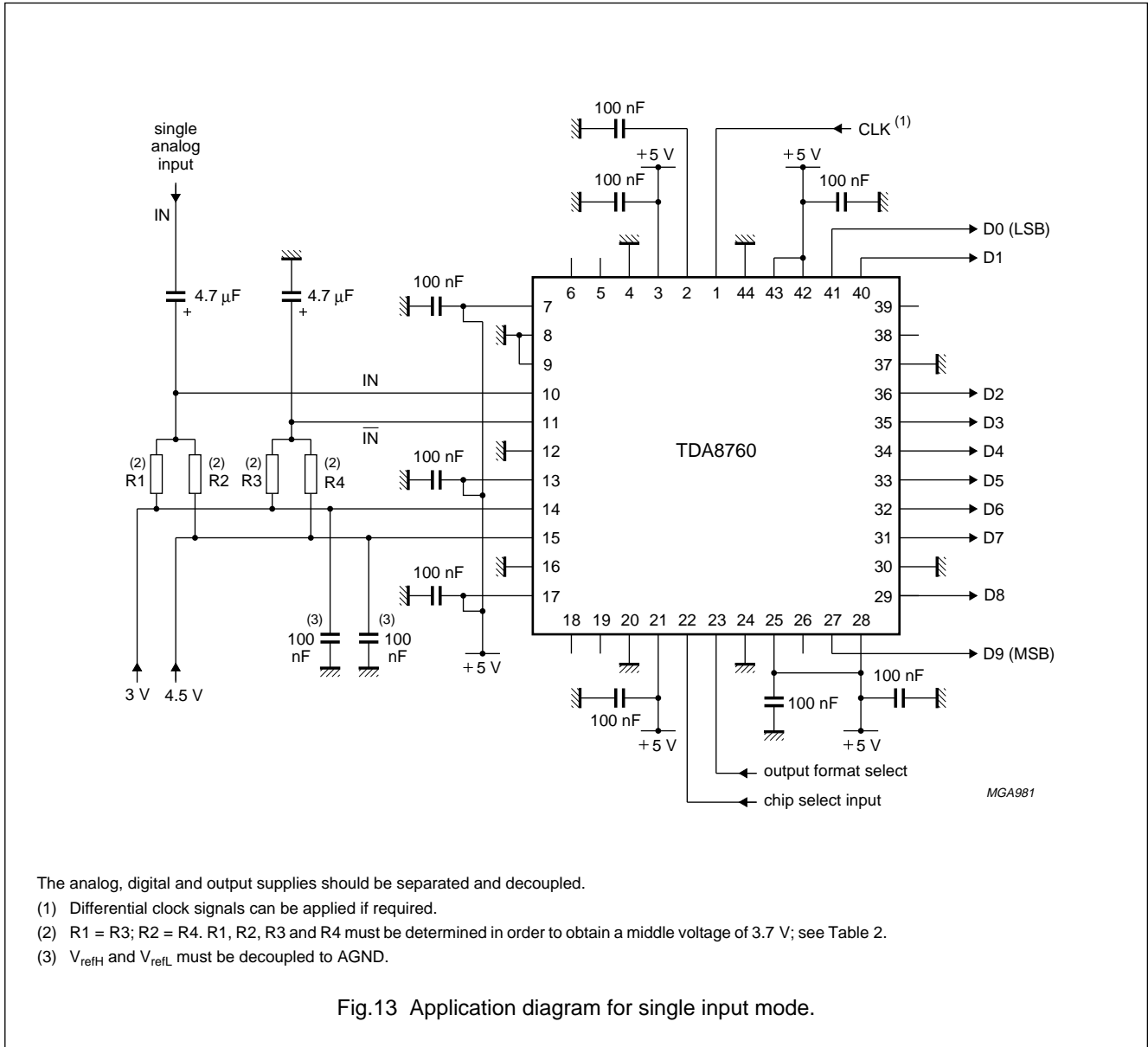
The analog, digital and output supplies should be separated and decoupled.

- (1) Differential clock signals can be applied if required.
- (2) R1 and R2 must be determined in order to obtain 3.4 V at the transformer; see Table 1. Adaptation with the single input signal impedance must be taken care of.
- (3) V_{refH} and V_{refL} must be decoupled to AGND.

Fig.12 Application diagram for differential input mode using an input transformer.

10-bit high-speed analog-to-digital converter

TDA8760



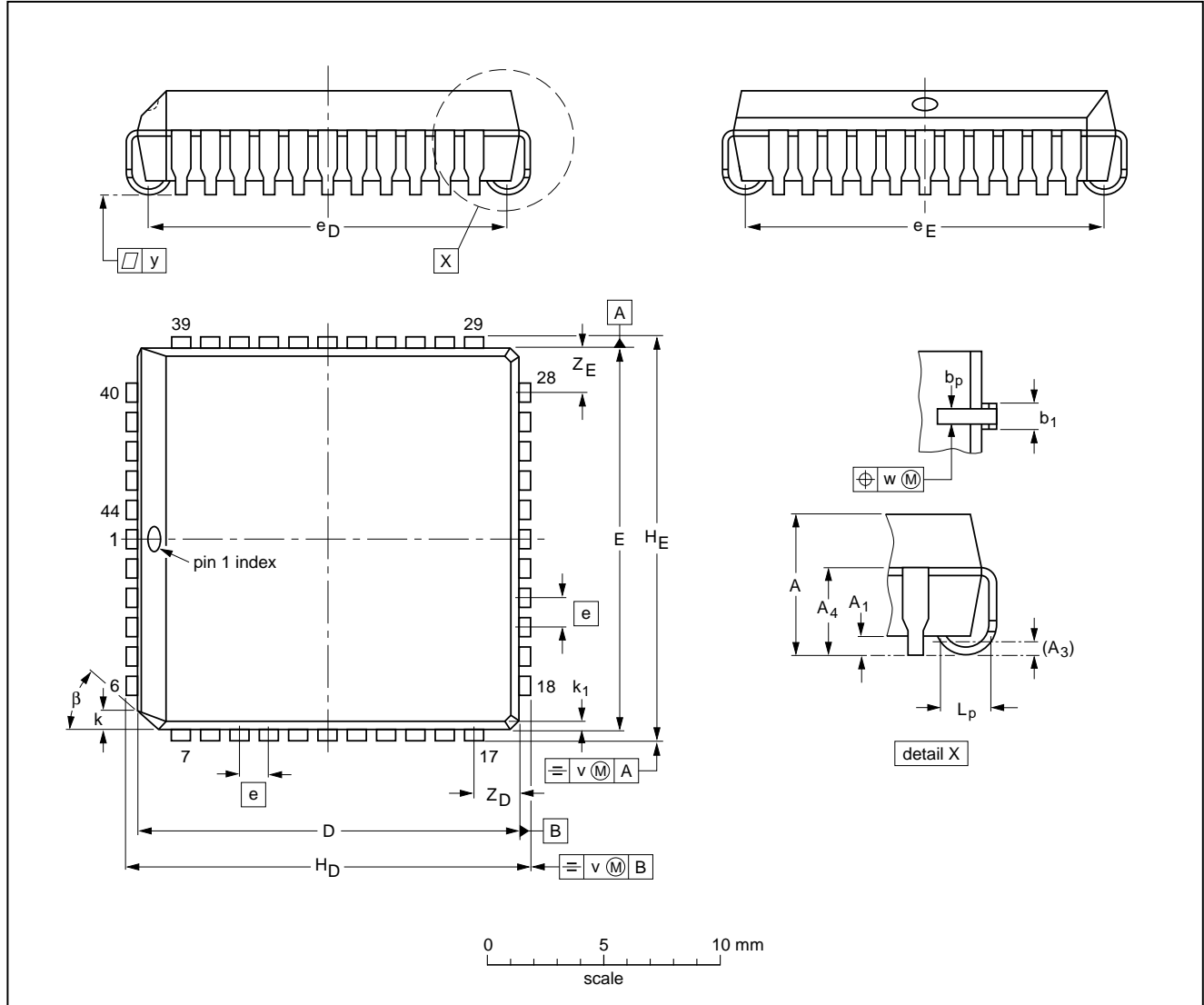
10-bit high-speed analog-to-digital converter

TDA8760

PACKAGE OUTLINE

PLCC44: plastic leaded chip carrier; 44 leads

SOT187-2



DIMENSIONS (millimetre dimensions are derived from the original inch dimensions)

UNIT	A	A ₁ min.	A ₃	A ₄ max.	b _p	b ₁	D ⁽¹⁾	E ⁽¹⁾	e	e _D	e _E	H _D	H _E	k	k ₁ max.	L _p	v	w	y	Z _D ⁽¹⁾ max.	Z _E ⁽¹⁾ max.	β
mm	4.57 4.19	0.51	0.25	3.05	0.53 0.33	0.81 0.66	16.66 16.51	16.66 16.51	1.27	16.00 14.99	16.00 14.99	17.65 17.40	17.65 17.40	1.22 1.07	0.51	1.44 1.02	0.18	0.18	0.10	2.16	2.16	45°
inches	0.180 0.165	0.020	0.01	0.12	0.021 0.013	0.032 0.026	0.656 0.650	0.656 0.650	0.05	0.630 0.590	0.630 0.590	0.695 0.685	0.695 0.685	0.048 0.042	0.020	0.057 0.040	0.007	0.007	0.004	0.085	0.085	

Note

1. Plastic or metal protrusions of 0.01 inches maximum per side are not included.

OUTLINE VERSION	REFERENCES				EUROPEAN PROJECTION	ISSUE DATE
	IEC	JEDEC	EIAJ			
SOT187-2	112E10	MO-047AC				92-11-17 95-02-25

10-bit high-speed analog-to-digital converter

TDA8760

SOLDERING

Introduction

There is no soldering method that is ideal for all IC packages. Wave soldering is often preferred when through-hole and surface mounted components are mixed on one printed-circuit board. However, wave soldering is not always suitable for surface mounted ICs, or for printed-circuits with high population densities. In these situations reflow soldering is often used.

This text gives a very brief insight to a complex technology. A more in-depth account of soldering ICs can be found in our *"IC Package Databook"* (order code 9398 652 90011).

Reflow soldering

Reflow soldering techniques are suitable for all PLCC packages.

The choice of heating method may be influenced by larger PLCC packages (44 leads, or more). If infrared or vapour phase heating is used and the large packages are not absolutely dry (less than 0.1% moisture content by weight), vaporization of the small amount of moisture in them can cause cracking of the plastic body. For more information, refer to the Drypack chapter in our *"Quality Reference Handbook"* (order code 9397 750 00192).

Reflow soldering requires solder paste (a suspension of fine solder particles, flux and binding agent) to be applied to the printed-circuit board by screen printing, stencilling or pressure-syringe dispensing before package placement.

Several techniques exist for reflowing; for example, thermal conduction by heated belt. Dwell times vary between 50 and 300 seconds depending on heating method. Typical reflow temperatures range from 215 to 250 °C.

Preheating is necessary to dry the paste and evaporate the binding agent. Preheating duration: 45 minutes at 45 °C.

Wave soldering

Wave soldering techniques can be used for all PLCC packages if the following conditions are observed:

- A double-wave (a turbulent wave with high upward pressure followed by a smooth laminar wave) soldering technique should be used.
- The longitudinal axis of the package footprint must be parallel to the solder flow.
- The package footprint must incorporate solder thieves at the downstream corners.

During placement and before soldering, the package must be fixed with a droplet of adhesive. The adhesive can be applied by screen printing, pin transfer or syringe dispensing. The package can be soldered after the adhesive is cured.

Maximum permissible solder temperature is 260 °C, and maximum duration of package immersion in solder is 10 seconds, if cooled to less than 150 °C within 6 seconds. Typical dwell time is 4 seconds at 250 °C.

A mildly-activated flux will eliminate the need for removal of corrosive residues in most applications.

Repairing soldered joints

Fix the component by first soldering two diagonally-opposite end leads. Use only a low voltage soldering iron (less than 24 V) applied to the flat part of the lead. Contact time must be limited to 10 seconds at up to 300 °C. When using a dedicated tool, all other leads can be soldered in one operation within 2 to 5 seconds between 270 and 320 °C.

10-bit high-speed analog-to-digital converter

TDA8760

DEFINITIONS

Data sheet status	
Objective specification	This data sheet contains target or goal specifications for product development.
Preliminary specification	This data sheet contains preliminary data; supplementary data may be published later.
Product specification	This data sheet contains final product specifications.
Limiting values	
Limiting values given are in accordance with the Absolute Maximum Rating System (IEC 134). Stress above one or more of the limiting values may cause permanent damage to the device. These are stress ratings only and operation of the device at these or at any other conditions above those given in the Characteristics sections of the specification is not implied. Exposure to limiting values for extended periods may affect device reliability.	
Application information	
Where application information is given, it is advisory and does not form part of the specification.	

LIFE SUPPORT APPLICATION

These products are not designed for use in life support appliances, devices, or systems where malfunction of these products can reasonably be expected to result in personal injury. Philips customers using or selling these products for use in such applications do so at their own risk and agree to fully indemnify Philips for any damages resulting from such improper use or sale.