

## 5V Precision Data Acquisition Subsystems

### FEATURES

- Precision (up to 17 Bits) A/D Converter
- 3 Wire Serial Port
- Flexible: User Can Trade-Off Conversion Speed Against Resolution
- Single Supply Operation
- - 5V Output Pin
- 4 Input, Differential Analog MUX (TC534)
- Automatic Input Polarity and Overage Detection
- Low Operating Current ..... 5mA Max
- Wide Analog Input Range .....  $\pm 4.2V$  Max
- Cost Effective

### ORDERING INFORMATION

Part No.	Package	Temp. Range
TC530COI	28-Pin SOIC	0°C to +70°C
TC530CPJ	28-Pin Plastic DIP (300 Mil.)	0°C to +70°C
TC534CKW	44-Pin PQFP	0°C to +70°C
TC534CPL	40-Pin Plastic DIP	0°C to +70°C
TC530EV	Evaluation Kit for TC530/534	

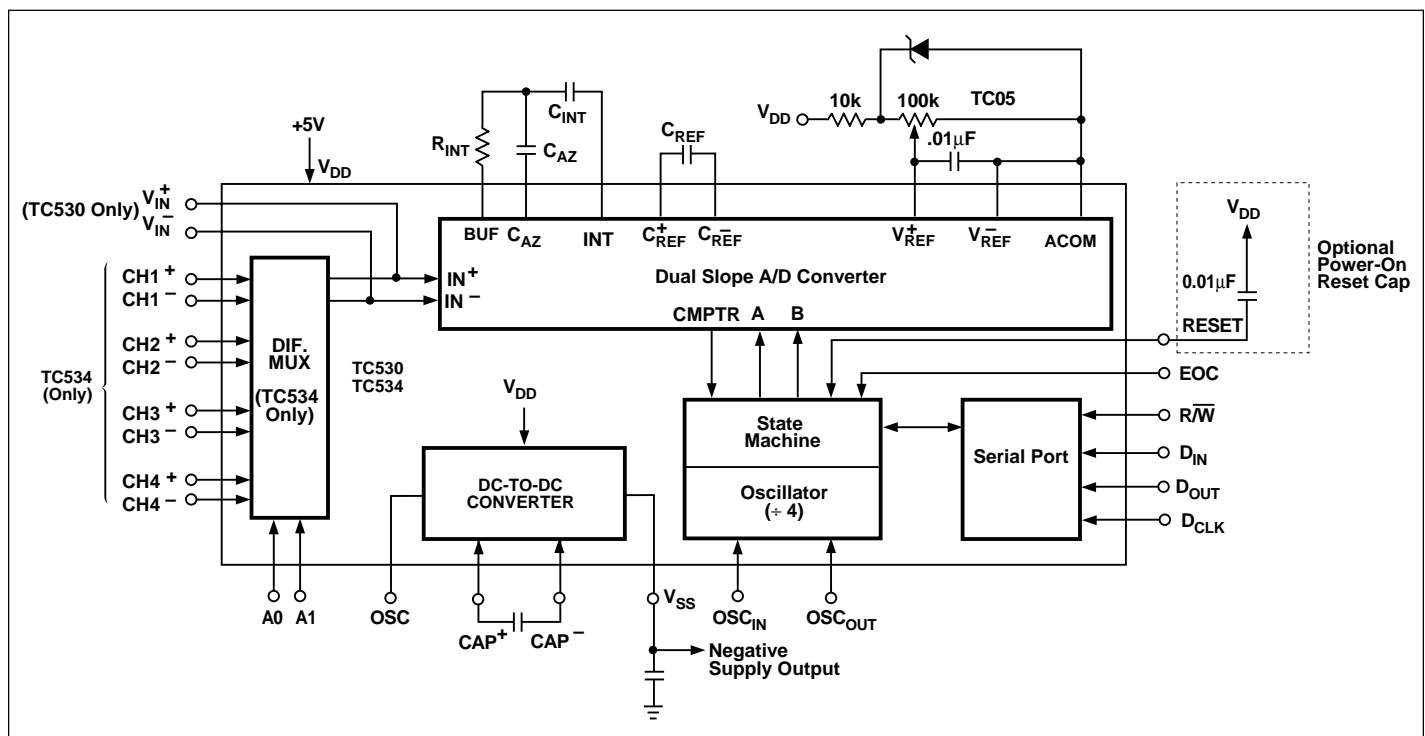
### GENERAL DESCRIPTION

The TC530/534 are serial analog data acquisition subsystems ideal for high precision measurements (up to 17 bits plus sign). The TC530 consists of a dual slope integrating A/D converter, negative power supply generator and 3 wire serial interface port. The TC534 is identical to the TC530, but adds a four channel differential input multiplexer. Key A/D converter operating parameters (Auto Zero and Integration time) are programmable, allowing the user to trade-off conversion time for resolution.

Data conversion is initiated when the RESET input is brought low. After conversion, data is loaded into the output shift register and  $\bar{EOC}$  is asserted indicating new data is available. The converted data (plus Overage and polarity bits) is held in the output shift register until read by the processor, or until the next conversion is completed allowing the user to access data at any time.

The TC530/534 timebase can be derived from an external crystal of 2MHz (max), or from an external frequency source. The TC530/534 requires a single 5V power supply and features a - 5V, 10mA output which can be used to supply negative bias to other components in the system.

### FUNCTIONAL BLOCK DIAGRAM



# 5V Precision Data Acquisition Subsystems

## TC530 TC534

### ABSOLUTE MAXIMUM RATINGS\*

Supply Voltage .....	+6V
Analog Input Voltage ( $V_{IN}^+$ or $V_{IN}^-$ ) .....	$V_{DD}$ to $V_{SS}$
Logic Input Voltage .....	$(V_{DD} + 0.3V)$ to $(GND - 0.3V)$
Ambient Operating Temperature Range	
Plastic DIP Package (C) .....	0°C to +70°C
SOIC Package (C) .....	0°C to +70°C
PQFP Package (C) .....	0°C to +70°C
Storage Temperature Range .....	-65°C to +150°C
Lead Temperature (Soldering, 10 sec) .....	+300°C

\*Stresses beyond those listed under "Absolute Maximum Ratings" may cause permanent damage to the device. These are stress ratings only, and functional operation of the device at these or any other conditions beyond those indicated in the operational sections of the specifications is not implied. Exposure to absolute maximum rating conditions for extended periods may affect device reliability.

### ELECTRICAL CHARACTERISTICS:

Symbol	Parameter	Test Conditions	$T_A = +25^\circ\text{C}$			$T_A = 0^\circ\text{C to } +70^\circ\text{C}$			Unit
			Min	Typ	Max	Min	Typ	Max	
$V_{DD}$	Analog Power Supply Voltage		4.5	5.0	5.5	4.5	—	5.5	V
$V_{CCD}$	Digital Power Supply Voltage		4.5	5.0	5.5	4.5	—	5.5	V
$P_D$	TC530/534 Total Power Dissipation	$V_{DD} = V_{CCD} = 5V$	—	—	25	—	—	—	mW
$I_S$	Supply Current ( $V_S + P_{IN}$ )		—	1.8	2.5	—	—	3.0	mA
$I_{CCD}$	Supply Current ( $V_{CCD} P_{IN}$ )	$f_{OSC} = 1\text{MHz}$	—	—	1.5	—	—	1.7	mA

**ELECTRICAL CHARACTERISTICS:**  $V_{DD} = V_{CCD}$ ,  $C_{AZ} = C_{REF} = 0.47\mu\text{F}$ , unless otherwise specified.

Symbol	Parameter	Test Conditions	$T_A = +25^\circ\text{C}$			$T_A = 0^\circ\text{C to } +70^\circ\text{C}$			Unit
			Min	Typ	Max	Min	Typ	Max	
<b>Analog</b>									
R	Resolution	Note 1	—	—	$\pm 17$	—	—	$\pm 17$	Bits
ZSE	Zero-Scale Error with Auto Zero Phase		—	—	0.5	—	0.005	0.012	% F.S.
ENL	End Point Linearity	Note 1 and 2	—	0.015	0.030	—	0.015	0.045	% F.S.
NL	Max Deviation from Best Straight Line Fit	Notes 1 and 2	—	0.008	0.015	—	—	—	% F.S.
ZS <sub>TC</sub>	Zero-Scale Temperature Coefficient		—	—	—	—	1	2	$\mu\text{V}/^\circ\text{C}$
SYE	Roll-Over Error	Note 3	—	.012	—	—	.03	—	% F.S.
FS <sub>TC</sub>	Full-Scale Temperature Coefficient	Ext. $V_{REF}$ T.C. = 0ppm/ $^\circ\text{C}$	—	—	—	—	10	—	ppm/ $^\circ\text{C}$
$I_{IN}$	Input Current	$V_{IN} = 0V$	—	6	—	—	—	—	pA
$V_{CMR}$	Common-Mode Voltage Range		$V_{SS} + 1.5$	—	$V_{DD} - 1.5$	$V_{SS} + 1.5$	—	$V_{DD} - 1.5$	V
$V_{INT}$	Integrator Output Swing		$V_{SS} + 0.9$	—	$V_{DD} - 0.9$	$V_{SS} + 0.9$	—	$V_{DD} - 0.9$	V
$V_{IN}$	Analog Input Signal Range		$V_{SS} + 1.5$	—	$V_{DD} - 1.5$	$V_{SS} + 1.5$	—	$V_{DD} - 1.5$	V
$V_{REF}$	Voltage Reference Range		$V_{SS} + 1$	—	$V_{DD} - 1$	$V_{DD} + 1$	—	$V_{DD} - 1$	V
$t_D$	Zero Crossing Comparator		—	2.0	—	—	3.0	—	$\mu\text{sec}$

### ELECTRICAL CHARACTERISTICS:

**Serial Port Interface:**  $V_{CCD} = +5V$ , unless otherwise specified.

Symbol	Parameter	Test Conditions	$T_A = +25^\circ C$			$T_A = 0^\circ C \text{ to } +70^\circ C$			Unit
			Min	Typ	Max	Min	Typ	Max	
$V_{IH}$	Input Logic HIGH Level		2.5	—	—	2.5	—	—	V
$V_{IL}$	Input Logic LOW Level		—	—	0.8	—	—	0.8	V
$I_{IN}$	Input Current (DI, DO, D <sub>CLK</sub> )		—	—	10	—	—	—	$\mu A$
$V_{OL}$	Logic LOW Output Voltage ( $\overline{EOC}$ )	$I_{OUT} = 250\mu A$	—	0.2	0.3	—	—	0.35	V

### ELECTRICAL CHARACTERISTICS:

**Serial Port Interface:**  $V_{CCD} = +5V$ , unless otherwise specified.

Symbol	Parameter	Test Conditions	$T_A = +25^\circ C$			$T_A = 0^\circ C \text{ to } +70^\circ C$			Unit
			Min	Typ	Max	Min	Typ	Max	
$t_R, t_F$	Rise and Fall Times ( $\overline{EOC}$ , DI, DO)	$C_L = 10pF$	—	—	250	—	250	—	nsec
$F_{XTL}$	Crystal Frequency		—	—	2.0	—	—	2.0	MHz
$F_{EXT}$	External Frequency on OSC <sub>IN</sub>		—	—	4.0	—	—	4.0	MHz
$t_{RS}$	Read Setup Time		1	—	—	—	1	—	$\mu sec$
$t_{RD}$	Read Delay Time		250	—	—	—	250	—	nsec
$t_{DRS}$	D <sub>CLK</sub> to D <sub>OUT</sub> Delay		450	—	—	—	450	—	nsec
$t_{PWL}$	D <sub>CLK</sub> LOW Pulse Width		150	—	—	—	150	—	nsec
$t_{PWH}$	D <sub>CLK</sub> HIGH Pulse Width		150	—	—	—	150	—	nsec
$t_{DR}$	Data Ready Delay		200	—	—	—	200	—	nsec

### ELECTRICAL CHARACTERISTICS:

**DC/DC Converter Section:**  $V_{DD} = +5V$ , unless otherwise specified.

Symbol	Parameter	Test Conditions	$T_A = +25^\circ C$			$T_A = 0^\circ C \text{ To } +70^\circ C$			Unit
			Min	Typ	Max	Min	Typ	Max	
$R_{OUT}$	Output Resistance	$I_{OUT} = 10mA$	—	65	85	—	—	100	$\Omega$
$f_{CLK}$	Oscillator Frequency	$C_{OSC} = 0$	—	100	—	—	—	—	kHz
$I_{OUT}$	$V_{SS}$ Output Current		—	—	10	—	—	10	mA

### ELECTRICAL CHARACTERISTICS:

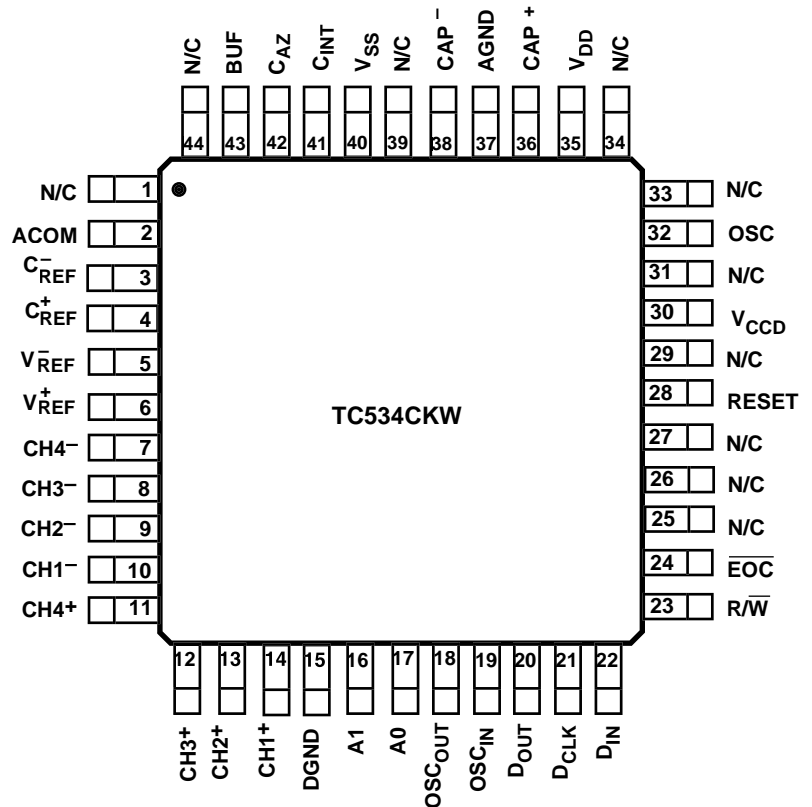
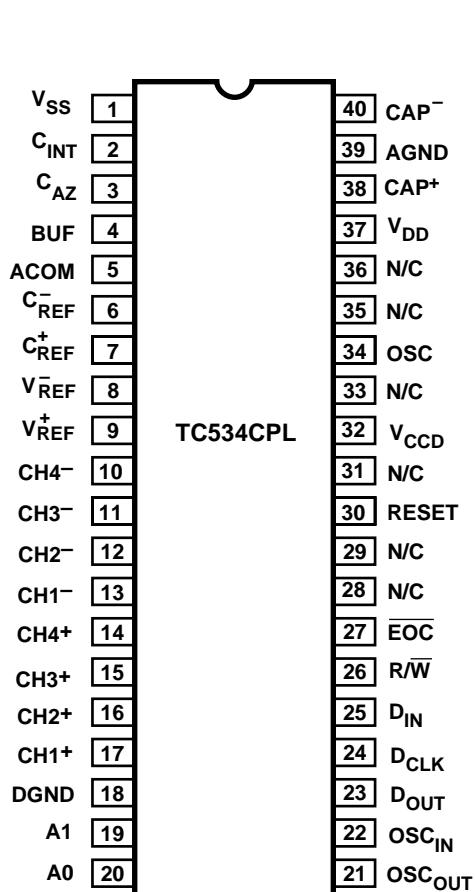
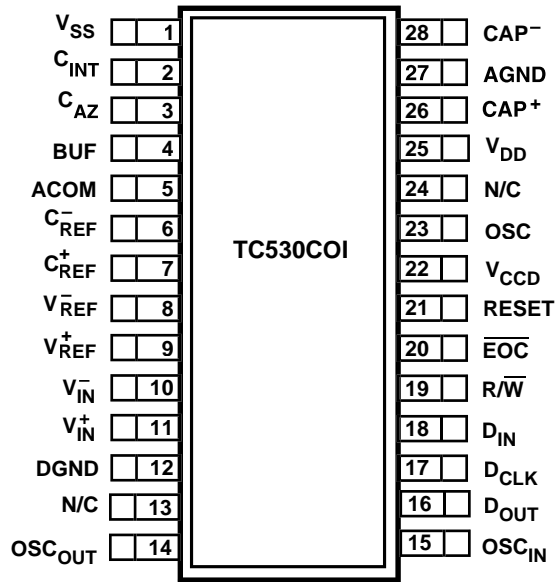
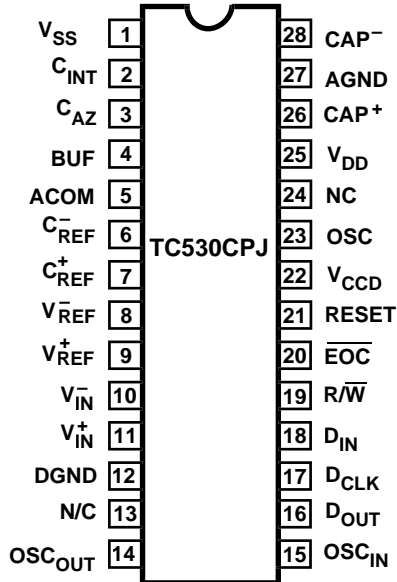
**Multiplexer:**  $V_{DD} = +5V$  (Note 4), unless otherwise specified.

Symbol	Parameter	Test Conditions	$T_A = +25^\circ C$			$T_A = 0^\circ C \text{ to } +70^\circ C$			Unit
			Min	Typ	Max	Min	Typ	Max	
$V_{INMAX}$	Maximum Input Voltage		-2.5	—	2.5	-2.5	—	2.5	V
$R_{DSON}$	Drain/Source ON Resistance		—	6	10	—	—	—	k $\Omega$

- Notes:**
1. Integrate time  $\geq 66msec$ , Auto Zero time  $\geq 66msec$ ,  $V_{INT} (pk) = 4V$ .
  2. End point linearity at  $\pm 1/4, \pm 1/2, \pm 3/4$  F.S. after full scale adjustment.
  3. Roll-over error is related to capacitor used for  $C_{INT}$  (See "Recommended Suppliers for  $C_{INT}$ ", Table 2).
  4. TC534 Only.

## TC530 TC534

### PIN CONFIGURATIONS



# 5V Precision Data Acquisition Subsystems

**TC530**  
**TC534**

## PIN DESCRIPTION

Pin No. (TC530 28-Pin PDIP, 300 Mil.)	Pin No. (TC530 28-Pin SOIC)	Pin No (TC534 40-Pin PDIP)	Pin No. (TC534 44-Pin PQFP)	Symbol	Description
1	1	1	40	V <sub>SS</sub>	Analog Output. Negative power supply converter output and reservoir capacitor connection. This output can be used to provide negative bias to other devices in the system.
2	2	2	41	C <sub>INT</sub>	Analog Output. Integrator capacitor connection and integrator output.
3	3	3	42	C <sub>AZ</sub>	Analog Input. Auto Zero capacitor connection.
4	4	4	43	BUF	Analog Output. Integrator capacitor connection and voltage buffer output.
5	5	5	2	ACOM	Analog Input. This pin is ground for all of the analog switches in the A/D converter. It is grounded for most applications. ACOM and the input common pin (V <sub>IN</sub> <sup>-</sup> or Chx <sup>-</sup> ) should be within the common mode range, CMR.
6	6	6	3	C <sub>REF</sub> <sup>-</sup>	Analog Input. Reference cap negative connection.
7	7	7	4	C <sub>REF</sub> <sup>+</sup>	Analog Input. Reference cap positive connection.
8	8	8	5	V <sub>REF</sub> <sup>-</sup>	Analog Input. External voltage reference negative connection.
9	9	9	6	V <sub>REF</sub> <sup>+</sup>	Analog Input. External voltage reference positive connection.
Not Used	Not Used	10	7	CH4 <sup>-</sup>	Analog Input. Multiplexer channel 4 negative differential analog input.
Not Used	Not Used	11	8	CH3 <sup>-</sup>	Analog Input. Multiplexer channel 3 negative differential analog input.
Not Used	Not Used	12	9	CH2 <sup>-</sup>	Analog Input. Multiplexer channel 2 negative differential analog input.
Not Used	Not Used	13	10	CH1 <sup>-</sup>	Analog Input. Multiplexer channel 1 negative differential analog input.
Not Used	Not Used	14	11	CH4 <sup>+</sup>	Analog Input. Multiplexer channel 4 positive differential analog input.
Not Used	Not Used	15	12	CH3 <sup>+</sup>	Analog Input. Multiplexer channel 3 positive differential analog input.
Not Used	Not Used	16	13	CH2 <sup>+</sup>	Analog Input. Multiplexer channel 2 positive differential analog input.
Not Used	Not Used	17	14	CH1 <sup>+</sup>	Analog Input. Multiplexer channel 1 positive differential analog input.
10	10	Not Used	Not Used	V <sub>IN</sub> <sup>-</sup>	Analog Input. Negative differential analog voltage input.
11	11	Not Used	Not Used	V <sub>IN</sub> <sup>+</sup>	Analog Input. Positive differential analog voltage input.
12	12	18	15	DGND	Analog Input. Ground connection for serial port circuit.
Not Used	Not Used	19	16	A1	Logic Level Input. Multiplexer address MSB.
Not Used	Not Used	20	17	A0	Logic Level Input. Multiplexer address LSB.
14	14	21	18	OSC <sub>OUT</sub>	Analog Input. Timebase for state machine. This pin connects to one side of an AT-cut crystal having an effective series resistance of 100Ω (typ) and a parallel capacitance of 20pF. If an external frequency source is used to clock the TC530/534, this pin must be left floating.

## 5V Precision Data Acquisition Subsystems

### TC530 TC534

#### PIN DESCRIPTION (Cont.)

Pin No. (TC530 28-Pin PDIP, 300 Mil.)	Pin No. (TC530 28-Pin SOIC)	Pin No (TC534 40-Pin PDIP)	Pin No. (TC534 44-Pin PQFP)	Symbol	Description
15	15	22	19	OSC <sub>IN</sub>	Analog Input. This pin connects to the other side of the crystal described in OSC <sub>OUT</sub> above. The TC530/534 may also be clocked from an external frequency source connected to this pin. The external frequency source must be a pulse wave form with a minimum 30% duty cycle and rise and fall times 15nsec (Max). If an external frequency source is used, OSC <sub>OUT</sub> must be left floating. A maximum operating frequency of 2MHz (crystal) or 4MHz (external clock source) is permitted.
16	16	23	20	D <sub>OUT</sub>	Logic Level Output. Serial port data output pin. This pin is enabled only when R/W is high.
17	17	24	21	D <sub>CLK</sub>	Logic Input, Positive and Negative Edge Triggered. Serial port clock. When R/W is high, serial data is clocked out of the TC530/534A (on D <sub>OUT</sub> ) at each HIGH-to-LOW transition of D <sub>CLK</sub> . A/D initialization data (LOAD VALUE) is clocked into the TC530/534 (on D <sub>IN</sub> ) at each LOW-to-HIGH transition of D <sub>CLK</sub> . A maximum serial port D <sub>CLK</sub> frequency of 3MHz is permitted.
18	18	25	22	D <sub>IN</sub>	Logic Level Input. Serial port input pin. The A/D converter integration time (T <sub>INT</sub> ) and Auto Zero time (T <sub>AZ</sub> ) values are determined by the LOAD VALUE byte clocked into this pin. This initialization must take place at power up, and can be rewritten (or modified and rewritten) at any time. The LOAD VALUE is clocked into D <sub>IN</sub> MSB first.
19	19	26	23	R/W	Logic Level Input. This pin must be brought low to perform a write to the serial port (e.g. initialize the A/D converter). The D <sub>OUT</sub> pin of the serial port is enabled only when this pin is high.
20	20	27	24	E <sub>OC</sub>	Open Drain Output. End-of-Conversion (E <sub>OC</sub> ) is asserted any time the TC530/534 is in the AZ phase of conversion. This occurs when either the TC530/534 initiates a normal AZ phase, or when RESET is pulled high. E <sub>OC</sub> is returned high when the TC530/534 exits AZ. Since E <sub>OC</sub> is driven low immediately following completion of a conversion cycle, it can be used as a DATA READY processor interrupt.
21	21	30	28	RESET	Logic Level Input. It is necessary to force the TC530/534 into the Auto Zero phase when power is initially applied. This is accomplished by momentarily taking RESET high. Using an I/O port line from the microprocessor, or by applying an external system reset signal, or by connecting a 0.01μF capacitor from the RESET input to V <sub>SS</sub> .

Conversions are performed continuously as long as RESET is low and conversion is halted when RESET is high. RESET may therefore be used in a complex system to momentarily suspend conversion (for example while the address lines of an input multiplexer are changing state). In this case, RESET should be pulled high only when the EOC is LOW to avoid excessively long integrator discharge times which could result in erroneous conversion (see *Applications* Section).

### PIN DESCRIPTION (Cont.)

Pin No. (TC530 28-Pin PDIP, 300 Mil.)	Pin No. (TC530 28-Pin SOIC)	Pin No. (TC534 40-Pin PDIP)	Pin No. (TC534 44-Pin PQFP)	Symbol	Description
22	22	32	30	V <sub>CCD</sub>	Analog Input. Power supply connection for digital logic and serial port. Proper power-up sequencing is critical, see the <i>Applications</i> section.
23	23	34	32	OSC	Input. The negative power supply converter normally runs at a frequency of 100kHz. This frequency can be slowed down to reduce quiescent current by connecting an external capacitor between this pin and V <sub>S</sub> <sup>-</sup> . (See <i>Typical Characteristics</i> ).
25	25	37	35	V <sub>DD</sub>	Analog Input. Power supply connection for the A/D analog section and DC-DC converter. Proper power-up sequencing is critical, see the <i>Applications</i> section.
26	26	38	36	CAP <sup>+</sup>	Analog Input. Storage capacitor positive connection for the DC/DC converter.
27	27	39	37	AGND	Analog Input. Ground connection for DC/DC converter.
28	28	40	38	CAP <sup>-</sup>	Analog Input. Storage capacitor negative connection for the DC/DC converter.
13, 24	13, 24	28, 29, 31, 33, 35, 36	1, 25, 26, 27, 29, 31, 33, 34, 39, 44,	NC	No connect. Do not connect any signal to these pins.

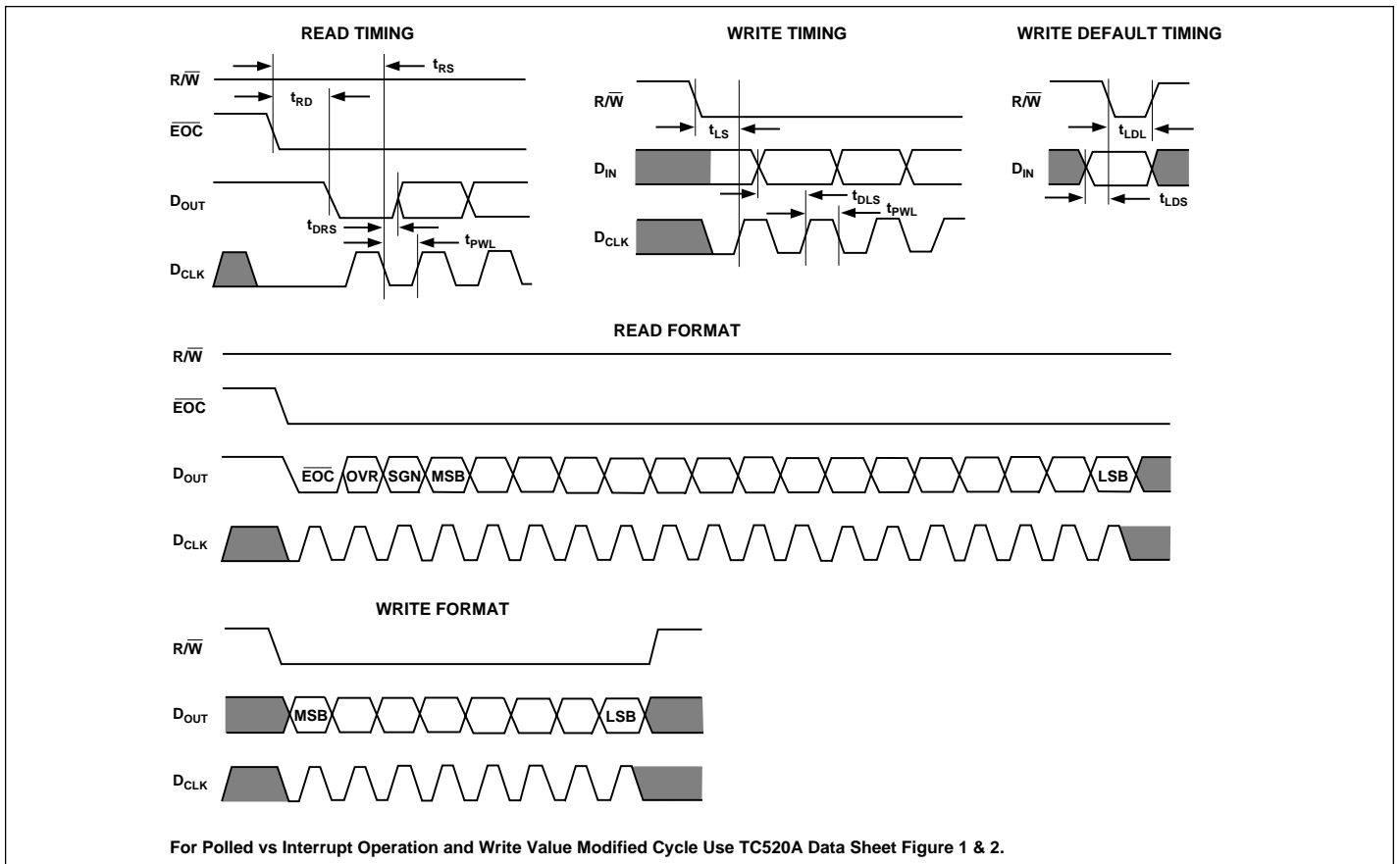


Figure 1. Serial Port Timing

## TC530 TC534

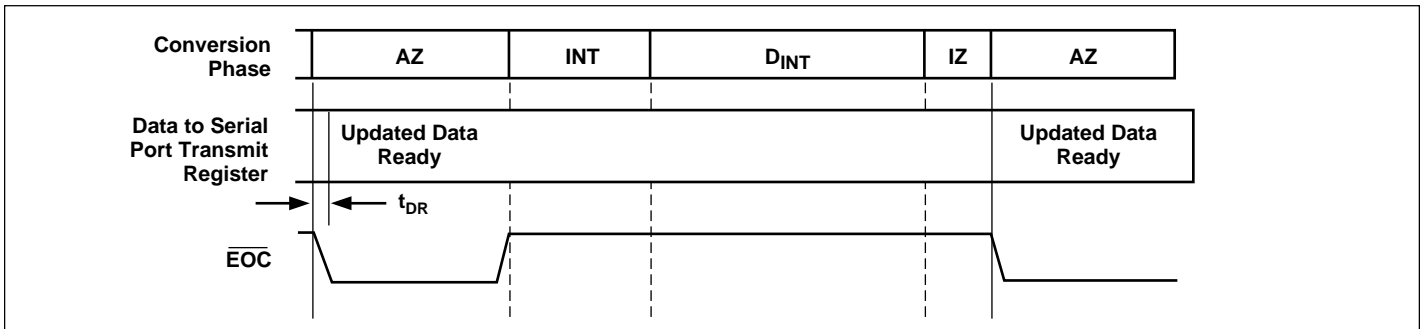


Figure 2. A/D Converter Timing

### DETAILED DESCRIPTION

#### Dual Slope Integrating Converter

The TC530/534 dual slope converter operates by integrating the input signal for a fixed time period, then applying an opposite polarity reference voltage while timing the period (counting clock pulses) for the integrator output to cross 0V (deintegrating). The resulting count is read as conversion data.

A simple mathematical expression that describes dual slope conversion is:

$$(1) \text{ Integrate Voltage} = \text{Deintegrate Voltage}$$

$$(2) \frac{1}{R_{INT}C_{INT}} \int_0^{t_{INT}} V_{IN}(t) dt = \frac{1}{R_{INT}C_{INT}} \int_0^{t_{DINT}} V_{REF} dt$$

from which:

$$(3) (V_{IN}) \left[ \frac{(t_{INT})}{(R_{INT})(C_{INT})} \right] = (V_{REF}) \left[ \frac{(t_{DINT})}{(R_{INT})(C_{INT})} \right]$$

and therefore:

$$(4) V_{IN} = V_{REF} \left[ \frac{t_{DINT}}{t_{INT}} \right]$$

where:  $V_{REF}$  = Reference Voltage  
 $t_{INT}$  = Integrate Time  
 $t_{DINT}$  = Reference Voltage Deintegrate Time

Inspection of equation (4) shows dual slope converter accuracy is unrelated to integrating resistor and capacitor values, as long as they are stable throughout the measurement cycle. This measurement technique is inherently ratiometric (i.e., the ratio between the  $t_{INT}$  and  $t_{DINT}$  times is equal to the ratio between  $V_{IN}$  and  $V_{REF}$ ).

Another inherent benefit is noise immunity. Input noise spikes are integrated (or averaged to zero) during the integration period. The integrating converter has a noise immunity with an attenuation rate of at least  $-20\text{dB}$  per decade. Interference signals with frequencies at integral multiples of the integration period are, for the most part, completely removed. For this reason, the integration period of the converter is often established to reject 50/60Hz line noise. The ability to reject such noise is shown by the plot of Figure 3.

In addition to the two phases required for dual slope measurement (Integrate and Deintegrate), the TC530/534 performs two additional adjustments to minimize measurement error due to system offset voltages. The resulting four internal operations (conversion phases) performed each measurement cycle are: Auto Zero (AZ), Integrator Output Zero (IZ), Input Integrate (INT) and Reference Deintegrate ( $D_{INT}$ ). The AZ and IZ phases compensate for system offset errors and the INT and  $D_{INT}$  phases perform the actual A/D conversion.

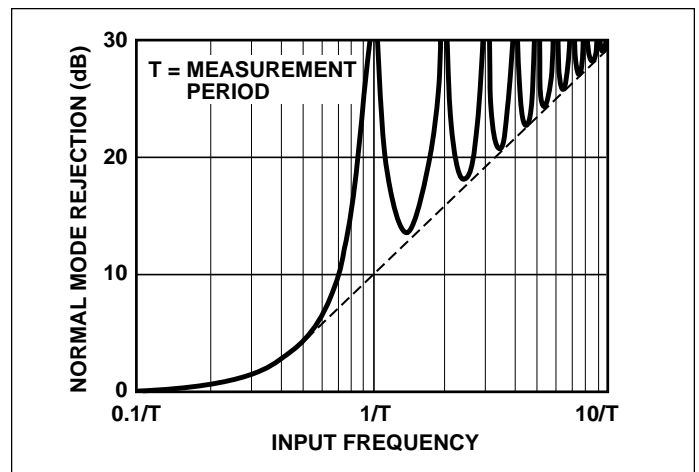


Figure 3. Integrating Converter Normal Mode Rejection



### Auto Zero Phase (AZ)

This phase compensates for errors due to buffer, integrator and comparator offset voltages. During this phase, an internal feedback loop forces a compensating error voltage on auto zero capacitor ( $C_{AZ}$ ). The duration of the AZ phase is programmable via the serial port (see also Programming AZ and INT Phase Duration paragraph of this document).

### Input Integrate Phase (INT)

In this phase, a current directly proportional to differential input voltage is sourced into integrating capacitor  $C_{INT}$ . The amount of voltage stored on  $C_{INT}$  at the end of the INT phase is directly proportional to the applied differential input voltage. Input signal polarity (sign bit) is determined at the end of this phase. Converter resolution and conversion speed is a function of the duration of the INT phase, which is programmable by the user via the serial port (see also Programming AZ and INT Phase Duration paragraph of this document). The shorter the integration time, the faster the speed of conversion, but the lower the resolution. Conversely, the longer the integration time, the greater the resolution, but at slower the speed of conversion.

### Reference Deintegrate Phase (DINT)

This phase consists of measuring the time for the integrator output to return (at a rate determined by the external reference voltage) from its initial voltage to 0V. The resulting timer data is stored in the output shift register as converted analog data.

### Integrator Output Zero Phase (IZ)

This phase guarantees the integrator output is at zero volts when the AZ phase is entered so that only true system offset voltages will be compensated for.

All internal converter timing is derived from the frequency source at  $OSC_{IN}$  and  $OSC_{OUT}$ . This frequency source must be either an externally provided clock signal, or an external crystal. If an external clock is used, it must be connected to the  $OSC_{IN}$  pin and the  $OSC_{OUT}$  pin must remain floating. If a crystal is used, it must be connected between  $OSC_{IN}$  and  $OSC_{OUT}$  and physically located as close to the  $OSC_{IN}$  and  $OSC_{OUT}$  pins as possible. In either case, the incoming clock frequency is divided by four and the resulting clock serves as the internal TC530/534 timebase.

## APPLICATIONS

### Programming the TC530/534

#### AZ and INT Phase Duration:

These two phases have equal duration determined by the crystal (or external) frequency and the timer initialization byte (LOAD VALUE). Timing is selected as follows:

#### (1) Select Integration Time

Integration time must be picked as a multiple of the period of the line frequency. For example,  $t_{INT}$  times of 33msec, 66msec and 132msec maximize 60Hz line rejection.

#### (2) Estimate Crystal Frequency

Crystal frequencies as high as 2MHz are allowed. Crystal frequency is estimated using:

$$F_{IN} = \frac{2(R)}{t_{INT}}$$

where: R = Desired Converter Resolution (in counts)

$F_{IN}$  = Input Frequency (in MHz)

INT = Integration Time (in seconds)

#### (3) Calculate LOAD VALUE

$$[LOAD\ VALUE]_{10} = 256 - \frac{(t_{INT})(F_{IN})}{1024}$$

$F_{IN}$  can be adjusted to a standard value during this step. The resulting base -10 LOAD VALUE must be converted to a hexadecimal number, then loaded into the serial port prior to initiating A/D conversion.

### D<sub>INT</sub> and IZ Phase Timing

The duration of the  $D_{INT}$  phase is a function of the amount of voltage stored on the integrator capacitor during INT, and the value of  $V_{REF}$ . The  $D_{INT}$  phase is initiated immediately following INT and terminated when an integrator output zero-crossing is detected. In general, the maximum number of counts chosen for  $D_{INT}$  is twice that of INT (with  $V_{REF}$  chosen at  $V_{IN(max)}/2$ ).

### System RESET

The TC530/534 must be forced into the AZ state when power is first applied. A .01 $\mu$ F capacitor connected from RESET to  $V_{CC}$  (or external system reset logic signal) can be used to momentarily drive RESET high for a minimum of 100msec.

### Selecting Component Values for the TC530/534

#### (1) Calculate Integrating Resistor ( $R_{INT}$ )

The desired full-scale input voltage and amplifier output current capability determine the value of  $R_{INT}$ . The buffer and integrator amplifiers each have a full-scale current of 20 $\mu$ A.

The value of  $R_{INT}$  is therefore directly calculated as follows:

## TC530 TC534

$$R_{INT} (M\Omega) = \frac{V_{INMAX}}{20}$$

where:  $V_{INMAX}$  = Maximum Input Voltage (full count voltage)  
 $R_{INT}$  = Integrating Resistor (in  $M\Omega$ )

For loop stability,  $R_{INT}$  should be  $\geq 50k\Omega$ .

### (2) Select Reference ( $C_{REF}$ ) and Auto Zero ( $C_{AZ}$ ) Capacitors

$C_{REF}$  and  $C_{AZ}$  must be low leakage capacitors (such as polypropylene). The slower the conversion rate, the larger the value  $C_{REF}$  must be. Recommended capacitors for  $C_{REF}$  and  $C_{AZ}$  are shown in Table 1. Larger values for  $C_{AZ}$  and  $C_{REF}$  may also be used to limit roll-over errors.

**Table 1.  $C_{REF}$  and  $C_{AZ}$  Selection**

Conversions Per Second	Typical Value of $C_{REF}$ , $C_{AZ}$ ( $\mu F$ )	Suggested * Part Number
>7	0.1	WIMA MK12 .1/63/20
2 to 7	0.22	WIMA MK12 .22/63/20
2 or less	0.47	WIMA MK12 .47/63/20

\*WIMA Corp. listing on the last page of this data sheet.

### 3. Calculate Integrating Capacitor ( $C_{INT}$ )

The integrating capacitor must be selected to maximize integrator output voltage swing. The integrator output voltage swing is defined as the absolute value of  $V_{DD}$  (or  $V_{SS}$ ) less 0.9V (i.e.  $|V_{DD} - 0.9V|$  or  $|V_{SS} + 0.9V|$ ). Using the 20 $\mu A$  buffer maximum output current, the value of the integrating capacitor is calculated using the following equation:

$$C_{INT} (\mu F) = \frac{(t_{INT})(20)}{(V_S - 0.9)}$$

where:  $t_{INT}$  = Integration Period  
 $V_S$  = Applied Supply Voltage  
 $C_{INT}$  = Integrator Capacitor Value (in  $\mu F$ )

It is critical that the integrating capacitor have a very low dielectric absorption. PPS capacitors are an example of one such chemistry. Table 2 summarizes various capacitors suitable for  $C_{INT}$ .

**Table 2. Recommend Capacitor for  $C_{INT}$**

Value	Suggested Part Number*
0.1	WIMA MK12 .1/63/20
0.22	WIMA MK12 .22/63/20
0.33	WIMA MK12 .33/63/20
0.47	WIMA MK12 .47/63/20

\*WIMA Corp. listing on the last page of this data sheet.

### 4. Calculate $V_{REF}$

The reference deintegration voltage is calculated using:

$$V_{REF} (\text{in Volts}) = \frac{(V_S - 0.9)(C_{INT})(R_{INT})}{2(t_{INT})}$$

### Serial Port

Communication with the TC530/534 is accomplished over a 3 wire serial port. Data is clocked into  $D_{IN}$  on the rising edge of  $D_{CLK}$  and clocked out of  $D_{OUT}$  on the falling edge of  $D_{CLK}$ .  $R/\bar{W}$  must be HIGH to read converted data from the serial port and LOW to write the LOAD VALUE to the TC530/534.

### Load Value Write Cycle (Figure 4)

Following the power-up reset pulse, the LOAD VALUE (which sets the duration of AZ and INT) must next be transmitted to the serial port. To accomplish this, the processor monitors the state of  $\bar{EOC}$  (which is available as a hardware output or at  $D_{OUT}$ ).  $R/\bar{W}$  is taken low to initiate the write cycle only when  $\bar{EOC}$  is low (during the AZ phase). (Failure to observe  $\bar{EOC}$  low may cause an offset voltage to be developed across  $C_{INT}$  resulting in erroneous readings). The 8 bit LOAD VALUE data on  $D_{IN}$  is clocked in by  $D_{CLK}$ . The processor then terminates the write cycle by taking  $R/\bar{W}$  high. (Data is transferred from the serial input shift register to the time base counter on the rising edge of  $R/\bar{W}$ , and data conversion is initiated).

### Data Read Cycle (Figure 5)

Data is shifted out of the serial port in the following order: End of Conversion ( $\bar{EOC}$ ), Overrange (OVR), Sign (SGN), conversion data (MSB first). When  $R/\bar{W}$  is high, the state of the  $\bar{EOC}$  bit can be polled by simply reading the state of  $D_{OUT}$ . This allows the processor to determine if new data is available without connecting an additional wire to the  $\bar{EOC}$  output pin (this is especially useful in a polled environment).

### Input Multiplexer (TC534 Only)

A 4 input, differential multiplexer is included in the TC534. The states of channel address lines A0 and A1 determine which differential  $V_{IN}$  pair is routed to the converter input. A0 is the least significant address bit (i.e.,

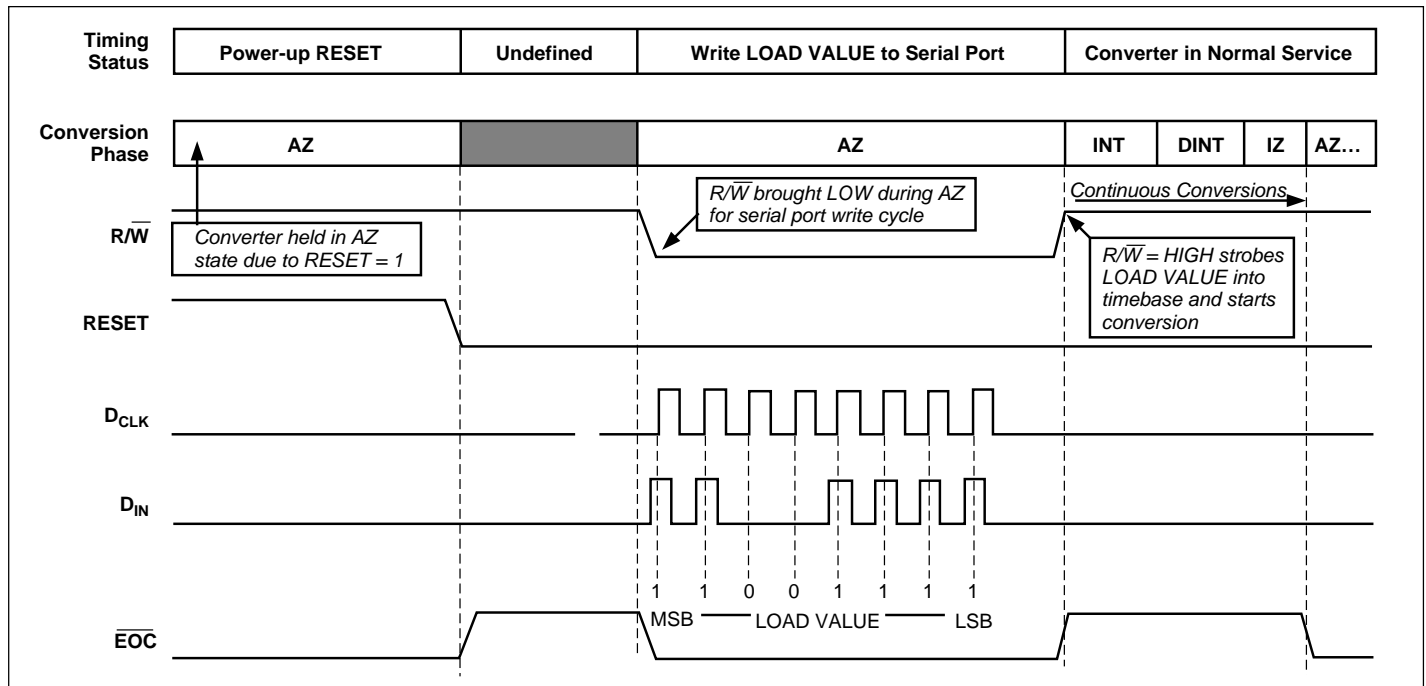


Figure 4. TC530/534 Initialization and Load Value Write Cycle

channel 1 is selected when  $A0 = 1$  and  $A1 = 0$ ). The multiplexer is designed to be operated in a differential mode. For single-ended inputs, the  $CHx^-$  input for the channel under selection must be connected to the ground reference associated with the input signal.

The charge pump clock operates at a typical frequency of 100kHz. If lower quiescent current is desired, the charge pump clock can be slowed by connecting an external capacitor from the OSC pin to  $V_{DD}$ . Reference typical characteristics curves.

## APPLICATIONS

### Design Example

Figure 6 shows a typical TC534 interrupt-driven application. Timing and component values are calculated from equations and recommendations made in the Dual Slope Integrating Converter and Programming the TC530/534 sections of this document. The EOC connection to the processor INT input is for interrupt-driven applications only. (In polled systems, the EOC output is available on  $D_{OUT}$ ).

#### GIVEN

- REQUIRED RESOLUTION: 16 Bits (65,536 counts.)
- MAXIMUM  $V_{IN}$ :  $\pm 2V$
- POWER SUPPLY VOLTAGE: +5V
- 60Hz SYSTEM
- 1. **Pick Integration time ( $t_{INT}$ )**  
66msec
- 2. **Estimate crystal frequency**  
 $F_{IN} = 2R/t_{INT} = 2 \times 65536/66 \times 10^{-3} = 1.98MHz$   
(use 2MHz)

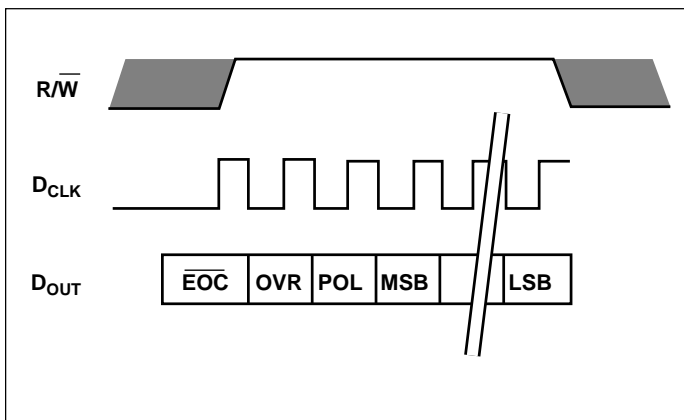


Figure 5. Serial Port Data Read Cycle

### DC/DC Converter

An on-board, TC7660H-type charge pump supplies negative bias to the converter circuitry, as well as to external devices. The charge pump develops a negative output voltage by moving charge from the power supply to the reservoir capacitor at  $V_{SS}$  by way of the commutating capacitor connected to the  $CAP^+$  and  $CAP^-$  inputs.

## TC530 TC534

### 3. Calculate LOAD VALUE

$$\text{LOAD VALUE} = 256 - (t_{\text{INT}})(F_{\text{IN}})/1024 = [128]_{10}$$

$$[128]_{10} = \underline{80 \text{ hex}}$$

### 4. Calculate R<sub>INT</sub>

$$R_{\text{INT}} \text{ (in } \Omega) = V_{\text{INMAX}}/20 = 2/20 = \underline{100\text{k}\Omega}$$

### 5. Calculate C<sub>INT</sub> for maximum (4V) integrator output swing

$$C_{\text{INT}} \text{ (in } \mu\text{F}) = (t_{\text{INT}})(20 \times 10^{-6}) / (V_S - 0.9)$$

$$= (.066)(20 \times 10^{-6}) / (4.1)$$

$$= .32\mu\text{F} \text{ (use closest value: } \underline{0.33\mu\text{F}})$$

NOTE: Microchip recommended capacitor:

WIMA p/n: MK12 .33/63/10

### 6. Choose C<sub>REF</sub> and C<sub>AZ</sub> based on conversion rate

$$\text{Conversions/sec} = 1 / (t_{\text{AZ}} + t_{\text{INT}} + 2t_{\text{INT}} + 2\text{msec})$$

$$= 1 / (66\text{msec} + 66\text{msec} + 132\text{msec} + 2\text{msec})$$

$$= \underline{3.7 \text{ conversions/sec}}$$

from which C<sub>AZ</sub> = C<sub>REF</sub> = 0.22μF (see Table 1)

NOTE: Microchip recommended capacitor:

WIMA p/n: MK12 .22/63/10

### 7. Calculate V<sub>REF</sub>

$$V_{\text{REF}} \text{ (in Volts)} = (V_S - 0.9)(C_{\text{INT}})(R_{\text{INT}})$$

$$= \frac{2(t_{\text{INT}})}{(4.1)(0.33 \times 10^{-6})(10^5) / 2(.066)}$$

$$= \underline{1.025V}$$

## Power Supply Sequencing

Improper sequencing of the power supply inputs (V<sub>DD</sub> vs. V<sub>CCD</sub>) can potentially cause an improper power-up sequence to occur. See *Circuit Design/Layout Considerations* below. Failing to insure a proper power-up sequence can cause spurious operation.

## Circuit Design/Layout Considerations

(1) Separate ground return paths should be used for the analog and digital circuitry. Use of ground planes and trace fill on analog circuit sections is highly recommended *EXCEPT* for in and around the integrator section and C<sub>REF</sub>, C<sub>AZ</sub>, (C<sub>INT</sub>, C<sub>REF</sub>, C<sub>AZ</sub>, R<sub>INT</sub>). Stray capacitance between these nodes and ground appears in parallel with the components themselves and can affect measurement accuracy.

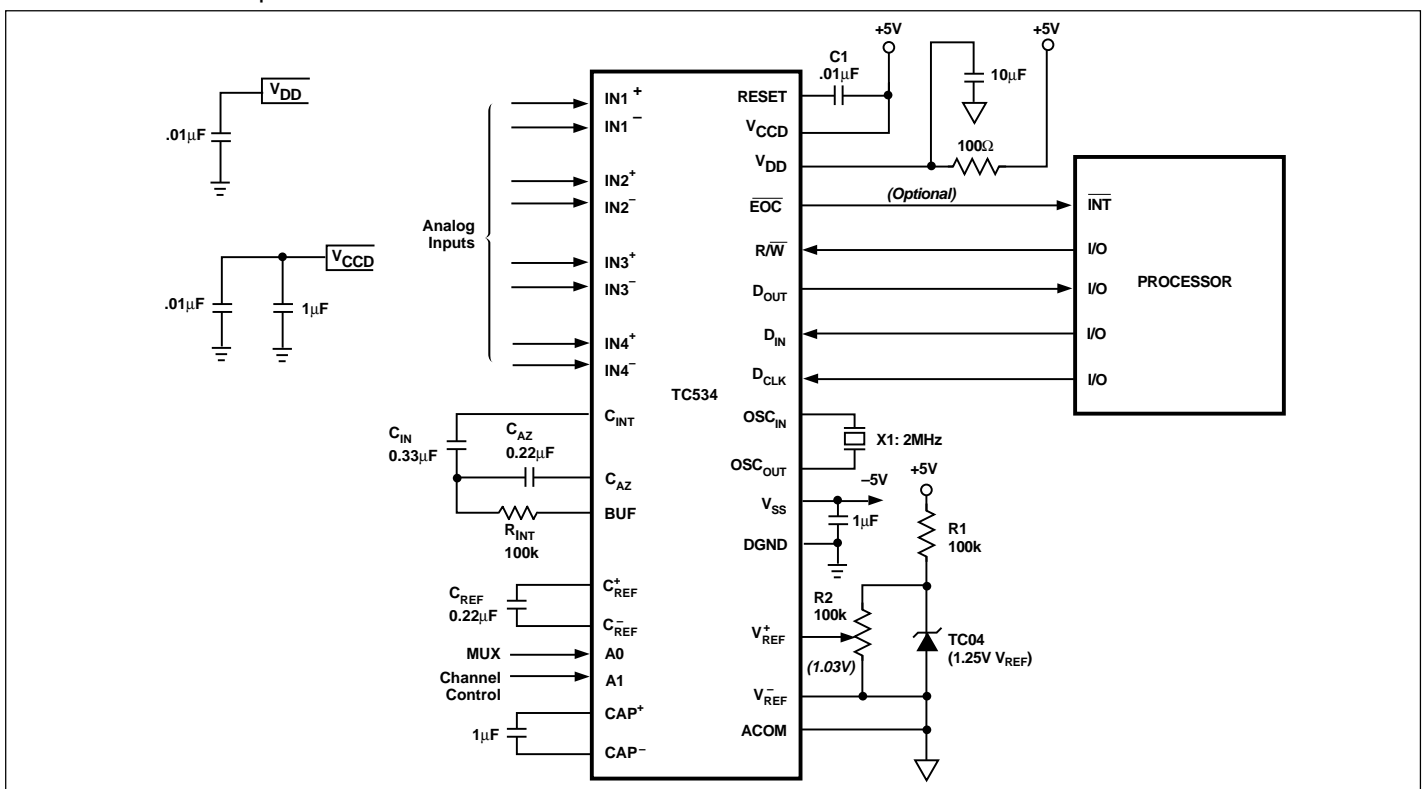


Figure 6. TC530/534 Typical Application

(2) Improper sequencing of the power supply inputs ( $V_{DD}$  vs.  $V_{CCD}$ ) can potentially cause an improper power-up sequence to occur in the internal state machines. It is recommended that the digital supply,  $V_{CCD}$ , be powered up first. One method of insuring the correct power-up sequence is to delay the analog supply using a series resistor and a capacitor. See Figure 6, TC530/534 Typical Application.

(3) Decoupling capacitors, preferably a higher value electrolytic or tantalum in parallel with a small ceramic or tantalum, should be used liberally. This includes bypassing the supply connections of all active components and the voltage reference.

(4) Critical components should be chosen for stability and low noise. The use of a metal-film resistor for  $R_{INT}$  and Polypropylene or Polyphenylene Sulfide (PPS) capacitors for  $C_{INT}$ ,  $C_{AZ}$ , and  $C_{REF}$  is highly recommended.

(5) The inputs and integrator section are very high impedance nodes. Leakage to or from these critical nodes can contribute measurement error. A guard-ring should be used to protect the integrator section from stray leakage.

(6) Circuit assemblies should be scrupulously clean to prevent the presence of contamination from assembly, handling, or the cleaning itself. Minutely conductive trace contaminants, easily ignored in most applications, can adversely affect the performance of high impedance circuits. The input and integrator sections should be made as compact and close to the TC53x as possible.

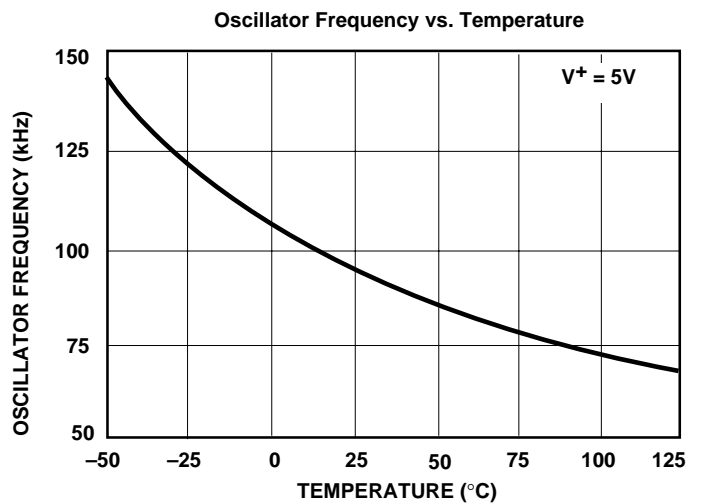
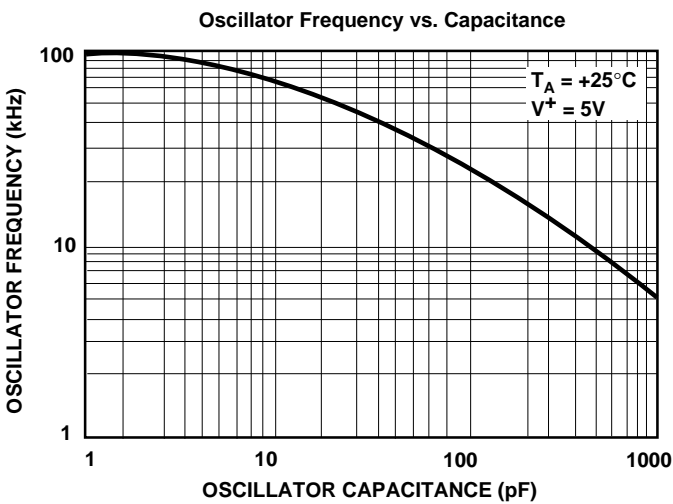
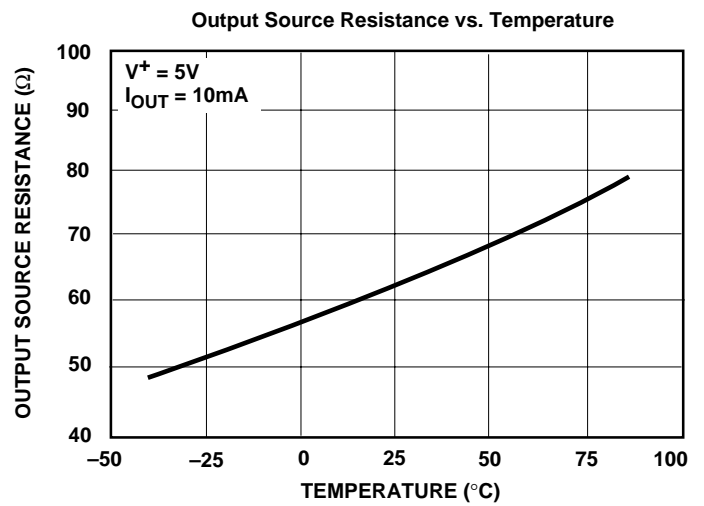
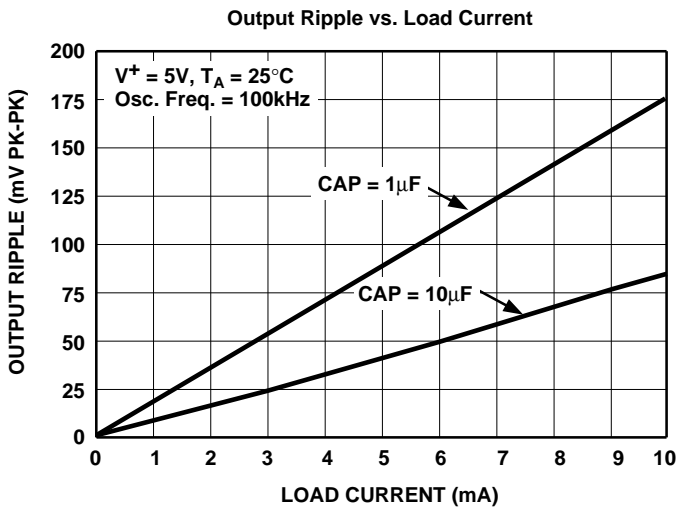
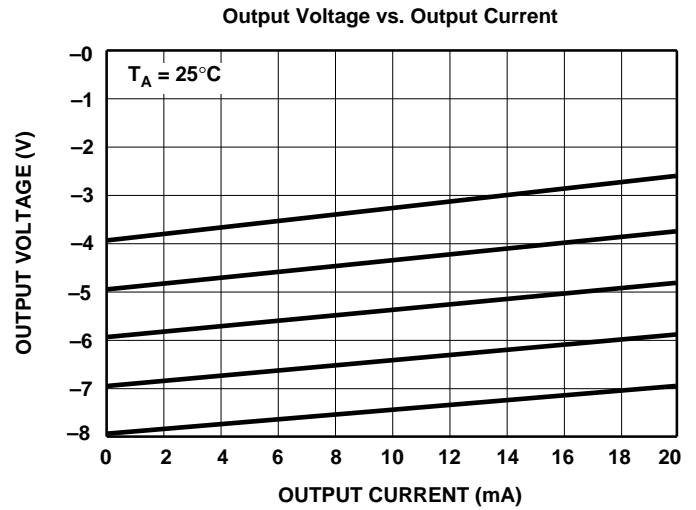
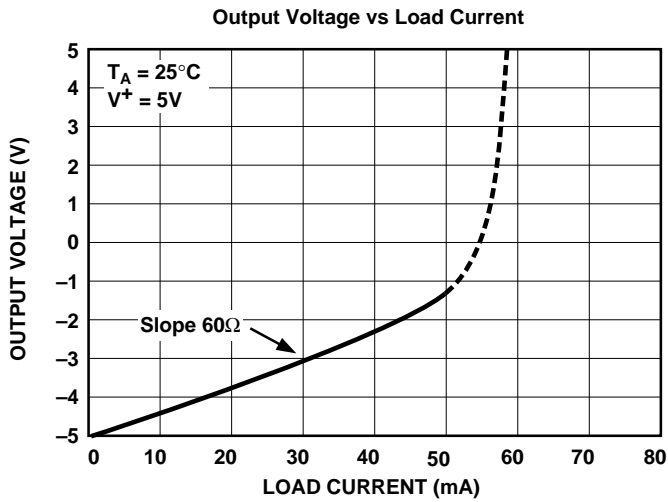
(7) Digital and other dynamic signal conductors should be kept as far from the TC53x's analog section as possible. The microcontroller or other host logic should be kept quiet during a measurement cycle. Background activities such as keypad scanning, display refreshing, and power switching can introduce noise.

### TC530EV Evaluation Kit

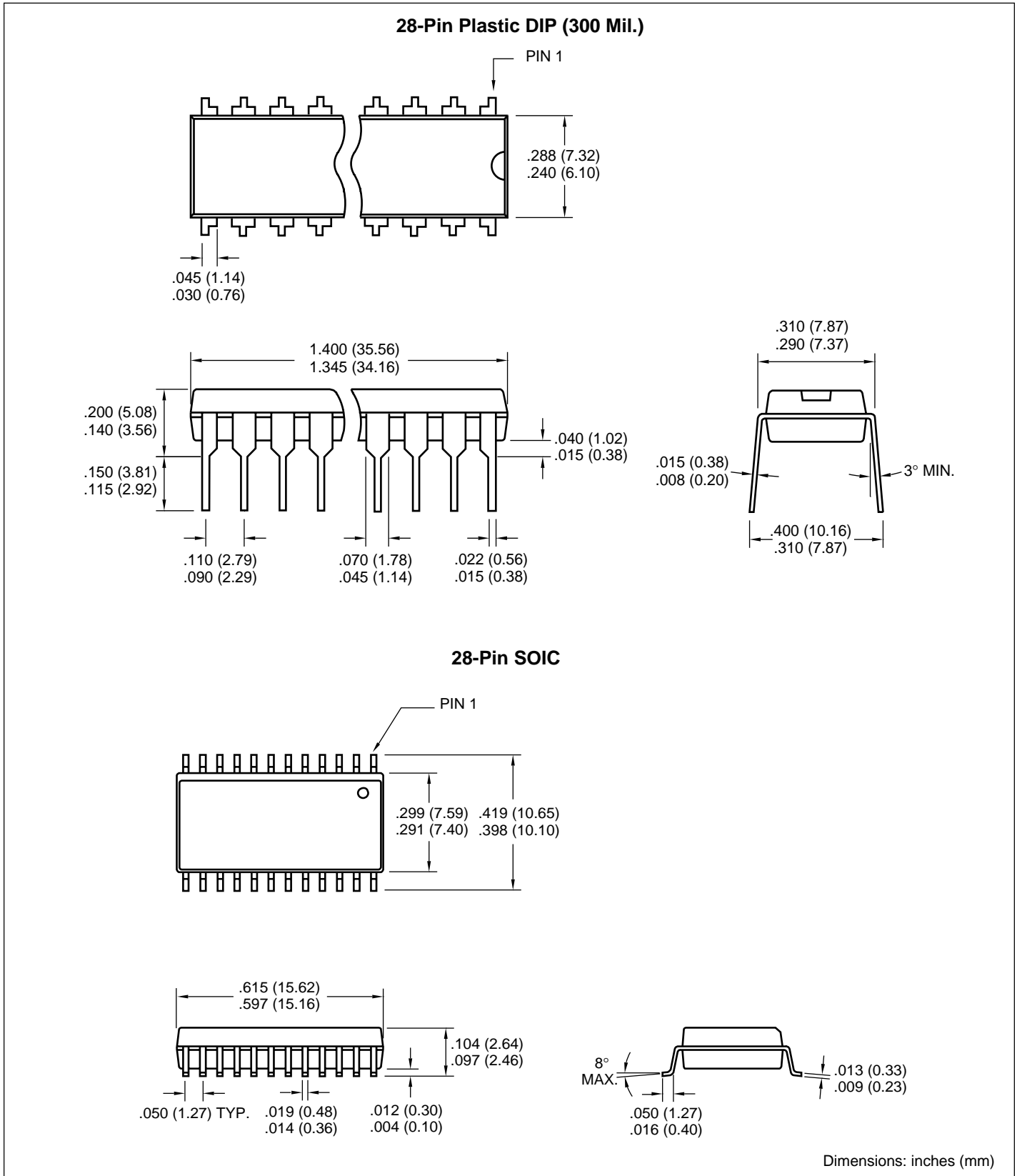
The TC530EV consists of a 4" x 6" pre-assembled circuit board that connects to the serial port of any PC or dumb terminal. Also included is a Windows<sup>TM</sup> Excel<sup>TM</sup>-based design utility that calculates component and LOAD values based on user input, and prints a finished circuit schematic. Please contact your local Microchip representative for more information, or point your web browser to <http://www.Microchip.com>.

## TC530 TC534

### TYPICAL CHARACTERISTICS

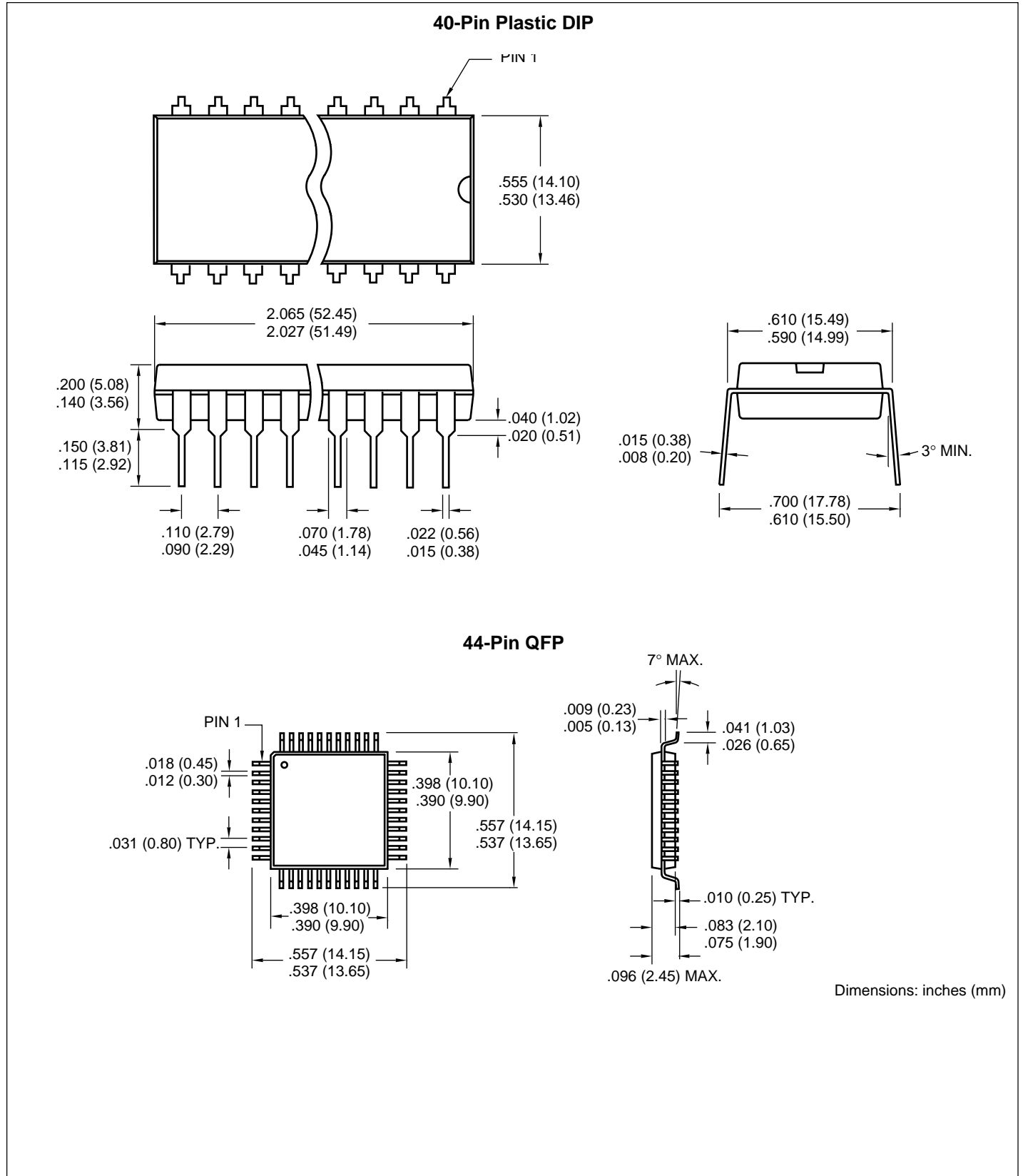


### PACKAGE DIMENSIONS



## TC530 TC534

### PACKAGE DIMENSIONS (Cont.)





## WIMA Corporation Capacitor Representatives (Tables 1 and 2)

**Australia:**

**ADILAM ELECTRONICS (PTY.) LTD.**  
P.O. Box 664  
3 Nicole Close  
Bayswater 3153  
Tel.: 3-7 61 44 66  
Fax: 3-7 61 41 61

**Canada:**

**R-THETA INC.**  
130 Matheson Blvd. East, Unit 2  
Mississauga, Ont. L4Z1Y6  
Tel.: 9 05-8 90-02 21  
Fax: 9 05-8 90-16 28

**Hong Kong:**

**REALTRONICS CO. LTD.**  
E-3, Hung-On Building  
2, King's Road  
Tel.: 25 70 11 51  
Fax: 28 06 84 74

**India:**

**SUSAN AGENCIES**  
P.O. Box 2138  
Srirampuram P.O.  
Bangalore-560 021  
Tel.: 0 80-3 32 06 62  
Fax: 0 80-3 32 43 38

**Israel:**

**M.G.R. TECHNOLOGY**  
P.O. Box 2229  
Rehavot 76121  
Tel.: 9 72-8-41 17 19  
Fax: 9 72-8-41 41 78

**Japan:**

**UNIDUX INC.**  
5-1-21, Kyonan-Cho  
Musashino-Shi  
Tokyo 180  
Tel.: 04 22-32-41 11  
Fax: 04 22-32-03 31

**Malaysia:**

**MA ELECTRONICS (M) SDN BHD**  
346-B Jalan Jelutong  
11600 Penang  
Tel.: 6 04-2 81 45 18  
Fax: 6 04-2 81 45 15

**Singapore:**

**MICROTRONICS ASSOC. (PTE.) LTD.**  
8, Lorong Bakar Batu  
03-01, Kolam Ayer Ind. Park  
Singapore 1334  
Tel.: 65-7 48-18 35  
Tlx: 34 929  
Fax: 65-7 43-30 65

**South Africa:**

**KOPP ELECTRONICS LIMITED**  
P.O. Box 3853  
2128 Rivonia  
Tel.: 0 11-4 44-23 33  
Fax: 0 11-4 44-17 06

**South Korea:**

**YONG JUN ELECTRONIC CO.**  
#201, Sungwook Bldg.  
1460-16, Seocho-Dong  
Seocho-Ku  
Seoul, Korea  
Tel.: 2-52 31 80 02  
Fax: 2-5 23 18 03

**Taiwan, R.O.C.:**

**SOLOMON TECHNOLOGY CORP.**  
7th Floor No. 2  
Lane 47, Sec. 3  
Nan Kang Road  
Taipei  
Tel.: 8 86-2-7 88 89 89  
Fax: 8 86-2-7 88 82 75

**Thailand:**

**MICROTRONICS THAI LTD.**  
50/68 T.T. Court  
Cheng Wattana Road  
Amphur Pak-Kreed  
Nonthaburi 11120  
Tel.: 6 62-5 84 58 07, Ext. 102  
Fax: 6 62-5 83 37 75

**USA:**

**THE INTER-TECHNICAL GROUP, INC.**  
**WIMA DIVISION**  
175 Clearbrook Road  
P.O. Box 535  
Elmsford, NY 10523-0535  
Tel.: 914-347-2474  
Fax: 914-347-7230

**TAW ELECTRONICS, INC.**

4215, W. Burbank, Blvd.  
Burbank, CA, 91505  
Tel.: 8 18-8 46-39 11  
Fax: 8 18-8 46-11 94

**Venezuela:**

**MAGNETICA, S.A.**  
Apartado 78117  
Caracas 1074 A  
Tel.: 58-2-2 41 75 09  
Fax: 58-2-2 41 55 42



## WORLDWIDE SALES AND SERVICE

### AMERICAS

#### Corporate Office

2355 West Chandler Blvd.  
Chandler, AZ 85224-6199  
Tel: 480-792-7200 Fax: 480-792-7277  
Technical Support: 480-792-7627  
Web Address: <http://www.microchip.com>

#### Rocky Mountain

2355 West Chandler Blvd.  
Chandler, AZ 85224-6199  
Tel: 480-792-7966 Fax: 480-792-7456

#### Atlanta

500 Sugar Mill Road, Suite 200B  
Atlanta, GA 30350  
Tel: 770-640-0034 Fax: 770-640-0307

#### Austin

Analog Product Sales  
8303 MoPac Expressway North  
Suite A-201  
Austin, TX 78759  
Tel: 512-345-2030 Fax: 512-345-6085

#### Boston

2 Lan Drive, Suite 120  
Westford, MA 01886  
Tel: 978-692-3848 Fax: 978-692-3821

#### Boston

Analog Product Sales  
Unit A-8-1 Millbrook Tarry Condominium  
97 Lowell Road  
Concord, MA 01742  
Tel: 978-371-6400 Fax: 978-371-0050

#### Chicago

333 Pierce Road, Suite 180  
Itasca, IL 60143  
Tel: 630-285-0071 Fax: 630-285-0075

#### Dallas

4570 Westgrove Drive, Suite 160  
Addison, TX 75001  
Tel: 972-818-7423 Fax: 972-818-2924

#### Dayton

Two Prestige Place, Suite 130  
Miamisburg, OH 45342  
Tel: 937-291-1654 Fax: 937-291-9175

#### Detroit

Tri-Atria Office Building  
32255 Northwestern Highway, Suite 190  
Farmington Hills, MI 48334  
Tel: 248-538-2250 Fax: 248-538-2260

#### Los Angeles

18201 Von Karman, Suite 1090  
Irvine, CA 92612  
Tel: 949-263-1888 Fax: 949-263-1338

#### Mountain View

Analog Product Sales  
1300 Terra Bella Avenue  
Mountain View, CA 94043-1836  
Tel: 650-968-9241 Fax: 650-967-1590

#### New York

150 Motor Parkway, Suite 202  
Hauppauge, NY 11788  
Tel: 631-273-5305 Fax: 631-273-5335

#### San Jose

Microchip Technology Inc.  
2107 North First Street, Suite 590  
San Jose, CA 95131  
Tel: 408-436-7950 Fax: 408-436-7955

#### Toronto

6285 Northam Drive, Suite 108  
Mississauga, Ontario L4V 1X5, Canada  
Tel: 905-673-0699 Fax: 905-673-6509

### ASIA/PACIFIC

#### China - Beijing

Microchip Technology Beijing Office  
Unit 915  
New China Hong Kong Manhattan Bldg.  
No. 6 Chaoyangmen Beidajie  
Beijing, 100027, No. China  
Tel: 86-10-85282100 Fax: 86-10-85282104

#### China - Shanghai

Microchip Technology Shanghai Office  
Room 701, Bldg. B  
Far East International Plaza  
No. 317 Xian Xia Road  
Shanghai, 200051  
Tel: 86-21-6275-5700 Fax: 86-21-6275-5060

#### Hong Kong

Microchip Asia Pacific  
RM 2101, Tower 2, Metroplaza  
223 Hing Fong Road  
Kwai Fong, N.T., Hong Kong  
Tel: 852-2401-1200 Fax: 852-2401-3431

#### India

Microchip Technology Inc.  
India Liaison Office  
Divyasree Chambers  
1 Floor, Wing A (A3/A4)  
No. 11, O'Shaughnessey Road  
Bangalore, 560 025, India  
Tel: 91-80-2290061 Fax: 91-80-2290062

#### Japan

Microchip Technology Intl. Inc.  
Benex S-1 6F  
3-18-20, Shinyokohama  
Kohoku-Ku, Yokohama-shi  
Kanagawa, 222-0033, Japan  
Tel: 81-45-471-6166 Fax: 81-45-471-6122

#### Korea

Microchip Technology Korea  
168-1, Youngbo Bldg. 3 Floor  
Samsung-Dong, Kangnam-Ku  
Seoul, Korea  
Tel: 82-2-554-7200 Fax: 82-2-558-5934

### ASIA/PACIFIC (continued)

#### Singapore

Microchip Technology Singapore Pte Ltd.  
200 Middle Road  
#07-02 Prime Centre  
Singapore, 188980  
Tel: 65-334-8870 Fax: 65-334-8850

#### Taiwan

Microchip Technology Taiwan  
11F-3, No. 207  
Tung Hua North Road  
Taipei, 105, Taiwan  
Tel: 886-2-2717-7175 Fax: 886-2-2545-0139

### EUROPE

#### Australia

Microchip Technology Australia Pty Ltd  
Suite 22, 41 Rawson Street  
Epping 2121, NSW  
Australia  
Tel: 61-2-9868-6733 Fax: 61-2-9868-6755

#### Denmark

Microchip Technology Denmark ApS  
Regus Business Centre  
Lautrup høj 1-3  
Ballerup DK-2750 Denmark  
Tel: 45 4420 9895 Fax: 45 4420 9910

#### France

Arizona Microchip Technology SARL  
Parc d'Activite du Moulin de Massy  
43 Rue du Saule Trapu  
Batiment A - 1er Etage  
91300 Massy, France  
Tel: 33-1-69-53-63-20 Fax: 33-1-69-30-90-79

#### Germany

Arizona Microchip Technology GmbH  
Gustav-Heinemann Ring 125  
D-81739 Munich, Germany  
Tel: 49-89-627-144 0 Fax: 49-89-627-144-44

#### Germany

Analog Product Sales  
Lochhamer Strasse 13  
D-82152 Martinsried, Germany  
Tel: 49-89-895650-0 Fax: 49-89-895650-22

#### Italy

Arizona Microchip Technology SRL  
Centro Direzionale Colleoni  
Palazzo Taurus 1 V. Le Colleoni 1  
20041 Agrate Brianza  
Milan, Italy  
Tel: 39-039-65791-1 Fax: 39-039-6899883

#### United Kingdom

Arizona Microchip Technology Ltd.  
505 Eskdale Road  
Winnersh Triangle  
Wokingham  
Berkshire, England RG41 5TU  
Tel: 44 118 921 5869 Fax: 44-118 921-5820

All rights reserved. © 2001 Microchip Technology Incorporated. Printed in the USA. 1/01  Printed on recycled paper.

01/09/01

Information contained in this publication regarding device applications and the like is intended through suggestion only and may be superseded by updates. It is your responsibility to ensure that your application meets with your specifications. No representation or warranty is given and no liability is assumed by Microchip Technology Incorporated with respect to the accuracy or use of such information, or infringement of patents or other intellectual property rights arising from such use or otherwise. Use of Microchips products as critical components in life support systems is not authorized except with express written approval by Microchip. No licenses are conveyed, implicitly or otherwise, except as maybe explicitly expressed herein, under any intellectual property rights. The Microchip logo and name are registered trademarks of Microchip Technology Inc. in the U.S.A. and other countries. All rights reserved. All other trademarks mentioned herein are the property of their respective companies.