

## +1.8V, Low Power, Quad-Input, 16-Bit $\Sigma - \Delta$ A/D Converter with a Power Fault Monitor and Microprocessor Reset Circuit

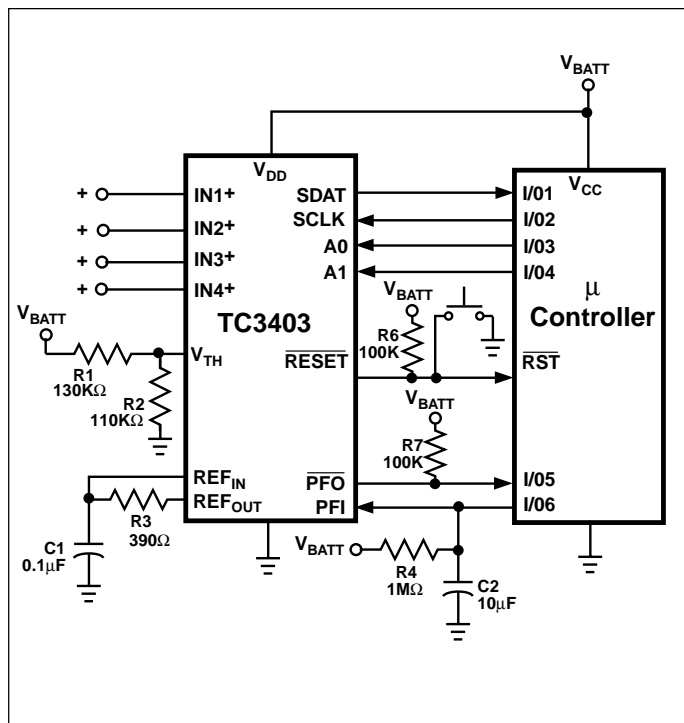
### FEATURES

- 16-Bit Resolution at Eight Conversions Per Second, Adjustable Down to 10-Bit Resolution at 512 Conversions Per Second
- 1.8V – 5.5V Operation, Low Power Operating .... 280 $\mu$ A  
..... Sleep: 93 $\mu$ A
- Four Single Ended Inputs with Built-In Multiplexer
- MicroPort™ Serial Bus Requires Only Two Interface Lines
- Uses Internal or External Reference
- V<sub>DD</sub> Monitor and Reset Generator Operational in Shutdown Mode
- Early Warning Power Fail Detector, Also Suitable as Wake-Up Timer Operational in Shutdown Mode
- Automatically Enters Sleep Mode When Not In Use
- 16-Pin QSOP and PDIP Packages

### TYPICAL APPLICATIONS

- Consumer Electronics, Thermostats, CO Monitors, Humidity Meters, Security Sensors
- Embedded Systems, Data Loggers, Portable Equipment
- Medical Instruments

### TYPICAL APPLICATION



### GENERAL DESCRIPTION

The TC3403 is a low cost, low power analog-to-digital converter based on Microchip's Sigma-Delta technology. It will perform 16-bit conversions (15-bit plus sign) at up to eight per second. The TC3403 is optimized for use as a microcontroller peripheral in low cost, battery operated systems. A voltage reference is included, or an external reference can be used. A V<sub>DD</sub> monitor with reset generator provides Power-On Reset and Brown-out protection while an extra threshold detector is suitable for use as an early warning power fail detector, or as a wake-up timer.

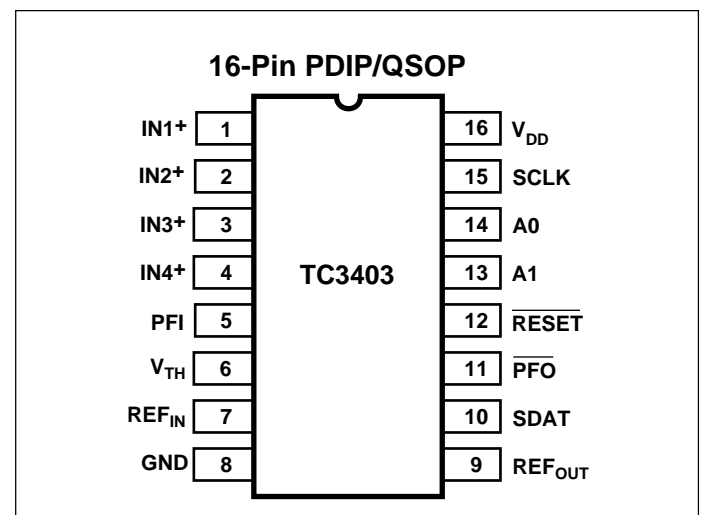
The TC3403's 2-wire MicroPort™ digital interface is used for starting conversions and for reading out the data. Driving the SCLK line low starts a conversion. After the conversion starts, each additional falling edge (up to six) detected on SCLK for t<sub>4</sub> seconds reduces the A/D resolution by one bit and cuts conversion time in half. After a conversion is completed, clocking the SCLK line puts the MSB through LSB of the resulting data word onto the SDAT line, much like a shift register. The part automatically sleeps when not performing a data conversion.

The TC3403 is available in 16-Pin PDIP and 16-Pin QSOP packages.

### ORDERING INFORMATION

Part No.	Package	Temp. Range
TC3403VPE	16-Pin PDIP (Narrow)	0°C to +85°C
TC3403VQR	16-Pin QSOP (Narrow)	0°C to +85°C

### PIN CONFIGURATIONS



# +1.8V, Low Power, Quad-Input, 16-Bit $\Sigma - \Delta$ A/D Converter with a Power Fault Monitor and Microprocessor Reset Circuit

## TC3403

### ABSOLUTE MAXIMUM RATINGS\*

Supply Voltage .....	6.0V
Voltage on Pins:	
PFO, RESET, .....	(GND – 0.3V) to 5.5V
Input Voltage (All Other Pins) .....	
.....	(GND – 0.3V) to (V <sub>DD</sub> + 0.3V)
Operating Temperature .....	0°C to 85°C
Maximum Chip Temperature .....	+150°C
Storage Temperature Range .....	– 65°C to +150°C
Lead Temperature (Soldering, 10 sec) .....	+300°C

\*Static-sensitive device. Unused devices must be stored in conductive material. Protect devices from static discharge and static fields. Stresses above those listed under Absolute Maximum Ratings may cause permanent damage to the device. These are stress ratings only and functional operation of the device at these or any other conditions above those indicated in the operational sections of the specifications is not implied. Exposure to Absolute Maximum Rating Conditions for extended periods may affect device reliability.

**DC ELECTRICAL CHARACTERISTICS:** T<sub>A</sub> = 25°C and V<sub>DD</sub> = 2.7V, unless otherwise specified. Specifications in Bold type apply over a temperature range of 0°C to 85°C. V<sub>REF</sub> = 1.25V, Internal Clock Freq = 520kHz

Symbol	Parameter	Test Conditions	Min	Typ	Max	Unit
<b>POWER SUPPLY</b>						
V <sub>DD</sub>	Supply Voltage		1.8	—	5.5	V
I <sub>DD</sub>	Supply Current, During Data Conversion		—	280	—	μA
I <sub>DD(SLEEP)</sub>	Supply Current, Sleep Mode	T <sub>A</sub> = +25°C	—	93	115	μA
I <sub>DD(SLEEP)</sub>			—	<b>106</b>	<b>120</b>	μA
<b>ACCURACY (Differential Inputs)</b>						
RES	Resolution		—	16	—	Bits
INL	Integral Non-Linearity	V <sub>DD</sub> = 2.7V	—	.0038	—	%FSR
V <sub>OS</sub>	Offset Error	IN <sup>+</sup> = 0V	—	—	<b>±1.0</b>	%FSR
V <sub>NOISE</sub>	Referred to input		—	60	—	μVrms
CMR	Common Mode Rejection	at DC	—	75	—	dB
FSE	Full Scale Error		—	0.4%	—	%FS
PSRR	Power Supply Rejection Ratio	V <sub>DD</sub> = 2.5V to 3.5V	—	75	—	dB
<b>INn</b>						
V <sub>IN</sub>	Input Voltage	(Note 1)	—	—	V <sub>DD</sub>	V
	Absolute Voltage Range on INn		GND	—	V <sub>DD</sub>	V
	Input Bias Current		—	1	100	nA
C <sub>IN</sub>	Input Sampling Capacitance		—	2	—	pF
R <sub>IN</sub>	Input Resistance	(Note 2)	—	2.0	—	MΩ
<b>REF<sub>IN</sub>, REF<sub>OUT</sub></b>						
V <sub>REF</sub>	REF <sub>IN</sub> Voltage Range		0	—	1.25	V
I <sub>REF</sub>	REF <sub>IN</sub> Input Current		—	1	—	μA
V <sub>REFOUT</sub>	REF <sub>OUT</sub> Voltage		1.175	1.193	1.210	V
REF <sub>SINK</sub>	REF <sub>OUT</sub> Current Sink Capability		—	10	—	μA
REF <sub>SRC</sub>	REF <sub>OUT</sub> Current Source Capability		300	—	—	μA
<b>SCLK, ADDR</b>						
V <sub>IL</sub>	Input Low Voltage		—	—	<b>0.3 x V<sub>DD</sub></b>	V
V <sub>IH</sub>	Input High Voltage		<b>0.7 x V<sub>DD</sub></b>	—	—	V
I <sub>LEAK</sub>	Leakage Current		—	1	—	μA

Notes: 1. Input voltage defined as (V<sub>IN+</sub> – GND)  
2. Resistance from INn to GND.

# +1.8V, Low Power, Quad-Input, 16-Bit $\Sigma - \Delta$ A/D Converter with a Power Fault Monitor and Microprocessor Reset Circuit

TC3403

**DC ELECTRICAL CHARACTERISTICS (CONT.):**  $T_A = 25^\circ\text{C}$  and  $V_{DD} = 2.7\text{V}$ , unless otherwise specified. Specifications in Bold type apply over a temperature range of  $0^\circ\text{C}$  to  $85^\circ\text{C}$ .

Symbol	Parameter	Test Conditions	Min	Typ	Max	Unit
<b>SDAT, RESET</b>						
$V_{OL}$	Output Low Voltage	$I_{OL} = 1.5\text{mA}$	—	—	0.4	V
$V_{OH}$	Output High Voltage (SDAT)	$I_{SOURCE} = 400\mu\text{A}$ (Note 2)	$0.9 \times V_{DD}$	—	—	V
$V_{DD(MIN)}$	Minimum $V_{DD}$ for $\overline{\text{PFO}}$ , $\overline{\text{RESET}}$ Valid		—	1.1	1.3	V
<b><math>V_{TH}</math></b>						
$V_{CCPFI}$	PFI Input Voltage Range		0	—	$V_{DD}$	V
	$V_{TH}$ , PFI Input Current		-0.1	.01	0.1	$\mu\text{A}$
$V_{THR}$	Threshold		—	1.23	—	V
	Threshold Hysteresis		—	30	—	mV

**AC ELECTRICAL CHARACTERISTICS:**  $T_A = 25^\circ\text{C}$  and  $V_{DD} = 2.7\text{V}$ , unless otherwise specified. Specifications in Bold type apply over a temperature range of  $0^\circ\text{C}$  to  $85^\circ\text{C}$ .  $V_{REF} = 1.25\text{V}$ , Internal Clock Freq = 520kHz

Symbol	Parameter	Description	Min	Typ	Max	Unit
$t_1$		Width of SCLK (Negative)	1	—	—	$\mu\text{sec}$
$t_2$	Resolution Reduction Clock Width	Width of SCLK (Positive)	1	—	—	$\mu\text{sec}$
$t_3$	Conversion Time (15-Bit Plus Sign)	16-bit conversion, $T_A = 25^\circ$ (Note 1)	—	125	—	msec
	Conversion Time (14-Bit Plus Sign)	15-bit conversion	—	$t_3/2.0$	—	msec
	Conversion Time (13-Bit Plus Sign)	14-bit conversion	—	$t_3/4.0$	—	msec
	Conversion Time (12-Bit Plus Sign)	13-bit conversion	—	$t_3/7.8$	—	msec
	Conversion Time (11-Bit Plus Sign)	12-bit conversion	—	$t_3/15.1$	—	msec
	Conversion Time (10-Bit Plus Sign)	11-bit conversion	—	$t_3/28.6$	—	msec
	Conversion Time (9-Bit Plus Sign)	10-bit conversion	—	$t_3/51.4$	—	msec
$t_4$	Resolution Reduction Window	Width of SCLK	—	$t_3/85.7$	—	msec
$t_5$	SCLK to Data Valid	SCLK falling edge to SDAT valid	<b>1000</b>	—	—	nsec
$t_6$	Address Setup	Address valid to SCLK	<b>0</b>	—	—	nsec
$t_7$	Address Hold	SCLK to address valid hold	<b>1000</b>	—	—	nsec
$t_8$	Acknowledge Delay	SCLK to SDAT delay	—	—	<b>1000</b>	nsec
$t_9$	RESET Active Timeout Period	Delay from POR or brown-out recovery to RESET = $V_{OH}$	—	$t_3 \times 2$	—	msec
$t_{10}$	$\overline{\text{PFO}}$ Delay	PFI to $\overline{\text{PFO}}$ delay	—	25	—	$\mu\text{sec}$
$t_{11}$	RESET Delay	Delay for $V_{TH}$ falling at 10 V/msec to RESET low	<b>5</b>	—	<b>64</b>	$\mu\text{sec}$

Notes: 1. Nominal temperature drift is -2830 ppm/ $^\circ\text{C}$  for temperature less than  $25^\circ\text{C}$  and -1340 ppm/ $^\circ\text{C}$  for temperatures greater than  $25^\circ\text{C}$ .  
 2. @  $V_{DD} = 1.8\text{V}$ ,  $I_{SOURCE} \leq 200\mu\text{A}$

# +1.8V, Low Power, Quad-Input, 16-Bit $\Sigma - \Delta$ A/D Converter with a Power Fault Monitor and Microprocessor Reset Circuit

## TC3403

### PIN DESCRIPTION

TC3403 Pin No.	Name	Description
1,2,3,4	INn+	Analog Input. This is the positive terminal of a true differential input with the negative input tied internally to GND. (See <i>Electrical Characteristics</i> .)
5	PFI	Analog Input. This is the positive input to an internal comparator used as a threshold detector. The negative input is tied to an internal reference.
6	V <sub>TH</sub>	Analog Input. This is the positive input to the internal comparator used to monitor the voltage supply. The negative input is tied to an internal reference. When V <sub>TH</sub> falls below the internal reference, the reset generator drives RESET low as specified in the <i>Electrical Characteristics</i> section.
7	REF <sub>IN</sub>	Analog Input. The converter's reference voltage is the differential between this pin and ground times two. It may be connected to REF <sub>OUT</sub> as shown on page 1 or scaled using a resistor divider. Any user supplied reference voltage or the power supply rail may be used in place of REF <sub>OUT</sub> .
8	GND	Ground Terminal.
9	REF <sub>OUT</sub>	Analog Output. The internal reference connects to this pin. It may be scaled externally, if desired, and tied to the REF <sub>IN</sub> input to provide the converter's reference voltage. Care must be taken in connecting external circuitry to this pin. (See <i>Electrical Characteristics</i> .)
10	SDAT	Digital Output (push-pull). This is the MicroPort™ serial data output. SDAT is driven low while the TC3403 is converting data, effectively providing a "busy" signal. After the conversion is complete, every high-to-low transition on the SCLK pin puts a bit from the resulting data word on the SDAT pin (from MSB to LSB).
11	PFO	Digital Output (open drain). This is the output of the internal threshold detector. When PFI is less than the internal reference, PFO is driven low.
12	RESET	Digital Output (open drain). This is the output of the V <sub>DD</sub> monitor reset generator. RESET is driven low when a power-on reset or brown-out condition is detected. (See AC Electrical Characteristics.)
13	A1	Digital Input. Controls analog multiplexer in conjunction with A0 to select one of the four Input channels. This address is latched at the falling edge of the SCLK, which starts an A/D conversion. A1,A0 = 00 = Input 1; 01 = Input 2; 10 = Input 3; 11 = Input 4.
14	A0	Digital Input. Controls analog multiplexer in conjunction with A1 to select one of four Input channels. This address is latched at the falling edge of the SCLK, which starts an A/D conversion. A1,A0 = 00 = Input 1; 01 = Input 2; 10 = Input 3; 11 = Input 4.
15	SCLK	Digital Input. This is the MicroPort™ serial clock input. After the conversion starts, each additional falling edge (up to six) detected on SCLK for t <sub>4</sub> seconds reduces the A/D resolution by one bit. When the conversion is complete, the data word can be shifted out on the SDAT pin by clocking the SCLK pin.
16	V <sub>DD</sub>	Power Supply Input. (See <i>Electrical Characteristics</i> .)

# +1.8V, Low Power, Quad-Input, 16-Bit $\Sigma - \Delta$ A/D Converter with a Power Fault Monitor and Microprocessor Reset Circuit

TC3403

## GENERAL THEORY OF OPERATION

The TC3403 is a 16-bit sigma-delta A/D converter. It has four single-ended inputs, an analog multiplexer, a  $V_{DD}$  monitor with reset generator, and an early warning power fail detector. The detailed description of the key components of the TC3403 is outlined below. (Also refer to the A/D Operational Flowchart on page 10 and the Timing Diagrams in Figures 2 through 5).

### A/D Converter Operation

When the TC3403 is not converting, it is in sleep mode with both the SCLK and SDAT lines high. An A/D conversion is initiated by a high to low transition on the SCLK line at which time the internal clock of the TC3403 is started and the address value (A0 and A1) is internally latched. The address value steers the analog multiplexer to select the input channel to be converted. Each additional high to low transition of SCLK (following the initial SCLK falling edge) and during the time interval  $t_4$  will decrement the conversion accuracy by one bit and reduce the conversion time by one half. The time interval  $t_4$  is referred to as the resolution reduction window. The minimum conversion resolution is 10 bits so any more than 6 SCLK transitions during  $t_4$  will be ignored.

After each high to low transition of SCLK, in the  $t_4$  interval, the SDAT output is driven high by the TC3403 to acknowledge that the conversion has been decremented. When the SCLK returns high or the  $t_4$  interval ends, the SDAT line returns low (see Figure 2). When the conversion is complete SDAT is driven high. The 3403 now enters sleep mode and the conversion value can be read as a serial data word on the SDAT line.

### Reading the Data Word

After the conversion is complete and SDAT goes high, the conversion value can be clocked serially onto the SDAT line by high to low transitions of the SCLK. The data word is in two's complement format with the sign bit clocked onto the SDAT line first followed by the MSB and ending in the LSB. For a 16 bit conversion the data word would consist of a sign bit followed by 15 magnitude bits, Table 1 shows the data word versus input voltage for a 16 bit conversion. Note that the full scale input voltage range is  $\pm(2 \text{ REF}_{IN} - 1 \text{ LSB})$ . When  $\text{REF}_{OUT}$  is fed back directly to  $\text{REF}_{IN}$ , an LSB is  $73\mu\text{V}$  for a 16 bit conversion, as  $\text{REF}_{OUT}$  is typically 1.193V.

Figure 3 shows typical SCLK and SDAT waveforms for 16, 12 and 10 bit conversions. Note that any complete convert and read cycle requires 17 negative edge clock pulses. The first is the convert command. Then, up to six of these can occur in the resolution reduction window,  $t_4$ , to

decrement accuracy. The remaining pulses clock out the conversion data word.

**Table 1. Data Conversion Word vs. Voltage Input ( $\text{REF}_{IN} = 1.193\text{V}$ )**

Data Word	$\text{INn}^+ - \text{INn}^-$ (Volts)
0111 1111 1111 1111	2.38596 (Positive Full Scale)
0000 0000 0000 0001	$72.8 \text{ E} - 6$
0000 0000 0000 0000	0
1111 1111 1111 1111	$-72.8 \text{ E} - 6$
1000 0000 0000 0001	-2.38596 (Negative Full Scale)
1000 0000 0000 0000	Reserved Code

The SCLK input has a filter which rejects any positive or negative pulse width less than 50ns to reduce noise. The rejection width of this pulse can vary between 50ns and 750ns depending on processing parameters and supply voltage.

Figure 3 shows a truth table for determining the mode of operation for the TC3403 part by recording the value of SDAT for SCLK in a high, then low, then high state. For example, if SCLK goes through a 1-0-1 transition and the corresponding values of SDAT are 1-1-0, then the SCLK falling edge started a new data conversion. A 0-1-0 for SDAT would have indicated a resolution reduction had occurred. This is useful if the microcontroller has a watchdog reset or otherwise loses track of where the TC3403 part is in the conversion and data readout sequence. The microcontroller can simply transition SCLK until it "finds" a Start Conversion condition.

### $V_{DD}$ Monitor

The TC3403  $\overline{\text{RESET}}$  output is high provided the voltage at  $V_{TH}$  is greater than the internal voltage reference. This reference is approximately the same value as the voltage appearing at  $\text{REF}_{OUT}$ . When  $V_{TH}$  is less than the internal reference,  $\overline{\text{RESET}}$  is pulled low. When  $V_{TH}$  rises above the internal reference voltage  $\overline{\text{RESET}}$  is held low for the reset active timeout period,  $t_9$ , before being released high. The  $\overline{\text{RESET}}$  output is guaranteed to be valid for  $V_{DD} = 1.3\text{V}$  to 5.5V.

When used to generate a power-on or brown-out reset an external resistor network is required to divide the appropriate  $V_{DD}$  threshold down to 1.23V at the  $V_{TH}$  input (see Figure 1). For example, to generate a POR for a  $V_{DD}$  at 3V-10%, then the values of R1 and R2 should be 137k $\Omega$  and 115k $\Omega$  respectively.

Since  $\overline{\text{RESET}}$  is an open drain it can be wired-OR'ed with another open drain or external switch if desired.

# +1.8V, Low Power, Quad-Input, 16-Bit $\Sigma - \Delta$ A/D Converter with a Power Fault Monitor and Microprocessor Reset Circuit

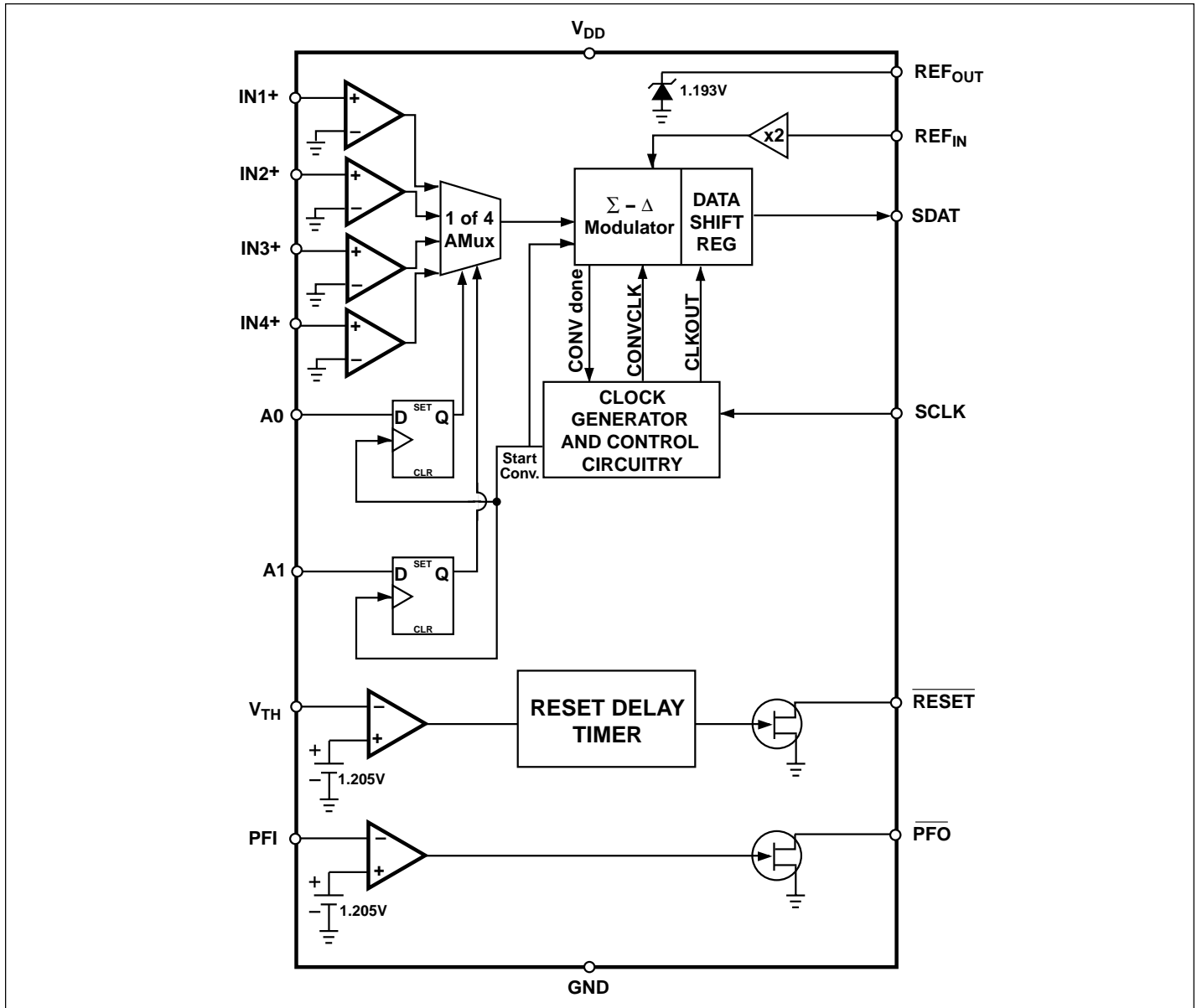
## TC3403

### Power Fail Detector

The power fail detector is a comparator in which the inverting input is connected to the internal voltage reference, the non-inverting input is the PFI pin of the TC3403 and the PFO pin is the active low, open collector output. This comparator is suitable as an early warning fail or low battery indicator. In a typical application, where a voltage regulator is being used to supply power to a system, the power fail comparator would monitor the input voltage to the regulator while the  $V_{DD}$  monitor would measure the output voltage of the regulator. Both PFO and  $\overline{\text{RESET}}$  would drive interrupt pins of a microcontroller.

The Power Fail detector, may be used as a Wake-up or Watch-dog Timer. The Typical Application Circuit on Page 1 shows an RC network on PFI with the capacitor tied to a tri-stated  $\mu\text{C}$  I/O pin. If  $R_4$  is 1 M $\Omega$  and  $C_2$  is 10 $\mu\text{F}$ , the time constant is roughly ten seconds. The  $\mu\text{C}$  resets the RC network by driving the I/O tied to PFI low and then tri-stating it. The RC network will ramp to 1.23V in roughly 9 seconds, assuming a  $V_{\text{BATT}}$  of 3.0V. With  $\overline{\text{PFO}}$  tied to a  $\mu\text{C}$  input or interrupt, the  $\mu\text{C}$  will see a low-to-high transition on  $\overline{\text{PFO}}$  when voltage on PFI exceeds 1.23V. The PFO output is guaranteed to be valid for  $V_{\text{DD}} = 1.3$  to 5.5V.

### FUNCTIONAL BLOCK DIAGRAM



# +1.8V, Low Power, Quad-Input, 16-Bit $\Sigma - \Delta$ A/D Converter with a Power Fault Monitor and Microprocessor Reset Circuit

TC3403

## TIMING DIAGRAMS

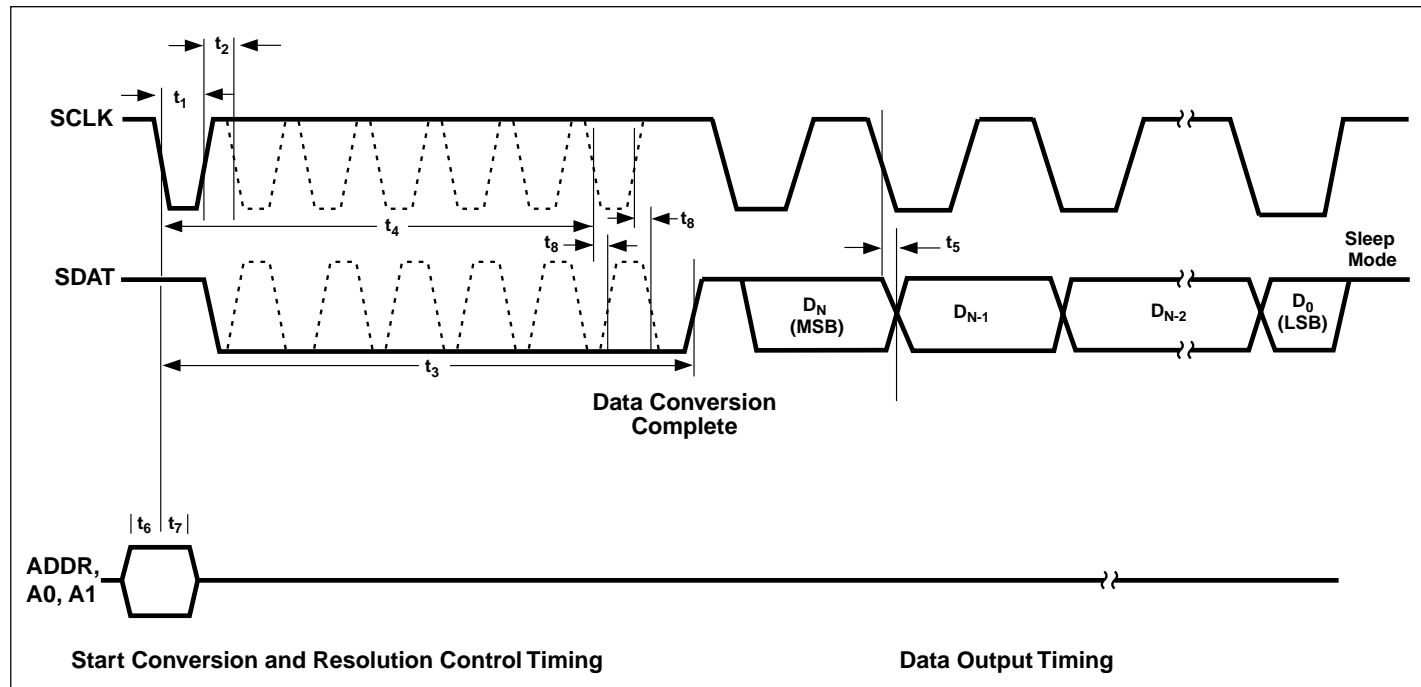


Figure 2. Conversion and Data Output Timing

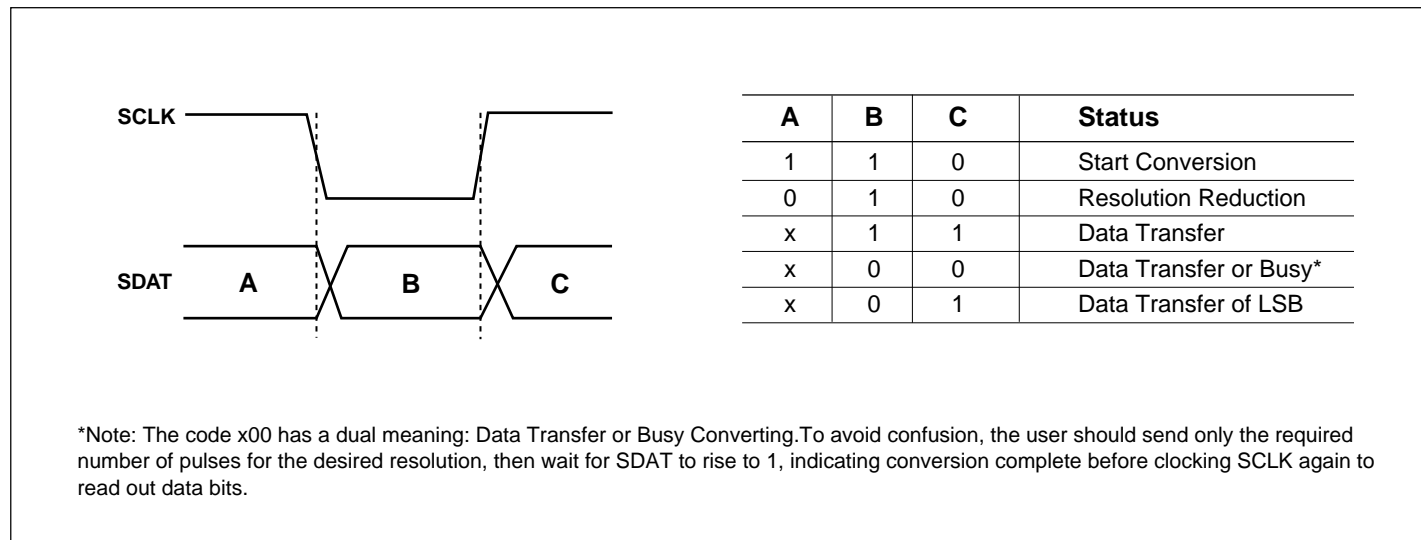


Figure 3. SCLK, SDAT Logic State Table

# +1.8V, Low Power, Quad-Input, 16-Bit $\Sigma - \Delta$ A/D Converter with a Power Fault Monitor and Microprocessor Reset Circuit

## TC3403

### TIMING DIAGRAMS (CONT.)

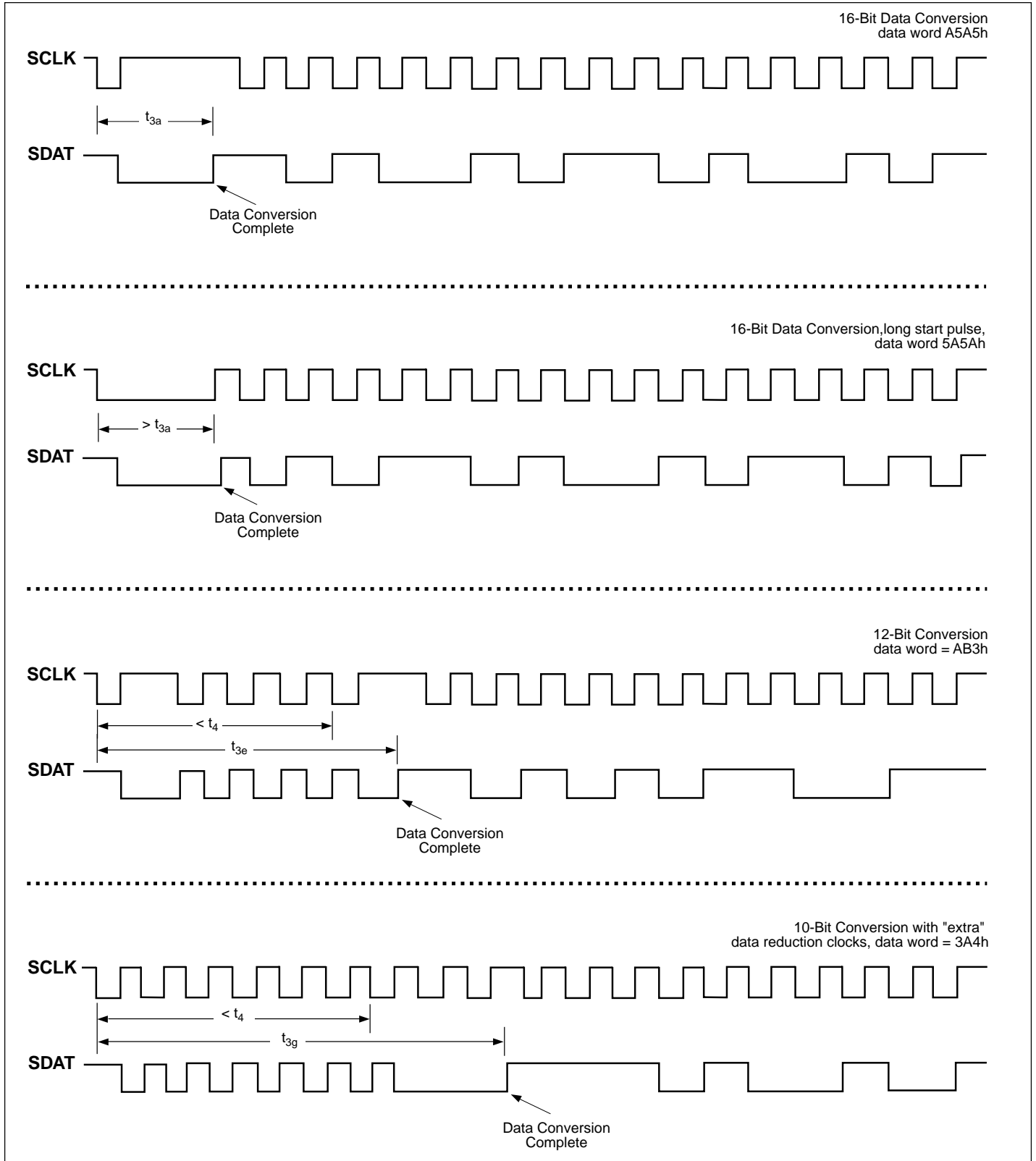


Figure 4. Example Timing Diagrams



**+1.8V, Low Power, Quad-Input, 16-Bit  $\Sigma - \Delta$   
A/D Converter with a Power Fault Monitor  
and Microprocessor Reset Circuit**

**TC3403**

**TIMING DIAGRAMS (CONT.)**

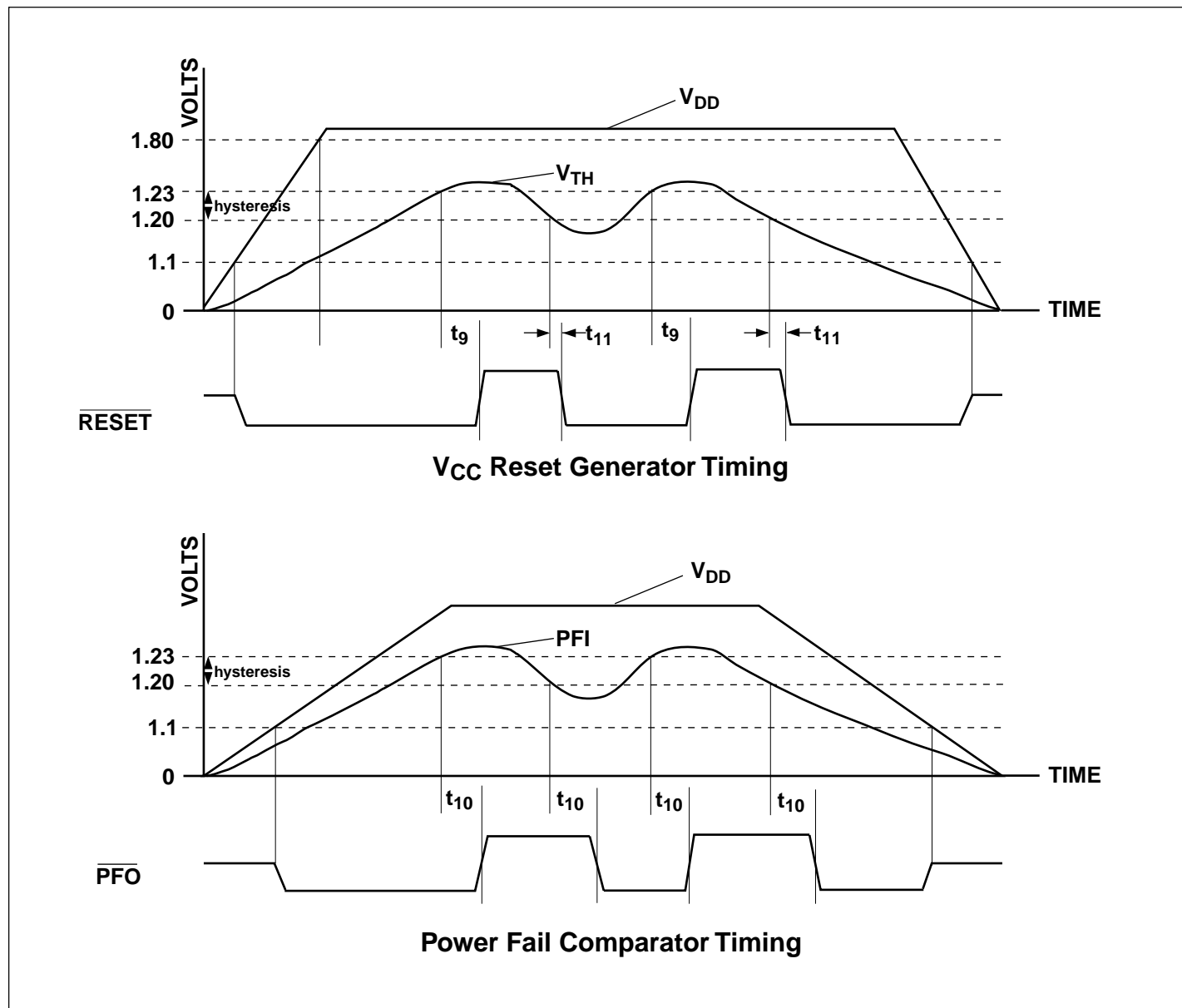
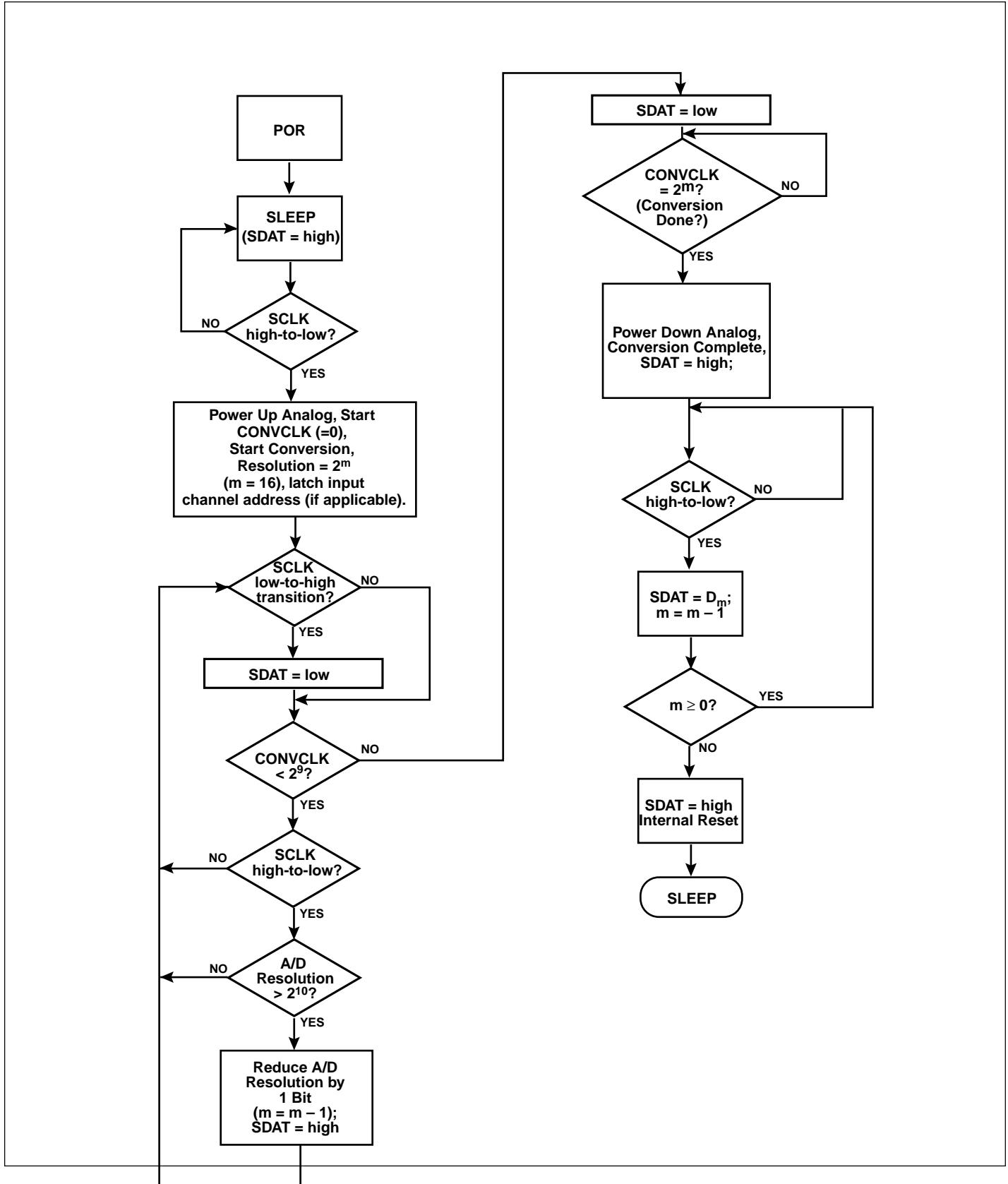


Figure 5. Reset and Power Fail Timing

# +1.8V, Low Power, Quad-Input, 16-Bit $\Sigma - \Delta$ A/D Converter with a Power Fault Monitor and Microprocessor Reset Circuit

TC3403

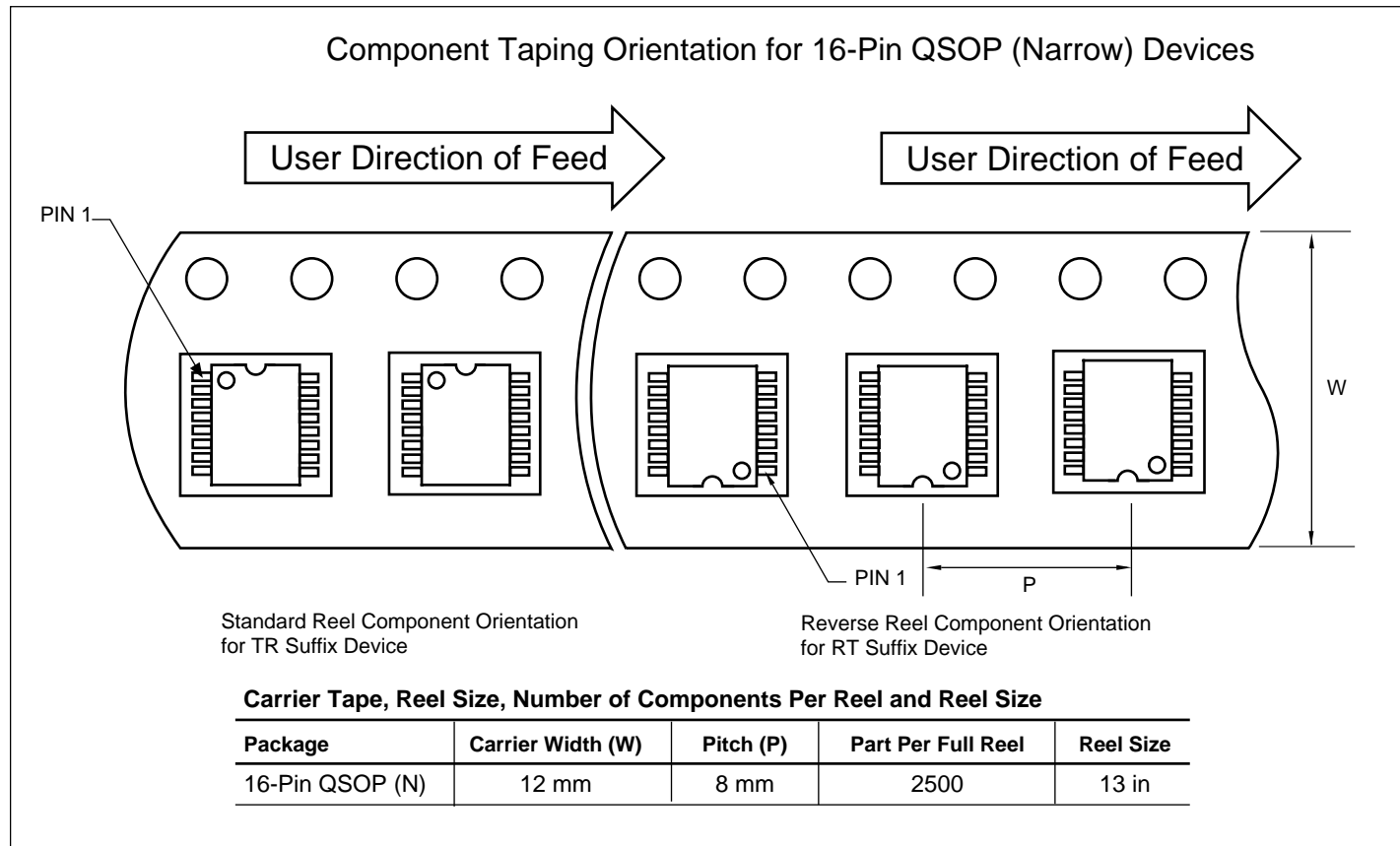
## A/D OPERATIONAL FLOWCHART



# +1.8V, Low Power, Quad-Input, 16-Bit $\Sigma - \Delta$ A/D Converter with a Power Fault Monitor and Microprocessor Reset Circuit

TC3403

## TAPING FORM

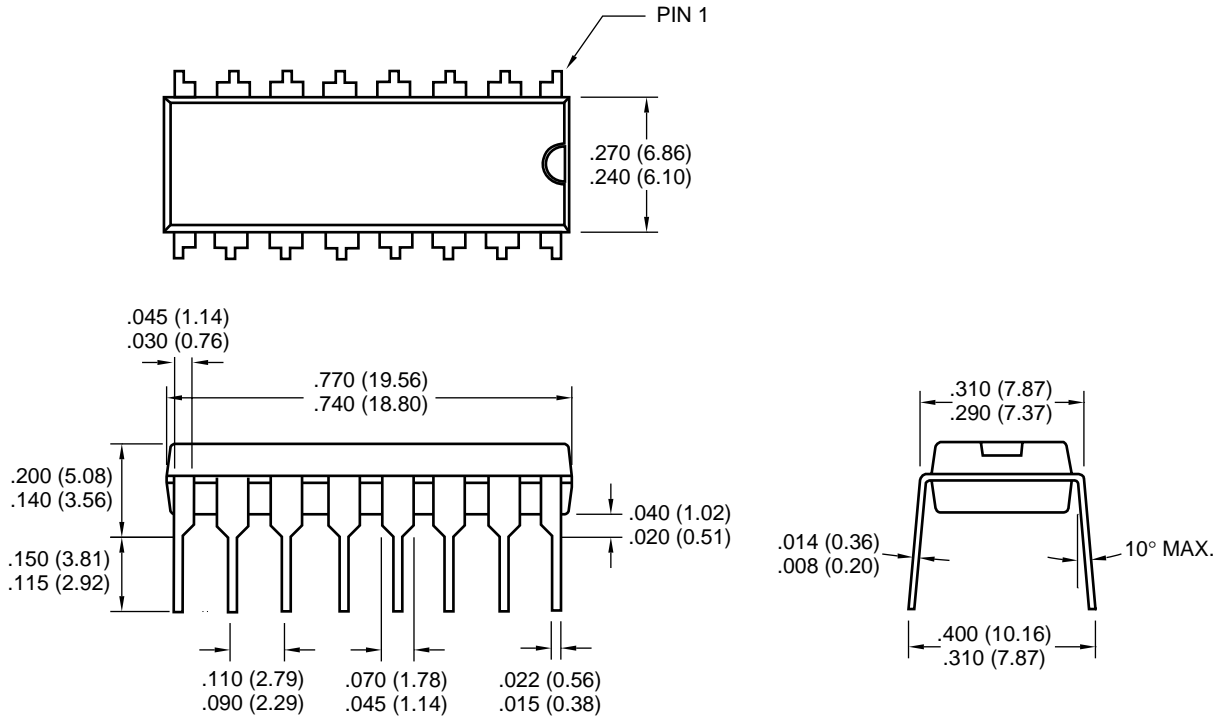


# +1.8V, Low Power, Quad-Input, 16-Bit $\Sigma - \Delta$ A/D Converter with a Power Fault Monitor and Microprocessor Reset Circuit

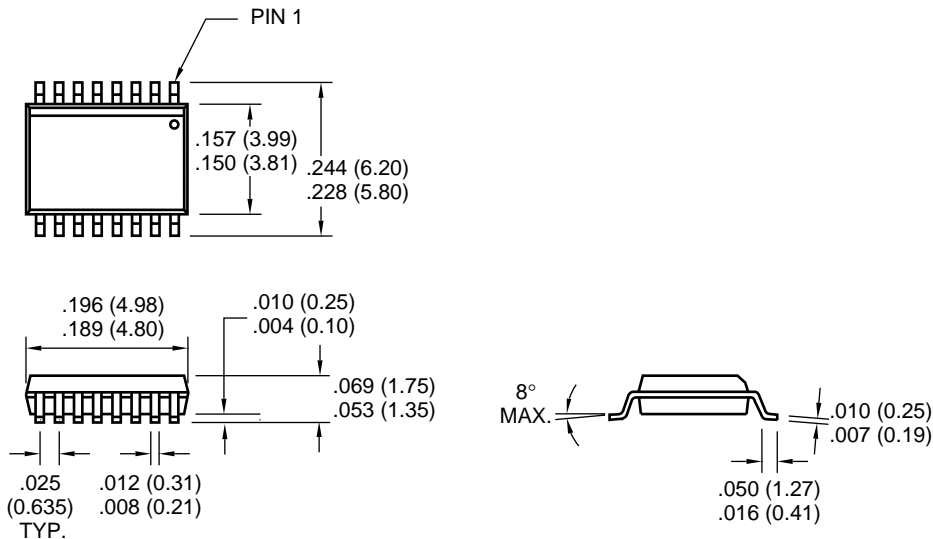
## TC3403

### PACKAGE DIMENSIONS

16-Pin PDIP (Narrow)



16-Pin QSOP (Narrow)



Dimensions: inches(mm)



## WORLDWIDE SALES AND SERVICE

### AMERICAS

#### Corporate Office

2355 West Chandler Blvd.  
Chandler, AZ 85224-6199  
Tel: 480-792-7200 Fax: 480-792-7277  
Technical Support: 480-792-7627  
Web Address: <http://www.microchip.com>

#### Rocky Mountain

2355 West Chandler Blvd.  
Chandler, AZ 85224-6199  
Tel: 480-792-7966 Fax: 480-792-7456

#### Atlanta

500 Sugar Mill Road, Suite 200B  
Atlanta, GA 30350  
Tel: 770-640-0034 Fax: 770-640-0307

#### Austin

Analog Product Sales  
8303 MoPac Expressway North  
Suite A-201  
Austin, TX 78759  
Tel: 512-345-2030 Fax: 512-345-6085

#### Boston

2 Lan Drive, Suite 120  
Westford, MA 01886  
Tel: 978-692-3848 Fax: 978-692-3821

#### Boston

Analog Product Sales  
Unit A-8-1 Millbrook Tarry Condominium  
97 Lowell Road  
Concord, MA 01742  
Tel: 978-371-6400 Fax: 978-371-0050

#### Chicago

333 Pierce Road, Suite 180  
Itasca, IL 60143  
Tel: 630-285-0071 Fax: 630-285-0075

#### Dallas

4570 Westgrove Drive, Suite 160  
Addison, TX 75001  
Tel: 972-818-7423 Fax: 972-818-2924

#### Dayton

Two Prestige Place, Suite 130  
Miamisburg, OH 45342  
Tel: 937-291-1654 Fax: 937-291-9175

#### Detroit

Tri-Atria Office Building  
32255 Northwestern Highway, Suite 190  
Farmington Hills, MI 48334  
Tel: 248-538-2250 Fax: 248-538-2260

#### Los Angeles

18201 Von Karman, Suite 1090  
Irvine, CA 92612  
Tel: 949-263-1888 Fax: 949-263-1338

#### Mountain View

Analog Product Sales  
1300 Terra Bella Avenue  
Mountain View, CA 94043-1836  
Tel: 650-968-9241 Fax: 650-967-1590

#### New York

150 Motor Parkway, Suite 202  
Hauppauge, NY 11788  
Tel: 631-273-5305 Fax: 631-273-5335

#### San Jose

Microchip Technology Inc.  
2107 North First Street, Suite 590  
San Jose, CA 95131  
Tel: 408-436-7950 Fax: 408-436-7955

#### Toronto

6285 Northam Drive, Suite 108  
Mississauga, Ontario L4V 1X5, Canada  
Tel: 905-673-0699 Fax: 905-673-6509

### ASIA/PACIFIC

#### China - Beijing

Microchip Technology Beijing Office  
Unit 915  
New China Hong Kong Manhattan Bldg.  
No. 6 Chaoyangmen Beidajie  
Beijing, 100027, No. China  
Tel: 86-10-85282100 Fax: 86-10-85282104

#### China - Shanghai

Microchip Technology Shanghai Office  
Room 701, Bldg. B  
Far East International Plaza  
No. 317 Xian Xia Road  
Shanghai, 200051  
Tel: 86-21-6275-5700 Fax: 86-21-6275-5060

#### Hong Kong

Microchip Asia Pacific  
RM 2101, Tower 2, Metroplaza  
223 Hing Fong Road  
Kwai Fong, N.T., Hong Kong  
Tel: 852-2401-1200 Fax: 852-2401-3431

#### India

Microchip Technology Inc.  
India Liaison Office  
Divyasree Chambers  
1 Floor, Wing A (A3/A4)  
No. 11, O'Shaughnessey Road  
Bangalore, 560 025, India  
Tel: 91-80-2290061 Fax: 91-80-2290062

#### Japan

Microchip Technology Intl. Inc.  
Benex S-1 6F  
3-18-20, Shinyokohama  
Kohoku-Ku, Yokohama-shi  
Kanagawa, 222-0033, Japan  
Tel: 81-45-471- 6166 Fax: 81-45-471-6122

#### Korea

Microchip Technology Korea  
168-1, Youngbo Bldg. 3 Floor  
Samsung-Dong, Kangnam-Ku  
Seoul, Korea  
Tel: 82-2-554-7200 Fax: 82-2-558-5934

### ASIA/PACIFIC (continued)

#### Singapore

Microchip Technology Singapore Pte Ltd.  
200 Middle Road  
#07-02 Prime Centre  
Singapore, 188980  
Tel: 65-334-8870 Fax: 65-334-8850

#### Taiwan

Microchip Technology Taiwan  
11F-3, No. 207  
Tung Hua North Road  
Taipei, 105, Taiwan  
Tel: 886-2-2717-7175 Fax: 886-2-2545-0139

### EUROPE

#### Australia

Microchip Technology Australia Pty Ltd  
Suite 22, 41 Rawson Street  
Epping 2121, NSW  
Australia  
Tel: 61-2-9868-6733 Fax: 61-2-9868-6755

#### Denmark

Microchip Technology Denmark ApS  
Regus Business Centre  
Lautrup høj 1-3  
Ballerup DK-2750 Denmark  
Tel: 45 4420 9895 Fax: 45 4420 9910

#### France

Arizona Microchip Technology SARL  
Parc diActivite du Moulin de Massy  
43 Rue du Saule Trapu  
Batiment A - 1er Etage  
91300 Massy, France  
Tel: 33-1-69-53-63-20 Fax: 33-1-69-30-90-79

#### Germany

Arizona Microchip Technology GmbH  
Gustav-Heinemann Ring 125  
D-81739 Munich, Germany  
Tel: 49-89-627-144 0 Fax: 49-89-627-144-44

#### Germany

Analog Product Sales  
Lochhamer Strasse 13  
D-82152 Martinsried, Germany  
Tel: 49-89-895650-0 Fax: 49-89-895650-22

#### Italy

Arizona Microchip Technology SRL  
Centro Direzionale Colleoni  
Palazzo Taurus 1 V. Le Colleoni 1  
20041 Agrate Brianza  
Milan, Italy  
Tel: 39-039-65791-1 Fax: 39-039-6899883

#### United Kingdom

Arizona Microchip Technology Ltd.  
505 Eskdale Road  
Winnersh Triangle  
Wokingham  
Berkshire, England RG41 5TU  
Tel: 44 118 921 5869 Fax: 44-118 921-5820

All rights reserved. © 2001 Microchip Technology Incorporated. Printed in the USA. 1/01  Printed on recycled paper.

01/09/01

Information contained in this publication regarding device applications and the like is intended through suggestion only and may be superseded by updates. It is your responsibility to ensure that your application meets with your specifications. No representation or warranty is given and no liability is assumed by Microchip Technology Incorporated with respect to the accuracy or use of such information, or infringement of patents or other intellectual property rights arising from such use or otherwise. Use of Microchip's products as critical components in life support systems is not authorized except with express written approval by Microchip. No licenses are conveyed, implicitly or otherwise, except as maybe explicitly expressed herein, under any intellectual property rights. The Microchip logo and name are registered trademarks of Microchip Technology Inc. in the U.S.A. and other countries. All rights reserved. All other trademarks mentioned herein are the property of their respective companies.