

## MICROPROCESSOR MONITOR

### FEATURES

- Precision Voltage Monitor ..... Adjustable +4.5V or +4.75V
- Reset Pulse Width ..... 250msec Min
- No External Components
- Adjustable Watchdog Timer ..... 150msec, 600msec or 1.2sec
- Debounced Manual Reset Input for External Override

### APPLICATIONS

- Computers
- Controllers
- Intelligent Instruments
- Automotive Systems
- Critical  $\mu$ P Power Monitoring

### ORDERING INFORMATION

Part No.	Package	Temp. Range
TC1232COA	8-Pin SOIC	0°C to +70°C
TC1232COE	16-Pin SOIC (Wide)	0°C to +70°C
TC1232CPA	8-Pin PDIP	0°C to +70°C
TC1232EOA	8-Pin SOIC	-40°C to +85°C
TC1232EOE	16-Pin SOIC (Wide)	-40°C to +85°C
TC1232EPA	8-Pin PDIP	-40°C to +85°C

### GENERAL DESCRIPTION

The TC1232 is a fully-integrated processor supervisor. It provides three important functions to safeguard processor sanity: precision power on/off reset control, watchdog timer and external reset override.

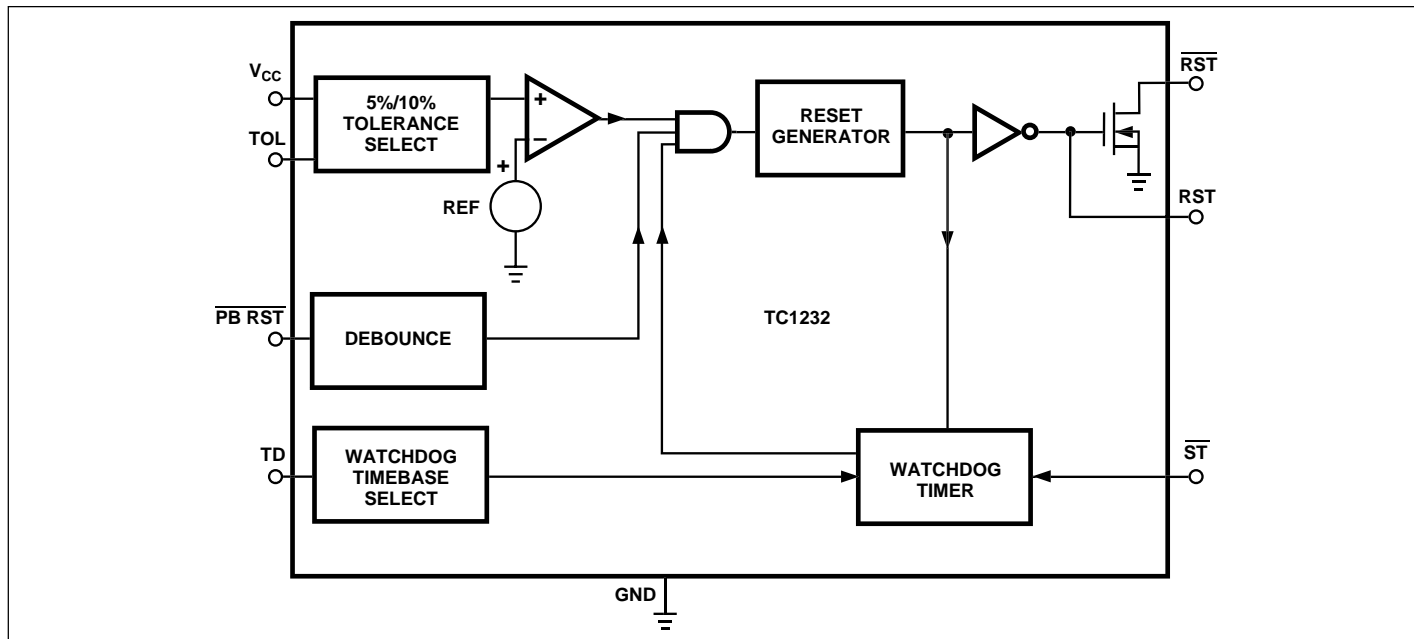
On power-up, the TC1232 holds the processor in the reset state for a minimum of 250msec after  $V_{CC}$  is within tolerance to ensure a stable system start-up.

Microprocessor sanity is monitored by the on-board watchdog circuit. The microprocessor must provide a periodic low-going signal on the  $\overline{ST}$  input. Should the processor fail to supply this signal within the selected time-out period (150msec, 600msec or 1200msec), an out-of-control processor is indicated and the TC1232 issues a processor reset as a result.

The outputs of the TC1232 are immediately driven active when the PB input is brought low by an external push-button switch or other electronic signal. When connected to a push-button switch, the TC1232 provides contact debounce.

The TC1232 is packaged in a space-saving 8-pin plastic DIP or SOIC package and requires no external components.

### FUNCTIONAL BLOCK DIAGRAM



## TC1232

### ABSOLUTE MAXIMUM RATINGS\*

Voltage on Any Pin (With Respect to GND) – 0.3V to +5.8V  
 Operating Temperature Range:  
     TC1232C ..... 0°C to +70°C  
     TC1232E ..... – 40°C to + 85°C  
 Storage Temperature Range ..... – 65°C to +150°C  
 Lead Temperature (Soldering, 10 sec) ..... +300°C

\*Stresses beyond those listed under "Absolute Maximum Ratings" may cause permanent damage to the device. These are stress ratings only, and functional operation of the device at these or any other conditions beyond those indicated in the operational sections of the specifications is not implied. Exposure to absolute maximum rating conditions for extended periods may affect device reliability.

**DC ELECTRICAL CHARACTERISTICS:**  $T_A = T_{MIN}$  to  $T_{MAX}$ ;  $V_{CC} = +4.5V$  to  $5.5V$ , unless otherwise specified.

Symbol	Parameter	Test Conditions	Min	Typ	Max	Unit
$V_{CC}$	Supply Voltage		4.5	5.0	5.5	V
$V_{IH}$	$\overline{ST}$ and $\overline{PB RST}$ Input High Level	Note 1	2.0	—	$V_{CC} + 0.3$	V
$V_{IL}$	$\overline{ST}$ and $\overline{PB RST}$ Input Low Level		– 0.3	—	+0.8	V
$I_L$	Input Leakage $\overline{ST}$ , TOL		– 1.0	—	+1.0	$\mu A$
$I_{OH}$	Output Current RST	$V_{OH} = 2.4V$	– 1.0	–12	—	mA
$I_{OL}$	Current RST, $\overline{RST}$	$V_{OL} = 0.4V$	2.0	10	—	mA
$I_{CC}$	Operating Current	Note 2	—	50	200	$\mu A$
$V_{CCTP}$	$V_{CC}$ 5% Trip Point (Note 3)	TOL = GND	4.50	4.62	4.74	V
$V_{CCTP}$	$V_{CC}$ 10% Trip Point (Note 3)	TOL = $V_{CC}$	4.25	4.37	4.49	V

### CAPACITANCE (Note 4): $T_A = +25^\circ C$

Symbol	Parameters	Test Conditions	Min	Typ	Max	Units
$C_{IN}$	Input Capacitance $\overline{ST}$ , TOL		—	—	5	pF
$C_{OUT}$	Output Capacitance RST, $\overline{RST}$		—	—	7	pF

**AC ELECTRICAL CHARACTERISTICS:**  $T_A = T_{MIN}$  to  $T_{MAX}$ ;  $V_{CC} = +5V$  to  $\pm 10\%$ , unless otherwise specified.

Symbol	Parameters	Test Conditions	Min	Typ	Max	Units
$t_{PB}$	$\overline{PB RST}$ (Note 5)	Figure 3	20	—	—	msec
$t_{PBD}$	$\overline{PB RST}$ Delay	Figure 3	1	4	20	msec
$t_{RST}$	Reset Active Time		250	610	1000	msec
$t_{ST}$	$\overline{ST}$ Pulse Width	Figure 4	20	—	—	nsec
$t_{TD}$	$\overline{ST}$ Time-out Period	Figure 4				
		TD Pin = 0V	62.5	150	250	msec
		TD Pin = Open	250	600	1000	msec
		TD Pin = $V_{CC}$	500	1200	2000	msec
$t_F$	$V_{CC}$ Fall Time (Note 4)	Figure 5	10	—	—	$\mu sec$

# MICROPROCESSOR MONITOR

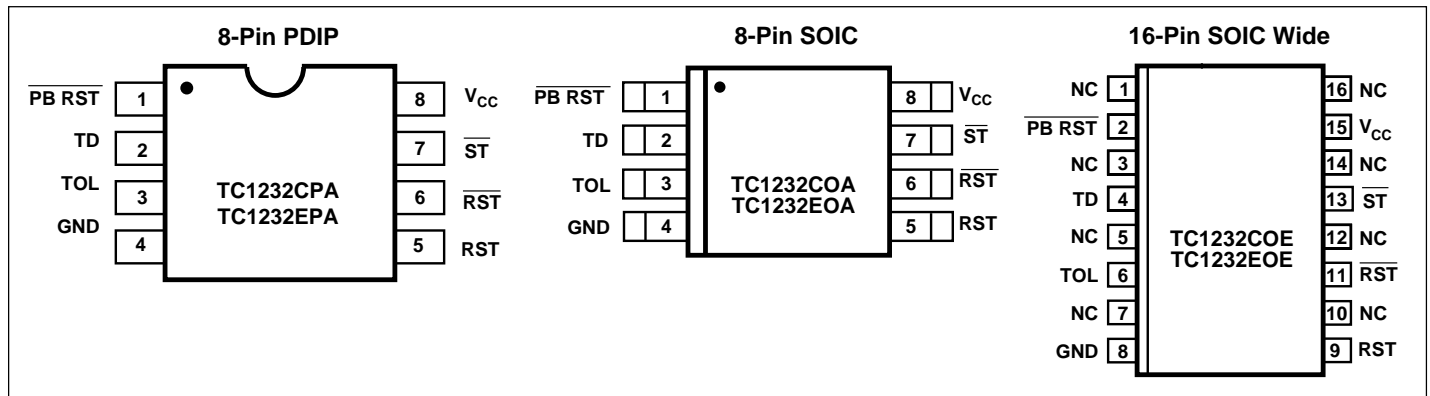
TC1232

## AC ELECTRICAL CHARACTERISTICS: (Cont.) $T_A = T_{MIN}$ to $T_{MAX}$ ; $V_{CC} = +5V$ to $\pm 10\%$ , unless otherwise specified.

Symbol	Parameter	Test Conditions	Min	Typ	Max	Units
$t_R$	$V_{CC}$ Rise Time (Note 4)	Figure 6	0	—	—	$\mu\text{sec}$
$t_{RPD}$	$V_{CC}$ Detect to RST High and RST Low	Figure 7, $V_{CC}$ Falling	—	—	100	nsec
$t_{RPU}$	$V_{CC}$ Detect to RST High and RST Open (Note 6)	Figure 8, $V_{CC}$ Rising	250	610	1000	msec

- NOTES:**
1.  $\overline{\text{PB RST}}$  is internally pulled up to  $V_{CC}$  with an internal impedance of typically 40k $\Omega$ .
  2. Measured with outputs open.
  3. All voltages referenced to GND.
  4. Guaranteed by design.
  5.  $\overline{\text{PB RST}}$  must be held low for a minimum of 20msec to guarantee a reset.
  6.  $t_R = 5\mu\text{sec}$ .

## PIN CONFIGURATIONS



## PIN DESCRIPTION

Pin No. (8-Pin PDIP)	Pin No. (8-Pin SOIC)	Pin No. (16-Pin SOIC)	Symbol	Description
1	1	2	$\overline{\text{PB RST}}$	Push-button Reset Input. A debounced active-low input that ignores pulses less than 1msec in duration and is guaranteed to recognize inputs of 20msec or greater.
2	2	4	TD	Time Delay Set. The watchdog time-out select input ( $t_{TD} = 150\text{msec}$ for TD = 0V, $t_{TD} = 600\text{msec}$ for TD = open, $t_{TD} = 1.2\text{sec}$ for TD = $V_{CC}$ ).
3	3	6	TOL	Tolerance Input. Connect to GND for 5% tolerance or to $V_{CC}$ for 10% tolerance.
4	4	8	GND	Ground.
5	5	9	RST	Reset Output (Active High) - goes active: <ol style="list-style-type: none"> <li>1. If <math>V_{CC}</math> falls below the selected reset voltage threshold</li> <li>2. If <math>\overline{\text{PB RST}}</math> is forced low</li> <li>3. If <math>\overline{\text{ST}}</math> is not strobed within the minimum time-out period</li> <li>4. During power-up</li> </ol>
6	6	11	$\overline{\text{RST}}$	Reset Output (Active Low, Open Drain) - see RST.
7	7	13	$\overline{\text{ST}}$	Strobe Input. Input for watchdog timer.
8	8	15	$V_{CC}$	The +5V Power-Supply Input.
		1, 3, 5, 7, 10, 12, 14, 16	NC	No Internal Connection.

## TC1232

## DETAILED DESCRIPTION

## Power Monitor

The TC1232 detects out-of-tolerance power supply conditions and warns a processor-based system of an impending power failure. When  $V_{CC}$  is detected as below the preset level defined by TOL, the  $V_{CC}$  comparator outputs the signals  $\overline{RST}$  and  $RST$ . If TOL is connected to ground, the  $RST$  and  $\overline{RST}$  signals become active as  $V_{CC}$  falls below 4.75 volts. If TOL is connected to  $V_{CC}$ , the  $RST$  and  $\overline{RST}$  become active as  $V_{CC}$  falls below 4.5 volts. Because the processing is stopped at the last possible moment of valid  $V_{CC}$ , the  $RST$  and  $\overline{RST}$  are excellent control signals for a  $\mu P$ . The reset outputs will remain in their active states until  $V_{CC}$  has been continuously in-tolerance for a minimum of 250msec allowing the power supply and  $\mu P$  to stabilize before  $\overline{RST}$  is released.

## Push-button Reset Input

The debounced manual reset input ( $\overline{PB\ RST}$ ) manually forces the reset outputs into their active states. Once  $\overline{PB\ RST}$  has been low for a time  $t_{PBD}$ , the push-button delay time, the reset outputs go active. The reset outputs remain in their active states for a minimum of 250msec after  $\overline{PB\ RST}$  rises above  $V_{IH}$  (Figure 3).

A mechanical push-button or active logic signal can drive the  $\overline{PB\ RST}$  input. The debounced input ignores input pulses less than 1msec and is guaranteed to recognize pulses of 20msec or greater. No external pull-up resistor is required because the  $\overline{PB\ RST}$  input has an internal pull-up to  $V_{CC}$  of approximately 100 $\mu A$ .

## Watchdog Timer

When the  $\overline{ST}$  input is not stimulated for a preset time period, the watchdog timer function forces  $RST$  and  $\overline{RST}$  signals to the active state. The preset time period is determined by the  $\overline{TD}$  inputs to be 150msec with TD connected to ground, 600msec with TD floating, or 1200msec with TD connected to  $V_{CC}$ , typical. The watchdog timer starts timing out from the set time period as soon as  $RST$  and  $\overline{RST}$  are inactive. If a high-to-low transition occurs on the ST input pin prior to time-out, the watchdog timer is reset and begins to time-out again. If the watchdog timer is allowed to time-out, then the  $RST$  and  $\overline{RST}$  signals are driven to the active state for 250msec minimum (Figure 2).

The software routine that strobes  $\overline{ST}$  is critical. The code must be in a section of software that is executed frequently enough so the time between toggles is less than the watchdog time-out period. One common technique controls the  $\mu P$  I/O line from two sections of the program. The software might set the I/O line high while operating in

the foreground mode and set it low while in the background or interrupt mode. If both modes do not execute correctly, the watchdog timer issues reset pulses.

## Supply Monitor Noise Sensitivity

The TC1232 is optimized for fast response to negative-going changes in  $V_{DD}$ . Systems with an inordinate amount of electrical noise on  $V_{DD}$  (such as systems using relays), may require a 0.01 $\mu F$  or 0.1 $\mu F$  bypass capacitor to reduce detection sensitivity. This capacitor should be installed as close to the TC1232 as possible to keep the capacitor lead length short.

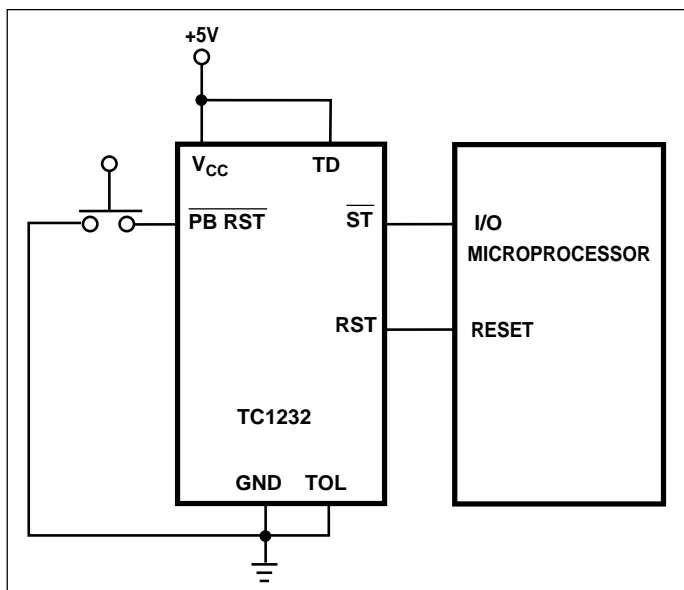


Figure 1. Push-button Reset

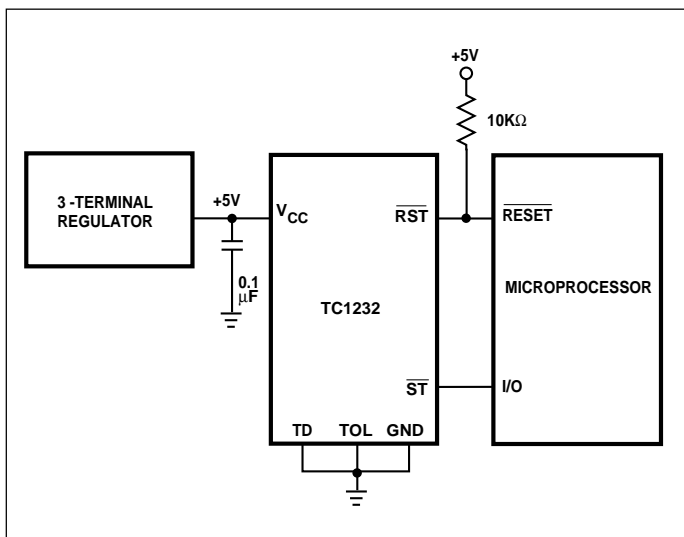
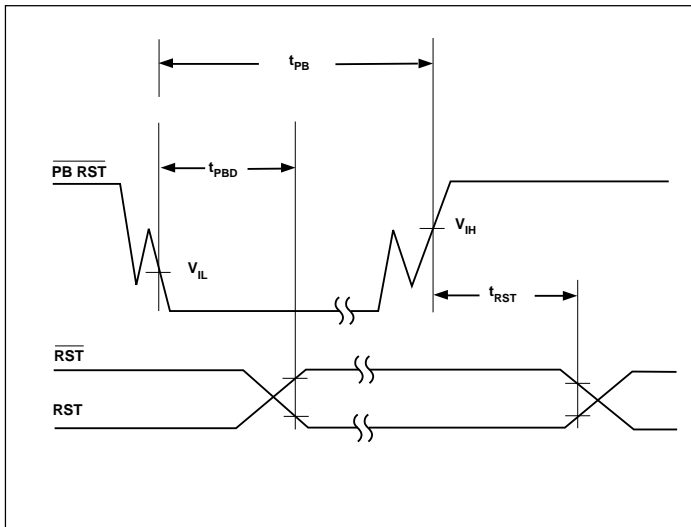
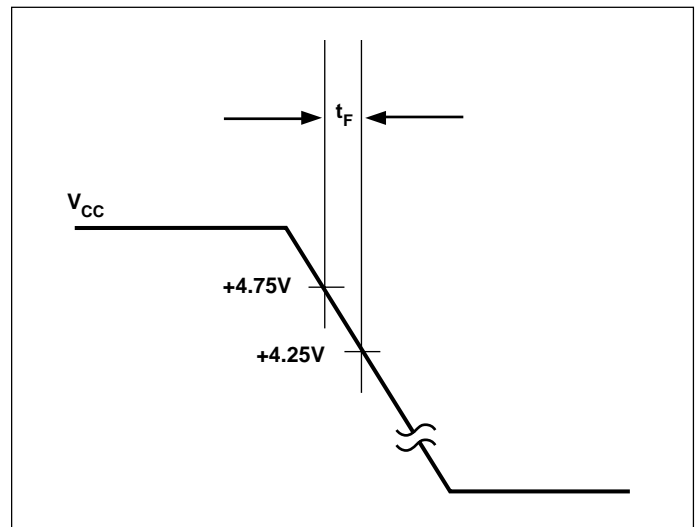


Figure 2. Watchdog Timer

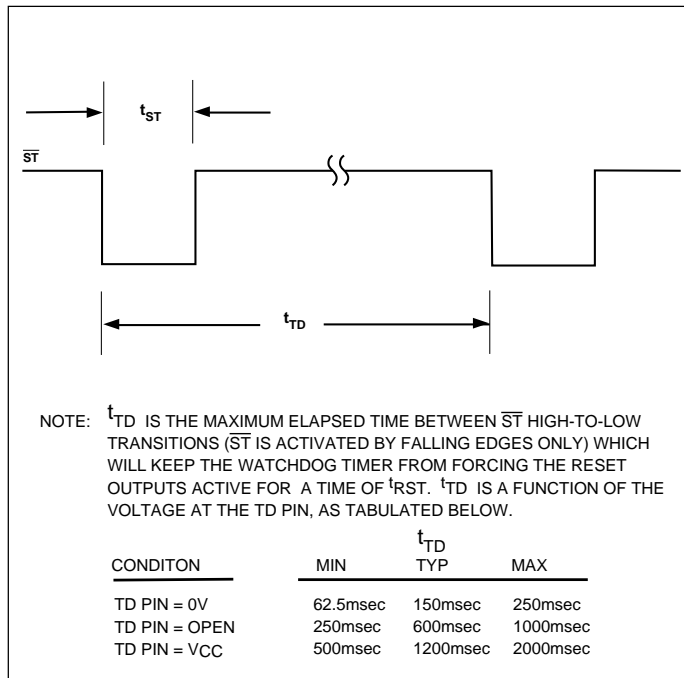


**Figure 3. Push-button Reset.** The debounced  $\overline{\text{PB RST}}$  input ignores input pulses less than 1msec and is guaranteed to recognize pulses of 20msec or greater

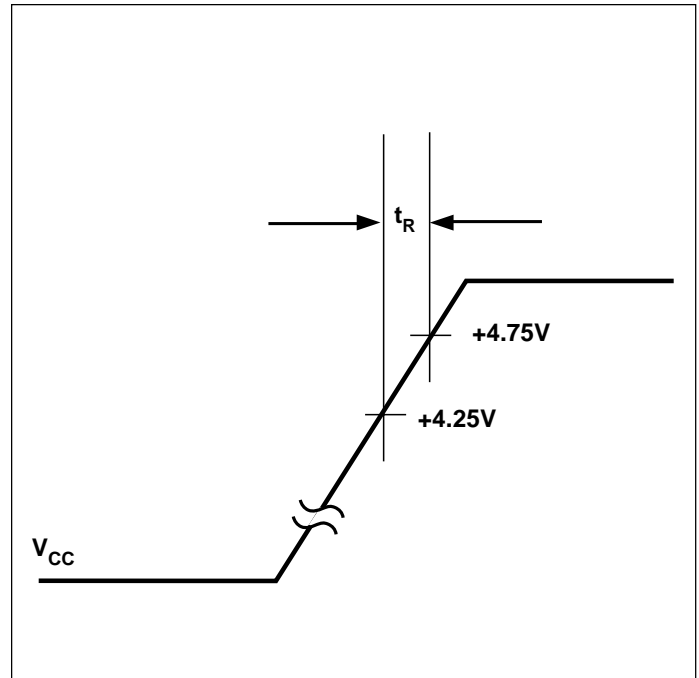


**Figure 5. Power-Down Slew Rate**

## PUSH-BUTTON RESET



**Figure 4. Strobe Input**



**Figure 6. Power-Up Slew Rate**

## TC1232

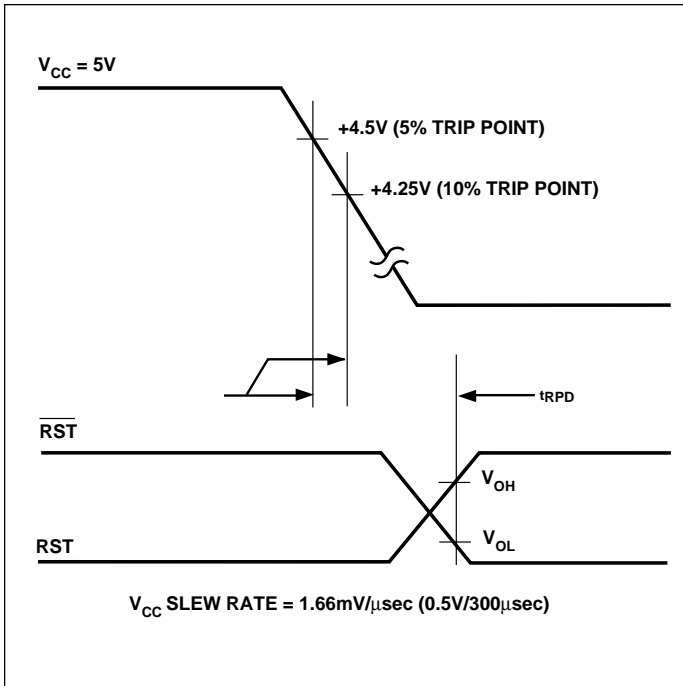


Figure 7. V<sub>CC</sub> Detect Reset Output Delay (Power-Down)

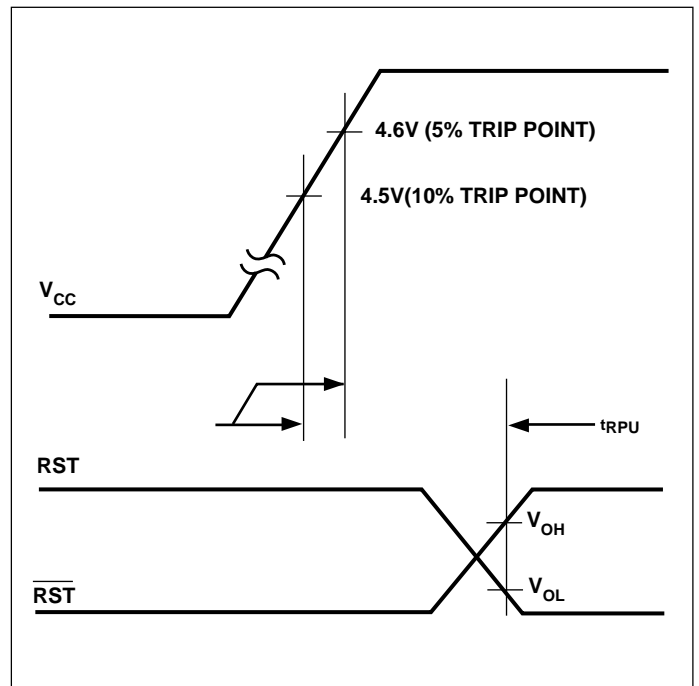
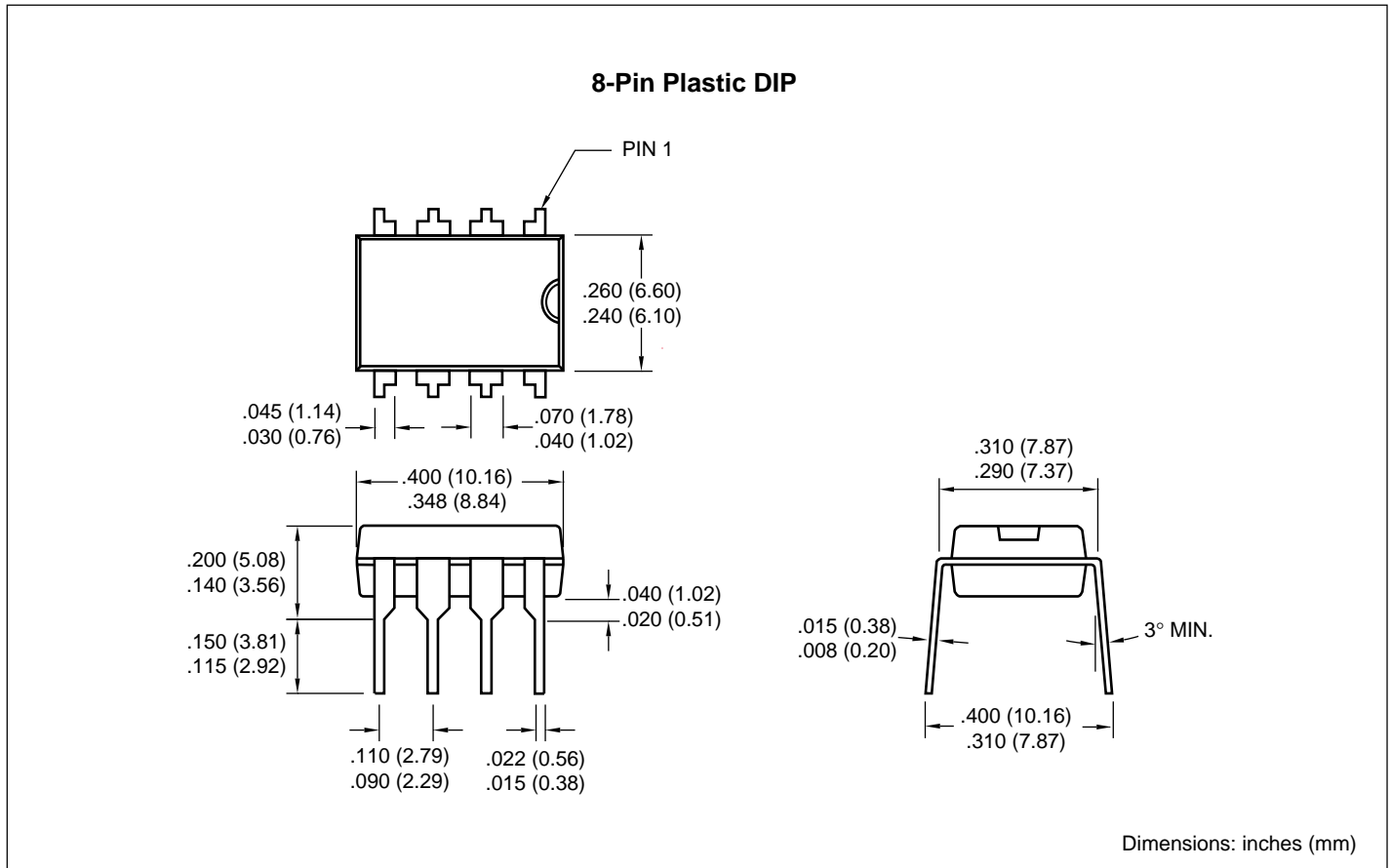


Figure 8. V<sub>CC</sub> Detect Reset Output Delay (Power-Up)

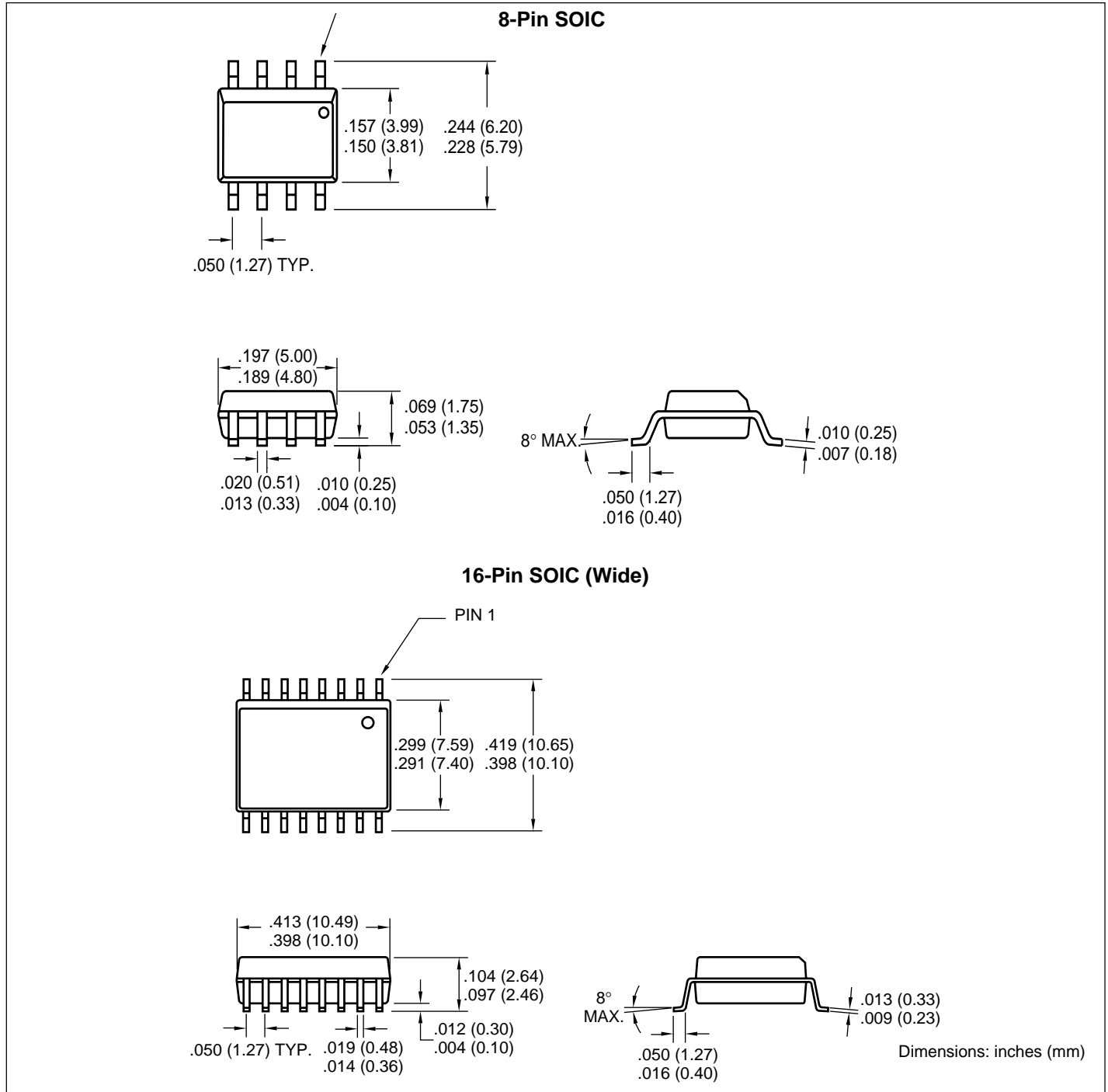
## PACKAGE DIMENSIONS



# MICROPROCESSOR MONITOR

TC1232

## PACKAGE DIMENSIONS (CONT.)





## WORLDWIDE SALES AND SERVICE

### AMERICAS

#### Corporate Office

2355 West Chandler Blvd.  
Chandler, AZ 85224-6199  
Tel: 480-792-7200 Fax: 480-792-7277  
Technical Support: 480-792-7627  
Web Address: <http://www.microchip.com>

#### Rocky Mountain

2355 West Chandler Blvd.  
Chandler, AZ 85224-6199  
Tel: 480-792-7966 Fax: 480-792-7456

#### Atlanta

500 Sugar Mill Road, Suite 200B  
Atlanta, GA 30350  
Tel: 770-640-0034 Fax: 770-640-0307

#### Austin

Analog Product Sales  
8303 MoPac Expressway North  
Suite A-201  
Austin, TX 78759  
Tel: 512-345-2030 Fax: 512-345-6085

#### Boston

2 Lan Drive, Suite 120  
Westford, MA 01886  
Tel: 978-692-3848 Fax: 978-692-3821

#### Boston

Analog Product Sales  
Unit A-8-1 Millbrook Tarry Condominium  
97 Lowell Road  
Concord, MA 01742  
Tel: 978-371-6400 Fax: 978-371-0050

#### Chicago

333 Pierce Road, Suite 180  
Itasca, IL 60143  
Tel: 630-285-0071 Fax: 630-285-0075

#### Dallas

4570 Westgrove Drive, Suite 160  
Addison, TX 75001  
Tel: 972-818-7423 Fax: 972-818-2924

#### Dayton

Two Prestige Place, Suite 130  
Miamisburg, OH 45342  
Tel: 937-291-1654 Fax: 937-291-9175

#### Detroit

Tri-Atria Office Building  
32255 Northwestern Highway, Suite 190  
Farmington Hills, MI 48334  
Tel: 248-538-2250 Fax: 248-538-2260

#### Los Angeles

18201 Von Karman, Suite 1090  
Irvine, CA 92612  
Tel: 949-263-1888 Fax: 949-263-1338

#### Mountain View

Analog Product Sales  
1300 Terra Bella Avenue  
Mountain View, CA 94043-1836  
Tel: 650-968-9241 Fax: 650-967-1590

#### New York

150 Motor Parkway, Suite 202  
Hauppauge, NY 11788  
Tel: 631-273-5305 Fax: 631-273-5335

#### San Jose

Microchip Technology Inc.  
2107 North First Street, Suite 590  
San Jose, CA 95131  
Tel: 408-436-7950 Fax: 408-436-7955

#### Toronto

6285 Northam Drive, Suite 108  
Mississauga, Ontario L4V 1X5, Canada  
Tel: 905-673-0699 Fax: 905-673-6509

### ASIA/PACIFIC

#### China - Beijing

Microchip Technology Beijing Office  
Unit 915  
New China Hong Kong Manhattan Bldg.  
No. 6 Chaoyangmen Beidajie  
Beijing, 100027, No. China  
Tel: 86-10-85282100 Fax: 86-10-85282104

#### China - Shanghai

Microchip Technology Shanghai Office  
Room 701, Bldg. B  
Far East International Plaza  
No. 317 Xian Xia Road  
Shanghai, 200051  
Tel: 86-21-6275-5700 Fax: 86-21-6275-5060

#### Hong Kong

Microchip Asia Pacific  
RM 2101, Tower 2, Metroplaza  
223 Hing Fong Road  
Kwai Fong, N.T., Hong Kong  
Tel: 852-2401-1200 Fax: 852-2401-3431

#### India

Microchip Technology Inc.  
India Liaison Office  
Divyasree Chambers  
1 Floor, Wing A (A3/A4)  
No. 11, O'Shaughnessy Road  
Bangalore, 560 025, India  
Tel: 91-80-2290061 Fax: 91-80-2290062

#### Japan

Microchip Technology Intl. Inc.  
Benex S-1 6F  
3-18-20, Shinyokohama  
Kohoku-Ku, Yokohama-shi  
Kanagawa, 222-0033, Japan  
Tel: 81-45-471-6166 Fax: 81-45-471-6122

#### Korea

Microchip Technology Korea  
168-1, Youngbo Bldg. 3 Floor  
Samsung-Dong, Kangnam-Ku  
Seoul, Korea  
Tel: 82-2-554-7200 Fax: 82-2-558-5934

### ASIA/PACIFIC (continued)

#### Singapore

Microchip Technology Singapore Pte Ltd.  
200 Middle Road  
#07-02 Prime Centre  
Singapore, 188980  
Tel: 65-334-8870 Fax: 65-334-8850

#### Taiwan

Microchip Technology Taiwan  
11F-3, No. 207  
Tung Hua North Road  
Taipei, 105, Taiwan  
Tel: 886-2-2717-7175 Fax: 886-2-2545-0139

### EUROPE

#### Australia

Microchip Technology Australia Pty Ltd  
Suite 22, 41 Rawson Street  
Epping 2121, NSW  
Australia  
Tel: 61-2-9868-6733 Fax: 61-2-9868-6755

#### Denmark

Microchip Technology Denmark ApS  
Regus Business Centre  
Lautrup hoj 1-3  
Ballerup DK-2750 Denmark  
Tel: 45 4420 9895 Fax: 45 4420 9910

#### France

Arizona Microchip Technology SARL  
Parc d'Activite du Moulin de Massy  
43 Rue du Saule Trapu  
Batiment A - 1er Etage  
91300 Massy, France  
Tel: 33-1-69-53-63-20 Fax: 33-1-69-30-90-79

#### Germany

Arizona Microchip Technology GmbH  
Gustav-Heinemann Ring 125  
D-81739 Munich, Germany  
Tel: 49-89-627-144 0 Fax: 49-89-627-144-44

#### Germany

Analog Product Sales  
Lochhamer Strasse 13  
D-82152 Martinsried, Germany  
Tel: 49-89-895650-0 Fax: 49-89-895650-22

#### Italy

Arizona Microchip Technology SRL  
Centro Direzionale Colleoni  
Palazzo Taurus 1 V. Le Colleoni 1  
20041 Agrate Brianza  
Milan, Italy  
Tel: 39-039-65791-1 Fax: 39-039-6899883

#### United Kingdom

Arizona Microchip Technology Ltd.  
505 Eskdale Road  
Winkersham Triangle  
Wokingham  
Berkshire, England RG41 5TU  
Tel: 44 118 921 5869 Fax: 44-118 921-5820

All rights reserved. © 2001 Microchip Technology Incorporated. Printed in the USA. 1/01  Printed on recycled paper.

01/09/01

Information contained in this publication regarding device applications and the like is intended through suggestion only and may be superseded by updates. It is your responsibility to ensure that your application meets with your specifications. No representation or warranty is given and no liability is assumed by Microchip Technology Incorporated with respect to the accuracy or use of such information, or infringement of patents or other intellectual property rights arising from such use or otherwise. Use of Microchip's products as critical components in life support systems is not authorized except with express written approval by Microchip. No licenses are conveyed, implicitly or otherwise, except as maybe explicitly expressed herein, under any intellectual property rights. The Microchip logo and name are registered trademarks of Microchip Technology Inc. in the U.S.A. and other countries. All rights reserved. All other trademarks mentioned herein are the property of their respective companies.