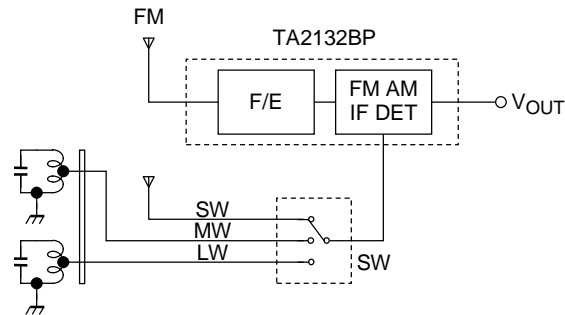


Audio IC Application Circuit

TAN-323

Application Circuit Example of 4-Band (FM, SW, MW, LW) 3 V Tuner
TA2132BP

1. Outline



The above is an application circuit example of a 4-band (FM, SW, MW, LW) 3 V tuner.

The TA2132BP is a single-chip FM/AM mono tuner IC. The four-band antenna and local oscillator are switched by a lever switch (6-circuit, 4-contact).

Tracking is adjusted using a multi-band variable capacitor.

2. Ratings

Characteristic	Rating			
	FM	SW	MW	LW
Supply voltage	3 V			
Signal frequency range	87~108.8 MHz	5.7~15.5 MHz	508~1650 kHz	140~285 kHz
Intermediate frequency	10.7 MHz	455 kHz		
Sensitivity	13.5dB μ V EMF (S/N = 30dB)	7dB μ V EMF ($V_o = 10$ mVrms)	33.5dB μ V/m ($V_o = 10$ mVrms)	48dB μ V/m ($V_o = 10$ mVrms)

000707EBA1

• TOSHIBA is continually working to improve the quality and reliability of its products. Nevertheless, semiconductor devices in general can malfunction or fail due to their inherent electrical sensitivity and vulnerability to physical stress. It is the responsibility of the buyer, when utilizing TOSHIBA products, to comply with the standards of safety in making a safe design for the entire system, and to avoid situations in which a malfunction or failure of such TOSHIBA products could cause loss of human life, bodily injury or damage to property.
In developing your designs, please ensure that TOSHIBA products are used within specified operating ranges as set forth in the most recent TOSHIBA products specifications. Also, please keep in mind the precautions and conditions set forth in the "Handling Guide for Semiconductor Devices," or "TOSHIBA Semiconductor Reliability Handbook" etc..

• The TOSHIBA products listed in this document are intended for usage in general electronics applications (computer, personal equipment, office equipment, measuring equipment, industrial robotics, domestic appliances, etc.). These TOSHIBA products are neither intended nor warranted for usage in equipment that requires extraordinarily high quality and/or reliability or a malfunction or failure of which may cause loss of human life or bodily injury ("Unintended Usage"). Unintended Usage include atomic energy control instruments, airplane or spaceship instruments, transportation instruments, traffic signal instruments, combustion control instruments, medical instruments, all types of safety devices, etc.. Unintended Usage of TOSHIBA products listed in this document shall be made at the customer's own risk.

• The products described in this document are subject to the foreign exchange and foreign trade laws.

• The information contained herein is presented only as a guide for the applications of our products. No responsibility is assumed by TOSHIBA CORPORATION for any infringements of intellectual property or other rights of the third parties which may result from its use. No license is granted by implication or otherwise under any intellectual property or other rights of TOSHIBA CORPORATION or others.

• The information contained herein is subject to change without notice.

3. Precautions for Use

FM:

- (1) Be sure to insert a bypass capacitor between VCC and the IC's GND pins (pins 5 and 8). If a bypass capacitor is not inserted, oscillation may occur at low input. Also be sure to minimize common impedance from the printed circuit board pattern.
- (2) Insert an inductor (10 μH) as decoupling in the power line connecting the VCC (pin 5) to the RF tank circuit, OSC circuit, and pin 14. This improves the stability of the S curve.
- (3) Insert a bypass capacitor (0.033 μF or higher) between RF VCC and the RF GND pins (pins 14 and 2). If 0.022 μF or lower is used, beat or oscillation may occur.

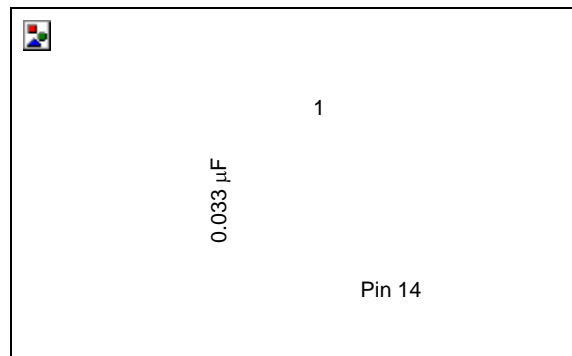


Figure 1

- (4) For adjustment-free operation, a discriminator CDA 10.7MG92C (Murata) is used for the detector.

MW:

- (1) The decoupling capacitor (0.033 μF) connected to the VCC line between pin 5 and the RF tank and OSC circuits reduces interference such as high-frequency noise.
- (2) As the AM ceramic filter, SFU455B (Murata) is used.

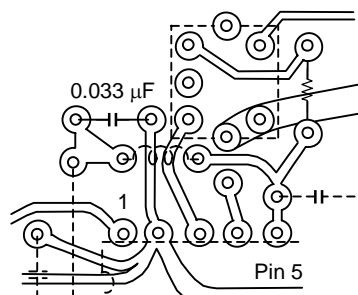
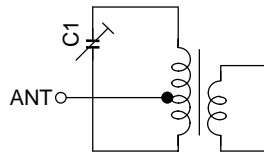


Figure 2

SW:

The antenna circuit (primary tuning transformer side) has a full tap to improve sensitivity. Stray capacitance, which depends on the printed circuit board pattern, cannot be ignored. The trimmer capacitance (C1) may exceed the range when adjusting the sensitivity. In such a case, reduce the stray capacitance using a transformer with a tap.



SW antenna coil

Figure 3

Other precautions

- **AM gain increase**
When sensitivity is insufficient for MW or LW, increase the number of turns of antenna coil on the secondary transformer.
- **Padding capacitor**
The AM antenna and the local oscillator circuits are switched using the multi-band variable capacitor. Thus, capacitance must be determined according each band frequency. Use a padding capacitor with small capacitance error and high Q.
- **SW test circuit (ANT)**
The SW characteristics are measured using the pseudo antenna circuit shown in Figure 4 below.

Pseudo antenna circuit

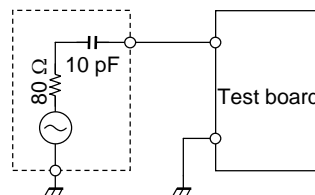


Figure 4

- **AM local oscillator**
The distance from the oscillator for multi bands to pin 12 is long due to restrictions on component allocation. As a result, some faults such as parasitic oscillation, oscillation halt, and undesirable local oscillation may be caused. Especially when the pattern line is long, the AC impedance component cannot be ignored. Oscillation may occur in the parasitic circuit shown in Figure 5. The oscillation can be avoided by inserting a resistor (75 Ω) in series.

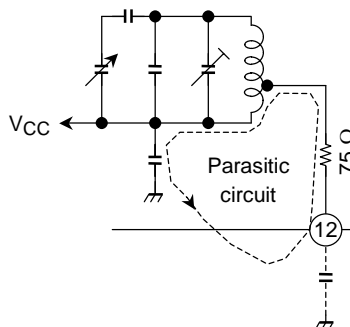
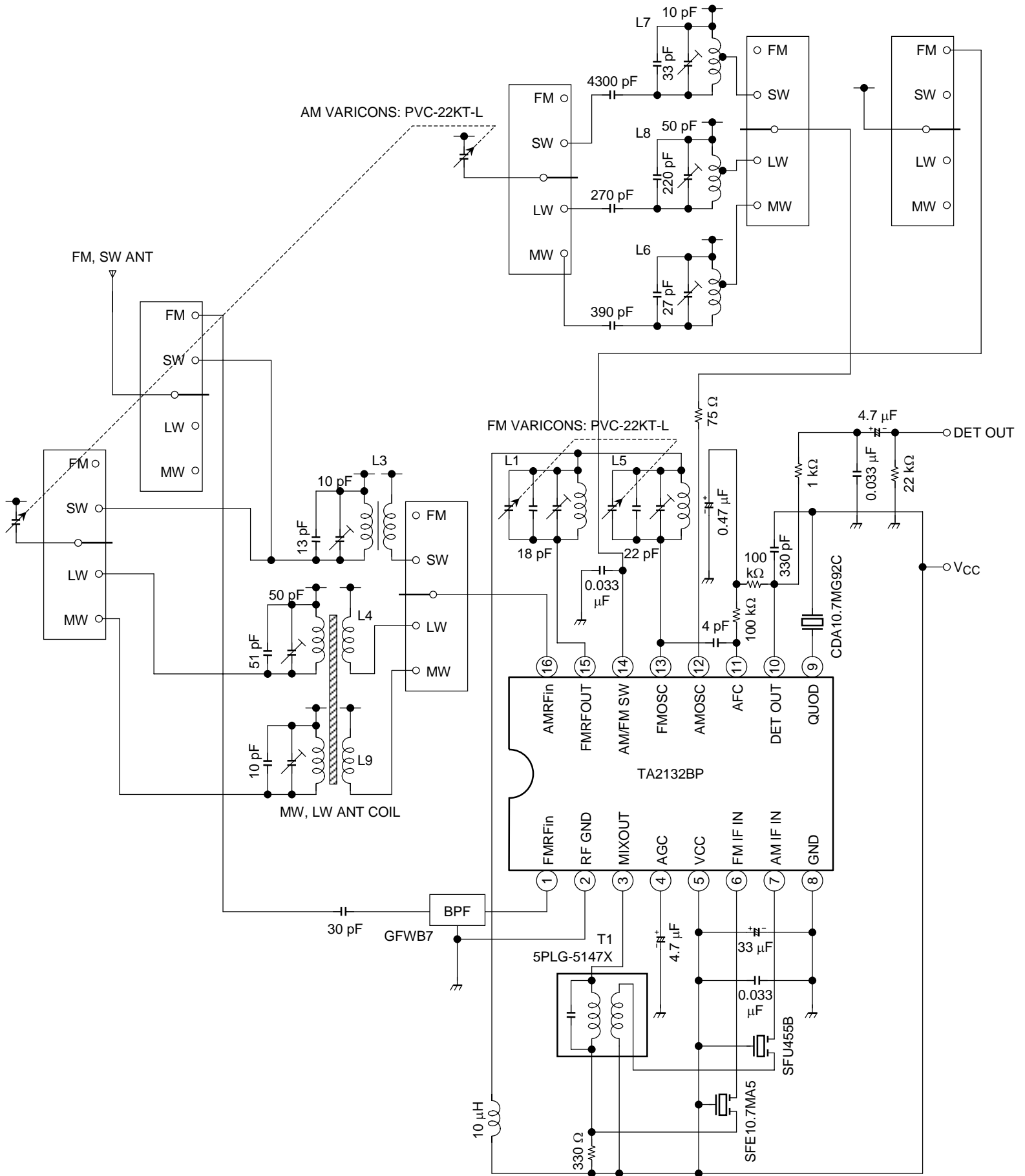


Figure 5

**TA2132BP-4BAND (FM, SW, MW, LW)
Application Circuit**

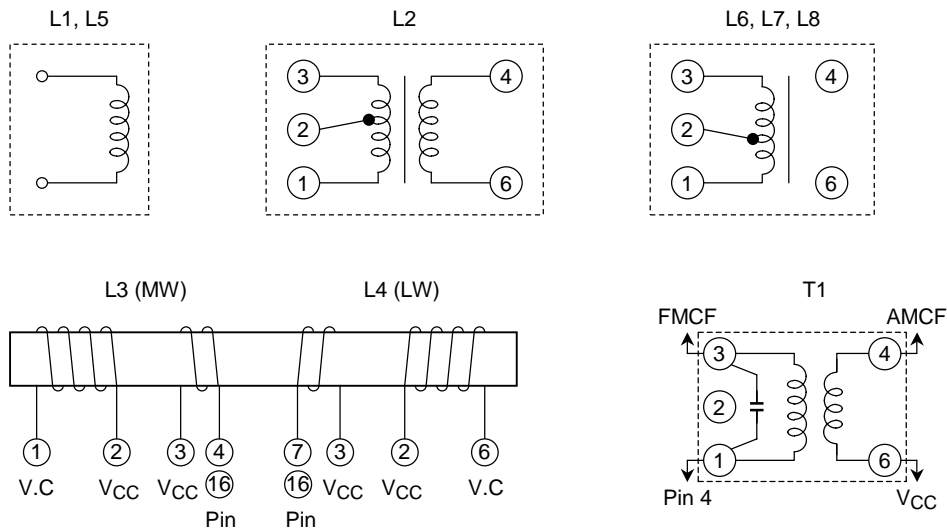


Coil Specification

No.	Stage	f (Hz)	L (μH)	C (pF)	Q	Turns				Wire (mm)	Note
						1-2	2-3	1-3	4-6		
L1	FM RF	100 M	0.06	—	100	—	—	2 $\frac{1}{4}$	—	0.5 φ UEW	(S) 0258-000-021
L2	SW ANT	7.96 M	2.1	—	105	3	7	10	8	0.08 φ MUEW	(S) 4148-3167-063
L3	MW ANT	796 k	285	—	200	69	—	13 (3-4)	—	7/0.07 φ UATC	(M) MSE-0118-1
L4	LW ANT	252 k	2910	—	100	—	—	218 (2-6)	16 (7-3)	4/0.07 φ USTC	
L5	FM OSC	100 M	0.045	—	100	—	—	1 $\frac{3}{4}$	—	0.5 φ UEW	(S) 0258-000-020
L6	SW OSC	7.96 M	1.85	—	85	6	5	11	—	0.1 φ UEW	(S) 2158-4095-508
L7	MW OSC	796 k	120	—	120	13	56	—	—	0.07 φ UEW	(T) A7BRS-12552Y
L8	LW OSC	796 k	170	—	120	29	63	92	—	0.07 φ UEW	(S) 4155-2239-074A
T1	MW IFT	455 k	—	470	60	—	—	109	7	0.05 φ UEW	(T) 5PLG-5147X

S: SUMIDA ELECTRIC CO., LTD
M: MITSUMI (SEGAMAT) SDN. BHD
T: Toko, inc

Pin Connections (Bottom view)



Example of Printed Circuit Board Pattern

