

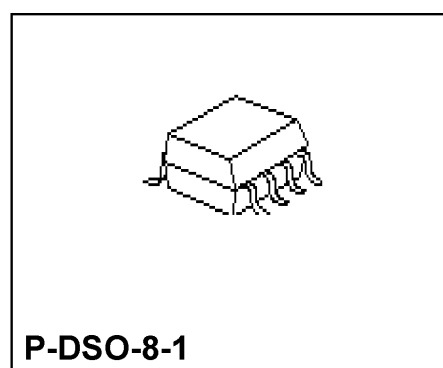
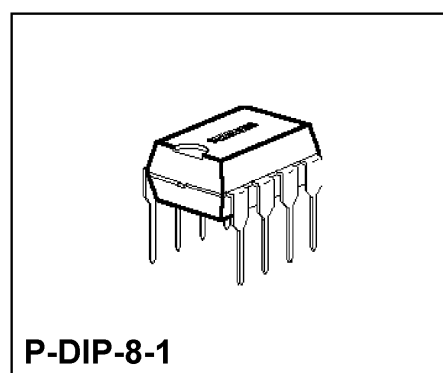
Bipolar IC

Features

- Supply voltage range between 3 V and 36 V
- Low current consumption, 0.8 mA typ.
- Extremely large control range
- Low output saturation voltage, almost independent of load current
- Output current up to 70 mA (max. 100 mA)
- Output virtually short-circuit proof
- Wide common-mode voltage range
- Wide operating temperature range (TAF 2453 A; G)
- Pin-compatible to TBB 1458 B
- The characteristic curves of the electric parameters correspond to those of type TAE 1453 A; G

Applications

- Amplifier
- Level converter
- Driver
- Zero voltage switch
- Comparator



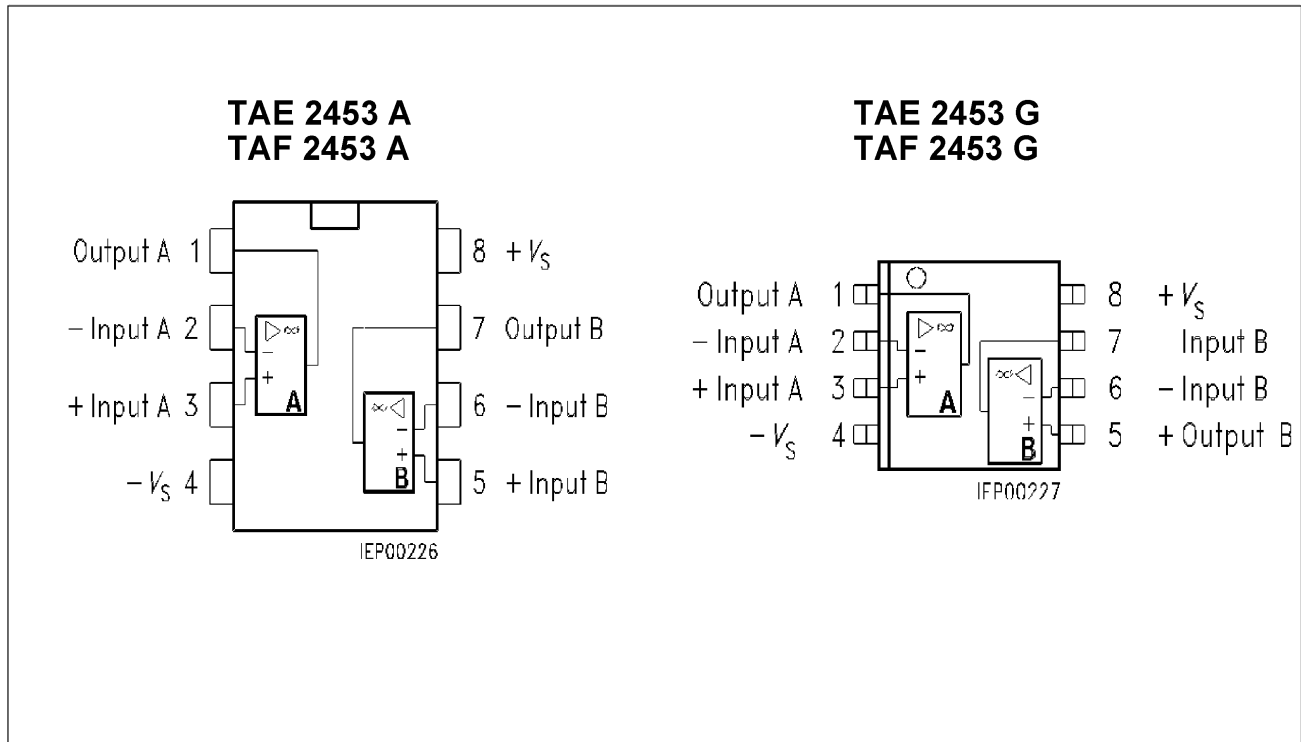
Type	Ordering Code	Package
■ TAE 2453 A	Q67000-A2107	P-DIP-8-1
TAE 2453 G	Q67000-A2108	P-DSO-8-1 (SMD)
■ TAF 2453 A	Q67000-A2210	P-DIP-8-1
TAF 2453 G	Q67000-A2211	P-DSO-8-1 (SMD)

■ Not for new design

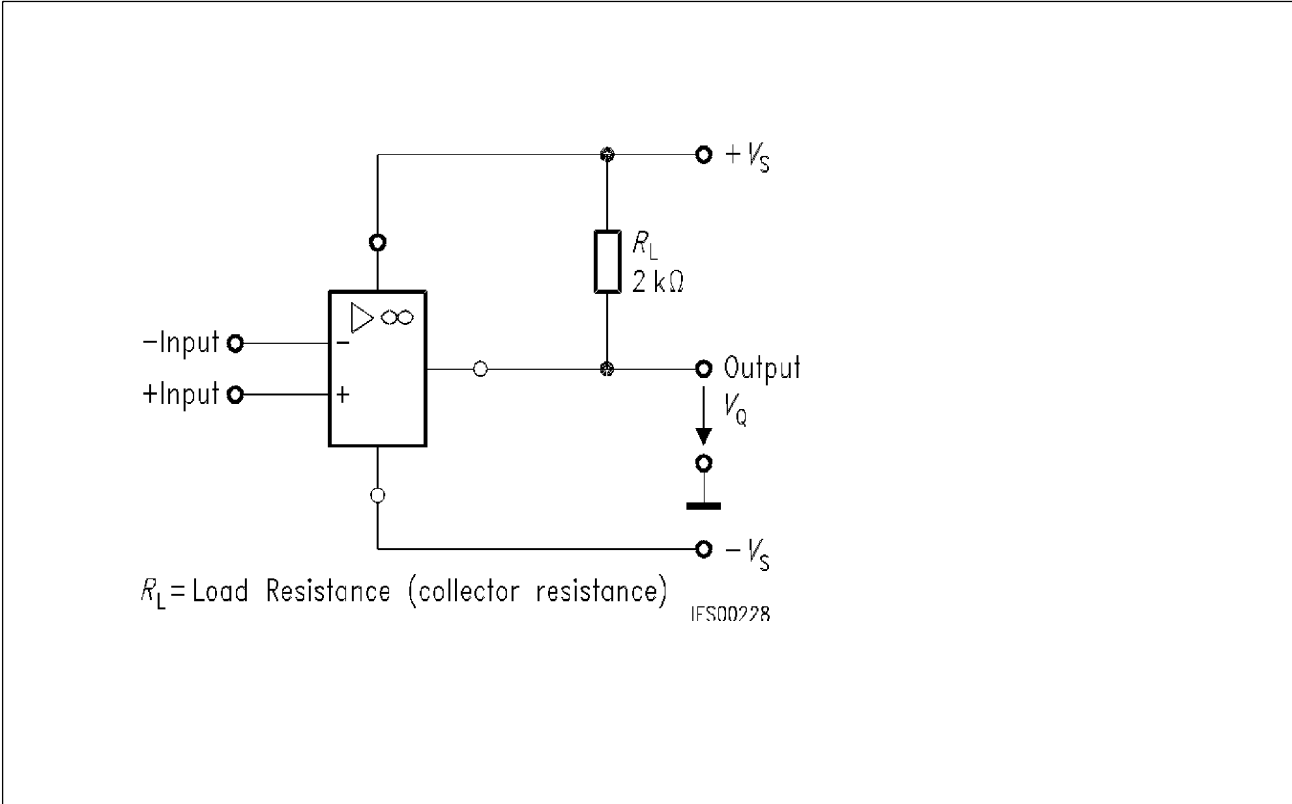
The TAF 2453 / TAE 2453 consists of two independent, frequency-compensated op amps, each having a PNP-input differential stage and an open collector output. The

integrated regulator provides for all parameters a large degree of independence from the supply voltage.

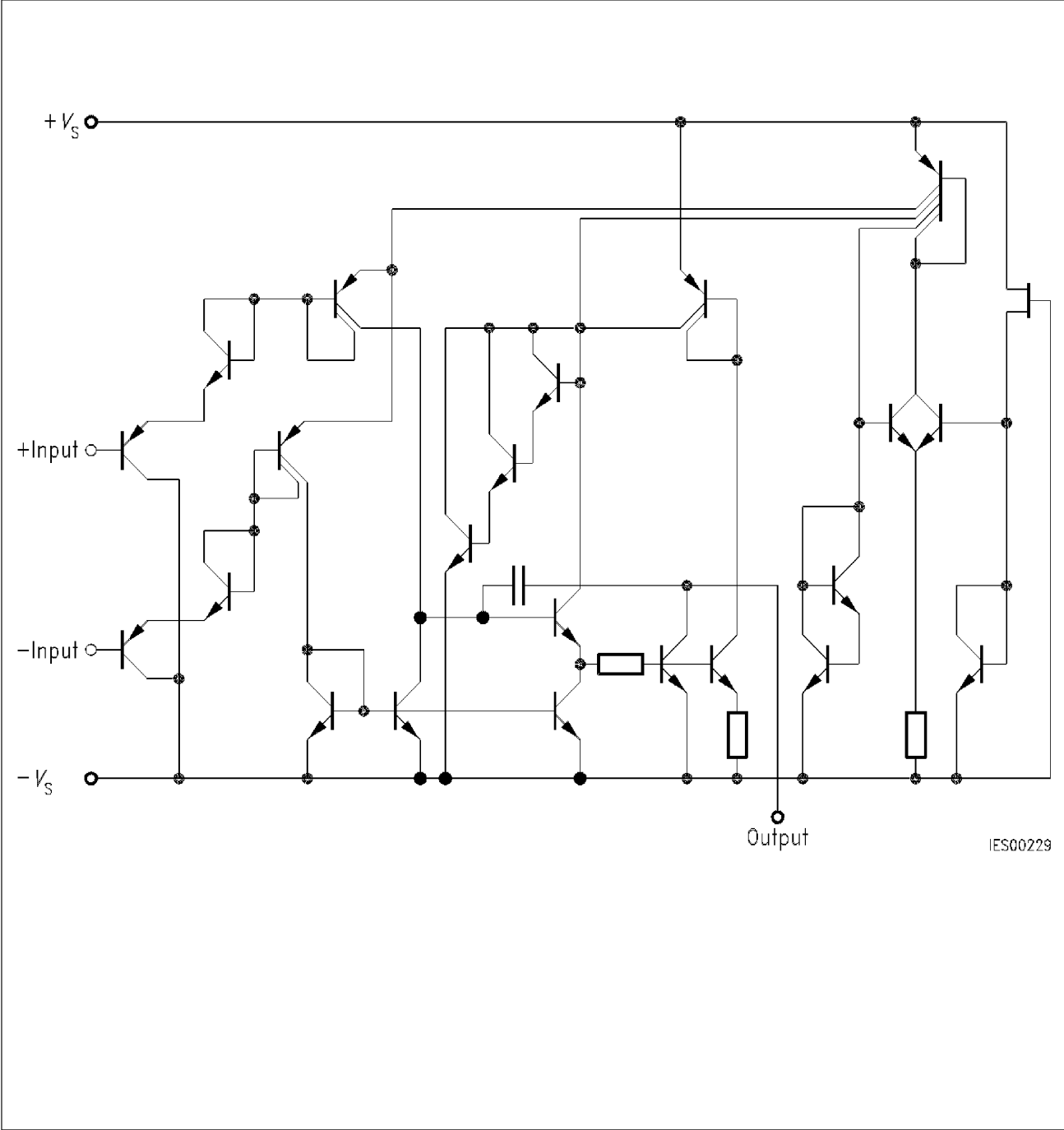
Pin Configurations (top view)



R_L = load resistance
(collector resistance)



Connection Diagram



Circuit Diagram

Absolute Maximum Ratings (TAE 2453)

Parameter	Symbol	Limit Values	Unit
Supply voltage	V_S	± 18	V
Output current	I_Q	100	mA
Differential input voltage	V_{ID}	$\pm V_S$	V
Junction temperature	T_j	150	°C
Storage temperature range	T_{stg}	- 55 to 125	°C
Thermal resistance system - air			
TAE 2453 A	$R_{th SA}$	100	K/W
TAE 2453 G	$R_{th SA}$	170	K/W

Operating Range (TAE 2453)

Supply voltage	V_S	± 2 to ± 18 (± 1.5 V with slightly increased offset voltage)	V
Ambient temperature	T_A	- 25 to 85	°C

Characteristics (TAE 2453)

$V_S = \pm 5$ V to ± 15 V; $R_L = 10$ k Ω ,
unless otherwise specified

Parameter	Symbol	Limit Values $T_A = 25$ °C			Limit Values $T_A = - 25$ to 85 °C		Unit
		min.	typ.	max.	min.	max.	
Open-loop supply current consumption, total	I_S		0.8	1.5		1.8	mA
Input offset voltage $R_G = 50$ Ω	V_{IO}	- 5.5		5.5	- 7	7	mV
Input offset current	I_{IO}	- 15		15	- 100	100	nA
Input current	I_I		40	150		200	nA

Characteristics (TAE 2453) (cont'd)

$V_S = \pm 5\text{ V}$ to $\pm 15\text{ V}$; $R_L = 10\text{ k}\Omega$,
unless otherwise specified

Parameter	Symbol	Limit Values $T_A = 25\text{ }^\circ\text{C}$			Limit Values $T_A = -25$ to $85\text{ }^\circ\text{C}$		Unit
		min.	typ.	max.	min.	max.	
Control range $R_L = 2\text{ k}\Omega$, $V_S = \pm 15\text{ V}$ $R_L = 620\text{ }\Omega$, $V_S = \pm 15\text{ V}$	$V_{Q\text{ pp}}$	14.9		-14.7	14.9	-14.7	V
	$V_{Q\text{ pp}}$	14.9		-14.5	14.9	-14.4	V
Input impedance, $f = 1\text{ kHz}$	Z_I		200				k Ω
Open-loop voltage gain, $R_L = 2\text{ k}\Omega$	G_{V0}	80	85		80		dB
Output reverse current	I_{QR}			10		20	μA
Common-mode input voltage range, $R_L = 2\text{ k}\Omega$	V_{IC}	$-V_S$ -0.2		V_S -1.8	$-V_S$	V_S -2.0	V
Common-mode rejection, $R_L = 2\text{ k}\Omega$	k_{CMR}	75	80		75		dB
Supply voltage rejection $G_V = 100$	k_{SVR}		25	100		100	$\mu\text{V/V}$
Temperature coefficient of I_{IO} $R_G = 50\text{ }\Omega$ Temperature coefficient of V_{IO} $R_G = 50\text{ }\Omega$	α_{IIO}		0.1				nA/K
	α_{VIO}		6				$\mu\text{V/K}$
Slew rate for non-inverting operation	SR		1				V/ μs
Slew rate for inverting operation	SR		1				V/ μs

Characteristics (TAE 2453)

$V_S = \pm 2 \text{ V}$, $R_L = 10 \text{ k}\Omega$

Parameter	Symbol	Limit Values $T_A = 25 \text{ }^\circ\text{C}$			Limit Values $T_A = -25$ to $85 \text{ }^\circ\text{C}$		Unit
		min.	typ.	max.	min.	max.	
Input offset voltage, $R_G = 50 \text{ }\Omega$	V_{IO}	-6		6	-7.5	7.5	mV
Input offset current	I_{IO}	-75		75	-100	100	nA
Input current	I_I		40	150		200	nA
Open-loop voltage gain	G_{V0}	70			70		dB

Absolute Maximum Ratings (TAF 2453)

Parameter	Symbol	Limit Values	Unit
Supply voltage	V_S	± 18	V
Output current	I_Q	100	mA
Differential input voltage	V_{ID}	$\pm V_S$	V
Junction temperature	T_j	150	$^\circ\text{C}$
Storage temperature range	T_{stg}	-55 to 150	$^\circ\text{C}$
Thermal resistance system - air			
TAF 2453 A	$R_{th SA}$	100	K/W
TAF 2453 G	$R_{th SA}$	170	K/W

Operating Range (TAF 2453)

Supply voltage	V_S	± 2 to ± 18 ($\pm 1.5 \text{ V}$ with slightly increased offset voltage)	V
Ambient temperature	T_A	-55 to 125	$^\circ\text{C}$

Characteristics (TAF 2453)

$V_S = \pm 5 \text{ V to } \pm 15 \text{ V}$; $R_L = 2 \text{ k}\Omega$,
unless otherwise specified

Parameter	Symbol	Limit Values $T_A = 25 \text{ }^\circ\text{C}$			Limit Values $T_A = -55$ to $125 \text{ }^\circ\text{C}$		Unit
		min.	typ.	max.	min.	max.	
Open-loop supply current consumption total	I_S		0.8	1.5		1.8	mA
Input offset voltage, $R_G = 50 \text{ }\Omega$	V_{IO}	-4		4	-6	6	mV
Input offset current	I_{IO}	-10		10	-75	75	nA
Input current	I_I		40	100		150	nA
Control range $R_L = 2 \text{ k}\Omega$, $V_S = \pm 15 \text{ V}$	$V_{Q \text{ pp}}$	14.9		-14.7	14.8	-14.7	V
$R_L = 620 \text{ }\Omega$, $V_S = \pm 15 \text{ V}$	$V_{Q \text{ pp}}$	14.9		-14.5	14.8	-14.4	V
Input impedance, $f = 1 \text{ kHz}$	Z_I		200				k Ω
Open-loop voltage gain $R_L = 2 \text{ k}\Omega$	G_{V0}	85	87		80		dB
Output reverse current	I_{QR}			1		5	μA
Common-mode input voltage range	V_{IC}	$-V_S$ -0.3		V_S -1.5	$-V_S$	V_S -1.8	V
Common-mode rejection, $R_L = 2 \text{ k}\Omega$	k_{CMR}	80	85		75		dB
Supply voltage rejection $G_V = 100$	k_{SVR}		25	100		100	$\mu\text{V/V}$

Characteristics (TAF 2453) (cont'd)

$V_S = \pm 5 \text{ V to } \pm 15 \text{ V}; R_L = 2 \text{ k}\Omega$,
unless otherwise specified

Parameter	Symbol	Limit Values $T_A = 25 \text{ }^\circ\text{C}$			Limit Values $T_A = -55$ to $125 \text{ }^\circ\text{C}$		Unit
		min.	typ.	max.	min.	max.	
Temperature coefficient of I_{IO} $R_G = 50 \text{ } \Omega$	α_{IIO}		0.1	0.8		0.8	nA/K
Temperature coefficient of V_{IO} $R_G = 50 \text{ } \Omega$	α_{VIO}		6	25		25	$\mu\text{V/K}$
Slew rate for non-inverting operation	SR		1				V/ μs
Slew rate for inverting operation	SR		1				V/ μs

Characteristics (TAF 2453)

$V_S = \pm 2 \text{ V}$

Parameter	Symbol	Limit Values $T_A = 25 \text{ }^\circ\text{C}$			Limit Values $T_A = -55$ to $125 \text{ }^\circ\text{C}$		Unit
		min.	typ.	max.	min.	max.	
Input offset voltage, $R_G = 50 \text{ } \Omega$	V_{IO}	-4		4	-6	6	mV
Input offset current	I_{IO}	-50		50	-75	75	nA
Input current	I_I		40	100		150	nA
Open-loop voltage gain, $R_L = 2 \text{ k}\Omega$	G_{V0}	75			70		dB

Note: For typical performance curves, please refer to the data sheets of TAE 1453 and TAF 1453.