

TOSHIBA BIPOLAR LINEAR INTEGRATED CIRCUIT SILICON MONOLITHIC

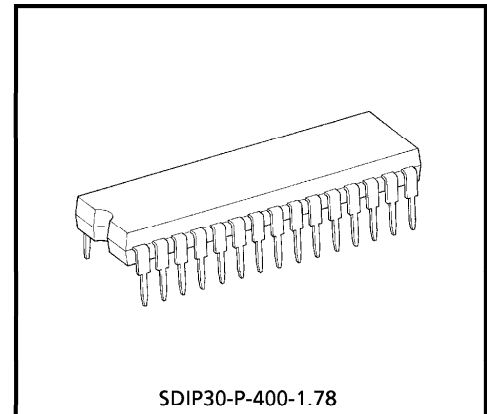
TA8720AN

AV SWITCH FOR COLOR TV WITH S-TERMINAL

The TA8720AN is an IC used for switching of 4-inputs 3 circuits of sound (L, R) and video signals.

FEATURES

- Audio section (2 channels for a STEREO signal)
 - Inputs : Three inputs for external signals
An input for an internal TV signal
 - Outputs : A switched and selected output
Sound Mute
- Video section
 - Inputs : Two inputs for external signal (Sync negative)
 - : YC inputs for S-VHS
 - : An input for and internal TV signal
(Sync negative or positive)
 - Outputs : Monitor output
(YC MIX circuit for S-VHS is built-in)
 - : Y signal output
 - : Chroma signal output

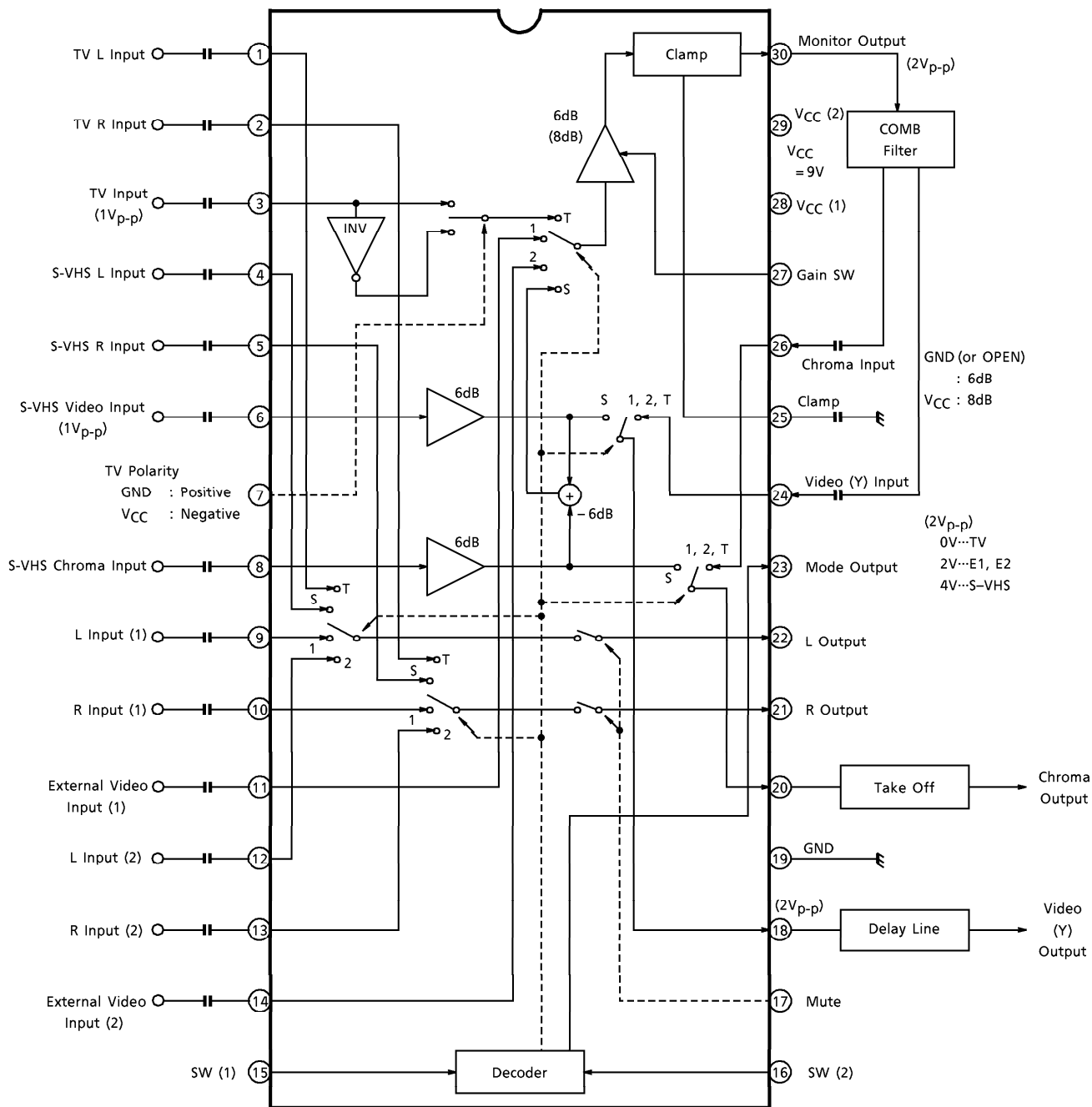


Weight : 1.99g (Typ.)

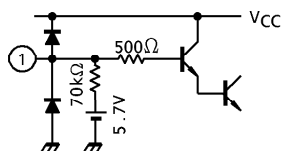
961001EBA2

- TOSHIBA is continually working to improve the quality and the reliability of its products. Nevertheless, semiconductor devices in general can malfunction or fail due to their inherent electrical sensitivity and vulnerability to physical stress. It is the responsibility of the buyer, when utilizing TOSHIBA products, to observe standards of safety, and to avoid situations in which a malfunction or failure of a TOSHIBA product could cause loss of human life, bodily injury or damage to property. In developing your designs, please ensure that TOSHIBA products are used within specified operating ranges as set forth in the most recent products specifications. Also, please keep in mind the precautions and conditions set forth in the TOSHIBA Semiconductor Reliability Handbook.
- The products described in this document are subject to foreign exchange and foreign trade control laws.
- The information contained herein is presented only as a guide for the applications of our products. No responsibility is assumed by TOSHIBA CORPORATION for any infringements of intellectual property or other rights of the third parties which may result from its use. No license is granted by implication or otherwise under any intellectual property or other rights of TOSHIBA CORPORATION or others.
- The information contained herein is subject to change without notice.

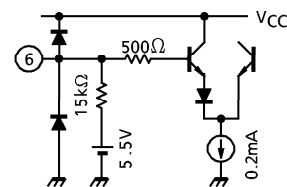
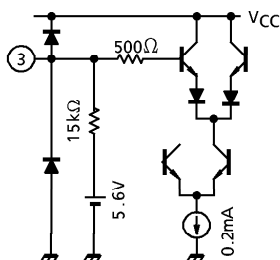
BLOCK DIAGRAM



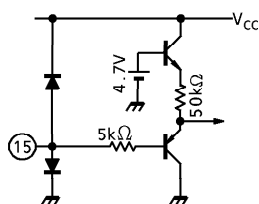
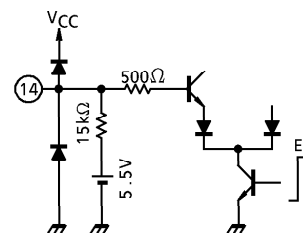
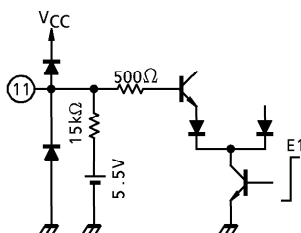
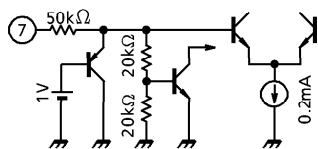
TERMINAL INTERFACE CIRCUIT



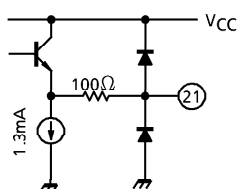
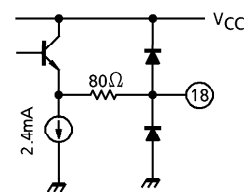
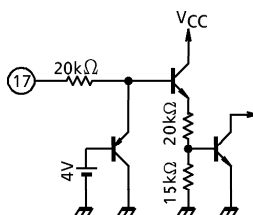
Pin 2, 4, 5, 9, 10, 12, 13 are same.



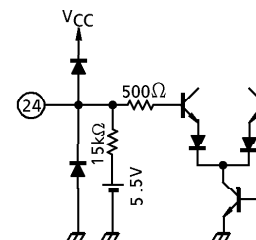
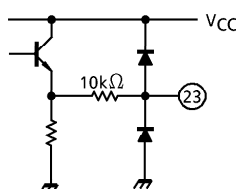
Pin 8 is same.



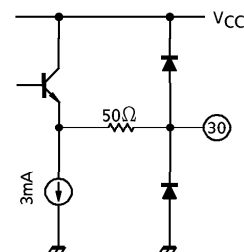
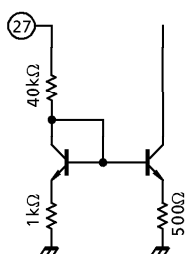
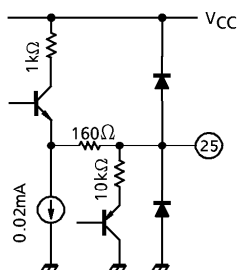
Pin 16 is same.



Pin 22 is same.



Pin 26 is same.



MAXIMUM RATINGS (Ta = 25°C)

CHARACTERISTIC	SYMBOL	RATING	UNIT
Power Supply Voltage	V _{CC max}	15	V
Input Terminal Signal Voltage	e _{in max}	3	V _{p-p}
Input Terminal Voltage	V _{in max}	GND - 0.3V ~ V _{CC} + 0.3V	—
Power Dissipation	P _{D max}	1.6 (Note)	W
Operating Temperature	T _{opr}	-20~65	°C
Storage Temperature	T _{stg}	-55~150	°C

LOGIC TABLE

		SW2 [PIN 16]	
		HIGH LEVEL	LOW LEVEL
SW1 [PIN 15]	HIGH LEVEL	TV	E1
	LOW LEVEL	S-VHS	E2

(Note) When using the device at above Ta = 25°C, decrease the power dissipation by 12.8mW for each increase of 1°C.

RECOMMENDED POWER SUPPLY VOLTAGE

PIN No.	PIN NAME	MIN.	TYP.	MAX.	UNIT
28	9V Power Supply (V _{CC})	8.1	9.0	9.9	V
29					

ELECTRICAL CHARACTERISTICS

DC CHARACTERISTICS (Unless otherwise specified, $V_{CC} = 9V$, $T_a = 25^\circ C$)

DC voltage characteristic

PIN No.	PIN NAME	SYMBOL	MIN.	TYP.	MAX.	UNIT	NOTE
1	TV L Input	V1	5.2	5.7	6.2	V	—
2	TV R Input	V2	5.2	5.7	6.2		
3	TV Input	V3	5.1	5.6	6.1		
4	S-VHS L Input	V4	5.2	5.7	6.2		
5	S-VHS R Input	V5	5.2	5.7	6.2		
6	S-VHS Video Input	V6	5.0	5.5	6.0		
7	TV Polarity Switch	V7	—	—	—		
8	S-VHS Chroma Input	V8	5.0	5.5	6.0		
9	L Input (1)	V9	5.2	5.7	6.2		
10	R Input (1)	V10	5.2	5.7	6.2		
11	External Video Input (1)	V11	5.0	5.5	6.0		
12	L Input (2)	V12	5.2	5.7	6.2		
13	R Input (2)	V13	5.2	5.7	6.2		
14	External Video Input (2)	V14	5.0	5.5	6.0		
15	Switch (1)	V15	—	—	—		
16	Switch (2)	V16	—	—	—		
17	Mute	V17	—	—	—		
18	Video (Y) Output	V18	3.5	4.0	4.5		
19	GND	V19	—	—	—		
20	Chroma Output	V20	3.5	4.0	4.5		
21	R Output	V21	3.8	4.3	4.8		
22	L Output	V22	3.8	4.3	4.8		
23	Mode Output	V23	1.5	2.0	2.5		
24	Video (Y) Input	V24	5.0	5.5	6.0		
25	Clamp	V25	2.6	3.1	3.6		
26	Chroma Input	V26	5.0	5.5	6.0		
27	Gain Switch	V27	—	—	—		
28	V_{CC} (1)	V28	—	V_{CC}	—		
29	V_{CC} (2)	V29	—	V_{CC}	—		
30	Monitor Output	V30	2.4	2.9	3.4		

Supply current

CHARACTERISTIC	SYMBOL	MIN.	TYP.	MAX.	UNIT	NOTE
Supply Current (Pin 28 : V _{CC1})	I _{CC1}	4.0	6.0	9.0	mA	—
Supply Current (Pin 29 : V _{CC2})	I _{CC2}	14	21	31		
Total Supply Current (I _{CC1} + I _{CC2})	I _{CC}	18	27	40		

Input resistance

PIN No.	PIN NAME	SYMBOL	MIN.	TYP.	MAX.	UNIT	NOTE		
3	TV Input	R3	10	15	21	k Ω	Supply an external voltage which is 0.5V higher than open voltage. Measure the flow-in current. Calculate the resistor value.		
6	S-VHS Video Input	R6							
8	S-VHS Chroma Input	R8							
11	External Video Input (1)	R11							
14	External Video Input (2)	R14							
24	Video (Y) Input	R24							
26	Chroma Input	R26							
1	TV L Input	R1	48	70	98				
2	TV R Input	R2							
4	S-VHS L Input	R4							
5	S-VHS R Input	R5							
9	L Input (1)	R9							
10	R Input (1)	R10							
12	L Input	R12							
13	R Input	R13							

Output resistance

PIN No.	PIN NAME	SYMBOL	MIN.	TYP.	MAX.	UNIT	NOTE
18	Video (Y) Output	R18	—	100	—	Ω	Measure the terminal voltage variation when the flow-in current is 100 μ A. Calculate the resistor value.
20	Chroma Output	R20	—	100	—		
21	R Output	R21	—	130	—		
22	L Output	R22	—	11	—	k Ω	
30	Monitor Output	R30	—	70	—	Ω	

AC CHARACTERISTIC (Unless otherwise specified, $V_{CC} = 9V$, $T_a = 25^\circ C$)

CHARACTERISTIC	SYMBOL	TEST CIRCUIT	TEST CONDITION						MIN.	TYP.	MAX.	UNIT																				
			SWg	SW7	SW15	SW16	SW17	V3					OTHER																			
Input Dynamic Range	V_{dY}	—	a	b	a	b	a	5V	1.7	2.2	—	V_{pp}																				
													SW 3 : b	Other : a	SW 6 : b	Other : a	SW 8 : b	Other : a	SW 11 : b	Other : a	SW 14 : b	Other : a	SW 3 : b	Other : a	SW 24 : a	Other : b	SW 26 : a	Other : b	SW 6 : a	Other : b	SW 8 : a	Other : b
													(1) V2 : 15kHz sine wave										5.5	6.5	—							
													(2) Vary the amplitude of V2. Measure the amplitude of V2 when the output signal of pin 30 is distorted.																			
													(1) Ditto																			
													(2) Vary the amplitude of V2. Measure the amplitude of V2 when the output signals of pin 18 and 20 are distorted.																			
														$^{YC}V_{dY}$																		
														$^S V_{dY}$																		

CHARACTERISTIC	SYMBOL	TEST CIR-CUIT	TEST CONDITION								MIN.	TYP.	MAX.	UNIT		
			SWg	SW7	SW15	SW16	SW17	V3	OTHER	TEST CONDITION						
Video Gain	G _v	—	a	a	b	b	a	b	a	5V	SW 3 : b Other : a	(1) V ₂ : 15kHz, 1V _{p-p} sine wave (2) Measure the pin 30 signal amplitude for each mode.	5.0	6.0	7.0	dB
											SW 6 : b Other : a					
	ΔG _v	—	a	a	b	b	a	a	b	5V	SW 8 : b Other : a	(1) Ditto (2) Calculate the difference between G _v .	1.5	2.0	2.5	dB
											SW 11 : b Other : a					
G _{Yc}	—	a	a	b	b	a	b	a	b	5V	SW 14 : b Other : a	(1) Ditto (2) Measure the pin 30 signal amplitude for each mode.	-0.5	0	0.5	dB
											SW 3 : b Other : a					
S _{G_{Yc}}	—	a	a	b	b	a	b	a	b	5V	SW 24 : a Other : b	(1) Ditto (2) Measure the pin 30 signal amplitude for each mode.	5.0	6.0	7.0	dB
											SW 27 : b Other : a					
S _{G_{Yc}}	—	a	a	b	b	a	b	a	b	5V	SW 26 : a Other : b	(1) Ditto (2) Measure the pin 30 signal amplitude for each mode.	5.0	6.0	7.0	dB
											SW 6 : a Other : b					
S _{G_{Yc}}	—	a	a	b	b	a	b	a	b	5V	SW 8 : a Other : b	(1) Ditto (2) Measure the pin 30 signal amplitude for each mode.	5.0	6.0	7.0	dB
											SW 8 : a Other : b					

CHARACTERISTIC	SYMBOL	TEST CIR-CUIT	TEST CONDITION										MIN.	TYP.	MAX.	UNIT																							
			SWg	SW7	SW15	SW16	SW17	V3	OTHER																														
Video Cross Talk	CM	-	a	a	b	a	b	a	b	a	a	a	5V	SW 3, 6, 8, 11, 14 : a→b→a Other : a	(1) V2 : 4.43MHz, 1V _{p-p} sine wave (2) TV mode SW 3 : B Measure the output level of pin 30 as 0dB reference. Measure the output level of pin 30 when the input pin change to 6, 8, 11, 14 for each mode.	50	64	-	dB																				

CHARACTERISTIC	SYMBOL	TEST CIR-CUIT	TEST CONDITION							MIN.	TYP.	MAX.	UNIT
			SWg	SW7	SW15	SW16	SW17	V3	OTHER				
Cross Talk Between YC	CYC	-	a	a	b	b	a	5V	SW24 b→a SW26 a→b Other : a	50	60	-	dB

CHARACTERISTIC	SYMBOL	TEST CIR-CUIT	TEST CONDITION										MIN.	TYP.	MAX.	UNIT
			SWg	SW7	SW15	SW16	SW17	V3	OTHER							
Frequency Band Width	FM	—	a	a	b	a	a	a	a	5V	SW 3 : b	Measure the amplitude of pin 30.	10	24	—	MHz
											Other : a					
											SW 6 : b					
											Other : a					
											SW 8 : b					
											Other : a					
	FYC	—	a	a	b	a	a	a	a	5V	SW 11 : b	(1)~(3) Same as above. (4) Read the frequency of V2 when the outputs are pin 18 and 20.	10	56	—	MHz
											Other : a					
											SW 14 : b					
											Other : a					
											SW 24 : b					
											Other : a					
FYC	—	a	a	b	a	a	a	a	5V	SW 3 : b	(1)~(3) Same as above. (4) Read the frequency of V2 when the outputs are pin 18 and 20.	10	27	—	MHz	
										Other : a						
										SW 6 : b						
										Other : a						
										SW 8 : b						
										Other : a						

CHARACTERISTIC	SYMBOL	TEST CIR-CUIT	TEST CONDITION						MIN.	TYP.	MAX.	UNIT	
			SWg	SW7	SW15	SW16	SW17	V3					OTHER
Clamp Level	CL	—			b	b		SW 3 : b Other: a	(1) V2 : PAL TV signal (2) SW3 : a Measure the voltage (v1) of pin 30. (3) SW3 : b Calculate v1 level (%) from the sync tip.	—	21	—	%
Sound Dynamic Range	A _{VdY}	—							(1) V2 : 1kHz, 1V _{p-p} sine wave (2) Measure the amplitude of V2 when the output distortion rate reaches 1.5% for each mode (L and R).	5	6	—	V _{p-p}
Sound Gain	GA	—			adj.	adj.		SW1, 2, 4, 5, 9, 10, 12, 13 : b Other : a	(1) Ditto (2) Measure the L and R output amplitude (va) for each mode. (3) Calculate GA = 20log Ya	—0.5	0	0.5	dB
Sound Frequency Characteristic	fA	—							(1) Ditto (2) Set the frequency (fA) of V2 at -3dB point. (3) Same as above for each mode.	100	—	—	kHz

TA8720AN—12(B4)

CHARACTERISTIC	SYMBOL	TEST CIR-CUIT	TEST CONDITION						MIN.	TYP.	MAX.	UNIT
			SWg	SW7	SW15	SW16	SW17	V3				
Cross Talk Between Source	CA	—			b	b		SW 4, 5, 9, 10, 12, 13 : b Other : a	60	72	—	dB
					a	b		SW 1, 2, 9, 10, 12, 13 : b Other : a				
					b	a		SW 1, 2, 4, 5, 12, 13 : b Other : a				
				a	a	a	a	SW 1, 2, 4, 5, 9, 10 : b Other : a				
Cross Talk Between L and R Sound Path	CLR	—		adj.	adj.		—	60	75	—		
Sound Mute Attenuation Level	MA	—		b	b	a	SW 1, 2 : b Other : a	60	75	—		

TA8720AN—13(B4)

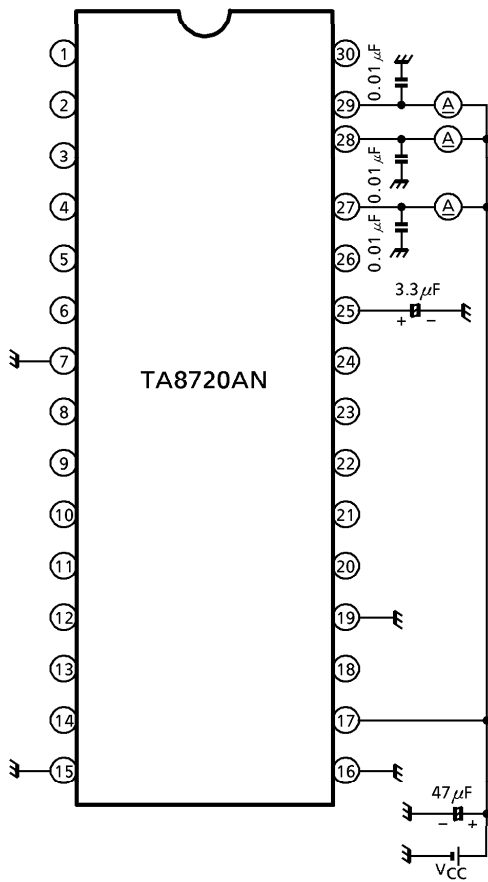
CHARACTERISTIC	SYMBOL	TEST CIRCUIT	TEST CONDITION							MIN.	TYP.	MAX.	UNIT
			SWg	SW7	SW15	SW16	SW17	V3	OTHER				
SW(1) Threshold Voltage	V _{th I}	—							(1) V ₂ : 100kHz, 1V _{p-p} sine wave (2) By increasing the level of V ₃ , read the voltage when the output signal appears on pin 30.	1.0	2.0	3.0	V
			adj.	a				SW 11 : b Other : a	(1) Ditto (2) By increasing the level of V ₃ , read the voltage when the output signal disappears on pin 30.	1.0	2.0	3.0	
SW(2) Threshold Voltage	V _{th II}	—							(1) Ditto (2) By increasing the level of V ₃ , read the voltage when the output signal disappears on pin 30.	1.0	2.0	3.0	V
			a	a	adj.	adj.	adj.	SW 14 : b Other : a	(1) Ditto (2) By increasing the level of V ₃ , read the voltage when the output signal disappears on pin 30.	1.0	2.0	3.0	
Sound Mute SW Threshold Voltage	V _{thM}	—							(1) Ditto (2) By increasing the level of V ₃ , read the voltage when the output signal disappears on pin 22.	1.3	2.3	3.3	V
			a	a	a	adj.	adj.	SW 12 : a Other : b	(1) Ditto (2) By increasing the level of V ₃ , read the voltage when the output signal disappears on pin 22.	1.3	2.3	3.3	
TV Polarity Threshold Voltage	V _{thP}	—	—	—	—	—	—	—	—	—	4.0	—	V

CHARACTERISTIC	SYMBOL	TEST CIRCUIT	TEST CONDITION						MIN.	TYP.	MAX.	UNIT
			SWg	SW7	SW15	SW16	SW17	V3				
TV Mode		—			b							
S Mode		—			a	b						
E1 Mode	—	—		a	a							
E2 Mode		—			b	a						

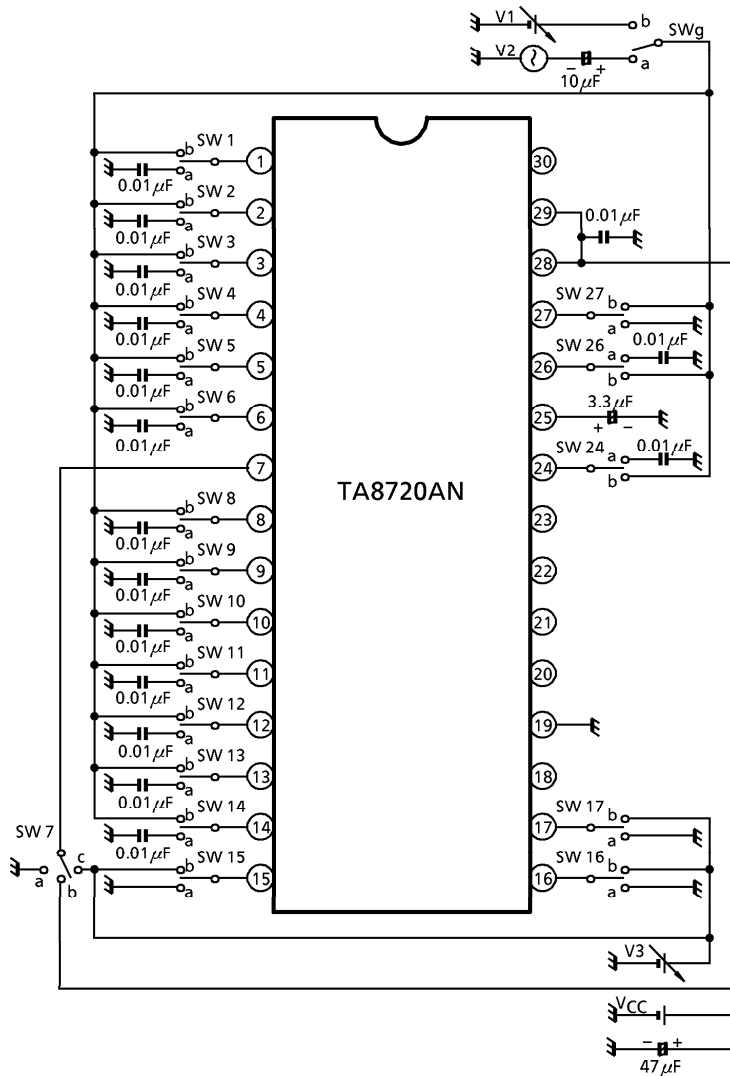
(1) V2 : 100kHz, 1V_{p-p} sine wave
 (2) Confirm the output signal appears on pin 18, 20, 21, 22, 23.

CHARACTERISTIC	SYMBOL	TEST CIRCUIT	TEST CONDITION						MIN.	TYP.	MAX.	UNIT							
			SWg	SW7	SW15	SW16	SW17	V3					OTHER						
TV Polarity Inversion Mode	—	—	a or b	b	b	—	—	5V	—	—	—	—							
													SW 3 : b Other : a	(1) SW7 : a Check the signals of V2 and pin 30 are in phase. (2) SW7 : b Check the signals of V2 and pin 30 are opposite phase.					
Sound Mute	—	—	a	adj.	adj.	—	—	5V	—	—	—	—							
													SW 1, 2, 4, 5, 9, 10, 12, 13 : b Other : a	Check the disappearance on pin 21, 22 for each mode.					
Mode Output Voltage	TV V _M	—	a	b	b	b	—	—	—	0	0.2	—							
													E V _M	a or b	a	1.7	2.0	2.3	V

TEST CIRCUIT 1
DC CHARACTERISTIC

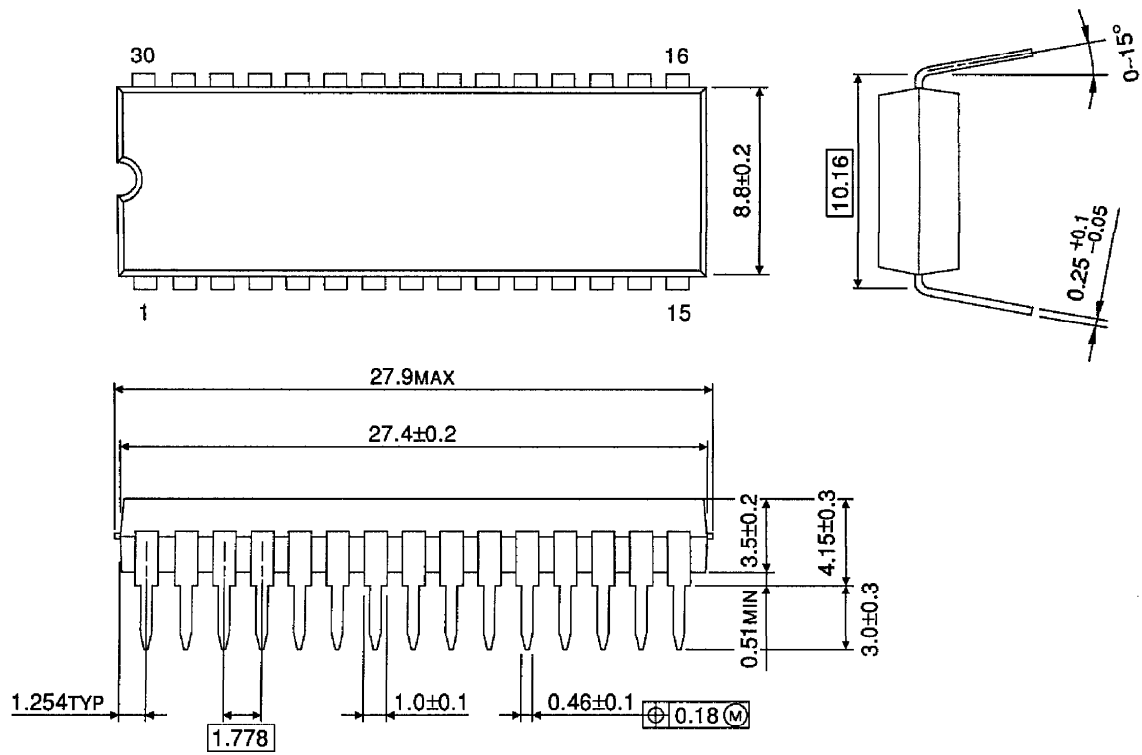


TEST CIRCUIT 2
AC CHARACTERISTIC



OUTLINE DRAWING
SDIP30-P-400-1.78

Unit : mm



Weight : 1.99g (Typ.)