

TOSHIBA BIPOLAR LINEAR INTEGRATED CIRCUIT SILICON MONOLITHIC

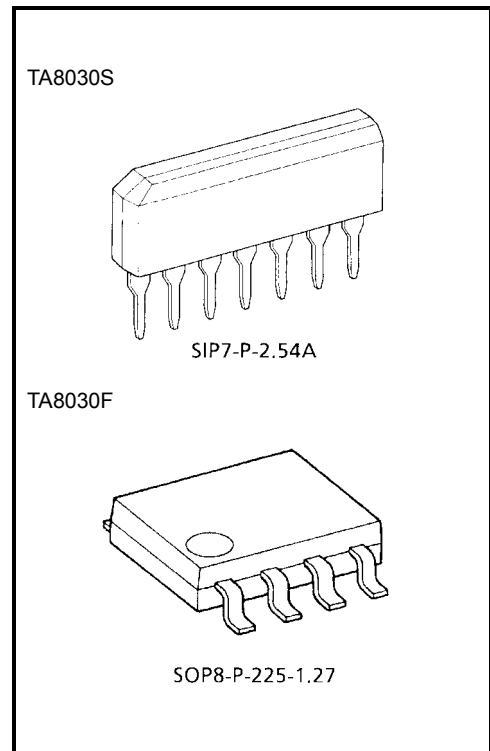
TA8030S, TA8030F

WATCHDOG TIMER

The TA8030S TA8030F is a system reset IC for 5V supply voltage system. It is specially designed for microcomputer systems. It incorporates a watchdog timer for monitoring microcomputer operation and has many reset functions, including a reset timer output which will be given at power-on and another reset output which will be given when the supply voltage drops. With these functions, it helps build up a reliable system.

FEATURES

- Watchdog timer
- Power-on reset timer
- Dual-reset output
- SIP7 PIN (TA8030S)
SOP8 PIN (TA8030F)



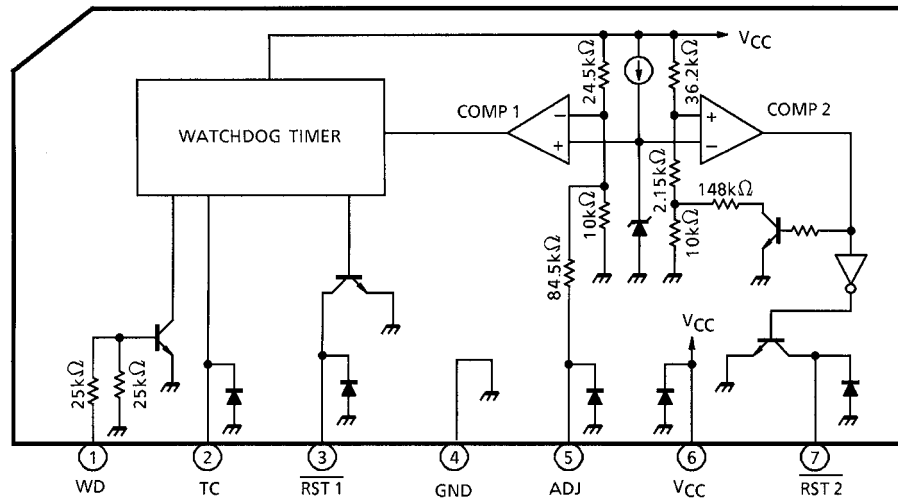
Weight

SIP7- P-2.54A : 0.7g (typ.)

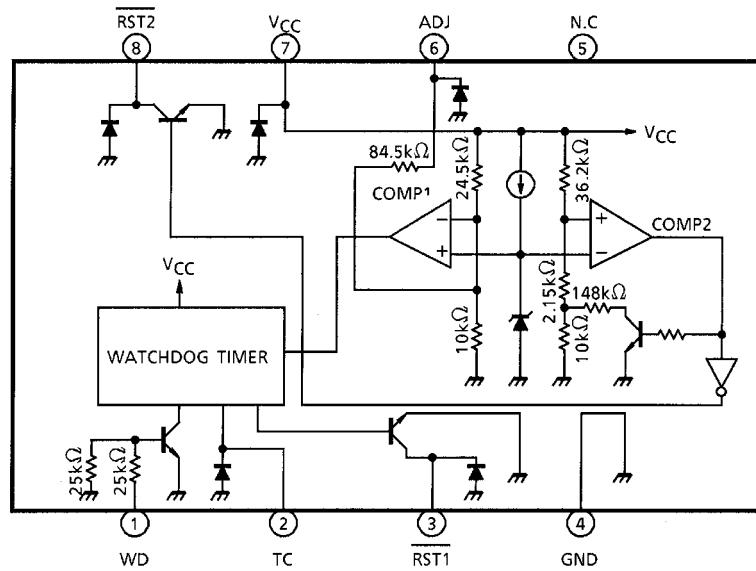
SOP8- P-225-1.27 : 0.08g (typ.)

BLOCK DIAGRAM AND PIN LAYOUT

TA8030S



TA8030F



Note: The TA8030S and TA8030F are the same chip; only the packages are different.

PIN DESCRIPTION

PIN No.		SYMBOL	DESCRIPTION
TA8030S	TA8030F		
1	1	WD	Clock input pin for watchdog timer. If this IC is only used as a power-on reset timer, this pin is connected to $\overline{\text{RST1}}$.
2	2	TC	Time setting pin for the reset and watchdog timers. R ₁ leads to V _{CC} , and C ₁ leads to GND.
3	3	$\overline{\text{RST1}}$	Supplies an NPN transistor open-collector output. <ul style="list-style-type: none"> • Generates a reset signal determined by the CR combination connected to the TC pin. • Supplies reset pulses intermittently if no clock is given to the WD pin.
4	4	GND	Grounded
5	6	ADJ	V _{CC} detect voltage (1) adjusting pin. The detection voltage is 4.6V when this pin is grounded ; it is 3.5V when this pin is directly connected to V _{CC} .
6	7	V _{CC}	Power supply pin for internal circuit. The output voltage can also be detected at this pin.
7	8	$\overline{\text{RST2}}$	Supplies an NPN transistor open-collector output. It is the output pin for V _{CC} detect voltage (2) . The detect voltage has a hysteresis of 0.17V.
—	5	NC	Not connected pin.(Electrically,this pin is completely open.)

FUNCTIONAL DESCRIPTION

About reset timer operation (See the timing chart)

The following explains the TA8030S/F's voltage monitoring and reset timer operations and how to use these functions.

(1) Voltage monitoring function (1)

The power input VCC pin of this IC also serves as a voltage detection pin. When the VCC voltage exceeds 4.25V after the IC is powered on, the power-on reset timer starts operating from that point in time. When the IC is powered off and VCC drops below 4.25V, TC starts discharging and a reset signal is output when the voltage drops below 40% of VCC. Also, if VCC goes down for some reason during normal operation, a reset signal is output in the same way as described above, and when VCC is up again and exceeds 4.25V, the power-on reset timer starts operating from that point in time.

The reset signal is forwarded to the $\overline{\text{RST1}}$ pin.

(2) Voltage monitoring function (2)

The $\overline{\text{RST2}}$ pin outputs a high when the VCC voltage rises above 4.65V and outputs a low when it falls below 4.48V. This function only monitors the voltage operating independently of Voltage monitoring function (1) and the reset timer function. Since when the voltage drops the $\overline{\text{RST2}}$ output is inverted before a system reset signal is output from $\overline{\text{RST1}}$, this function can be used to inhibit writing to memory.

Also, this voltage detection has 3 μ s of response delay, td2, to prevent a reset from being generated inadvertently by minute noise. (For td2, refer to AC Electrical Characteristics.)

(3) Power-on reset timer function

The device is held in a reset state for a predetermined time until the 5V constant voltage stabilizes at power-on and until the oscillating clock of the CPU, etc. stabilizes before being freed from the reset state. This time can be set to any desired duration by using the appropriate resistor and capacitor values connected external to the TC pin.

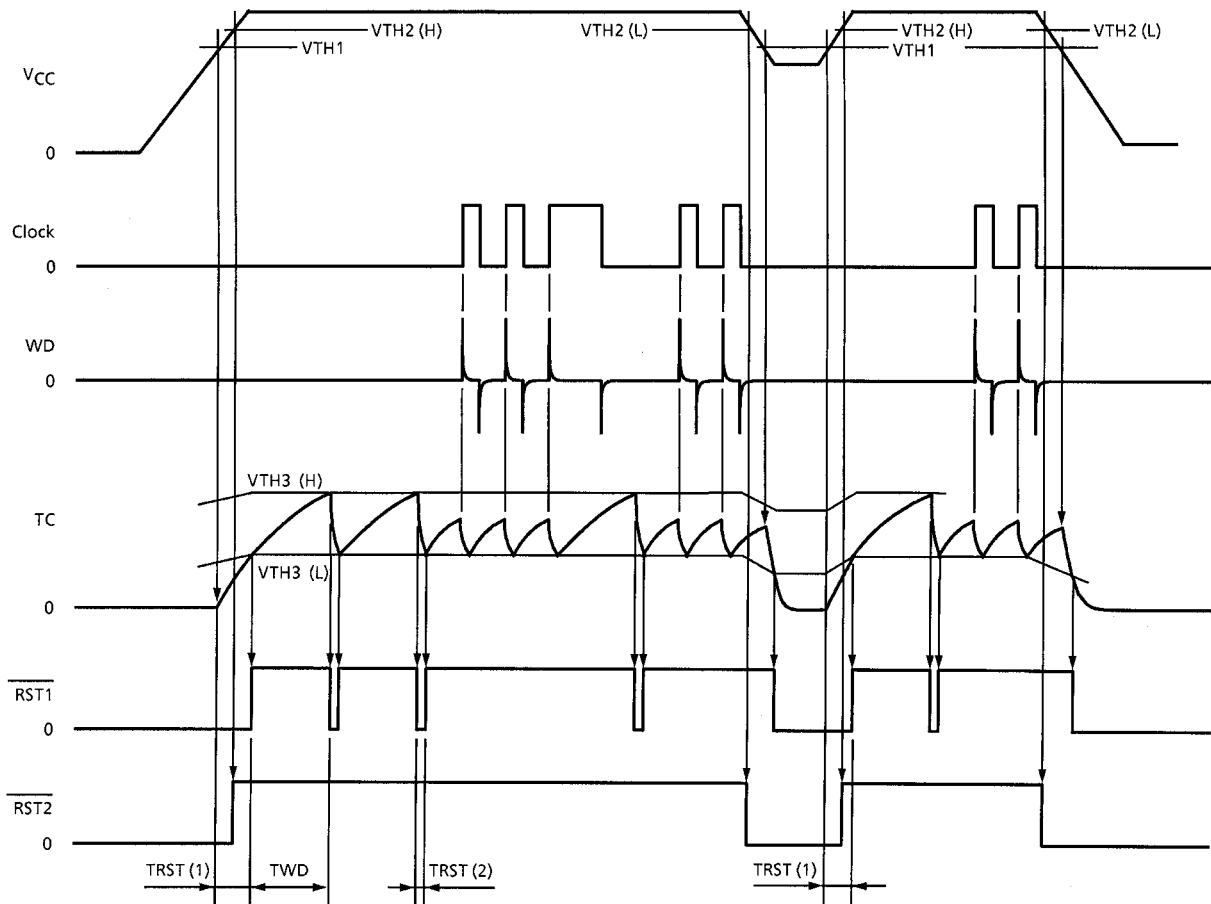
When the VCC voltage exceeds 4.25V, the system starts charging the capacitor and when this charging voltage exceeds 2V, the reset signal is inverted to deactivate the reset.

(4) Watchdog timer function

The WD pin between the CPU system and this IC is connected with an differential circuit. This is to ensure that when a failure occurs in the CPU system, a low signal is input to the WD pin no matter whether the clock output has stopped in the high or the low state. When the WD pin is fixed high, the watchdog timer stops operating.

If only the power-on reset timer is needed in your system, connect the WD pin to $\overline{\text{RST1}}$.

TIMING CHART



Note : See Electrical Characteristics for symbols in the timing chart.

MAXIMUM RATINGS (Ta = 25°C)

CHARACTERISTIC	SYMBOL	RATING	UNIT
Supply Voltage	V _{CC}	17	V
Input Voltage	V _{IN} (CK)	-7~7	V
Output Voltage	V _{OUT}	7	V
Output Current	I _{OUT}	10	mA
Power Dissipation	P _D	300/280	mW
Operating Temperature	T _{opr}	-40 to 85	°C
Storage Temperature	T _{stg}	-55 to 150	°C
Lead Temperature-time	T _{sol}	260 (10s)	°C

Note: P_D : TA8030S/TA8030F

ELECTRICAL CHARACTERISTICS (V_{CC} = 5V, Ta = -40 to 85°C)

(1) DC CHARACTERISTICS

CHARACTERISTIC	SYMBOL	PIN	TEST CIR-CUIT	TEST CONDITION	MIN	TYP.	MAX	UNIT
Input Current	I _{IH}	WD	1	V _{IN} = 5V	0.1	0.17	0.35	mA
	I _{IL}		1	V _{IN} = -5V	-0.06	-0.1	-0.2	
Input Voltage	V _{IH}	WD	2	—	2.2	—	—	V
	V _{IL}		2	—	—	—	0.6	
Input Current	I _{IN}	TC	4	V _{IN} = 1.5V	-2	—	2	μA
Output Current	I _{OUT}	TC	4	V _{OUT} = 4.2V	2.4	4	7.7	mA
Watchdog Timer Threshold Voltage	V _{TH3} (H)	TC	3	—	3.5	4	4.5	V
	V _{TH3} (L)		3	—	1.75	2	2.25	
Output Voltage	V _{OL}	R _{ST1}	5	I _{OUT} = 2mA	—	—	0.5	V
Output Leakage Current	I _{LEAK}	R _{ST2}	6	V _{OUT} = 7V	—	—	5	μA
V _{CC} Detect Voltage (1)	V _{TH1}	V _{CC}	—	—	4.0	4.25	4.5	V
	V _{TH1} (H)		3	AJD = GND	4.3	4.6	4.9	
	V _{TH1} (L)		3	ADJ = V _{CC}	3.25	3.5	3.75	
V _{CC} Detect Voltage (2)	V _{TH2} (H)	V _{CC}	3	—	4.4	4.65	4.9	V
	ΔV _{TH2}		3	—	—	0.17	0.3	
Current Consumption	I _{CC}	V _{CC}	7	—	—	2.5	4.5	mA

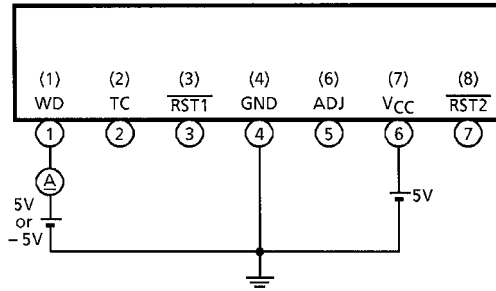
(2) AC CHARACTERISTICS

CHARACTERISTIC	SYMBOL	PIN	TEST CIR-CUIT	TEST CONDITION	MIN	TYP.	MAX	UNIT
Watchdog Timer	T _{WD}	R _{ST1}	3		0.9 × C1R1	1.1 × C1R1	1.3 × C1R1	ms
Reset Timer (1)	T _{RST} (1)	R _{ST1}	3		0.4 × C1R1	0.5 × C1R1	0.6 × C1R1	ms
Reset Timer (2)	T _{RST} (2)	R _{ST1}	3		0.35 × C1	0.75 × C1	1.5 × C1	ms
Input Pulse Width	T _W	WD	3		3	—	—	μs
Transfer Delay Time	t _{d1}	R _{ST1}	3	t _{dHL} (C1 = 0 μF)	—	3	10	μs
	t _{d2}	R _{ST2}	3	t _{dHL} , t _{dLH}	—	3	10	

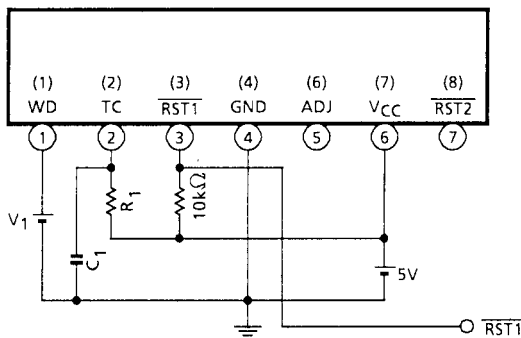
Note: The unit for the C1 is μF, the unit for R1 is kΩ.

TEST CIRCUIT (Number in ○ show pin number of the TA8030S, those in () show pin number of the TA8030F.)

1. I_{IH} 、 I_{IL} (WD)

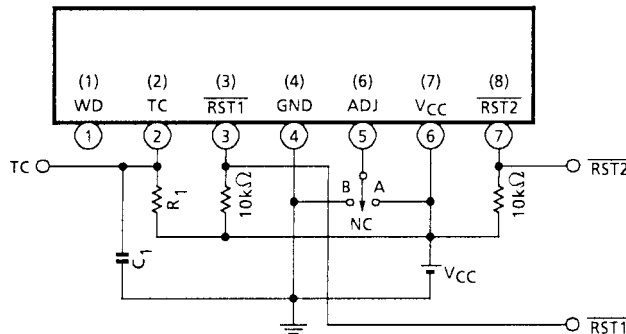


2. V_{IH} 、 V_{IL} (WD)



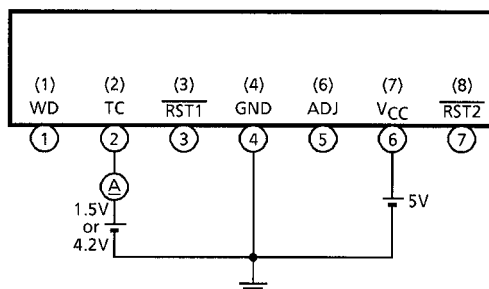
At $V_1 = 2.2V$, $\overline{RST1}$ must be 5V.
At $V_1 = 0.6V$, $\overline{RST1}$ must generate a Pulse signal.

3. V_{TH3} (H)、(L) (TC)、 V_{TH1} 、 V_{TH1} (H)、(L)、 V_{TH2} (H)、 ΔV_{TH2} 、AC CHARACTERISTICS

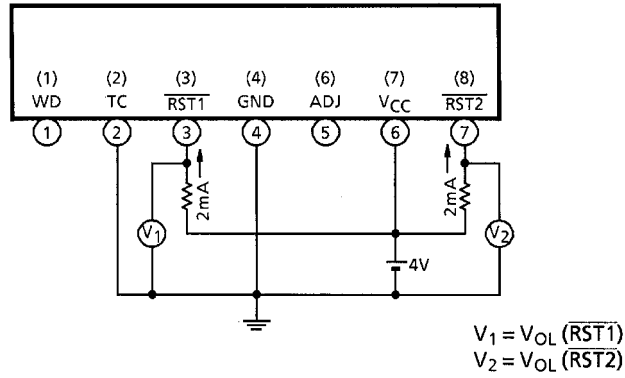


∴ See Timing Chart
 $\Delta V_{TH2} = V_{TH2} (H) - V_{TH2} (L)$

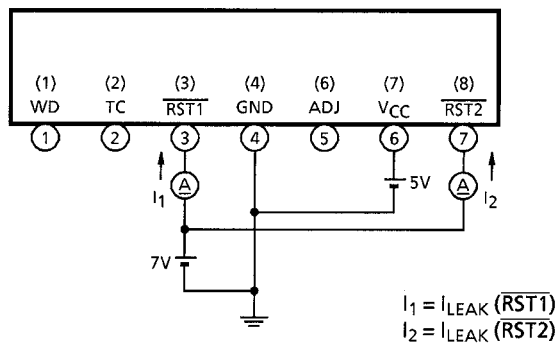
4. I_{IN} 、 I_{OUT} (TC)



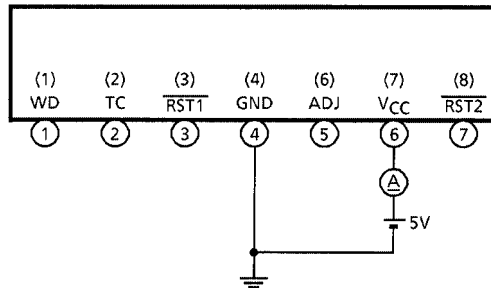
5. $V_{OL}(\overline{RST1}) (\overline{RST2})$



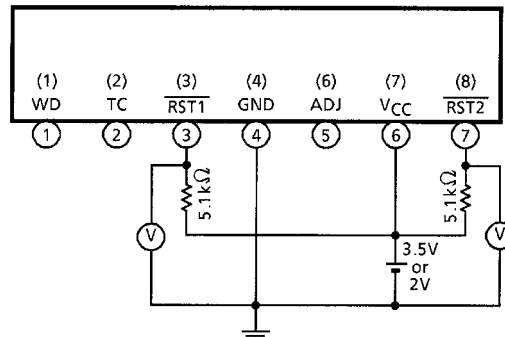
6. $I_{LEAK}(\overline{RST1}) (\overline{RST2})$



7. I_{CC}

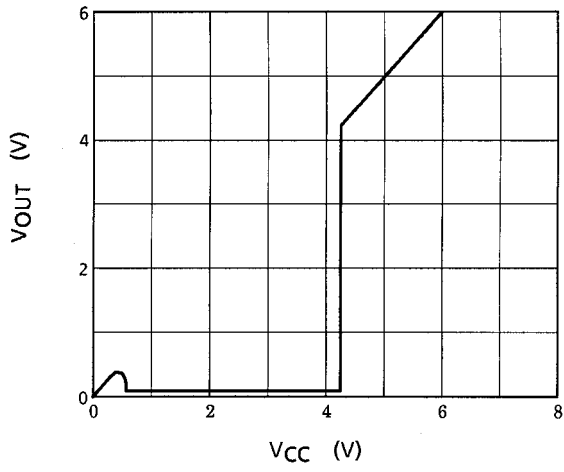


8. $V_{OL}(1), (2) (\overline{RST1}) (\overline{RST2})$

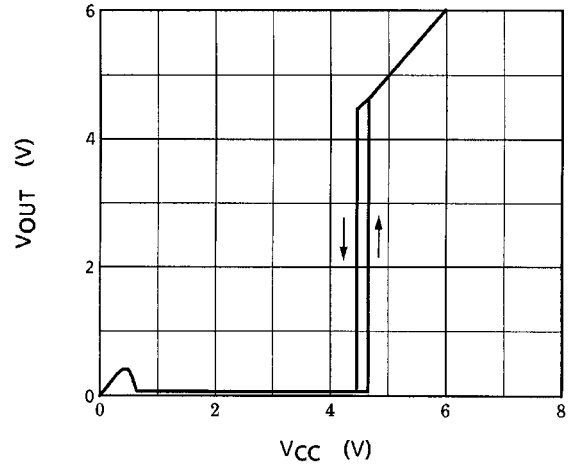


RESET OUTPUT STANDARD CHARACTERISTICS

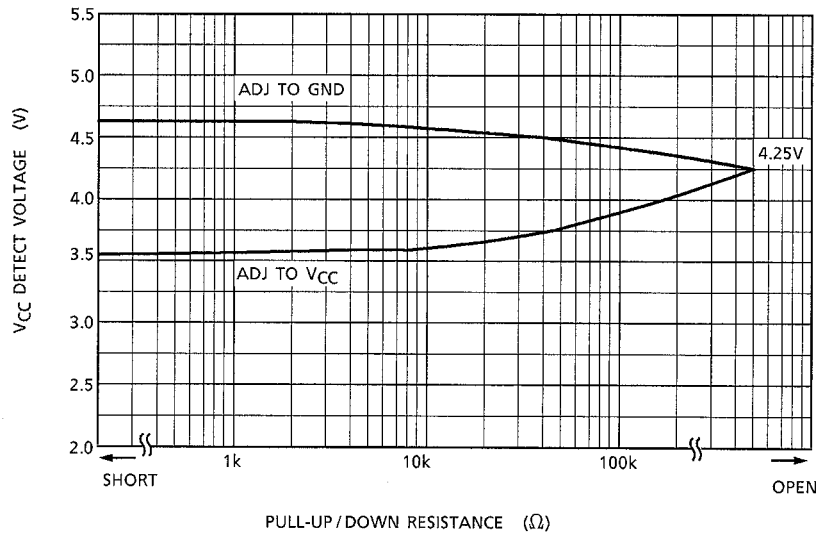
1. $\overline{RST1}$



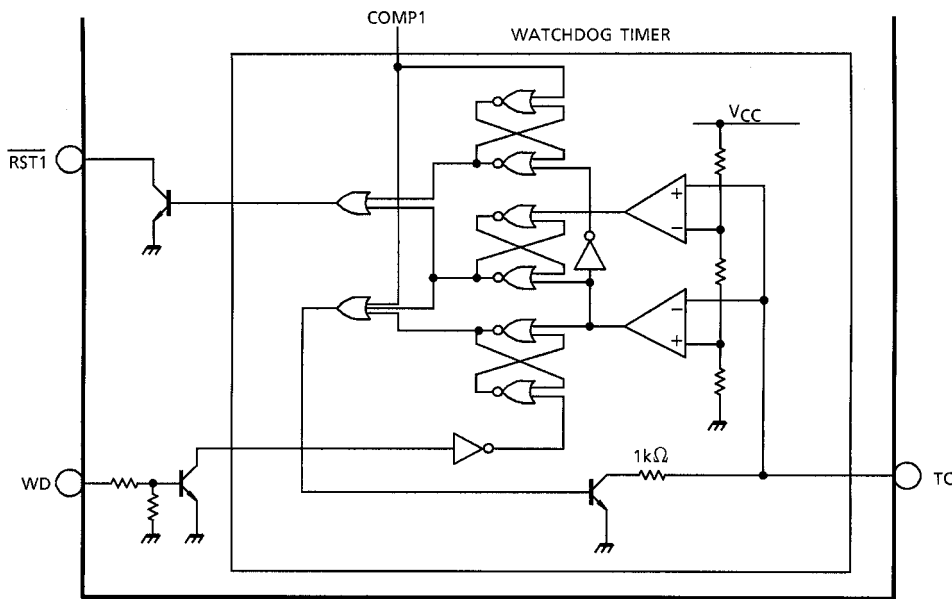
2. $\overline{RST2}$



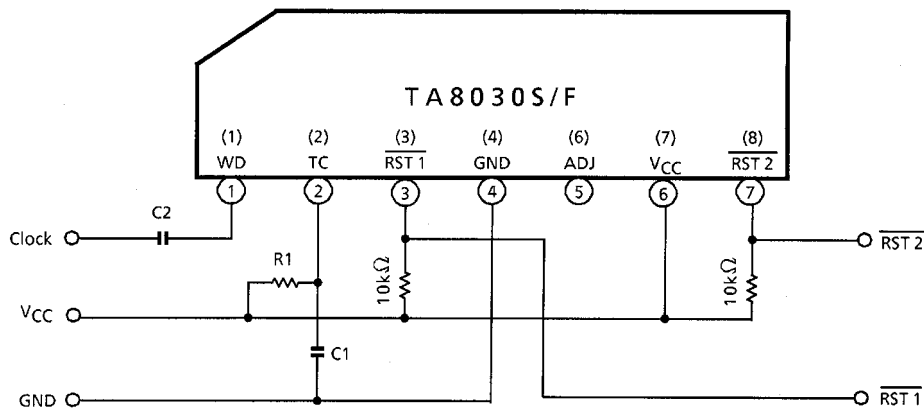
ADJ PIN PULL-UP / DOWN RESISTANCE VS VCC DETECT VOLTAGE



EQUIVALENT CIRCUIT DIAGRAM (WATCHDOG TIMER)



EXAMPLE OF APPLICATION CIRCUIT



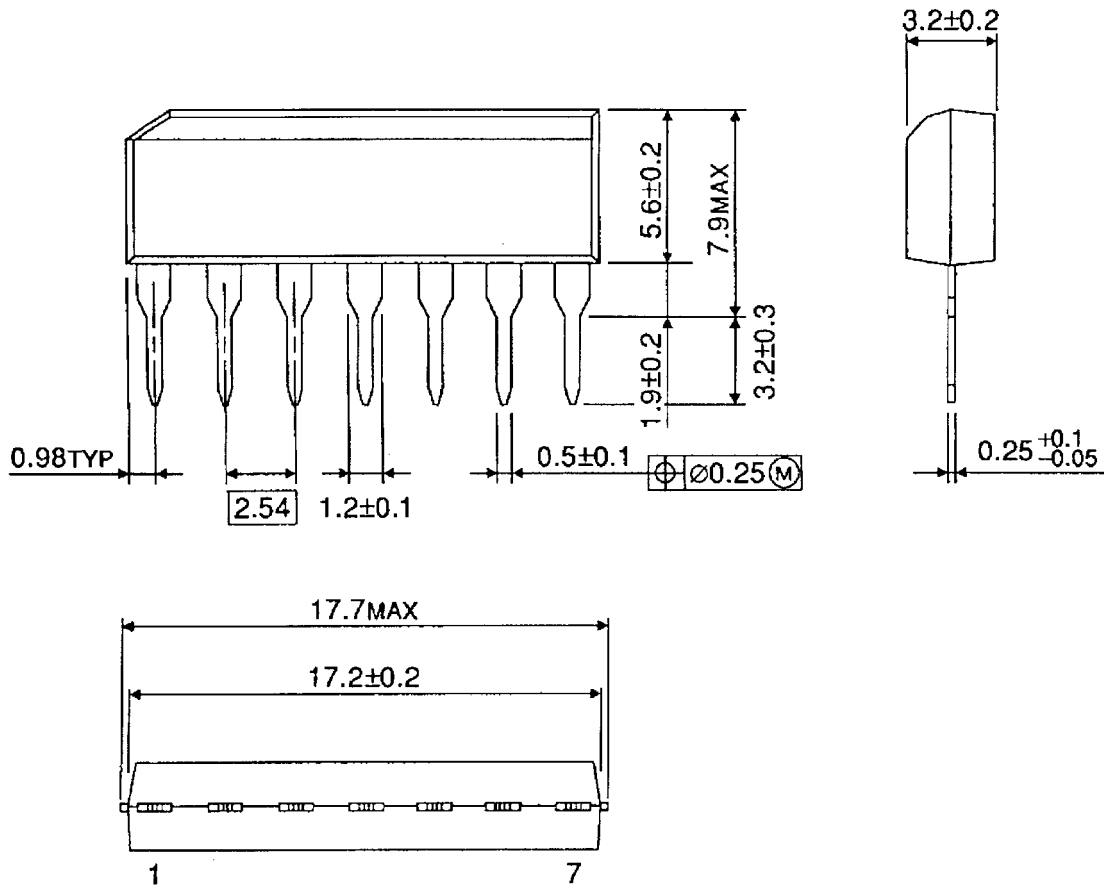
RECOMMENDED CONDITIONS

PART NAME	MIN	TYP.	MAX	UNIT
C ₁	0.01		100	μF
R ₁	10		100	kΩ
C ₂		2200		pF

Package Dimensions

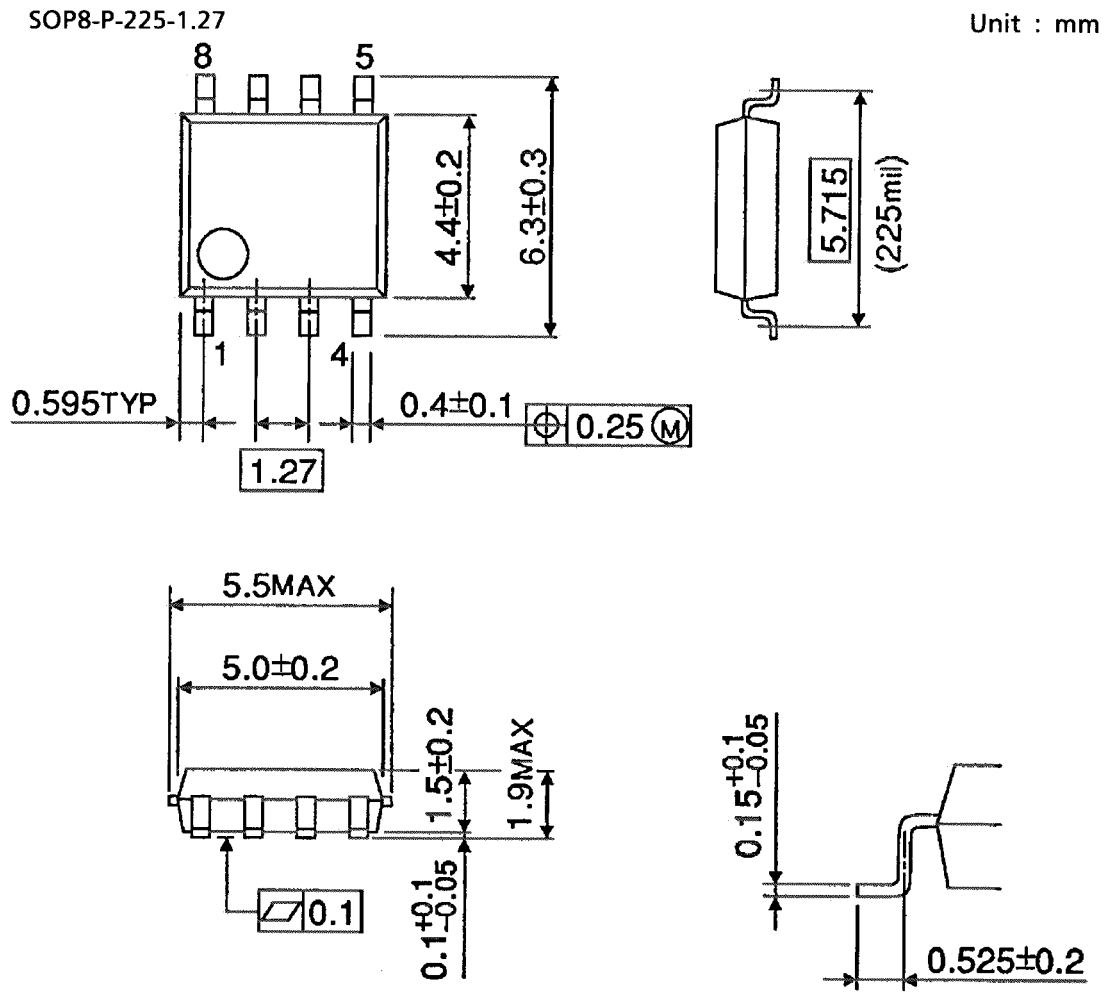
SIP7-P-2.54A

Unit : mm



Weight: 0.7g (Typ.)

Package Dimensions



Weight: 0.08g (Typ.)

RESTRICTIONS ON PRODUCT USE

000707EAA_S

- TOSHIBA is continually working to improve the quality and reliability of its products. Nevertheless, semiconductor devices in general can malfunction or fail due to their inherent electrical sensitivity and vulnerability to physical stress. It is the responsibility of the buyer, when utilizing TOSHIBA products, to comply with the standards of safety in making a safe design for the entire system, and to avoid situations in which a malfunction or failure of such TOSHIBA products could cause loss of human life, bodily injury or damage to property.
In developing your designs, please ensure that TOSHIBA products are used within specified operating ranges as set forth in the most recent TOSHIBA products specifications. Also, please keep in mind the precautions and conditions set forth in the "Handling Guide for Semiconductor Devices," or "TOSHIBA Semiconductor Reliability Handbook" etc..
- The information contained herein is presented only as a guide for the applications of our products. No responsibility is assumed by TOSHIBA CORPORATION for any infringements of intellectual property or other rights of the third parties which may result from its use. No license is granted by implication or otherwise under any intellectual property or other rights of TOSHIBA CORPORATION or others.
- The information contained herein is subject to change without notice.