

TOSHIBA BIPOLAR LINEAR INTEGRATED CIRCUIT SILICON MONOLITHIC

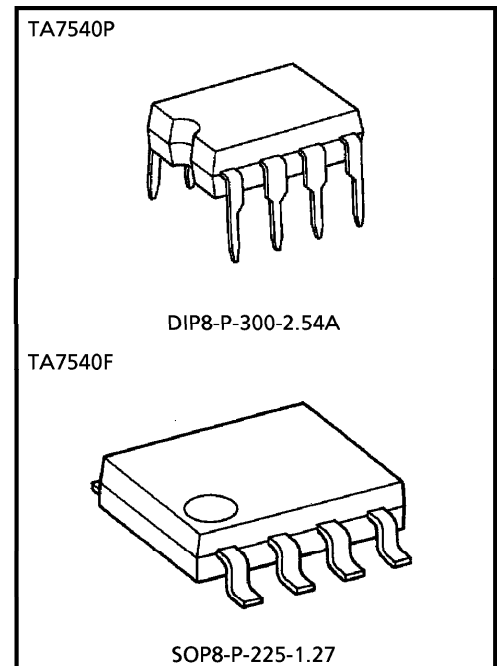
**TA7540P, TA7540F****SINGLE OPERATIONAL AMPLIFIER**

The TA7540P is a programmable monolithic precision micro-power operational amplifier that can be used either in signal or dual supply operation.

A signal external bias current setting resistor programs the input bias current, input offset current, quiescent power consumption, slew rate, and the gain-bandwidth product.

**FEATURES**

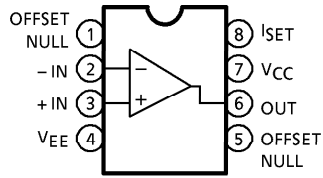
- Very Low Power Consumption
- Programmable Supply Current : 25~85 $\mu$ A (Typ.)
- Wide Power Supply Range : Single Supply 3~36V  
Dual Supplies  $\pm 1.5\sim\pm 18$ V
- Input Common-Mode Voltage Range Includes Ground
- Low Input Offset Voltage : 1mV (Typ.)
- Low Input Offset Current : 0.5nA (Typ.)
- No Frequency Compensation Required
- Programmable Electrical Characteristics
- Offset Voltage Nulling Capability



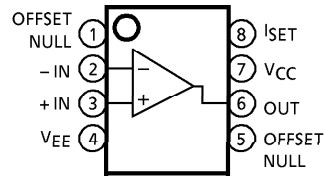
Weight  
 DIP8-P-300-2.54 : 0.5g (Typ.)  
 SOP8-P-225-1.27 : 0.1g (Typ.)

**PIN CONNECTION (TOP VIEW)**

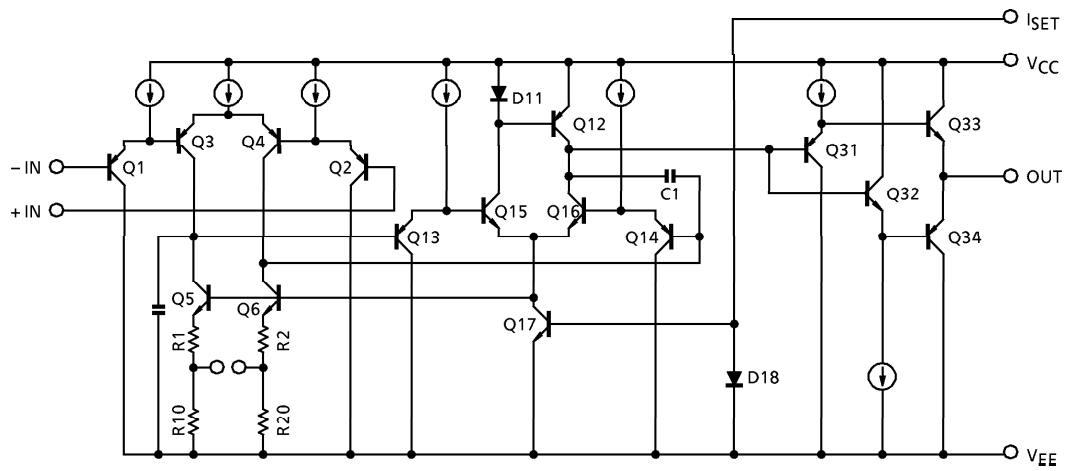
**TA7540P**



**TA7540F**



**EQUIVALENT CIRCUIT**



## MAXIMUM RATINGS (Ta = 25°C)

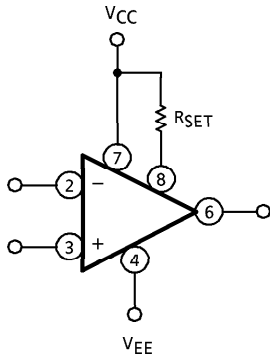
CHARACTERISTIC		SYMBOL	RATING	UNIT
Supply Voltage		$V_{CC}\cdot V_{EE}$	$\pm 18$ or 36	V
Differential Voltage		$DV_{IN}$	$\pm 36$	V
Input Voltage		$V_{IN}$	-0.3~36	V
Power Dissipation	TA7540P	$P_D$	500	mW
	TA7540F		240	
Operating Temperature		$T_{opr}$	-40~85	°C
Storage Temperature		$T_{stg}$	-55~125	°C

ELECTRICAL CHARACTERISTICS (Unless otherwise noted,  $V_{CC} = 2.5V$ ,  $V_{EE} = -2.5V$ ,  $T_a = 25^\circ C$ ,  $I_{SET} = 2.5\mu A$ )

CHARACTERISTIC	SYMBOL	TEST CIR-CUIT	TEST CONDITION	MIN.	TYP.	MAX.	UNIT
Input Offset Voltage	$V_{IO}$	—	$R_g \leq 10k\Omega$	—	1	5	mV
Input Offset Current	$I_{IO}$	—	—	—	0.5	30	nA
Input Bias Current	$I_I$	—	—	—	6	100	nA
Common Mode Input Voltage	$CMV_{IN}$	—	—	$V_{EE}$	—	$V_{CC} - 1.5$	V
Maximum Output Voltage Swing	$V_{OM}$	—	$R_L = 100k\Omega$	$\pm 1.5$	$\pm 1.7$	—	V
	$V_{OMR}$	—	$V_{CC} = 15V, V_{EE} = -15V$ $R_L = 25k\Omega$	$\pm 13.5$	$\pm 14$	—	
Open Loop Voltage Gain	$G_V$	—	$R_L = 100k\Omega$	86	100	—	dB
Common Mode Input Signal Rejection Ratio	CMRR	—	$R_g \leq 10k\Omega$	80	100	—	dB
Supply Voltage Rejection Ratio	SVRR	—	$R_g \leq 10k\Omega$	80	110	—	dB
Slew Rate	SR	—	$G_V = 1, R_L = 100k\Omega$	—	40	—	mV / $\mu s$
Unity Gain Cross Frequency	$f_T(1)$	—	—	—	100	—	kHz
	$f_T(2)$	—	$I_{SET} = 0.5\mu A$	—	50	—	
Supply Current	$I_{CC}(1)$	—	—	—	85	150	$\mu A$
	$I_{CC}(2)$	—	$I_{SET} = 0.5\mu A$	—	35	80	
	$I_{CC}(3)$	—	$V_{CC} = 15V, V_{EE} = -15V$ $I_{SET} = 2.5\mu A$	—	120	300	
Output Sink Current	$I_{SINK}$	—	—	0.5	2.0	—	mA
Output Source Current	$I_{SOURCE}$	—	—	0.5	2.0	—	mA

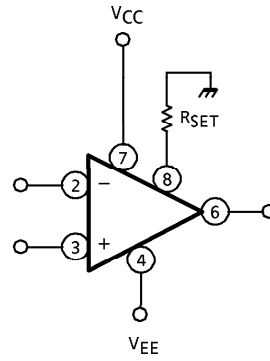
**TYPICAL APPLICATIONS**

R<sub>SET</sub> CONNECTED TO V<sub>CC</sub>



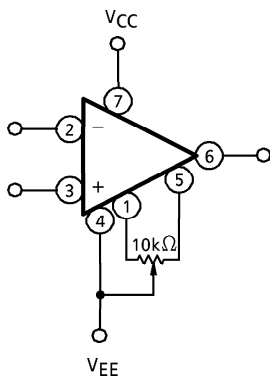
$$I_{SET} \approx \frac{V_{CC} - V_{EE} - 0.6}{R_{SET}}$$

R<sub>SET</sub> CONNECTED TO GROUND

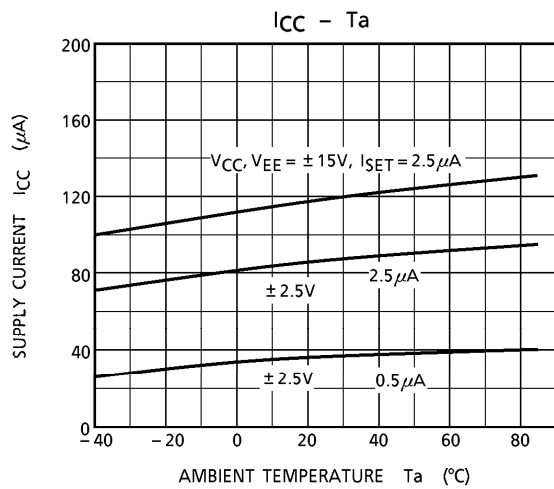
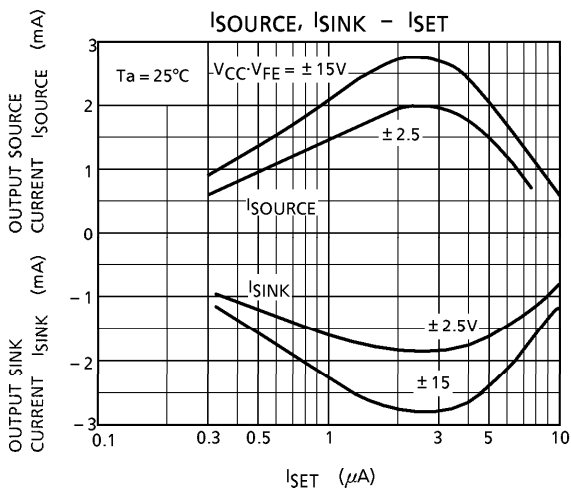
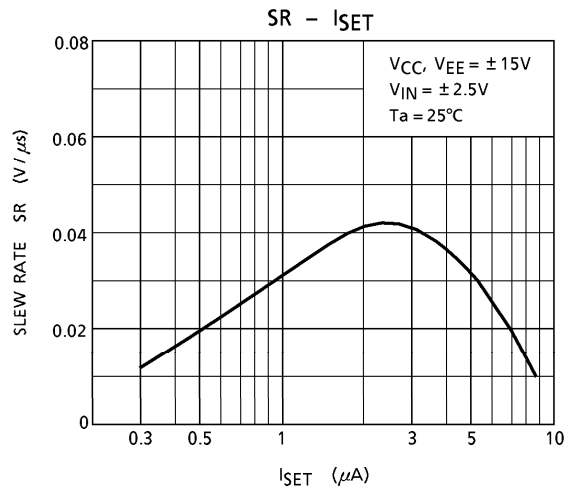
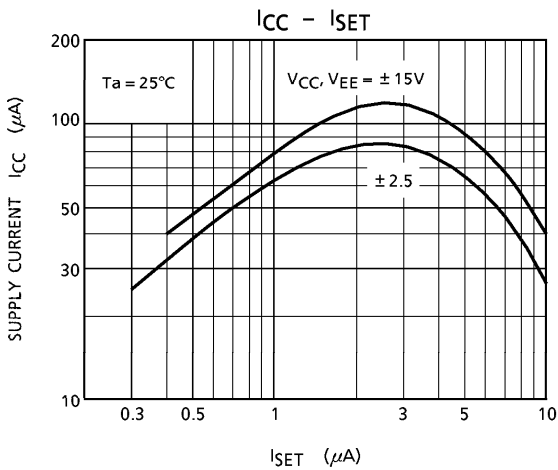
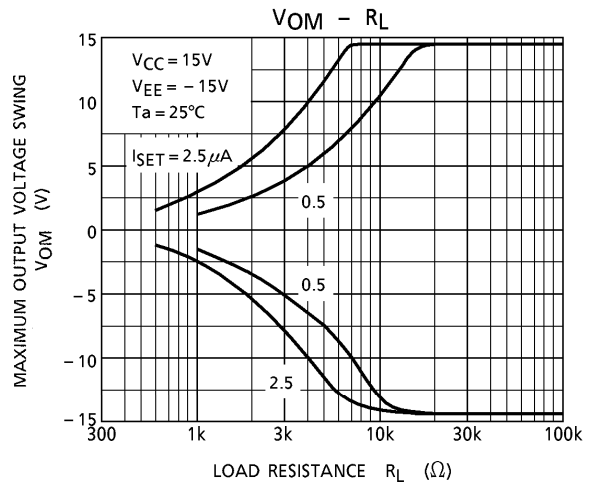
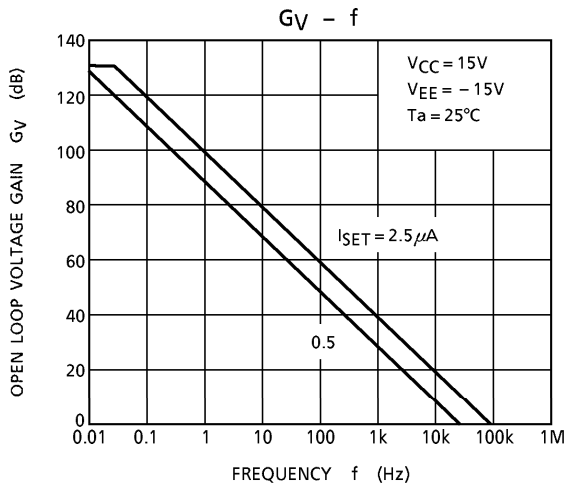


$$I_{SET} \approx \frac{-V_{EE} - 0.6}{R_{SET}}$$

OFFSET NULL CIRCUIT

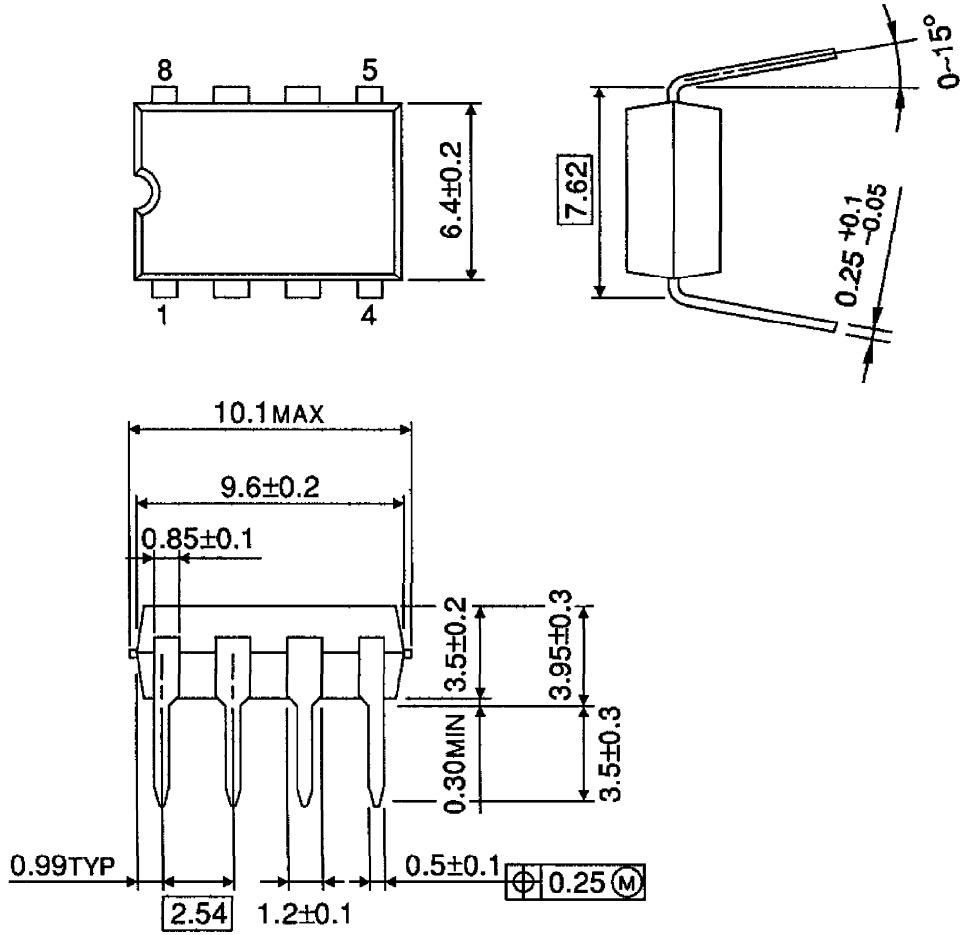


CHARACTERISTICS



**PACKAGE DIMENSIONS**  
DIP8-P-300-2.54A

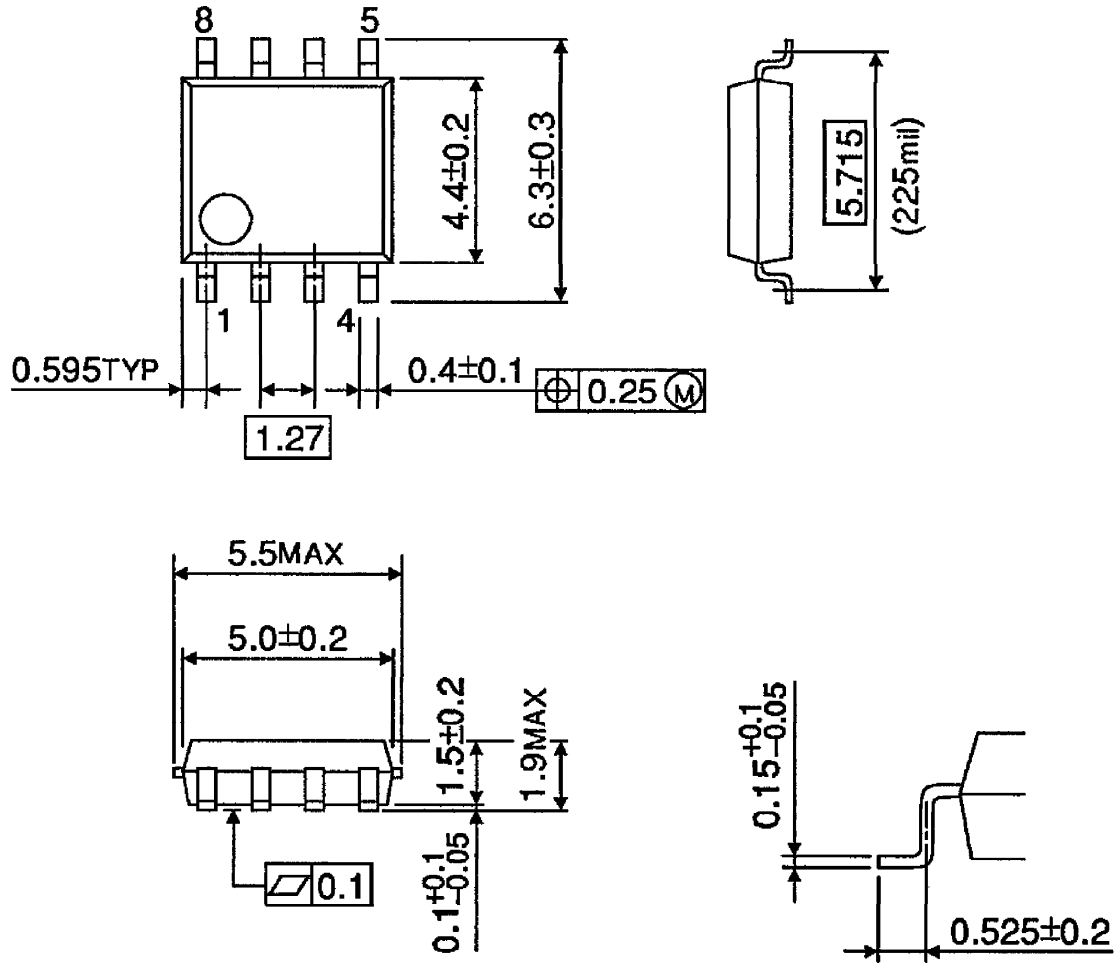
Unit : mm



Weight : 0.5g (Typ.)

**PACKAGE DIMENSIONS**  
SOP8-P-225-1.27

Unit : mm



Weight : 0.1g (Typ.)

**RESTRICTIONS ON PRODUCT USE**

000707EBA

- TOSHIBA is continually working to improve the quality and reliability of its products. Nevertheless, semiconductor devices in general can malfunction or fail due to their inherent electrical sensitivity and vulnerability to physical stress. It is the responsibility of the buyer, when utilizing TOSHIBA products, to comply with the standards of safety in making a safe design for the entire system, and to avoid situations in which a malfunction or failure of such TOSHIBA products could cause loss of human life, bodily injury or damage to property. In developing your designs, please ensure that TOSHIBA products are used within specified operating ranges as set forth in the most recent TOSHIBA products specifications. Also, please keep in mind the precautions and conditions set forth in the "Handling Guide for Semiconductor Devices," or "TOSHIBA Semiconductor Reliability Handbook" etc..
- The TOSHIBA products listed in this document are intended for usage in general electronics applications (computer, personal equipment, office equipment, measuring equipment, industrial robotics, domestic appliances, etc.). These TOSHIBA products are neither intended nor warranted for usage in equipment that requires extraordinarily high quality and/or reliability or a malfunction or failure of which may cause loss of human life or bodily injury ("Unintended Usage"). Unintended Usage include atomic energy control instruments, airplane or spaceship instruments, transportation instruments, traffic signal instruments, combustion control instruments, medical instruments, all types of safety devices, etc.. Unintended Usage of TOSHIBA products listed in this document shall be made at the customer's own risk.
- The products described in this document are subject to the foreign exchange and foreign trade laws.
- The information contained herein is presented only as a guide for the applications of our products. No responsibility is assumed by TOSHIBA CORPORATION for any infringements of intellectual property or other rights of the third parties which may result from its use. No license is granted by implication or otherwise under any intellectual property or other rights of TOSHIBA CORPORATION or others.
- The information contained herein is subject to change without notice.