

TOSHIBA BIPOLAR LINEAR INTEGRATED CIRCUIT SILICON MONOLITHIC

TA7508P, TA7508F

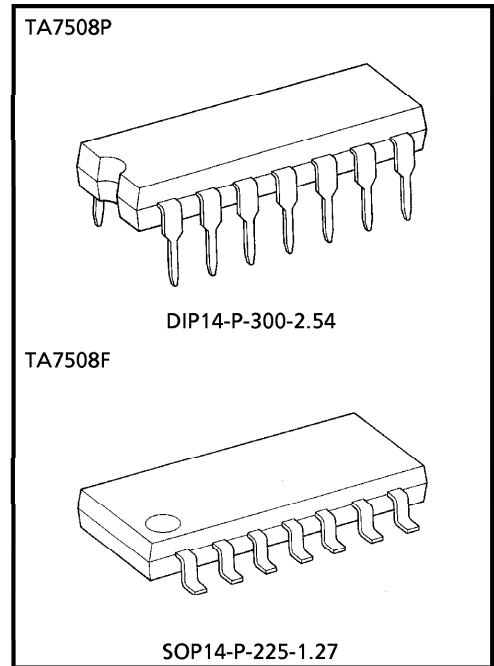
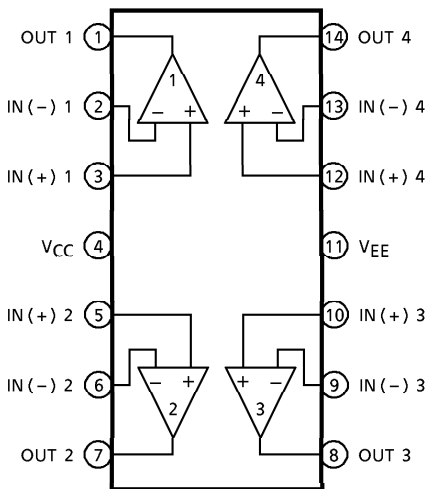
QUAD OPERATIONAL AMPLIFIER

The TA7508P and TA7508F are quad low-noise operational amplifier.

FEATURES

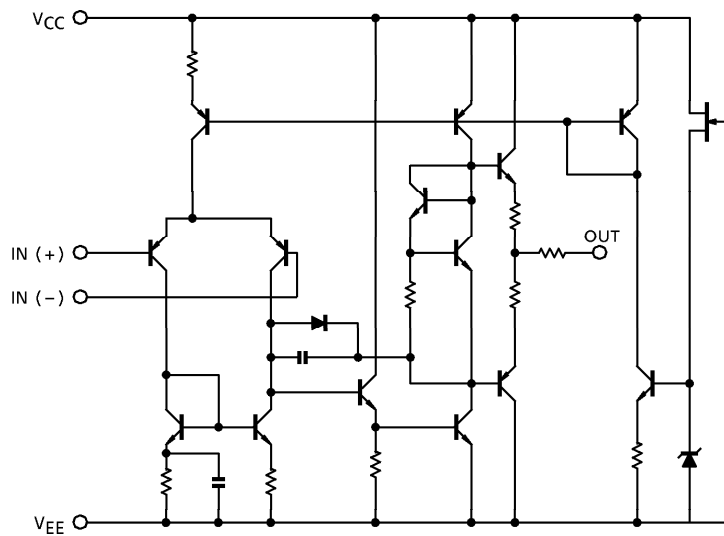
- Equivalent Input Noise Voltage : $2.5\mu V_{rms}$ (Typ.)
- Slew Rate : $1V/\mu s$ (Typ.)
- Wide Power Supply Range : $\pm 4\sim\pm 18V$
- Internal Frequency Compensation
- Output Short Circuit Protection

PIN CONNECTION (TOP VIEW)



Weight
 DIP14-P-300-2.54 : 1.0g (Typ.)
 SOP14-P-225-1.27 : 0.2g (Typ.)

EQUIVALENT CIRCUIT



MAXIMUM RATINGS (T_a = 25°C)

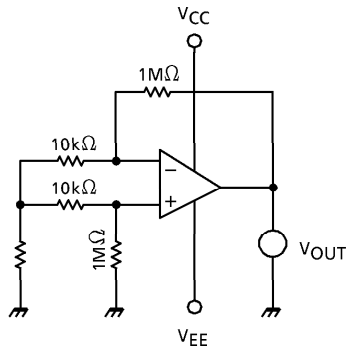
CHARACTERISTIC	SYMBOL	TA7508P	TA7508F	UNIT
Supply Voltage	V _{CC}	18	18	V
	V _{EE}	- 18	- 18	
Differential Input Voltage	DV _{IN}	± 36	± 36	V
Input Voltage	V _{IN}	V _{CC} ~V _{EE}	V _{CC} ~V _{EE}	V
Power Dissipation	P _D	625	280	mW
Operating Temperature	T _{opr}	- 40~85	- 40~85	°C
Ambient Temperature	T _{stg}	- 55~125	- 55~125	°C

ELECTRICAL CHARACTERISTICS ($V_{CC} = 15V$, $V_{EE} = -15V$, $T_a = 25^\circ C$)

CHARACTERISTIC	SYMBOL	TEST CIR-CUIT	TEST CONDITION	MIN.	TYP.	MAX.	UNIT
Input Offset Voltage	V_{IO}	1	$R_g \leq 10k\Omega$	—	0.5	6	mV
Input Offset Current	I_{IO}	2	—	—	5	200	nA
Input Bias Current	I_I	2	—	—	60	500	nA
Common Mode Input Voltage	CMV_{IN}	3	—	± 12	± 14	—	V
Maximum Output Voltage	V_{OM}	6	$R_L = 10k\Omega$	± 12	± 14	—	V
	V_{OMR}		$R_L = 2k\Omega$	± 10	± 13	—	
Source Current	I_{source}	8	—	—	40	—	mA
Sink Current	I_{sink}	7	—	—	40	—	mA
Voltage Gain (Open Loop)	G_V	5	$V_{OUT} = \pm 10V$, $R_L = 2k\Omega$	86	100	—	dB
Common Mode Input Signal Rejection Ratio	CMRR	3	$R_g \leq 10k\Omega$	70	90	—	dB
Supply Voltage Rejection Ratio	SVRR	1	$R_g \leq 10k\Omega$	—	30	150	$\mu V/V$
Slew Rate	SR	9	$G_V = 1$, $R_L = 2k\Omega$	—	1.0	—	V / μs
Unity Gain Cross Frequency	f_T	5	Open Loop	—	3.0	—	MHz
Supply Current	I_{CC} , I_{EE}	4	—	—	7.0	11.3	mA
Equivalent Input Noise Voltage	V_{NI}	—	$R_S = 1k\Omega$, $f = 30Hz \sim 30kHz$	—	2.5	—	μV_{rms}

TEST CIRCUIT

(1) V_{IO} , $SVRR$

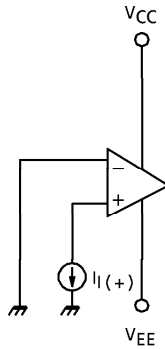
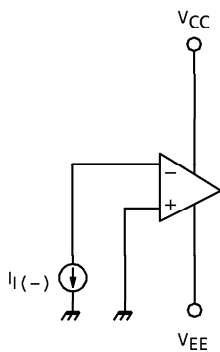


- $V_{IO} = V_{OUT} / 100$
- $SVRR = 20 \log E$ (dB)

$$E = \left| \frac{V_{OUT1} - V_{OUT2}}{(V_{CC1} - V_{EE1}) - (V_{CC2} - V_{EE2})} \right| \times \frac{1}{100}$$

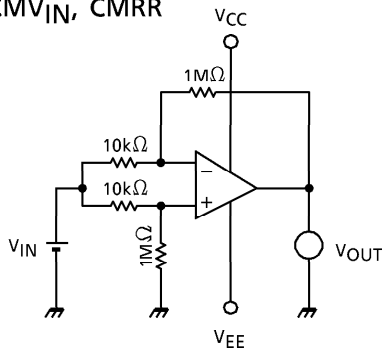
- V_{OUT1} : V_{OUT} (V_{CC} , $V_{EE} = \pm 8V$)
- V_{OUT2} : V_{OUT} (V_{CC} , $V_{EE} = \pm 18V$)
- V_{CC1} : $V_{CC} = -8V$
- V_{EE1} : $V_{EE} = -8V$
- V_{CC2} : $V_{CC} = +18V$
- V_{EE2} : $V_{EE} = -18V$

(2) I_I , I_{IO}



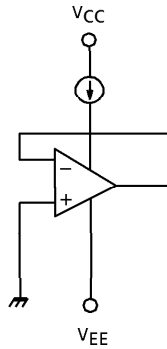
$$I_{IO} = |I_I(-) - I_I(+)|$$

(3) CMV_{IN} , $CMRR$



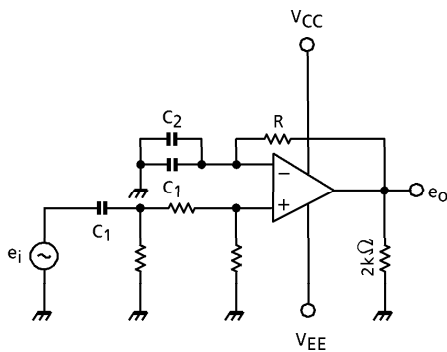
- $CMRR = 20 \log G_D / G_C$ (dB)
- G_D : DIFFERENTIAL VOLTAGE GAIN
- G_C : COMMON MODE VOLTAGE GAIN
- CMV_{IN} : $V_{IN} = -12V, 12V$ SUPPLIES

(4) I_{CC}



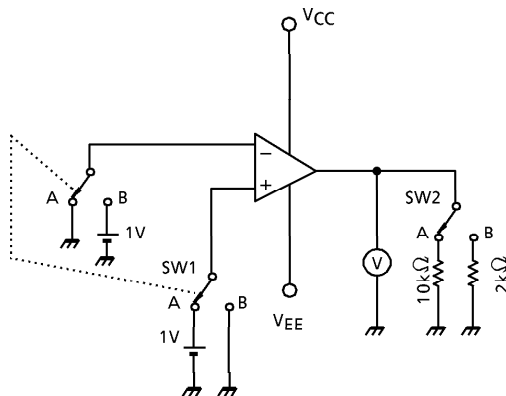
- $I_{CC} : V_{CC}, V_{EE} = \pm 15V$

(5) G_V, f_T



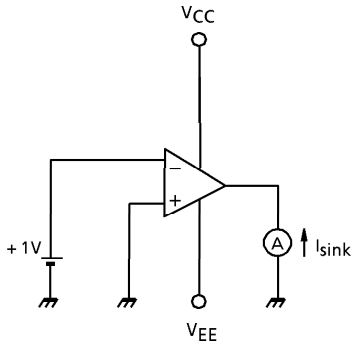
- $G_V = 20 \log e_o / e_i$ (dB)
 $R \gg 1 / \omega C_1$
 C_1 : COUPLING CONDENSER
 C_2 : HIGH FREQUENCY BYPASS CONDENSER
- f_T : INPUT FREQUENCY AT $e_i = e_o$

(6) V_{OM}, V_{OMR}

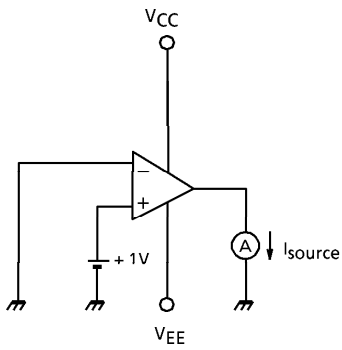


- $V_{OM} : (+) : SW1$ IS SIDE A, $SW2$ IS SIDE A
 $(-) : SW1$ IS SIDE B, $SW2$ IS SIDE A
- $V_{OMR} : (+) : SW1$ IS SIDE A, $SW2$ IS SIDE B
 $(-) : SW1$ IS SIDE B, $SW2$ IS SIDE B

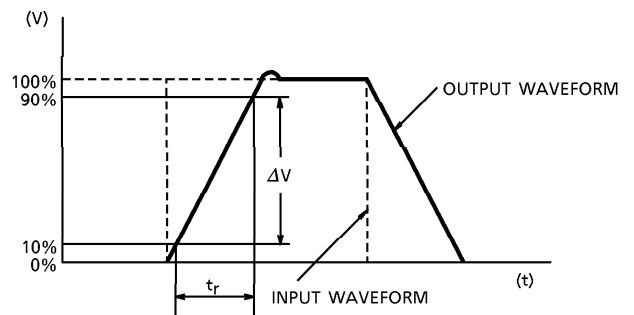
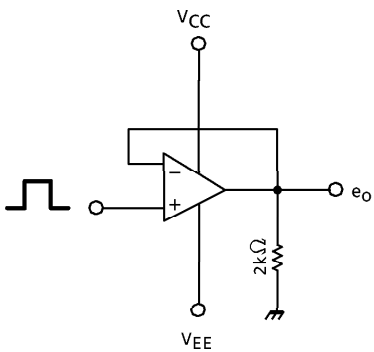
(7) I_{sink}



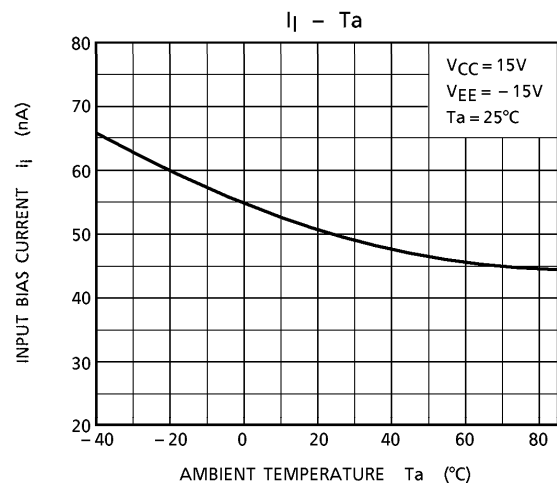
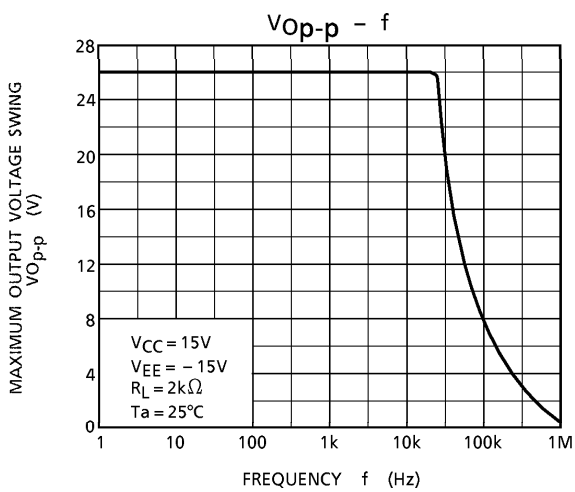
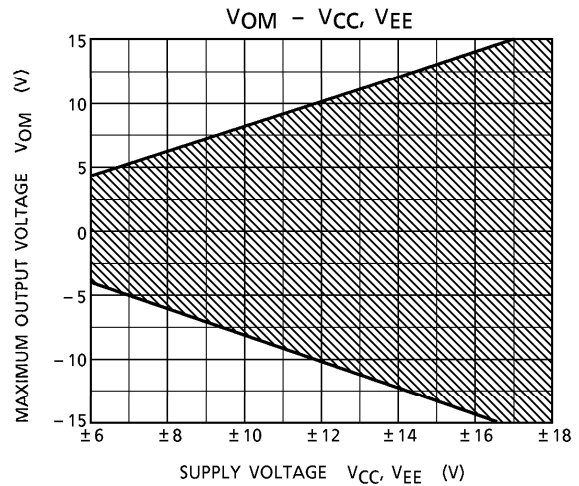
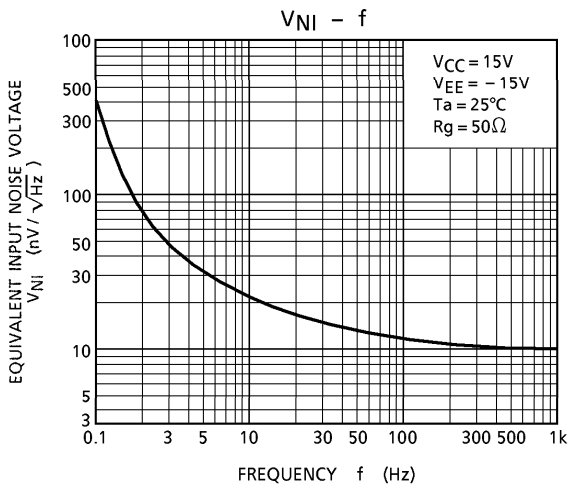
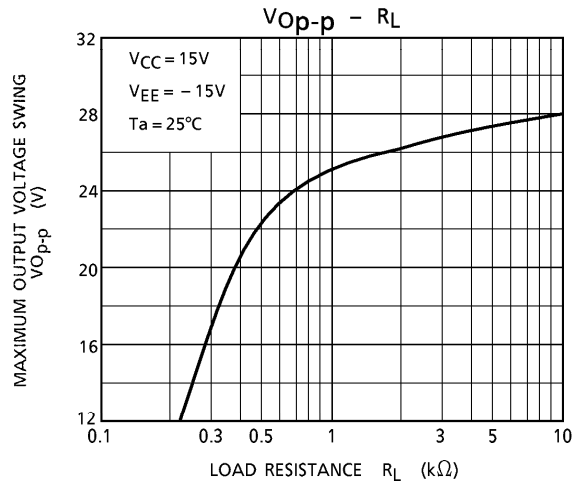
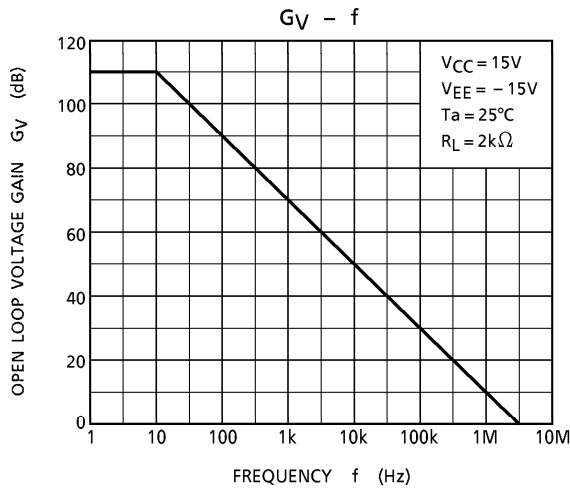
(8) I_{source}

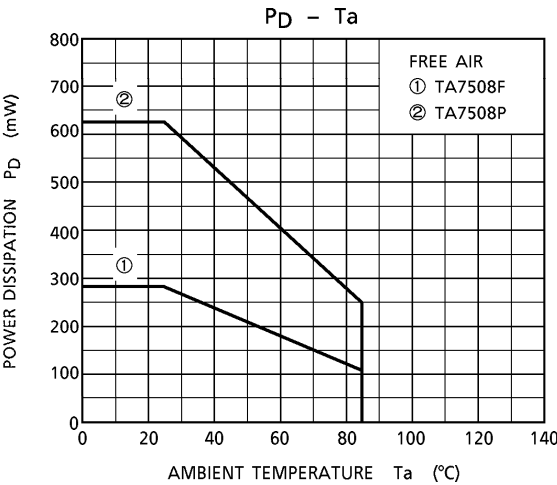


(9) SR



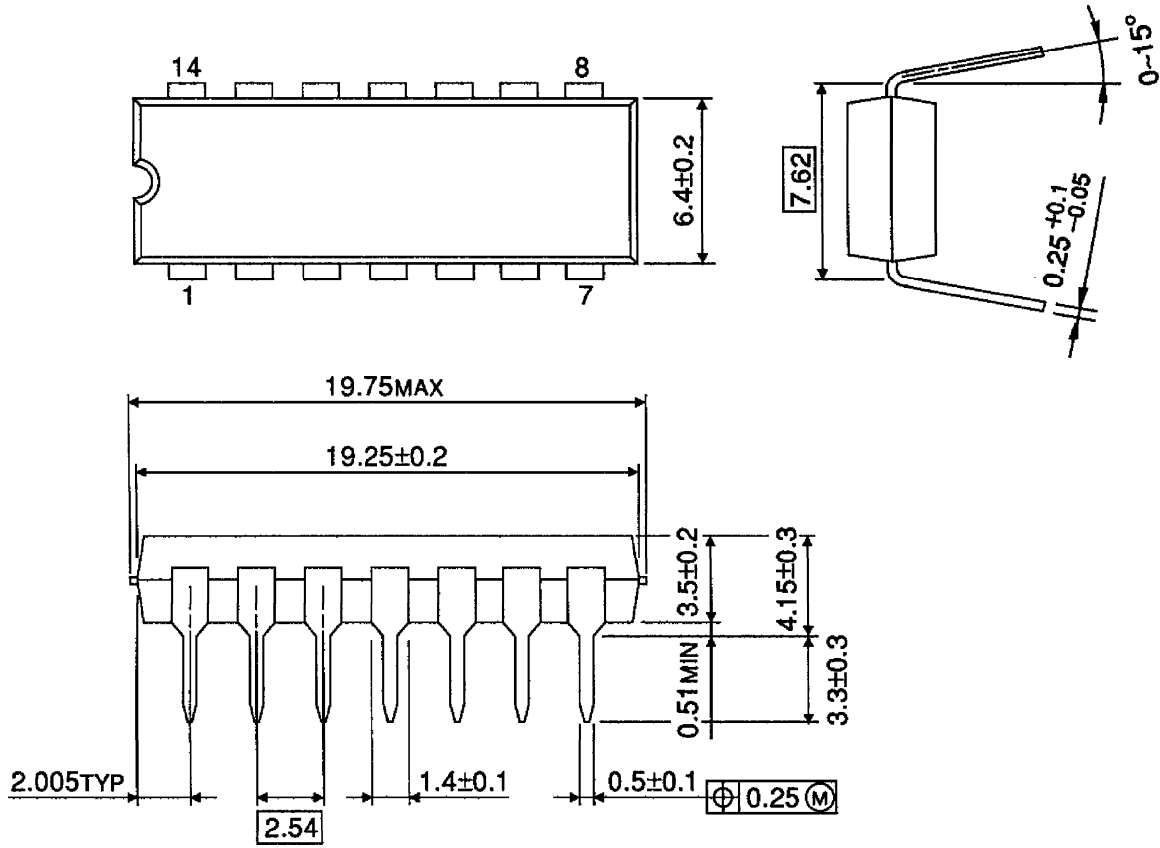
CHARACTERISTIC





PACKAGE DIMENSIONS
DIP14-P-300-2.54

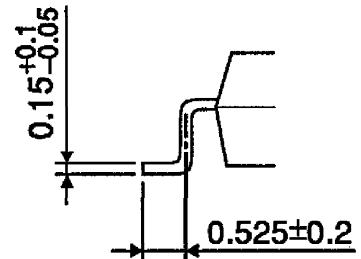
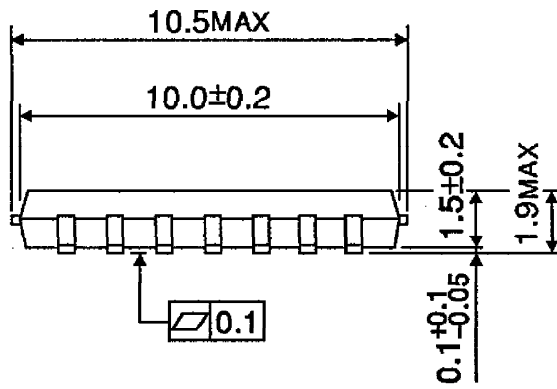
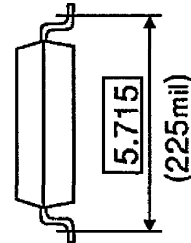
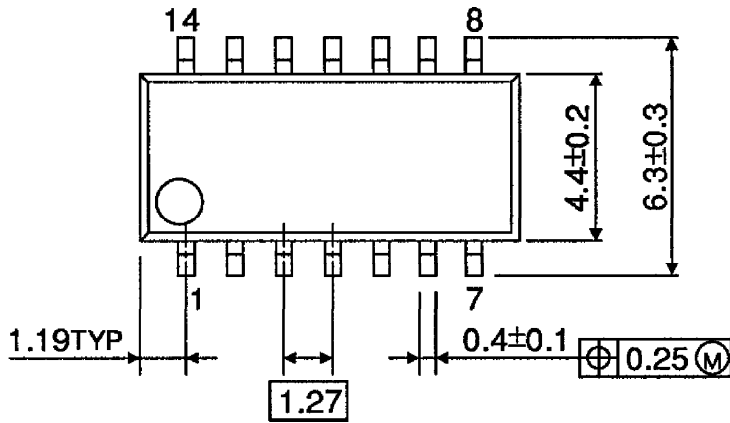
Unit : mm



Weight : 1.0g (Typ.)

PACKAGE DIMENSIONS
SOP14-P-225-1.27

Unit : mm



Weight : 0.2g (Typ.)

RESTRICTIONS ON PRODUCT USE

000707EBA

- TOSHIBA is continually working to improve the quality and reliability of its products. Nevertheless, semiconductor devices in general can malfunction or fail due to their inherent electrical sensitivity and vulnerability to physical stress. It is the responsibility of the buyer, when utilizing TOSHIBA products, to comply with the standards of safety in making a safe design for the entire system, and to avoid situations in which a malfunction or failure of such TOSHIBA products could cause loss of human life, bodily injury or damage to property. In developing your designs, please ensure that TOSHIBA products are used within specified operating ranges as set forth in the most recent TOSHIBA products specifications. Also, please keep in mind the precautions and conditions set forth in the "Handling Guide for Semiconductor Devices," or "TOSHIBA Semiconductor Reliability Handbook" etc..
- The TOSHIBA products listed in this document are intended for usage in general electronics applications (computer, personal equipment, office equipment, measuring equipment, industrial robotics, domestic appliances, etc.). These TOSHIBA products are neither intended nor warranted for usage in equipment that requires extraordinarily high quality and/or reliability or a malfunction or failure of which may cause loss of human life or bodily injury ("Unintended Usage"). Unintended Usage include atomic energy control instruments, airplane or spaceship instruments, transportation instruments, traffic signal instruments, combustion control instruments, medical instruments, all types of safety devices, etc.. Unintended Usage of TOSHIBA products listed in this document shall be made at the customer's own risk.
- The products described in this document are subject to the foreign exchange and foreign trade laws.
- The information contained herein is presented only as a guide for the applications of our products. No responsibility is assumed by TOSHIBA CORPORATION for any infringements of intellectual property or other rights of the third parties which may result from its use. No license is granted by implication or otherwise under any intellectual property or other rights of TOSHIBA CORPORATION or others.
- The information contained herein is subject to change without notice.