

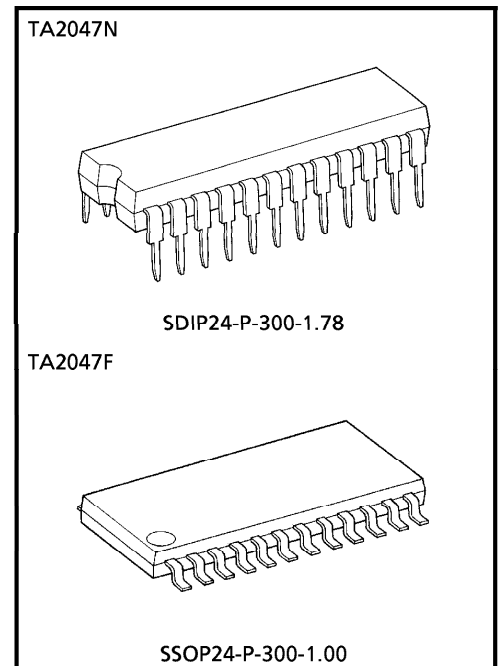
# TA2047N, TA2047F

## FILTER IC FOR NICAM

The TA2047N, TA2047F is an analog filter IC for NICAM. Using the TA2047N, TA2047F in combination the TB1212N, TB1212F (Single Chip NICAM System), it is possible to construct a NICAM decoder system with less external parts.

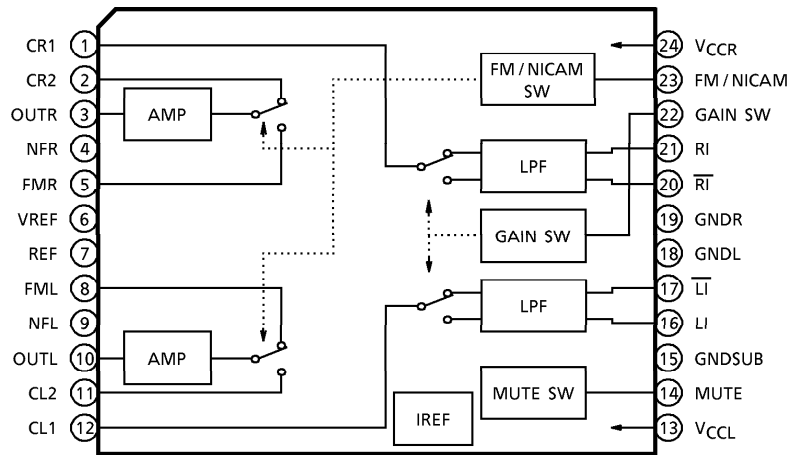
### FEATURES

- Built-in CR for LPFs and output (differential) amplifiers for the left and right channel.
- Built-in audio SW and possible to FM signal input dynamic range up. ( $V_{CC} = 9V$ )
- It is possible to apply an analog de-emphasis circuit.
- $2V_{rms}$  output. ( $V_{CC} = 9V$ )
- 6dB up SW. (9V operation)
- Built-in analog mute circuit.
- 9V power supply operation. (5V, 12V possible)

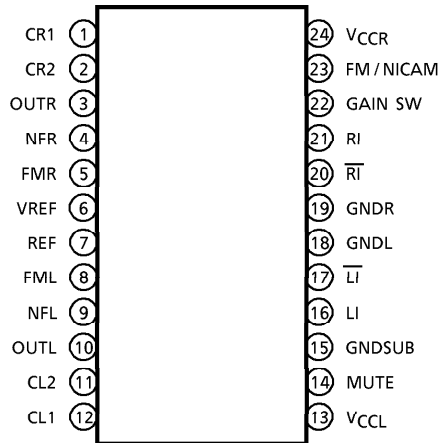


Weight  
SDIP24-P-300-1.78 : 1.22g (Typ.)  
SSOP24-P-300-1.00 : 0.32g (Typ.)

BLOCK DIAGRAM



TERMINAL CONNECTION

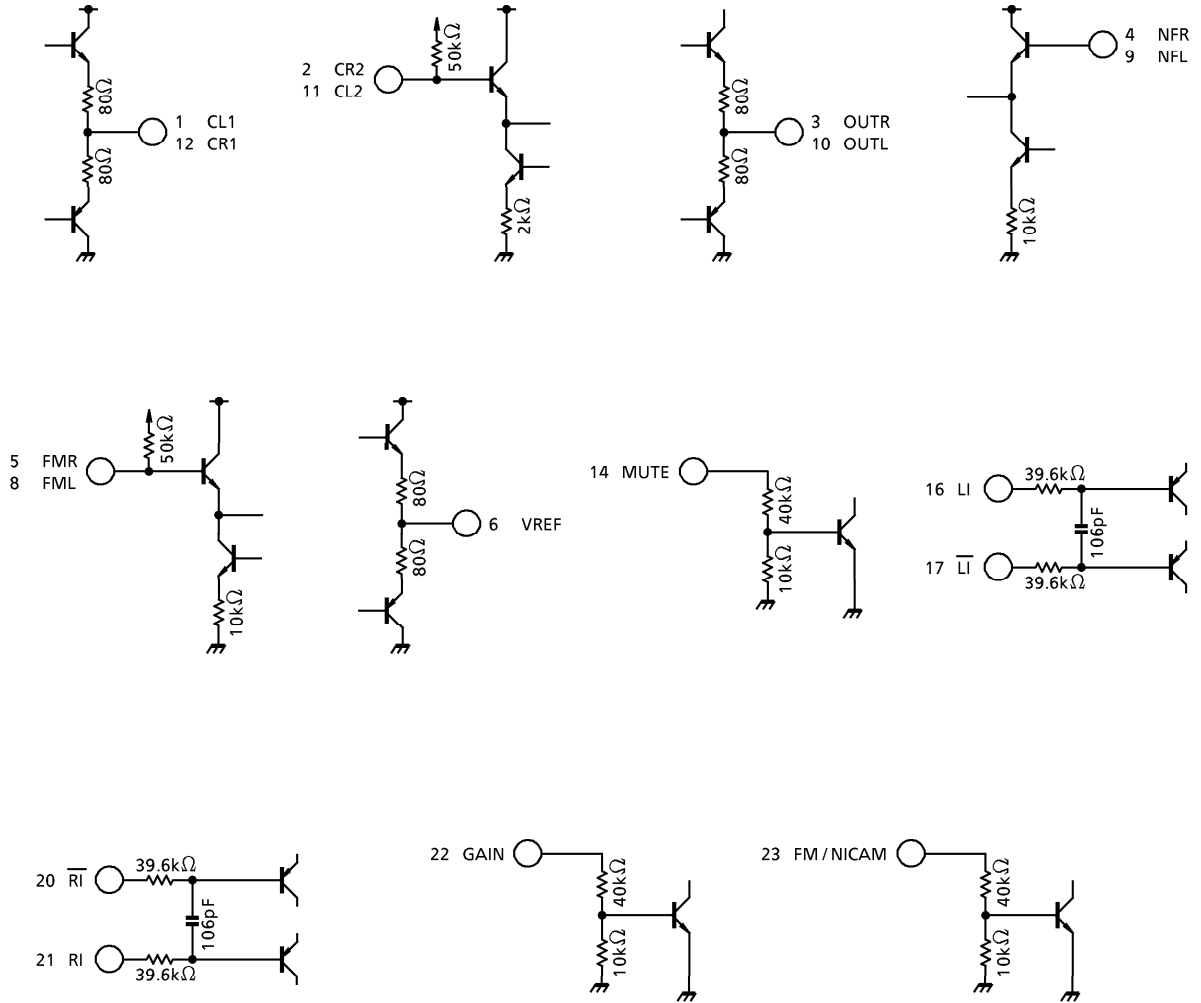


**TERMINAL FUNCTION**

Terminal list (Pin 24 FP, SDIP24)

PIN No.	PIN NAME	I/O	FUNCTION
1	CR1	O	R channel LPF input terminal.
2	CR2	I	R channel FM/NICAM select Amp. forward input terminal. (NICAM)
3	OUTR	O	R channel FM/NICAM select Amp. output terminal.
4	NFR	I	R channel FM/NICAM select Amp. reverse input terminal.
5	FMR	I	R channel FM/NICAM select Amp. forward input terminal. (FM)
6	VREF	O	1/2 $V_{CC}$ reference voltage output terminal.
7	REF	—	(to be open)
8	FML	I	L channel FM/NICAM select Amp. forward input terminal. (FM)
9	NFL	I	L channel FM/NICAM select Amp. reverse input terminal.
10	OUTL	O	L channel FM/NICAM select Amp. output terminal.
11	CL2	I	L channel FM/NICAM select Amp. forward input terminal (NICAM)
12	CL1	O	L channel LPF input terminal.
13	$V_{CCL}$	—	L channel power supply.
14	MUTE	I	MUTE control signal input terminal. (L : MUTE OFF, H : MUTE ON)
15	GNDSUB	—	GND
16	LI	I	L channel forward input terminal.
17	$\bar{L}I$	I	L channel reverse input terminal.
18	GNDL	—	L channel GND.
19	GNDR	—	R channel GND.
20	$\bar{R}I$	I	R channel reverse input terminal.
21	RI	I	R channel forward input terminal.
22	GAIN SW	I	Gain control. (L : +0dB, H : +6dB)
23	FM/NICAM	I	FM/NICAM select terminal. (L : FM, H : NICAM)
24	$V_{CCR}$	—	R channel power supply.

**TERMINAL INTERFACE CIRCUIT**



**MAXIMUM RATINGS (Ta = 25°C)**

CHARACTERISTIC	SYMBOL	RATING	UNIT
Supply Voltage	V <sub>CC</sub>	12.6	V
Storage Temperature	T <sub>stg</sub>	- 55~150	°C
Power Dissipation	P <sub>D</sub>	1300 (*1)	mW
		400 (*2)	

(\*1) When using the device at above Ta = 25°C, decrease the power dissipation by 3.6mW for each increase of 1°C. [TA2047N (24Pin SDIP Package) ]

(\*2) When using the device at above Ta = 25°C, decrease the power dissipation by 10.4mW for each increase of 1°C. [TA2047F (24Pin SSOP Package) ]

**RECOMMENDABLE OPERATING CONDITION**

CHARACTERISTIC	SYMBOL	TEST CONDITION	MIN.	TYP.	MAX.	UNIT
Supply Voltage	V <sub>CC</sub>	—	4.5	—	12.6	V
Operating Temperature	T <sub>opr</sub>	—	- 25	—	65	°C

**ELECTRICAL CHARACTERISTICS (tentative)**

(Unless otherwise specified , V<sub>CC</sub> = 9V, 1/2V<sub>DD</sub> = 2.5V, OSC1 = OSC2 = 1.17V<sub>rms</sub> (1kHz) )  
 SW<sub>1</sub>~SW<sub>8</sub> = a, 400Hz HPF, 30kHz LPF, Ta = 25°C

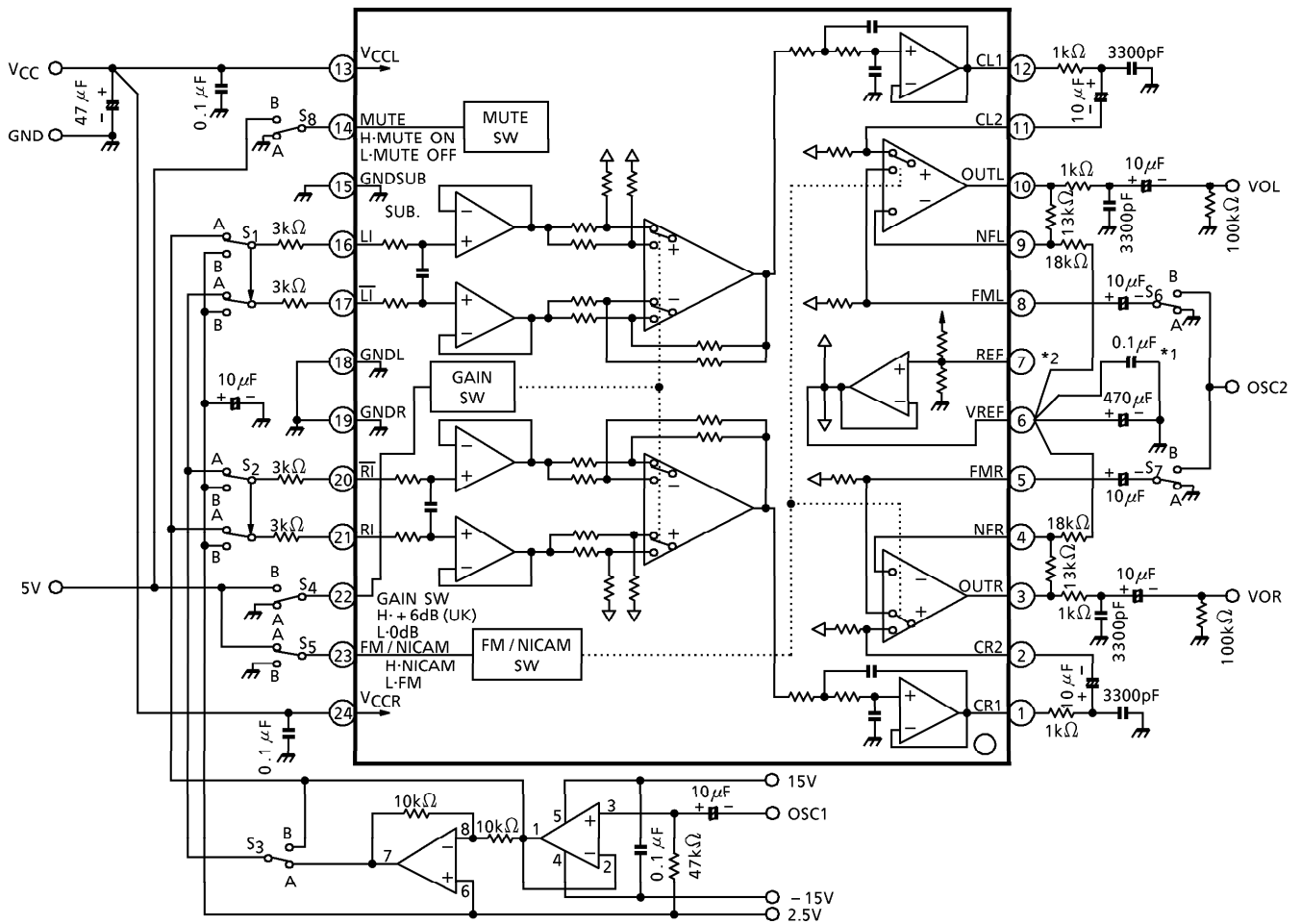
CHARACTERISTIC	SYMBOL	TEST CIR-CUIT	TEST CONDITION	MIN.	TYP.	MAX.	UNIT
Consumption Current	I <sub>CCQ</sub>	—	SW <sub>1</sub> = SW <sub>2</sub> = b	11.6	15.6	21.0	mA
Noise Distortion Factor	THD + N	—	—	—	- 79	- 74	dB
S / N	S / N	—	—	82	86	—	dB
Gain	G <sub>V</sub>	—	OSC1 = 460mV <sub>rms</sub>	2.60	4.24	—	dB
Gain (15k)	G <sub>V</sub> (15k)	—	f = 15kHz, OSC1 = 460mV <sub>rms</sub>	1.25	3.45	—	dB
Gain (70k)	G <sub>V</sub> (70k)	—	f = 70kHz, OSC1 = 460mV <sub>rms</sub>	—	- 31.0	- 12.7	dB
Gain (UK)	G <sub>V</sub> (UK)	—	SW <sub>4</sub> = b, OSC1 = 230mV <sub>rms</sub>	8.6	10.28	—	dB
Cross Talk	CT	—	SW <sub>2</sub> = b (L-ch→R-ch), SW <sub>1</sub> = b (R-ch→L-ch)	—	- 85.0	- 80.8	dB
High Level Input Voltage (1)	G <sub>V</sub> V <sub>th</sub> (H)	—	—	4.0	—	—	V
Low Level Input Voltage (2)	G <sub>V</sub> V <sub>th</sub> (L)	—	—	—	—	1.0	V
High Level Input Voltage (3)	F / N V <sub>th</sub> (H)	—	—	4.0	—	—	V
Low Level Input Voltage (4)	F / N V <sub>th</sub> (L)	—	—	—	—	1.0	V
High Level Input Voltage (5)	Mu V <sub>th</sub> (H)	—	—	4.0	—	—	V
Low Level Input Voltage (6)	Mu V <sub>th</sub> (L)	—	—	—	—	1.0	V

(\*1) For GAIN SW (pin 22)

(\*2) For FM / NICAM (pin 23)

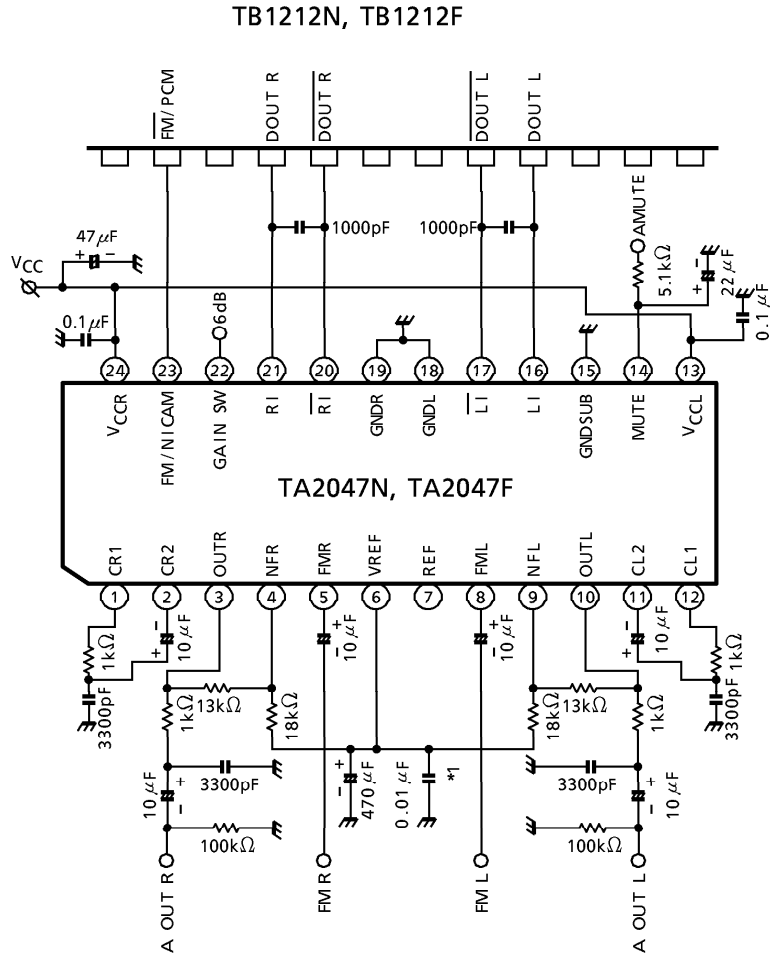
(\*3) For MUTE (pin 14)

TEST CIRCUIT



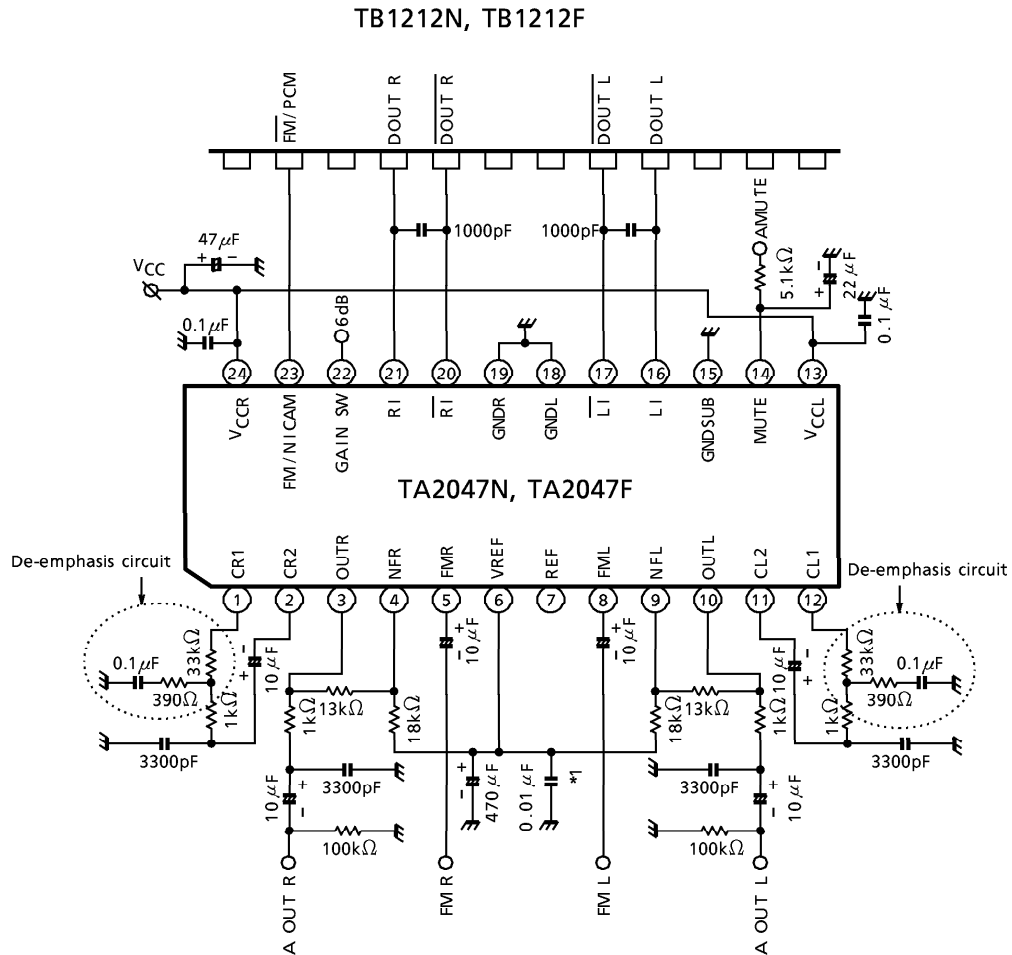
- (Note 1) It is require to connect ceramic or film condenser not to receive temperature characteristics.
- (Note 2) Pin 7 to be open. (Don't connect to GND or V<sub>CC</sub>).
- (Note 3) It is require to other wring GND line of pin 18, 19 and 15.
- (Note 4) C24 connect between pin 6 and 15.

**APPLICATION CIRCUIT 1**  
(Digital De-emphasis  $V_{CC} = 9V$ )



- (Note 1) It is require to connect ceramic or film condenser not to receive temperature characteristics. (\*1)
- (Note 2) Pin 7 to be open. (Don't connect to GND or  $V_{CC}$ )
- (Note 3) It is require to other wring GND line of pin 18, 19 and 15.
- (Note 4) C24 connect between pin 6 and 15.

**APPLICATION CIRCUIT 2**  
(Analog De-emphasis  $V_{CC} = 9V$ )

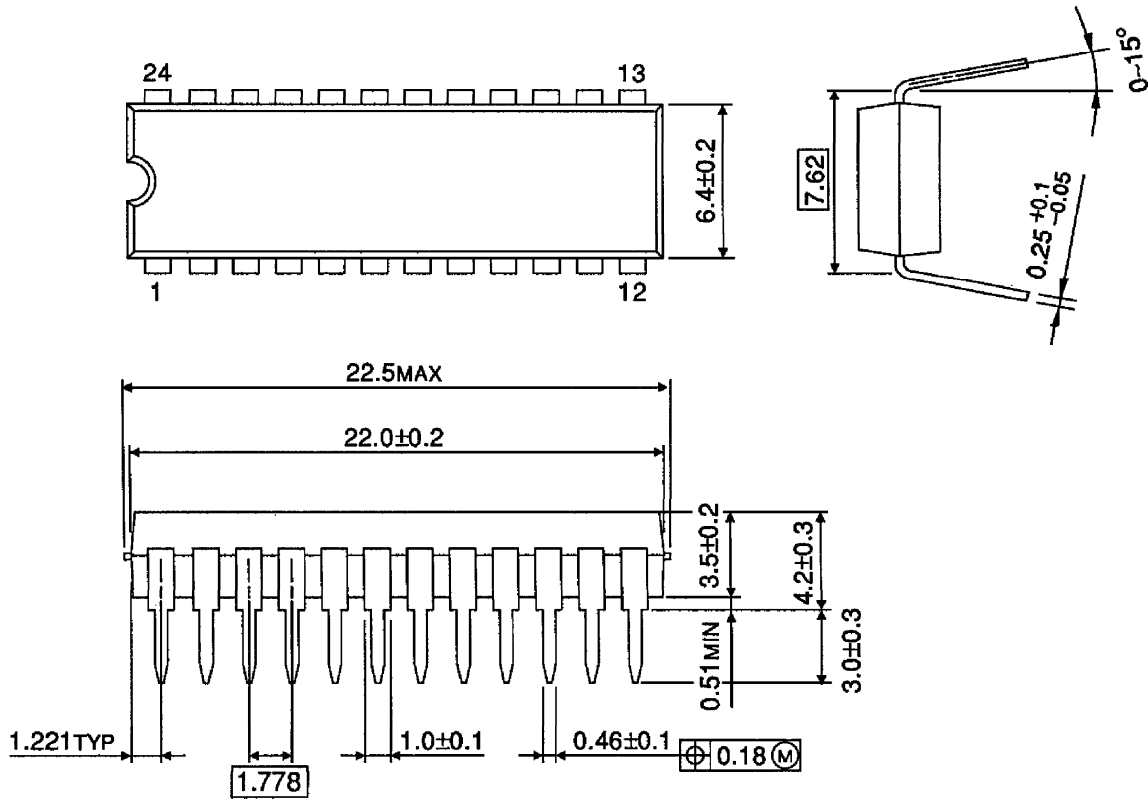


- (Note 1) It is require to connect ceramic or film condenser not to receive temperature characteristics. (\*1)
- (Note 2) Pin 7 to be open. (Don't connect to GND or  $V_{CC}$ )
- (Note 3) It is require to other wring GND line of pin 18, 19 and 15.
- (Note 4) C24 connect between pin 6 and 15.



PACKAGE DIMENSIONS  
SDIP24-P-300-1.78

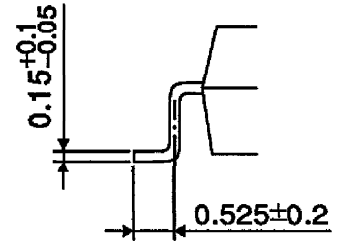
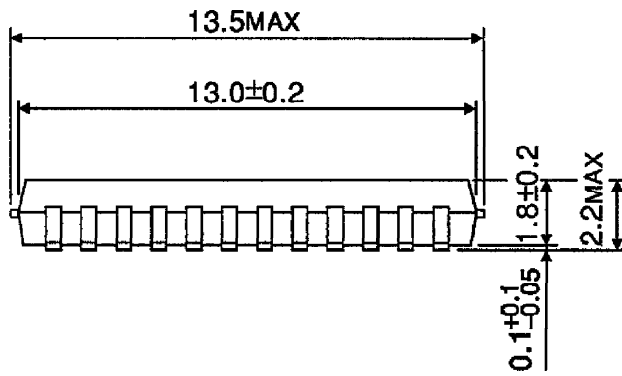
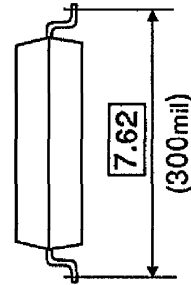
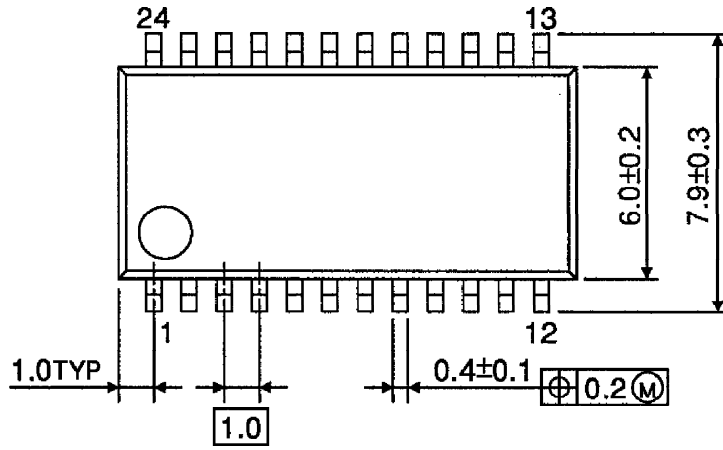
Unit : mm



Weight : 1.22g (Typ.)

**PACKAGE DIMENSIONS**  
SSOP24-P-300-1.00

Unit : mm



Weight : 0.32g (Typ.)

**RESTRICTIONS ON PRODUCT USE**

000707EBA

- TOSHIBA is continually working to improve the quality and reliability of its products. Nevertheless, semiconductor devices in general can malfunction or fail due to their inherent electrical sensitivity and vulnerability to physical stress. It is the responsibility of the buyer, when utilizing TOSHIBA products, to comply with the standards of safety in making a safe design for the entire system, and to avoid situations in which a malfunction or failure of such TOSHIBA products could cause loss of human life, bodily injury or damage to property. In developing your designs, please ensure that TOSHIBA products are used within specified operating ranges as set forth in the most recent TOSHIBA products specifications. Also, please keep in mind the precautions and conditions set forth in the "Handling Guide for Semiconductor Devices," or "TOSHIBA Semiconductor Reliability Handbook" etc..
- The TOSHIBA products listed in this document are intended for usage in general electronics applications (computer, personal equipment, office equipment, measuring equipment, industrial robotics, domestic appliances, etc.). These TOSHIBA products are neither intended nor warranted for usage in equipment that requires extraordinarily high quality and/or reliability or a malfunction or failure of which may cause loss of human life or bodily injury ("Unintended Usage"). Unintended Usage include atomic energy control instruments, airplane or spaceship instruments, transportation instruments, traffic signal instruments, combustion control instruments, medical instruments, all types of safety devices, etc.. Unintended Usage of TOSHIBA products listed in this document shall be made at the customer's own risk.
- The products described in this document are subject to the foreign exchange and foreign trade laws.
- The information contained herein is presented only as a guide for the applications of our products. No responsibility is assumed by TOSHIBA CORPORATION for any infringements of intellectual property or other rights of the third parties which may result from its use. No license is granted by implication or otherwise under any intellectual property or other rights of TOSHIBA CORPORATION or others.
- The information contained herein is subject to change without notice.