

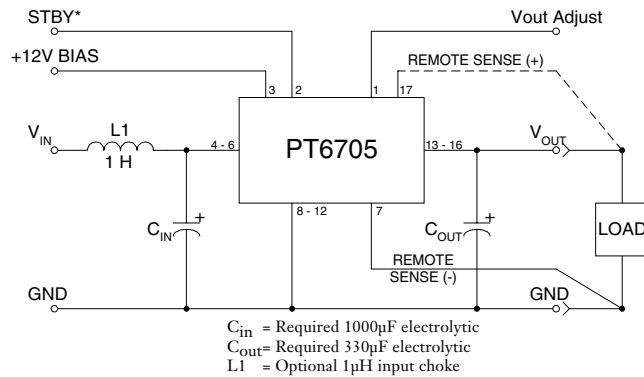
- +3.3V/5V input (+12V Bias)
- Adjustable Output Voltage
- 90% Efficiency
- Differential Remote Sense
- 17-pin Space-Saving Package
- Solderable Copper Case
- Short Circuit Protection

The PT6705 is a series of low-cost, high-performance, 13 Amp Integrated Switching Regulators (ISRs) housed in a unique, space-saving 17-pin SIP package. The PT6705 will operate off either a 5V or 3.3V input bus to provide a low-voltage power source for the industry's latest high-speed, low-voltage μ Ps, and bus drivers.

The PT6705 incorporates internal short circuit protection, and requires a +12V/50mA bias input for operation.

Patent pending on package assembly

Standard Application



Pin-Out Information

Pin	Function	Pin	Function
1	V_{out} Adjust	10	GND
2	STBY*	11	GND
3	+12V Bias Input	12	GND
4	V_{in}	13	V_{out}
5	V_{in}	14	V_{out}
6	V_{in}	15	V_{out}
7	Remote Sense Gnd (†)	16	V_{out}
8	GND	17	Remote Sense V_{out}
9	GND		

For STBY* pin
 open = output enabled
 ground = output disabled.

Specifications

Characteristics ($T_a = 25^\circ\text{C}$ unless noted)	Symbols	Conditions	PT6705 SERIES			Units
			Min	Typ	Max	
Output Current	I_o	$T_a = +60^\circ\text{C}$, 200 LFM, pkg N $T_a = +25^\circ\text{C}$, natural convection	0.1 (1) 0.1 (1)	—	13.0 13.0	A
Input Voltage Range	V_{in}	$0.1\text{A} \leq I_o \leq 13\text{A}$	PT6705/6 PT6707/8 4.5 3.1	—	5.5 5.5	V
External Bias Voltage Range	V_b	$0.1\text{A} \leq I_o \leq 13\text{A}$, $-40^\circ\text{C} \leq T_a \leq +85^\circ\text{C}$	11.5	12.0	13.0	V
External Bias Current	I_b	$0.1\text{A} \leq I_o \leq 13\text{A}$, $-40^\circ\text{C} \leq T_a \leq +85^\circ\text{C}$	—	—	50	mA
Output Voltage Tolerance	ΔV_o	$V_{in} = +5\text{V}$, $V_b = +12\text{V}$, $I_o = 13\text{A}$ $-40^\circ\text{C} \leq T_a \leq +85^\circ\text{C}$	$V_o - 0.03$	—	$V_o + 0.03$	V
Short-Circuit Threshold	I_{sc}	$V_{in} = +5\text{V}$, $V_b = +12\text{V}$	—	18	30	A
Line Regulation	Reg_{line}	$4.5\text{V} \leq V_{in} \leq 5.5\text{V}$, $V_b = +12\text{V}$, $I_o = 13\text{A}$	—	± 5	—	mV
Load Regulation	Reg_{load}	$V_{in} = +5\text{V}$, $V_b = +12\text{V}$, $0.1 \leq I_o \leq 13\text{A}$	—	± 10	—	mV
V_o Ripple/Noise	V_n	$V_{in} = +5\text{V}$, $V_b = +12\text{V}$, $I_o = 13\text{A}$	—	35	—	mV
Transient Response with $C_{out} = 330\mu\text{F}$	t_{tr} V_{os}	I_o step between 6.5A and 13A V_o over/undershoot	—	50 100	—	μSec mV
Efficiency	η	$V_{in} = +5\text{V}$, $I_o = 9\text{A}$, $V_b = +12\text{V}$	$V_o = 3.3\text{V}$ $V_o = 2.5\text{V}$ $V_o = 1.8\text{V}$ $V_o = 1.5\text{V}$	— 91 88 85 83	—	%
Switching Frequency	f_o	$4.5\text{V} \leq V_{in} \leq 5.5\text{V}$, $V_b = +12\text{V}$ $0.1\text{A} \leq I_o \leq 13\text{A}$	300	350	400	kHz
Absolute Maximum Operating Temperature Range	T_a	Over V_{in} Range	-40 (2)	—	+85 (3)	$^\circ\text{C}$
Storage Temperature	T_s	—	-40	—	+125	$^\circ\text{C}$
Mechanical Shock		Per Mil-STD-883D, Method 2002.3 1msec, Half sine, mounted to a fixture	—	500	—	G
Mechanical Vibration		Per Mil-STD-883D, Method 2007.2, 20-2000 Hz, Soldered in a PC board	—	15	—	G
Weight	—	—	—	26	—	grams

- Notes:** (1) The ISR will operate down to no load with reduced specifications.
 (2) For operation below 0°C , C_{in} and C_{out} must have stable characteristics. Use either low ESR tantalum or Oscon[®] capacitors.
 (3) See Safe Operating Area curves, or contact the factory for appropriate derating.
 (4) If the remote sense ground is not used, pin 7 must be connected to pin 8 for optimum output voltage accuracy.

PT6705 Series

13 Amp 5V/3.3V Input Adjustable Integrated Switching Regulator

Ordering Information

PT6705□ = 3.3 Volts
 PT6706□ = 2.5 Volts
 PT6707□ = 1.8 Volts
 PT6708□ = 1.5 Volts

PT Series Suffix (PT1234X)

Case/Pin Configuration	
Vertical Through-Hole	N
Horizontal Through-Hole	A
Horizontal Surface Mount	C

(For dimensions and PC board layout, see Package Styles 1340 and 1350.)

PT6700 Product Family

	Input Voltage	Vout Adjust	OVP/Pwr Good	Requires +12V Bias
PT6701	5V	VID	✓	
PT6702	3.3V	VID	✓	
PT6705	5V	Resistor		✓
PT6715	5V	Resistor		
PT6721	12V	VID	✓	
PT6725	12V	Resistor		

Filter/Capacitor Selection

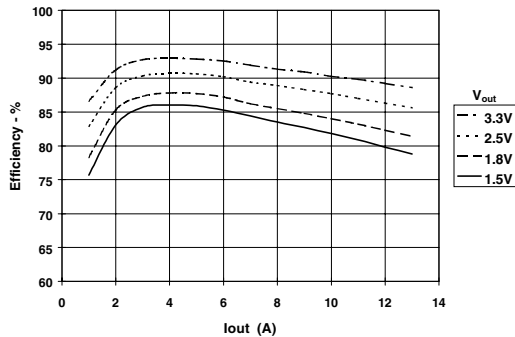
Output Capacitors: The PT6705 requires a minimum output capacitance of 330µF for proper operation. The maximum allowable output capacitance is 15,000µF.

Input Filter: An input filter is optional for most applications. The input inductor must be sized to handle 10ADC with a typical value of 1µH. The input capacitance must be rated for a minimum of 2.0Arms of ripple current. For transient or dynamic load applications, additional capacitance may be required.

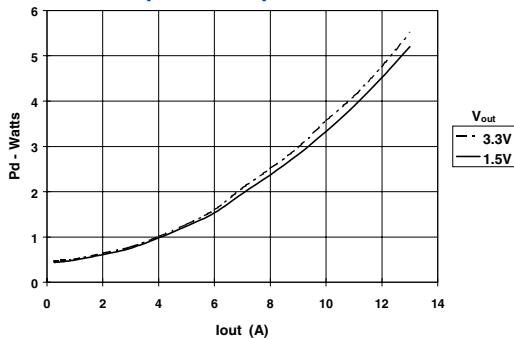
TYPICAL CHARACTERISTICS

All Models, $V_{in} = 5.0V$ (Note A)

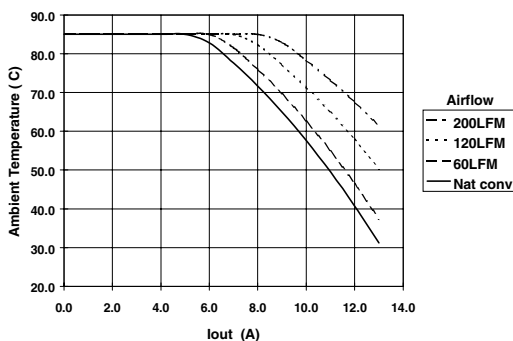
Efficiency vs Output Current



Power Dissipation vs Output Current

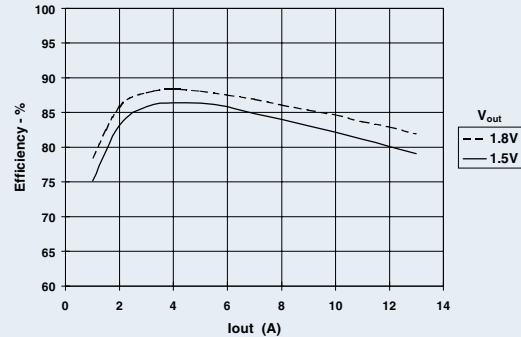


Safe Operating Area, PT6705, $V_{in} = 5.0V$ (Note B)

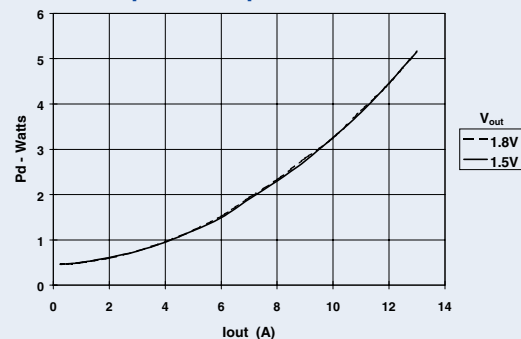


PT6707, PT6708, $V_{in} = 3.3V$ (Note A)

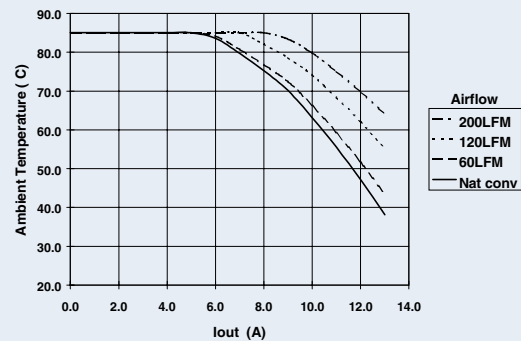
Efficiency vs Output Current



Power Dissipation vs Output Current



Safe Operating Area, PT6707, $V_{in} = 3.3V$ (Note B)



Note A: All data in the above graphs has been developed from actual products tested at 25°C. This data is considered typical for the ISR.

Note B: SOA curves represent the conditions at which internal components are at or below the manufacturer's maximum operating temperatures.

Adjusting the Output Voltage of the PT6705 and PT6715 Excalibur™ Converters

Both the PT6705 and PT6715 series ISRs are non-programmable versions of the PT6700 Excalibur™ family of converters. These regulators have a fixed output voltage, which may be adjusted higher or lower than the factory trimmed pre-set voltage using a single external resistor. Table 1 gives the allowable adjustment range for each model as V_a (min) and V_a (max).

Adjust Up: An increase in the output voltage is obtained by adding a resistor R2, between pin 1 (V_o adjust) and pin 7 (–Remote Sense).

Adjust Down: Add a resistor (R1), between pin 1 (V_o adjust) and pin 17 (+Remote Sense).

Refer to Figure 1 and Table 2 for both the placement and value of the required resistor, either (R1) or R2 as appropriate.

Notes:

1. Use only a single 1% resistor in either the (R1) or R2 location. Place the resistor as close to the ISR as possible.
2. Never connect capacitors from V_o adjust to either GND, V_{out} , or the Remote Sense pins. Any capacitance added to the V_o adjust pin will affect the stability of the ISR.
3. If the Remote Sense feature is not being used, pin 7 must be connected to pin 8 for optimum output voltage accuracy. Correspondingly the resistors (R1) and R2 may be then be connected from V_o Adjust to either V_{out} or GND respectively.
4. The PT6705 series requires a 12V external bias voltage in order to operate (see data sheet). An external bias voltage is not required for the PT6715 series.
5. Adjusting the output voltage of the PT6705 and PT6715 (3.3V models) higher than the factory pre-trimmed output voltage may require an increase in the minimum input voltage. These two models must comply with the following requirements for V_{in} (min).

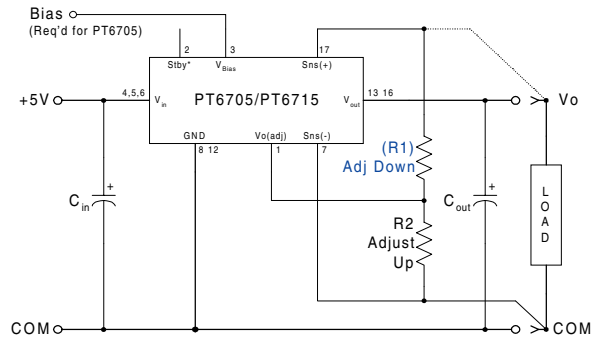
PT670x models:

$$V_{in}(\min) = (V_a + 1)V$$

PT671x models:

$$V_{in}(\min) = (V_a + 1)V \text{ or } 4.5V, \text{ whichever is greater.}$$

Figure 1



The values of (R1) [adjust down], and R2 [adjust up], can also be calculated using the following formulas.

$$(R1) = \frac{10 \cdot (V_a - 1.27)}{(V_o - V_a)} - R_s \quad k\Omega$$

$$R2 = \frac{12.7}{V_a - V_o} - R_s \quad k\Omega$$

Where: V_o = Original output voltage
 V_a = Adjusted output voltage
 R_s = Series resistance value from Table 1

Table 1

PT6705/PT6715 SERIES ADJUSTMENT PARAMETERS

Series Pt #	PT6708	PT6707	PT6706	PT6705
12V Bias (4)	PT6718	PT6717	PT6716	PT6715
V_o (nom)	1.5	1.8	2.5	3.3
V_a (min)	1.47	1.75	2.25	2.75
V_a (max)	1.73	2.0	2.85	3.75
R_s (kΩ)	49.9	49.9	33.2	24.9

PT6705/6715 Series

Table 2

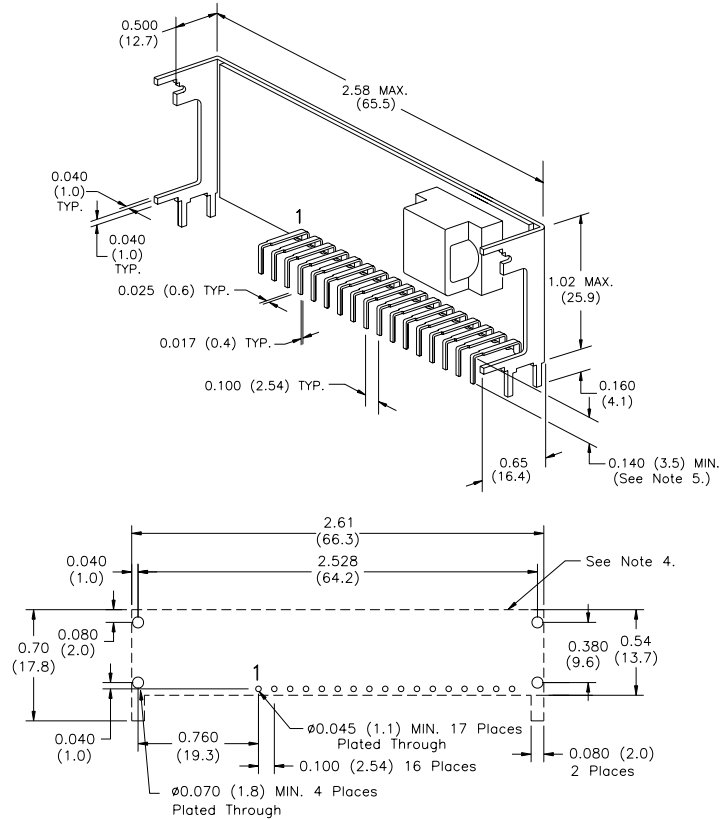
PT6705/PT6715 SERIES ADJUSTMENT RESISTOR VALUES

Series Pt #	PT6708	PT6707	PT6706	PT6705
12V Bias ⁴	PT6718	PT6717	PT6716	PT6715
No Bias	1.5	1.8	2.5	3.3
V _o (nom)				
V _a (req'd)				
1.47	(16.8)kΩ			
1.5				
1.55	204.0kΩ			
1.6	77.1kΩ			
1.65	34.8kΩ			
1.7	13.6kΩ			
1.75		(46.1)kΩ		
1.8				
1.85		204.0kΩ		
1.9		77.1kΩ		
1.95		34.8kΩ		
2.0		13.6kΩ		
2.05				
2.1				
2.15				
2.2				
2.25			(6.0)kΩ	
2.3			(18.3)kΩ	
2.35			(38.8)kΩ	
2.4			(79.8)kΩ	
2.45			(203.0)kΩ	
2.5				
2.55			221.0kΩ	
2.6			93.8kΩ	
2.65			51.5kΩ	
2.7			30.3kΩ	
2.75			17.6kΩ	(2.0)kΩ
2.8			9.1kΩ	(5.7)kΩ
2.85			3.1kΩ	(10.2)kΩ
2.9				(15.9)kΩ
2.95				(23.1)kΩ
3.0				(32.8)kΩ
3.05				(46.3)kΩ
3.1				(66.6)kΩ
3.15				(100.0)kΩ
3.2				(168.0)kΩ
3.25				(371.0)kΩ
3.3				
3.35				229.0kΩ
3.4				102.0kΩ
3.45				59.8kΩ
3.5				38.6kΩ
3.55		Requires V _{in} > 4.5Vdc ⁵		25.9kΩ
3.6				17.4kΩ
3.65				11.4kΩ
3.7				6.9kΩ
3.75				3.3kΩ

R1 = (Blue) R2 = Black

PACKAGE INFORMATION AND DIMENSIONS

Vertical Through-Hole Mount (Suffix N)



PC Layout

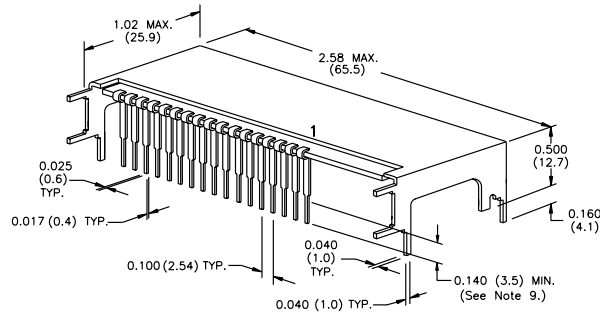
Notes: (Rev. E)

- 1: All dimensions are in inches (mm).
- 2: 2 place decimals are ± 0.030 ($\pm 0.8\text{mm}$).
- 3: 3 place decimals are ± 0.010 ($\pm 0.3\text{mm}$).
- 4: Recommended mechanical keep out area (dotted line).
- 5: Electrical pin length mounted on printed circuit board seating plane to pin end.

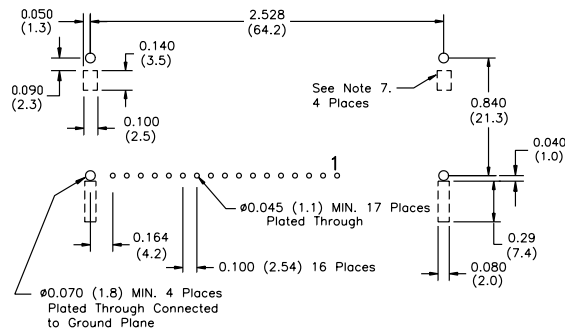
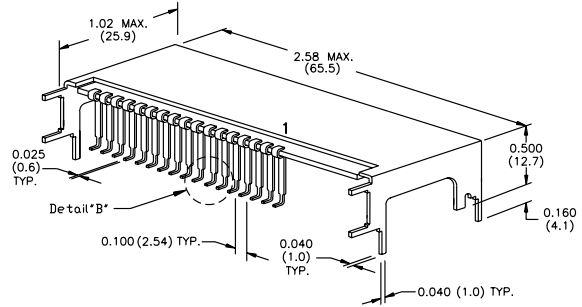
Power Trends proprietary package design.
All rights reserved. Patent pending.

PACKAGE INFORMATION AND DIMENSIONS

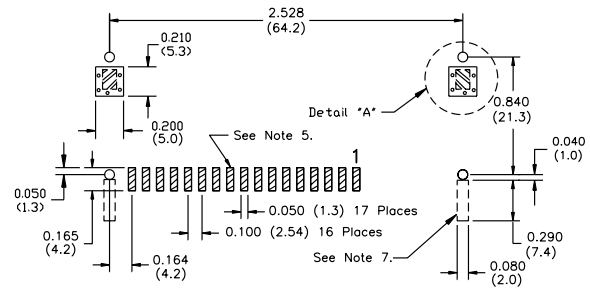
Horizontal Through-Hole Mount (Suffix A)



Horizontal Surface Mount (Suffix C)



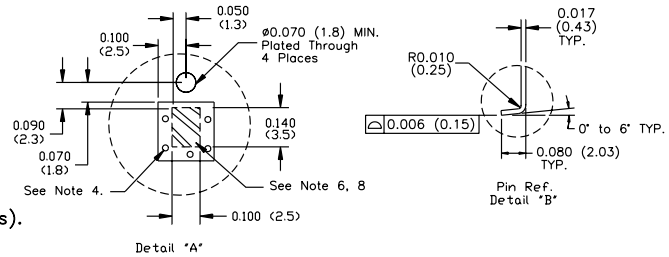
PC Layout



PC Layout

Notes: (Rev. E)

- 1: All dimensions are in inches (mm).
- 2: 2 place decimals are ± 0.030 ($\pm 0.8\text{mm}$)
- 3: 3 place decimals are ± 0.010 ($\pm 0.3\text{mm}$).
- 4: Vias are recommended to improve copper adhesion.
- 5: Power pin connections should utilize two or more vias per input, ground and output pin.
- 6: Solder mask openings to copper island for solder joints to mechanical pins.
- 7: Recommended mechanical keep out area (dotted lines).
- 8: Electrically connect case to ground plane.
- 9: Electrical pin length (Horizontal Through-Hole) mounted on printed circuit board seating plane to pin end.



Power Trends proprietary package design.
All rights reserved. Patent pending.

IMPORTANT NOTICE

Texas Instruments Incorporated and its subsidiaries (TI) reserve the right to make corrections, modifications, enhancements, improvements, and other changes to its products and services at any time and to discontinue any product or service without notice. Customers should obtain the latest relevant information before placing orders and should verify that such information is current and complete. All products are sold subject to TI's terms and conditions of sale supplied at the time of order acknowledgment.

TI warrants performance of its hardware products to the specifications applicable at the time of sale in accordance with TI's standard warranty. Testing and other quality control techniques are used to the extent TI deems necessary to support this warranty. Except where mandated by government requirements, testing of all parameters of each product is not necessarily performed.

TI assumes no liability for applications assistance or customer product design. Customers are responsible for their products and applications using TI components. To minimize the risks associated with customer products and applications, customers should provide adequate design and operating safeguards.

TI does not warrant or represent that any license, either express or implied, is granted under any TI patent right, copyright, mask work right, or other TI intellectual property right relating to any combination, machine, or process in which TI products or services are used. Information published by TI regarding third-party products or services does not constitute a license from TI to use such products or services or a warranty or endorsement thereof. Use of such information may require a license from a third party under the patents or other intellectual property of the third party, or a license from TI under the patents or other intellectual property of TI.

Reproduction of TI information in TI data books or data sheets is permissible only if reproduction is without alteration and is accompanied by all associated warranties, conditions, limitations, and notices. Reproduction of this information with alteration is an unfair and deceptive business practice. TI is not responsible or liable for such altered documentation. Information of third parties may be subject to additional restrictions.

Resale of TI products or services with statements different from or beyond the parameters stated by TI for that product or service voids all express and any implied warranties for the associated TI product or service and is an unfair and deceptive business practice. TI is not responsible or liable for any such statements.

TI products are not authorized for use in safety-critical applications (such as life support) where a failure of the TI product would reasonably be expected to cause severe personal injury or death, unless officers of the parties have executed an agreement specifically governing such use. Buyers represent that they have all necessary expertise in the safety and regulatory ramifications of their applications, and acknowledge and agree that they are solely responsible for all legal, regulatory and safety-related requirements concerning their products and any use of TI products in such safety-critical applications, notwithstanding any applications-related information or support that may be provided by TI. Further, Buyers must fully indemnify TI and its representatives against any damages arising out of the use of TI products in such safety-critical applications.

TI products are neither designed nor intended for use in military/aerospace applications or environments unless the TI products are specifically designated by TI as military-grade or "enhanced plastic." Only products designated by TI as military-grade meet military specifications. Buyers acknowledge and agree that any such use of TI products which TI has not designated as military-grade is solely at the Buyer's risk, and that they are solely responsible for compliance with all legal and regulatory requirements in connection with such use.

TI products are neither designed nor intended for use in automotive applications or environments unless the specific TI products are designated by TI as compliant with ISO/TS 16949 requirements. Buyers acknowledge and agree that, if they use any non-designated products in automotive applications, TI will not be responsible for any failure to meet such requirements.

Following are URLs where you can obtain information on other Texas Instruments products and application solutions:

Products

Amplifiers	amplifier.ti.com
Data Converters	dataconverter.ti.com
DLP® Products	www.dlp.com
DSP	dsp.ti.com
Clocks and Timers	www.ti.com/clocks
Interface	interface.ti.com
Logic	logic.ti.com
Power Mgmt	power.ti.com
Microcontrollers	microcontroller.ti.com
RFID	www.ti-rfid.com
RF/IF and ZigBee® Solutions	www.ti.com/lprf

Applications

Audio	www.ti.com/audio
Automotive	www.ti.com/automotive
Broadband	www.ti.com/broadband
Digital Control	www.ti.com/digitalcontrol
Medical	www.ti.com/medical
Military	www.ti.com/military
Optical Networking	www.ti.com/opticalnetwork
Security	www.ti.com/security
Telephony	www.ti.com/telephony
Video & Imaging	www.ti.com/video
Wireless	www.ti.com/wireless

Mailing Address: Texas Instruments, Post Office Box 655303, Dallas, Texas 75265
Copyright © 2009, Texas Instruments Incorporated