



Features

- 5 V Input
- 14 A Output Current
- Low-Profile (8mm)
- DSP Compatible
- >90 % Efficiency
- Adjustable Output Voltage
- On/Off Inhibit
- Pre-Bias Start-up Capability
- Over-Current Protection
- Output Remote Sense
- Optional Output Capacitor
- Small Footprint (0.64 in², Suffix 'N')
- Surface Mount Compatible
- IPC Lead Free 2

Description

The PT6460 Excalibur™ series of integrated switching regulators (ISRs) combines outstanding power density with a comprehensive list of features. They are an ideal choice for applications where board space is a premium and performance cannot be compromised. These modules provide a full 14 A of output current, yet are housed in a low-profile, 12-pin, package that is almost half the size of the previous product generation. The integral copper case construction requires no heatsink, and offers the advantages of solderability and a small footprint (0.64 in² for suffix 'N'). Both through-hole and surface mount pin configurations are available.

The PT6460 series operates from a 5-V input bus and provides a convenient point-of-load power source for the industry's latest high-performance DSPs and microprocessors. The series includes output voltage options as low as 1.0 VDC.

Other features include external output voltage adjustment, on/off inhibit, pre-bias startup, short circuit protection, and an output remote sense.

Ordering Information

| | |
|---------|-------------|
| PT6461□ | = 3.3 Volts |
| PT6462□ | = 2.5 Volts |
| PT6463□ | = 2.0 Volts |
| PT6464□ | = 1.8 Volts |
| PT6465□ | = 1.5 Volts |
| PT6466□ | = 1.2 Volts |
| PT6467□ | = 1.0 Volts |

PT Series Suffix (PT1234 x)

| Case/Pin Configuration | Order Suffix | Package Code |
|------------------------|--------------|--------------|
| Vertical | N | (EPH) |
| Horizontal | A | (EPJ) |
| SMD | C | (EPK) |

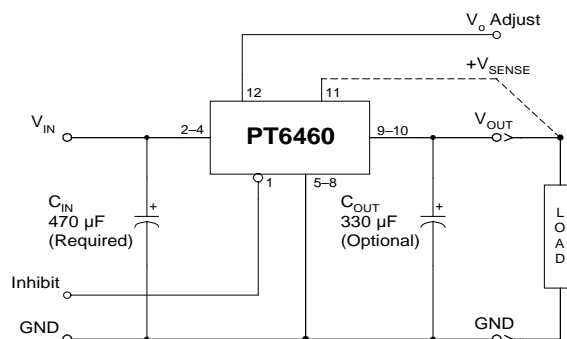
(Reference the applicable package code drawing for the dimensions and PC board layout)

Pin-Out Information

| Pin | Function |
|-----|-----------------------|
| 1 | Inhibit* |
| 2 | V _{in} |
| 3 | V _{in} |
| 4 | V _{in} |
| 5 | GND |
| 6 | GND |
| 7 | GND |
| 8 | GND |
| 9 | V _{out} |
| 10 | V _{out} |
| 11 | (+)Sense |
| 12 | V _o Adjust |

* Denotes negative logic:
Open = Output enabled
Ground = Output disabled

Standard Application



C_{in} = Required 470 µF
C_{out} = Optional 330 µF

Specifications (Unless otherwise stated, $T_a = 25^\circ\text{C}$, $V_{in} = 5\text{ V}$, $C_{in} = 470\ \mu\text{F}$, $C_{out} = 0\ \mu\text{F}$, and $I_o = I_{o,max}$)

| Characteristics | Symbols | Conditions | PT6460 SERIES | | | Units | |
|-----------------------------|-----------------------------|---|-----------------------|--------------|----------|------------------|-----------------|
| | | | Min | Typ | Max | | |
| Output Current | I_o | $V_{in} = 5\text{ V}$ | 0 | — | 14 | A | |
| Input Voltage Range | V_{in} | Over I_o range | 4.5 | — | 5.5 | V | |
| Set-Point Voltage Tolerance | $V_o\text{tol}$ | | — | — | ± 2 | $\%V_o$ | |
| Temperature Variation | ΔReg_{temp} | $-40^\circ\text{C} < T_a < +85^\circ\text{C}$ | — | ± 0.5 | — | $\%V_o$ | |
| Line Regulation | ΔReg_{line} | Over V_{in} range | — | ± 10 | — | mV | |
| Load Regulation | ΔReg_{load} | Over I_o range | — | ± 12 | — | mV | |
| Total Output Variation | ΔReg_{tot} | Includes set-point, line, load, $-40^\circ\text{C} \leq T_a \leq +85^\circ\text{C}$ | — | — | ± 3 | $\%V_o$ | |
| Efficiency | η | $I_o = 10\text{ A}$ | PT6461 (3.3 V) | — | 94 | — | % |
| | | | PT6462 (2.5 V) | — | 93 | — | |
| | | | PT6463 (2.0 V) | — | 91 | — | |
| | | | PT6464 (1.8 V) | — | 90 | — | |
| | | | PT6465 (1.5 V) | — | 88 | — | |
| | | | PT6466 (1.2 V) | — | 86 | — | |
| | | | PT6467 (1.0 V) | — | 84 | — | |
| V_o Ripple (pk-pk) | V_r | 20MHz bandwidth | — | 25 | — | mVpp | |
| Transient Response | t_{tr} ΔV_{tr} | 1 A/ μs load step, 50 to 100 % $I_{o,max}$, $C_{out} = 330\ \mu\text{F}$ | Recovery Time | — | 50 | — | μSec |
| | | | V_o over/undershoot | — | 100 | — | mV |
| Over-Current Threshold | I_{TRIP} | Reset, followed by auto-recovery | — | 27.5 | — | A | |
| Output Voltage Adjust | $V_o\text{adj}$ | | — | ± 15 (1) | — | % | |
| Switching Frequency | f_s | Over V_{in} and I_o ranges | — | 300 | — | kHz | |
| Inhibit Control (pin1) | V_{IH} V_{IL} | Referenced to GND (pins 5–8) | $V_{in} - 0.5$ | — | Open (2) | V | |
| Input High Voltage | | | -0.2 | — | 0.8 | | |
| Input Low Voltage | V_{IL} | | — | — | — | | |
| Input Low Current | I_{IL} | Pin 1 to GND | — | -10 | — | μA | |
| Inhibit Input Current | $I_{in\text{inhibit}}$ | Pin 1 to GND | — | 5 | — | mA | |
| External Input Capacitance | C_{in} | | 470 (3) | — | — | μF | |
| External Output Capacitance | C_{out} | | 0 | 330 (4) (5) | 3,300 | μF | |
| Operating Temperature Range | T_a | Over V_{in} range | -40 (5) | — | 85 (6) | $^\circ\text{C}$ | |
| Solder Reflow Temperature | T_{reflow} | Surface temperature of module pins or case | — | — | 215 (7) | $^\circ\text{C}$ | |
| Storage Temperature | T_s | — | -40 | — | 125 | $^\circ\text{C}$ | |
| Reliability | MTBF | Per Bellcore TR-332 50 % stress, $T_a = 40^\circ\text{C}$, ground benign | 8.0 | — | — | 10^6 Hrs | |
| Mechanical Shock | | Mil-STD-883D, Method 2002.3 Half Sine, mounted to a fixture | — | 500 | — | G | |
| Mechanical Vibration | | Mil-STD-883D, Method 2007.2, 20-2000 Hz, PCB mounted | Suffix N | — | 20 (8) | — | G |
| | | | Suffixes A, C | — | 20 (8) | — | |
| Weight | — | — | — | 10 | — | grams | |
| Flammability | — | Materials meet UL 94V-0 | — | — | — | — | |

- Notes:**
- (1) This is a typical value. For the adjustment limits of a specific model consult the related application note on output voltage adjustment.
 - (2) The Inhibit control (pin 1) has an internal pull-up, and if left open-circuit the module will operate when input power is applied. A small low-leakage (<100 nA) MOSFET is recommended to control this input. See application notes for more information.
 - (3) A 470 μF electrolytic input capacitor is required for proper operation. The capacitor must be rated for a minimum of 0.7 Arms of ripple current.
 - (4) An external output capacitor is not required for basic operation. Adding 330 μF of distributed capacitance at the load will improve the transient response.
 - (5) For operation below 0°C , C_{OUT} should have stable characteristics. Use either low-ESR tantalum or Oscon® type capacitors.
 - (6) See SOA curves or consult factory for the appropriate derating.
 - (7) During solder reflow of SMD package version do not elevate the module case, pins, or internal component temperature above a peak of 215°C . For further guidance refer to the application note, "Reflow Soldering Requirements for Plug-in Power Surface Mount Products," (SLTA051).
 - (8) The case pins on the through-hole package types (suffixes N & A) must be soldered. For more information see the applicable package outline drawing.

Pin Descriptions

V_{IN}: The positive supply voltage input for the module with respect to the common *GND*.

V_{OUT}: This is the regulated output voltage from the module with respect to the common *GND*.

GND: The common node to which the input, output, and external control signals are referenced.

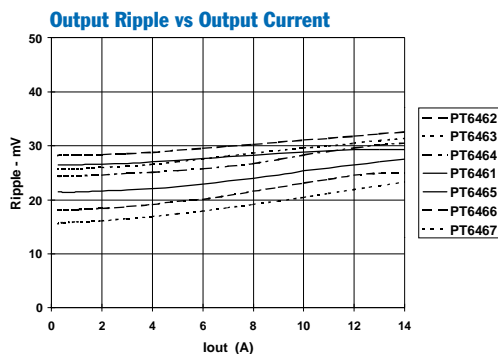
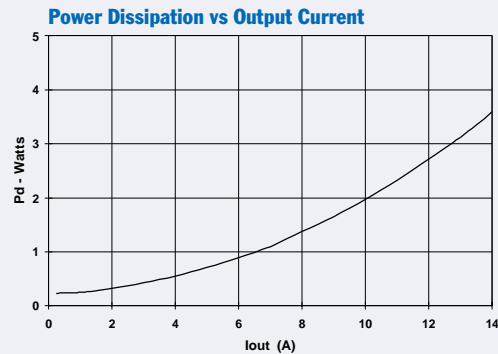
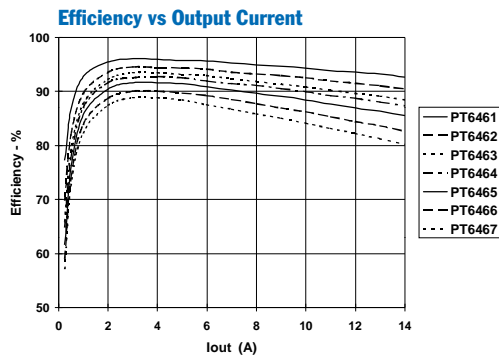
Inhibit*: This is an open-collector (open-drain) negative logic input that is referenced to *GND*. Pulling this pin low disables the module's output voltage. If *Inhibit** is left open-circuit, the output will be active whenever a valid input source is applied.

V_{o Adjust}: This pin is used to trim the output voltage over a typical range of $\pm 15\%$ of nominal. The adjustment method uses an external resistor. The resistor is connected from *V_{o Adjust}* to either the *GND* or (+)*Sense*, in order to adjust the output either up or down, respectively. Consult the related application note for the adjust limits on a specific part.

V_{sense}: An external remote sense input is provided to allow the regulation circuit to compensate for voltage drop between the module and the load. For optimal voltage accuracy *V_{sense}* should be connected to *V_{OUT}*. If desired, *V_{sense}* may also be left open circuit.

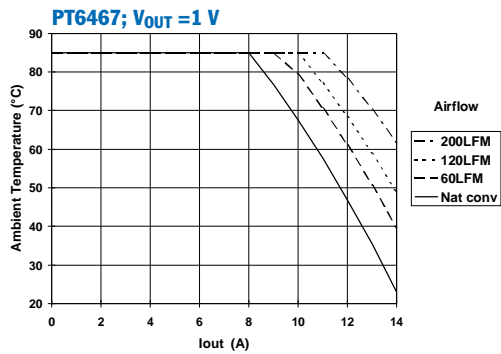
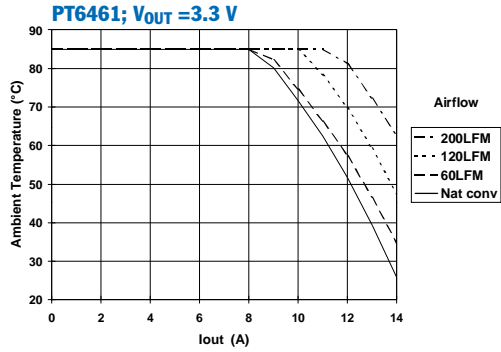
Typical Characteristics

Performance Data; V_{in} = 5.0 V (See Note A)



Note A: Characteristic data has been developed from actual products tested at 25°C. This data is considered typical data for the ISR.

Safe Operating Curve, $V_{in} = 5\text{ V}$ (See Note B)



Note B: SOA curves represent operating conditions at which internal components are at or below manufacturer's maximum rated operating temperatures.

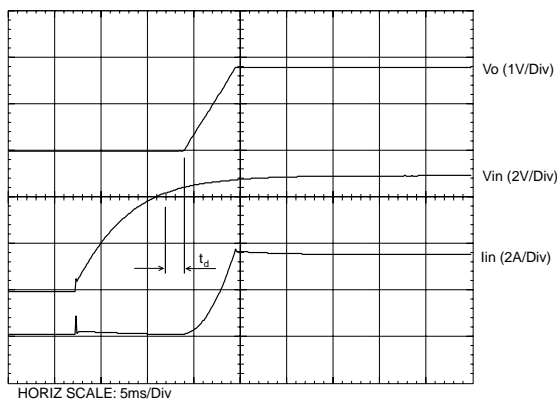
Operating Features and System Considerations for the PT6460 & PT6470 Regulator Series

The PT6460 (5-V input) and the PT6470 (3.3-V input) series of integrated switching regulators (ISRs) provide step-down voltage conversion for output loads of up to 14 A.

Power up & Soft-Start Timing

Following either the application of a valid input source voltage, or the removal of a ground signal to the *Inhibit** control pin (with input power applied), the regulator will initiate a soft-start power up. A soft start slows the rate at which the output voltage rises and introduces a short time delay, t_d (approximately 2 ms), into the power-up sequence. Figure 1-1 shows the power-up characteristic of a PT6464 (5-V input, 1.8-V output) with a 8.5-A load.

Figure 1-1



Over-Current Protection

To protect against load faults, these ISRs incorporate output over-current protection. Applying a load that exceeds the over-current threshold (see data sheet specifications) will cause the regulated output to shut down. Following shutdown the ISR will periodically attempt to recover by initiating a soft-start power-up. This is often described as a “hiccup” mode of operation, whereby the module continues in a cycle of successive shutdown and power up until the load fault is removed. During this period, the average current flowing into the fault is significantly reduced. Once the fault is removed, the converter automatically recovers and returns to normal operation.

Output Remote Sense

The (+)Sense pin allows the regulator to compensate for limited amounts of ‘IR’ voltage drop in the positive output connection resistance. This is the voltage drop incurred in the PCB trace between V_{out} (pins 9 & 10) of the regulator and the load some distance away. Connecting (+)Sense to the positive load terminal improves the voltage regulation at the load, particularly when the load current fluctuates. Although not recommended, leaving (+)Sense disconnected will not damage the regulator or the load circuitry. An internal 10 Ω resistor, connected between the sense pin and the output, keeps the output voltage in regulation.

With the sense pin connected, the difference between the voltage measured between V_{out} and GND at the regulator, and that measured from (+)Sense to GND, is the amount of IR drop being compensated by the regulator. This should be limited to 0.3 V maximum.

Note: The remote sense feature is not designed to compensate for the forward drop of non-linear or frequency dependent components that may be placed in series with the converter output. Examples include OR-ing diodes, filter inductors, ferrite beads, and fuses. When these components are enclosed by the remote sense connections they are effectively placed inside the regulation control loop, which can adversely affect the stability of the regulator.

Pre-Bias Startup

In complex digital systems an external voltage can sometimes be present at the output of the regulator during power up. For example, this voltage may be backfed through a dual-supply logic component such as an FPGA or ASIC. Another path might be via a clamp diode (to a lower supply voltage) as part of a power-up sequencing implementation.

Although the PT6460 (5-V input) and PT6470 (3.3-V input) series of regulators will sink current under steady-state conditions, they will not do so during startup. This feature allows these regulators to start up while an external voltage is simultaneously applied to the output. To facilitate this feature the input voltage must always be greater than or equal to the output voltage throughout the power-up and power-down sequence. Startup includes both the application of a valid input source voltage, or the removal of a ground signal from the *Inhibit** control (pin 1) with a valid input source applied. The output of the regulator is also effectively off (tri-state), during the period that the *Inhibit** control is held low.

Note: If the pre-bias is greater than the nominal regulation voltage, the module will begin sinking current at the end of its soft-start power-up sequence. This could overstress the regulator if the current exceeds its rated output.

Capacitor Recommendations for the PT6460 & PT6470 Regulator Series

Input Capacitor:

The recommended input capacitor is determined by a minimum of 470 μF capacitance and 700 mA minimum ripple current rating.

Ripple current and $<100\ \text{m}\Omega$ equivalent series resistance (ESR) values are the major considerations, along with temperature, when designing with different types of capacitors. Tantalum capacitors have a recommended minimum voltage rating of $2\times$ (maximum DC voltage + AC ripple). This is necessary to insure reliability for input voltage bus applications.

Output Capacitors (Optional):

The ESR of the capacitors should be less than $150\ \text{m}\Omega$. Electrolytic capacitors have marginal ripple performance at frequencies greater than 400 kHz but excellent low frequency transient response. Above the ripple frequency, ceramic capacitors are necessary to improve the transient response and reduce any high frequency noise components apparent during higher current excursions. Preferred low ESR type capacitor part numbers are identified in Table 2-1.

Tantalum Capacitors(Optional Output Capacitors)

Tantalum type capacitors can be used for the output but only the AVX TPS, Sprague 593D/594/595, or Kemet T495/T510 series. These capacitors are recommended over many other tantalum types due to their higher rated surge, power dissipation, and ripple current capability. As a caution the TAJ series by AVX is not recommended. This series has considerably higher ESR, reduced power dissipation, and lower ripple current capability. The TAJ series is less reliable than the AVX TPS series when determining power dissipation capability. Tantalum or Oscon® types are recommended for applications where ambient temperatures fall below $0\ ^\circ\text{C}$.

Capacitor Table

Table 2-1 identifies the characteristics of capacitors from a number of vendors with acceptable ESR and ripple current (rms) ratings. The number of capacitors required at both the input and output buses is identified for each capacitor type.

This is not an extensive capacitor list. Capacitors from other vendors are available with comparable specifications. Those listed are for guidance. The RMS ripple current rating and ESR (at 100kHz) are critical parameters necessary to insure both optimum regulator performance and long capacitor life.

Table 2-1: Input/Output Capacitors

| Capacitor Vendor/ Series | Capacitor Characteristics | | | | | Quantity | | Vendor Part Number |
|--|---------------------------|------------------------|------------------------------------|---|--------------------|-----------|------------|--|
| | Working Voltage | Value(μF) | (ESR) Equivalent Series Resistance | Maximum Ripple Current @105°C (I _{rms}) | Physical Size (mm) | Input Bus | Output Bus | |
| Panasonic FC (Radial) | 16 V | 470 | 0.09 Ω | 755 mA | 10x12.5 | 1 | 1 | EEUFC1C471 EEUFC1A561 |
| | 10 V | 560 | 0.09 Ω | 755 mA | 10x12.5 | 1 | 1 | |
| FK (SMT) | 25 V | 470 | 0.08 Ω | 850 mA | 10x10.2 | 1 | 1 | EEVFK1E471P EEVFK1V471Q |
| | 35 V | 470 | 0.06 Ω | 1100 mA | 12.5x13.5 | 1 | 1 | |
| United Chemi-con LXZ/LXV FX | 16 V | 470 | 0.090 Ω | 760 mA | 10x12.5 | 1 | 1 | LXZ16VB471M10X12LL LXZ10VB681M10X12LL 10FX680M |
| | 10 V | 680 | 0.090 Ω | 770 mA | 10x12.5 | 1 | 1 | |
| | 10 V | 680 | 0.015 Ω | 4735 mA | 10x10.5 | 1 | 1 | |
| Nichicon PL/PM NX Series (SMT) | 16 V | 330 | 0.12+2=0.06 Ω | 745 mA | 10x12.5 | 2 | 1 | UPM1C331MPH6 UPM1C 471MPH6 |
| | 16 V | 470 | 0.09 Ω | 770 mA | 10x15 | 1 | 1 | |
| Sanyo-Os-con SP SVP (SMT) | 10 V | 470 | 0.015 Ω | >4500 mA | 10x10.5 | 1 | 1 | 10SP470M 10SVP560M |
| | 10 V | 560 | 0.013 Ω | >5200 mA | 11x12.7 | 1 | 1 | |
| AVX Tantalum TPS (SMT) | 10 V | 470 | 0.045 Ω | 1723 mA | 7.3Lx5.7W x4.1H | 1 | 1 | TPSE477M010R0045 TPSV477M010R0060 |
| | 10 V | 470 | 0.060 Ω | 1826 mA | 7.3Lx5.7W x4.1H | 1 | 1 | |
| Kemet Polymer Tantalum T520/T530 (SMT) | 10 V | 330 | 0.040 Ω | 1800 mA | 4.3Wx7.3L x4.0H | 2 | 1 | T520X337M010AS T530X337M010AS |
| | 10 V | 330 | 0.015 Ω | >3800 mA | 4.3Wx7.3L x4.0H | 2 | 1 | |
| Sprague Tantalum 594D (SMT) | 10 V | 680 | 0.090 Ω | 1660 mA | 7.2Lx6W x4.1H | 1 | 1 | 595D687X0010R2T |

Adjusting the Output Voltage of the PT6460 & PT6470 ISR Series

The output voltage of the PT6460 (5-V input) and the PT6470 (3.3-V input) series of power modules may be adjusted higher or lower than the pre-set voltage. The adjustment method requires a single external resistor. The value of the resistor can either be calculated using the formulas given below, or simply selected from the range of values given in Table 3-2. Table 3-1 gives the allowable adjustment range for each model as V_a (min) and V_a (max). Refer to Figure 3-1 for the placement of the required resistor. Resistor R_1 adjusts the output voltage up, and the resistor (R_2) adjusts it down.

Adjust Up: An increase in the output voltage is obtained by adding a resistor R_2 , between V_o *Adjust* (pin 12) and *GND* (pin 5).

Adjust Down: Add a resistor (R_1), between V_o *Adjust* (pin 12) and $+V_{sense}$ (pin 11).

Figure 3-1

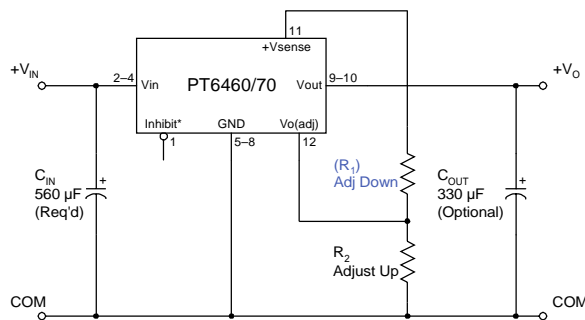


Table 3-1

ISR OUTPUT VOLTAGE ADJUSTMENT RANGE AND FORMULA PARAMETERS

| Series Pt. Nos. | | | | | | | |
|---------------------|--------|--------|--------|--------|--------|--------|--------|
| 5-V Bus: | PT6461 | PT6462 | PT6463 | PT6464 | PT6465 | PT6466 | PT6467 |
| 3.3-V Bus: | N/A | PT6472 | PT6473 | PT6474 | PT6475 | PT6476 | PT6477 |
| V_o (nom) | 3.3 V | 2.5 V | 2.0 V | 1.8 V | 1.5 V | 1.2 V | 1 V |
| V_a (min) | 2.6 V | 2.0 V | 1.66 V | 1.52 V | 1.31 V | 1.1 V | 0.95 V |
| V_a (max) | 3.63 V | 2.8 V* | 2.32 V | 2.1 V | 1.82 V | 1.52 V | 1.32 V |
| R_o (k Ω) | 10.2 | 10.7 | 10.0 | 10.2 | 9.76 | 10.0 | 10.2 |
| R_s (k Ω) | 24.9 | 24.9 | 24.9 | 24.9 | 24.9 | 24.9 | 24.9 |

* The PT6472 may not be adjusted higher than its nominal output voltage of 2.5 V. See note 4

The values of (R_1) [adjust down], and R_2 [adjust up], can be calculated using the following formulas. Refer to Figure 3-1 for the placement of the required resistor; either (R_1) or R_2 as appropriate.

$$(R_1) = \frac{R_o (V_a - 0.8)}{V_o - V_a} - R_s \quad \text{k}\Omega$$

$$R_2 = \frac{0.8 R_o}{V_a - V_o} - R_s \quad \text{k}\Omega$$

Where: V_o = Original output voltage
 V_a = Adjusted output voltage
 R_o = The resistance value from Table 3-1
 R_s = The series resistance from Table 3-1

Notes:

1. Use a 1 % (or better) tolerance resistor in either the (R_1) or R_2 location. Place the resistor as close to the ISR as possible.
2. Never connect capacitors from V_o adj to either *GND* or V_{out} . Any capacitance added to the V_o adjust pin will affect the stability of the ISR.
3. If the remote sense feature is not being used, the adjust resistor (R_1) can also be connected to V_{out} , (pins 9–10) instead of $+V_{sense}$.
4. The PT6472 may not be adjusted higher than the nominal output voltage of 2.5 V. There is insufficient input voltage to allow for any increase in output voltage.

PT6460, PT6470 Series

Table 3-2

ISR ADJUSTMENT RESISTOR VALUES

| Series Pt. Nos. | | | | | | | |
|------------------------|------------|------------|------------------------|------------|------------|-----------|----------|
| 5.0V Bus: | PT6461 | PT6462 | PT6463 | PT6464 | PT6465 | PT6466 | PT6467 |
| 3.3V Bus: | N/A | PT6472 | PT6473 | PT6474 | PT6475 | PT6476 | PT6477 |
| V _o (nom) | 3.3 V | 2.5 V | 2.0 V | 1.8 V | 1.5 V | 1.2 V | 1.0V |
| V _a (req.d) | | | V _a (req.d) | | | | |
| 3.60 | 2.3 kΩ | | 2.300 | 1.8 kΩ | | | |
| 3.55 | 7.7 kΩ | | 2.250 | 7.1 kΩ | | | |
| 3.50 | 15.9 kΩ | | 2.200 | 15.1 kΩ | | | |
| 3.45 | 29.5 kΩ | | 2.150 | 28.4 kΩ | | | |
| 3.40 | 56.7 kΩ | | 2.100 | 55.1 kΩ | 2.3 kΩ | | |
| 3.35 | 138.0 kΩ | | 2.050 | 135.0 kΩ | 7.7 kΩ | | |
| 3.30 | | | 2.000 | 15.9 kΩ | | | |
| 3.25 | (475.0) kΩ | | 1.950 | (205.0) kΩ | 29.5 kΩ | | |
| 3.20 | (220.0) kΩ | | 1.900 | (85.1) kΩ | 56.7 kΩ | | |
| 3.15 | (135.0) kΩ | | 1.850 | (45.1) kΩ | 138.0 kΩ | | |
| 3.10 | (92.4) kΩ | | 1.800 | (25.1) kΩ | | 1.1 kΩ | |
| 3.05 | (66.9) kΩ | | 1.750 | (13.1) kΩ | (169.0) kΩ | 6.3 kΩ | |
| 3.00 | (49.9) kΩ | | 1.700 | (5.1) kΩ | (66.9) kΩ | 14.1 kΩ | |
| 2.95 | (37.5) kΩ | | 1.650 | | (32.9) kΩ | 27.2 kΩ | |
| 2.90 | (28.6) kΩ | | 1.600 | | (15.9) kΩ | 53.2 kΩ | |
| 2.85 | (21.6) kΩ | | 1.550 | | (5.7) kΩ | 131.0 kΩ | |
| 2.80 | (15.9) kΩ | 3.6 kΩ | 1.500 | | | 1.8 kΩ | |
| 2.75 | (11.3) kΩ | 9.3 kΩ | 1.475 | | (239.0) kΩ | 4.2 kΩ | |
| 2.70 | (7.4) kΩ | 17.9 kΩ | 1.450 | | (102.0) kΩ | 7.1 kΩ | |
| 2.65 | (4.1) kΩ | 32.2 kΩ | 1.425 | | (56.4) kΩ | 10.7 kΩ | |
| 2.60 | (1.3) kΩ | 60.7 kΩ | 1.400 | | (33.7) kΩ | 15.1 kΩ | |
| 2.550 | | 146.0 kΩ | 1.375 | | (20.0) kΩ | 20.8 kΩ | |
| 2.500 | | | 1.350 | | (10.9) kΩ | 28.4 kΩ | |
| 2.450 | See note 4 | (328.0) kΩ | 1.325 | | (4.4) kΩ | 39.1 kΩ | |
| 2.400 | | (146.0) kΩ | 1.300 | | | 55.1 kΩ | 2.3 kΩ |
| 2.350 | | (85.7) kΩ | 1.275 | | | 81.8 kΩ | 4.8 kΩ |
| 2.300 | | (55.3) kΩ | 1.250 | | | 135.0 kΩ | 7.7 kΩ |
| 2.250 | | (37.2) kΩ | 1.225 | | | 295.0 kΩ | 11.4 kΩ |
| 2.200 | | (25.0) kΩ | 1.200 | | | | 15.9 kΩ |
| 2.150 | | (16.4) kΩ | 1.175 | | (125.0) kΩ | | 21.7 kΩ |
| 2.100 | | (9.9) kΩ | 1.150 | | (45.1) kΩ | | 29.5 kΩ |
| 2.050 | | (4.8) kΩ | 1.125 | | (18.4) kΩ | | 40.4 kΩ |
| 2.000 | | (0.8) kΩ | 1.100 | | (5.1) kΩ | | 56.7 kΩ |
| | | | 1.075 | | | | 83.9 kΩ |
| | | | 1.050 | | | | 138.0 kΩ |
| | | | 1.025 | | | | 302.0 kΩ |
| | | | 1.000 | | | | |
| | | | 0.975 | | | (46.5) kΩ | |
| | | | 0.950 | | | (5.7) kΩ | |

R₁ = Black R₂ = (Blue)

Using the Inhibit Control of the PT6460 & PT6470 Series of Step-Down ISRs

The PT6460 (5-V input) and the PT6470 (3.3-V input) series of integrated switching regulators (ISRs) provide step-down voltage conversion for output loads of up to 14 A. For applications that require the output voltage to be held off, these ISRs incorporate an *Inhibit** control (pin 1). The *Inhibit** control input can be used for power-up sequencing or whenever there is a requirement for the output voltage from the ISR to be turned off.

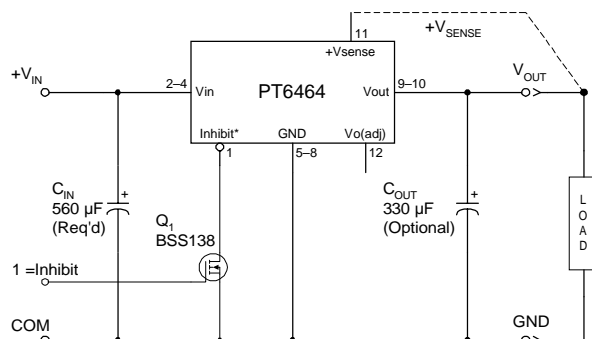
The ISR functions normally with pin 1 open circuit, providing a regulated output whenever a valid source voltage is applied between V_{in} (pins 2–3) and GND (pins 5–8). When a low-level ground signal is applied to pin 1, the regulator output is turned off² and the input current is significantly reduced³.

Figure 4-1 shows the typical application of the *Inhibit** function. Note the discrete transistor, Q_1 . The *Inhibit** control has its own internal pull-up to V_{in} potential. An open-collector or open-drain device is recommended to control this input¹. The voltage thresholds are given in Table 4-1.

Table 4-1; Inhibit Control Requirements

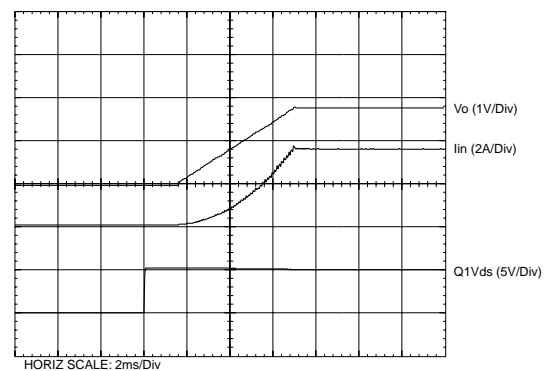
| Parameter | Min | Typ | Max |
|----------------------|------------------|---------|--------|
| Enable (V_{IH}) | $V_{in} - 0.5$ V | — | Open |
| Disable (V_{IL}) | -0.2 V | — | +0.8 V |
| I_{IL} | — | -0.2 mA | — |

Figure 4-1



Turn-On Time: In the circuit of Figure 4-1, turning Q_1 on applies a low-voltage to the *Inhibit** control (pin 1) and disables the output of the regulator². If Q_1 is then turned off, the ISR executes a soft-start power up. Power up consists of a short delay (approx. 2 msec), followed by a period in which the output voltage rises to the full regulation voltage. The module produces a regulated output voltage within 10 msec. Figure 4-2 shows the typical rise in both the output voltage and input current for a PT6464 (1.8 V), following the turn-off of Q_1 . The turn off of Q_1 corresponds to the rise in the waveform, Q_1 V_{ds} . The waveforms were measured with a 5VDC input voltage, and 8.5-A load.

Figure 4-2



Notes:

1. Use an open-collector device with a breakdown voltage of at least 10 V (preferably a discrete transistor) for the *Inhibit** control input. A pull-up resistor is not necessary. To disable the output voltage the control pin should be pulled low to less than +0.8 VDC.
2. When a ground signal is applied to the *Inhibit** control (pin 1) the module output is effectively turned off (tri-state). The output voltage decays to zero as the load impedance discharges the output capacitors.
3. When the output is disabled via the *Inhibit** pin, the input current is reduced to approximately 5 to 10 mA.

PACKAGING INFORMATION

| Orderable Device | Status (1) | Package Type | Package Drawing | Pins | Package Qty | Eco Plan (2) | Lead/Ball Finish | MSL Peak Temp (3) | Samples (Requires Login) |
|------------------|---------------|--------------|-----------------|------|-------------|-----------------|------------------|----------------------|-----------------------------|
| PT6461A | LIFEBUY | SIP MODULE | EPJ | 12 | 21 | Pb-Free (RoHS) | Call TI | N / A for Pkg Type | |
| PT6461C | LIFEBUY | SIP MODULE | EPK | 12 | 21 | Pb-Free (RoHS) | Call TI | Level-3-215C-168HRS | |
| PT6462A | LIFEBUY | SIP MODULE | EPJ | 12 | 21 | Pb-Free (RoHS) | Call TI | N / A for Pkg Type | |
| PT6462C | LIFEBUY | SIP MODULE | EPK | 12 | 21 | Pb-Free (RoHS) | Call TI | Level-3-215C-168HRS | |
| PT6462N | LIFEBUY | SIP MODULE | EPH | 12 | 21 | Pb-Free (RoHS) | Call TI | N / A for Pkg Type | |
| PT6463C | LIFEBUY | SIP MODULE | EPK | 12 | 21 | Pb-Free (RoHS) | Call TI | Level-3-215C-168HRS | |
| PT6464A | LIFEBUY | SIP MODULE | EPJ | 12 | 21 | Pb-Free (RoHS) | Call TI | N / A for Pkg Type | |
| PT6464C | OBSOLETE | SIP MODULE | EPK | 12 | | TBD | Call TI | Call TI | |
| PT6464N | OBSOLETE | SIP MODULE | EPH | 12 | | TBD | Call TI | Call TI | |
| PT6465A | LIFEBUY | SIP MODULE | EPJ | 12 | 21 | Pb-Free (RoHS) | Call TI | N / A for Pkg Type | |
| PT6465C | LIFEBUY | SIP MODULE | EPK | 12 | 21 | Pb-Free (RoHS) | Call TI | Level-3-215C-168HRS | |
| PT6465N | LIFEBUY | SIP MODULE | EPH | 12 | 21 | Pb-Free (RoHS) | Call TI | N / A for Pkg Type | |
| PT6466A | LIFEBUY | SIP MODULE | EPJ | 12 | 21 | Pb-Free (RoHS) | Call TI | N / A for Pkg Type | |
| PT6466C | LIFEBUY | SIP MODULE | EPK | 12 | 21 | Pb-Free (RoHS) | Call TI | Level-3-215C-168HRS | |
| PT6466N | LIFEBUY | SIP MODULE | EPH | 12 | 21 | Pb-Free (RoHS) | Call TI | N / A for Pkg Type | |

⁽¹⁾ The marketing status values are defined as follows:

ACTIVE: Product device recommended for new designs.

LIFEBUY: TI has announced that the device will be discontinued, and a lifetime-buy period is in effect.

NRND: Not recommended for new designs. Device is in production to support existing customers, but TI does not recommend using this part in a new design.

PREVIEW: Device has been announced but is not in production. Samples may or may not be available.

OBSOLETE: TI has discontinued the production of the device.

⁽²⁾ Eco Plan - The planned eco-friendly classification: Pb-Free (RoHS), Pb-Free (RoHS Exempt), or Green (RoHS & no Sb/Br) - please check <http://www.ti.com/productcontent> for the latest availability information and additional product content details.

TBD: The Pb-Free/Green conversion plan has not been defined.

Pb-Free (RoHS): TI's terms "Lead-Free" or "Pb-Free" mean semiconductor products that are compatible with the current RoHS requirements for all 6 substances, including the requirement that lead not exceed 0.1% by weight in homogeneous materials. Where designed to be soldered at high temperatures, TI Pb-Free products are suitable for use in specified lead-free processes.

Pb-Free (RoHS Exempt): This component has a RoHS exemption for either 1) lead-based flip-chip solder bumps used between the die and package, or 2) lead-based die adhesive used between the die and leadframe. The component is otherwise considered Pb-Free (RoHS compatible) as defined above.

Green (RoHS & no Sb/Br): TI defines "Green" to mean Pb-Free (RoHS compatible), and free of Bromine (Br) and Antimony (Sb) based flame retardants (Br or Sb do not exceed 0.1% by weight in homogeneous material)

⁽³⁾ MSL, Peak Temp. -- The Moisture Sensitivity Level rating according to the JEDEC industry standard classifications, and peak solder temperature.

Important Information and Disclaimer:The information provided on this page represents TI's knowledge and belief as of the date that it is provided. TI bases its knowledge and belief on information provided by third parties, and makes no representation or warranty as to the accuracy of such information. Efforts are underway to better integrate information from third parties. TI has taken and continues to take reasonable steps to provide representative and accurate information but may not have conducted destructive testing or chemical analysis on incoming materials and chemicals. TI and TI suppliers consider certain information to be proprietary, and thus CAS numbers and other limited information may not be available for release.

In no event shall TI's liability arising out of such information exceed the total purchase price of the TI part(s) at issue in this document sold by TI to Customer on an annual basis.

IMPORTANT NOTICE

Texas Instruments Incorporated and its subsidiaries (TI) reserve the right to make corrections, enhancements, improvements and other changes to its semiconductor products and services per JESD46, latest issue, and to discontinue any product or service per JESD48, latest issue. Buyers should obtain the latest relevant information before placing orders and should verify that such information is current and complete. All semiconductor products (also referred to herein as "components") are sold subject to TI's terms and conditions of sale supplied at the time of order acknowledgment.

TI warrants performance of its components to the specifications applicable at the time of sale, in accordance with the warranty in TI's terms and conditions of sale of semiconductor products. Testing and other quality control techniques are used to the extent TI deems necessary to support this warranty. Except where mandated by applicable law, testing of all parameters of each component is not necessarily performed.

TI assumes no liability for applications assistance or the design of Buyers' products. Buyers are responsible for their products and applications using TI components. To minimize the risks associated with Buyers' products and applications, Buyers should provide adequate design and operating safeguards.

TI does not warrant or represent that any license, either express or implied, is granted under any patent right, copyright, mask work right, or other intellectual property right relating to any combination, machine, or process in which TI components or services are used. Information published by TI regarding third-party products or services does not constitute a license to use such products or services or a warranty or endorsement thereof. Use of such information may require a license from a third party under the patents or other intellectual property of the third party, or a license from TI under the patents or other intellectual property of TI.

Reproduction of significant portions of TI information in TI data books or data sheets is permissible only if reproduction is without alteration and is accompanied by all associated warranties, conditions, limitations, and notices. TI is not responsible or liable for such altered documentation. Information of third parties may be subject to additional restrictions.

Resale of TI components or services with statements different from or beyond the parameters stated by TI for that component or service voids all express and any implied warranties for the associated TI component or service and is an unfair and deceptive business practice. TI is not responsible or liable for any such statements.

Buyer acknowledges and agrees that it is solely responsible for compliance with all legal, regulatory and safety-related requirements concerning its products, and any use of TI components in its applications, notwithstanding any applications-related information or support that may be provided by TI. Buyer represents and agrees that it has all the necessary expertise to create and implement safeguards which anticipate dangerous consequences of failures, monitor failures and their consequences, lessen the likelihood of failures that might cause harm and take appropriate remedial actions. Buyer will fully indemnify TI and its representatives against any damages arising out of the use of any TI components in safety-critical applications.

In some cases, TI components may be promoted specifically to facilitate safety-related applications. With such components, TI's goal is to help enable customers to design and create their own end-product solutions that meet applicable functional safety standards and requirements. Nonetheless, such components are subject to these terms.

No TI components are authorized for use in FDA Class III (or similar life-critical medical equipment) unless authorized officers of the parties have executed a special agreement specifically governing such use.

Only those TI components which TI has specifically designated as military grade or "enhanced plastic" are designed and intended for use in military/aerospace applications or environments. Buyer acknowledges and agrees that any military or aerospace use of TI components which have **not** been so designated is solely at the Buyer's risk, and that Buyer is solely responsible for compliance with all legal and regulatory requirements in connection with such use.

TI has specifically designated certain components as meeting ISO/TS16949 requirements, mainly for automotive use. In any case of use of non-designated products, TI will not be responsible for any failure to meet ISO/TS16949.

Products

| | |
|------------------------------|--|
| Audio | www.ti.com/audio |
| Amplifiers | amplifier.ti.com |
| Data Converters | dataconverter.ti.com |
| DLP® Products | www.dlp.com |
| DSP | dsp.ti.com |
| Clocks and Timers | www.ti.com/clocks |
| Interface | interface.ti.com |
| Logic | logic.ti.com |
| Power Mgmt | power.ti.com |
| Microcontrollers | microcontroller.ti.com |
| RFID | www.ti-rfid.com |
| OMAP Applications Processors | www.ti.com/omap |
| Wireless Connectivity | www.ti.com/wirelessconnectivity |

Applications

| | |
|-------------------------------|--|
| Automotive and Transportation | www.ti.com/automotive |
| Communications and Telecom | www.ti.com/communications |
| Computers and Peripherals | www.ti.com/computers |
| Consumer Electronics | www.ti.com/consumer-apps |
| Energy and Lighting | www.ti.com/energy |
| Industrial | www.ti.com/industrial |
| Medical | www.ti.com/medical |
| Security | www.ti.com/security |
| Space, Avionics and Defense | www.ti.com/space-avionics-defense |
| Video and Imaging | www.ti.com/video |

TI E2E Community

e2e.ti.com