

## 3.3-V DUAL PLL MULTICLOCK GENERATOR

### FEATURES

- 27-MHz Master Clock Input
- Generated Audio System Clock:
  - SCKO0:  $768 f_S$  ( $f_S = 44.1$  kHz)
  - SCKO1:  $384 f_S$ ,  $768 f_S$  ( $f_S = 44.1$  kHz)
  - SCKO2:  $256 f_S$  ( $f_S = 32, 44.1, 48, 64, 88.2, 96$  kHz)
  - SCKO3:  $384 f_S$  ( $f_S = 32, 44.1, 48, 64, 88.2, 96$  kHz)
- Zero PPM Error Output Clocks
- Low Clock Jitter: 50 ps (Typical)
- Multiple Sampling Frequencies:
  - $f_S = 32, 44.1, 48, 64, 88.2, 96$  kHz
- 3.3-V Single Power Supply
- PLL1705: Parallel Control  
PLL1706: Serial Control
- Package: 20-Pin SSOP (150 mil), Lead-Free Product

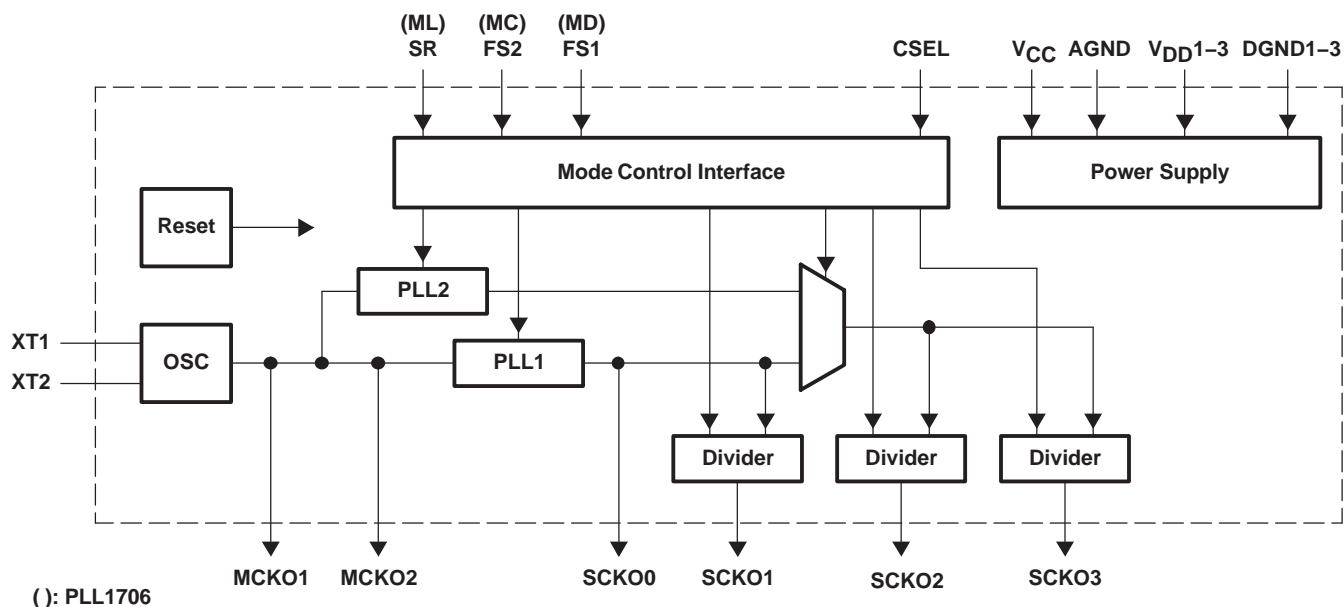
### APPLICATIONS

- DVD Players
- DVD Add-On Cards for Multimedia PCs
- Digital HDTV Systems
- Set-Top Boxes

### DESCRIPTION

The PLL1705† and PLL1706† are low cost, phase-locked loop (PLL) multiclock generators. The PLL1705 and PLL1706 can generate four system clocks from a 27-MHz reference input frequency. The clock outputs of the PLL1705 can be controlled by sampling frequency-control pins and those of the PLL1706 can be controlled through serial-mode control pins. The device gives customers both cost and space savings by eliminating external components and enables customers to achieve the very low-jitter performance needed for high performance audio DACs and/or ADCs. The PLL1705 and PLL1706 are ideal for MPEG-2 applications which use a 27-MHz master clock such as DVD players, DVD add-on cards for multimedia PCs, digital HDTV systems, and set-top boxes.

### FUNCTIONAL BLOCK DIAGRAM



Please be aware that an important notice concerning availability, standard warranty, and use in critical applications of Texas Instruments semiconductor products and disclaimers thereto appears at the end of this data sheet.

†The PLL1705 and PLL1706 use the same die and they are electrically identical except for mode control.



This integrated circuit can be damaged by ESD. Texas Instruments recommends that all integrated circuits be handled with appropriate precautions. Failure to observe proper handling and installation procedures can cause damage.

ESD damage can range from subtle performance degradation to complete device failure. Precision integrated circuits may be more susceptible to damage because very small parametric changes could cause the device not to meet its published specifications.

## PACKAGE/ORDERING INFORMATION

PRODUCT	PACKAGE	PACKAGE CODE	OPERATION TEMPERATURE RANGE	PACKAGE MARKING	ORDERING NUMBER	TRANSPORT MEDIA
PLL1705DBQ	SSOP 20	20DBQ	-25°C to 85°C	PLL1705	PLL1705DBQ	Tube
					PLL1705DBQR	Tape and reel
PLL1706DBQ	SSOP 20	20DBQ	-25°C to 85°C	PLL1706	PLL1706DBQ	Tube
					PLL1706DBQR	Tape and reel

## ABSOLUTE MAXIMUM RATINGS

over operating free-air temperature range unless otherwise noted<sup>(1)</sup>

	PLL1705 AND PLL1706
Supply voltage: $V_{CC}$ , $V_{DD1-3}$	4 V
Supply voltage differences: $V_{CC}$ , $V_{DD1-3}$	$\pm 0.1$ V
Ground voltage differences: AGND, DGND1-3	$\pm 0.1$ V
Digital input voltage: FS1 (MD), FS2 (MC), SR (ML), CSEL	- 0.3 V to ( $V_{DD} + 0.3$ ) V
Analog input voltage, XT1, XT2	- 0.3 V to ( $V_{CC} + 0.3$ ) V
Input current (any pins except supplies)	$\pm 10$ mA
Ambient temperature under bias	-40°C to 125°C
Storage temperature	-55°C to 150°C
Junction temperature	150°C
Lead temperature (soldering)	260°C, 5 s
Package temperature (IR reflow, peak)	260°C

<sup>(1)</sup> Stresses beyond those listed under “absolute maximum ratings” may cause permanent damage to the device. These are stress ratings only, and functional operation of the device at these or any other conditions beyond those indicated under “recommended operating conditions” is not implied. Exposure to absolute-maximum-rated conditions for extended periods may affect device reliability.

## ELECTRICAL CHARACTERISTICS

all specifications at  $T_A = 25^\circ\text{C}$ ,  $V_{DD1}-V_{DD3} (= V_{DD}) = V_{CC} = 3.3\text{ V}$ ,  $f_M = 27\text{ MHz}$ , crystal oscillation,  $f_S = 48\text{ kHz}$  (unless otherwise noted)

PARAMETER		TEST CONDITIONS	MIN	TYP	MAX	UNIT
<b>DIGITAL INPUT/OUTPUT</b>						
Logic input			CMOS compatible			
$V_{IH}^{(1)}$	Input logic level		0.7 $V_{DD}$		3.6	Vdc
$V_{IL}^{(1)}$					0.3 $V_{DD}$	
$I_{IH}^{(1)}$	Input logic current	$V_{IN} = V_{DD}$		65	100	$\mu\text{A}$
$I_{IL}^{(1)}$		$V_{IN} = 0\text{ V}$			$\pm 10$	
Logic output			CMOS			
$V_{OH}^{(2)}$	Output logic level	$I_{OH} = -4\text{ mA}$	$V_{DD} - 0.4\text{ V}$			Vdc
$V_{OL}^{(2)}$		$I_{OL} = 4\text{ mA}$			0.4	Vdc
Sampling frequency		Standard $f_S$	32	44.1	48	kHz
		Double $f_S$	64	88.2	96	
<b>MASTER CLOCK (MCKO1, 2) CHARACTERISTICS</b> ( $f_M = 27\text{ MHz}$ , $C_1 = C_2 = 15\text{ pF}$ , $C_L = 20\text{ pF}$ on measurement pin)						
Master clock frequency			26.73	27	27.27	MHz
$V_{IH}$	Input level(3)		0.7 $V_{CC}$			V
$V_{IL}$					0.3 $V_{CC}$	
$I_{IH}$	Input current(3)	$V_{IN} = V_{CC}$			$\pm 10$	$\mu\text{A}$
$I_{IL}$		$V_{IN} = 0\text{ V}$			$\pm 10$	
Output voltage (4)				3.5		Vp-p
Output rise time		20% to 80% of $V_{DD}$		2.0		ns
Output fall time		80% to 20% of $V_{DD}$		2.0		ns
Duty cycle		For crystal oscillation	45%	48%	55%	
		For external clock		50%		
Clock jitter (5)				50		ps
Power-up time (6)				0.5	1.5	ms
<b>PLL AC CHARACTERISTICS (SCKO0-3)</b> ( $f_M = 27\text{ MHz}$ , $C_L = 20\text{ pF}$ on measurement pin)						
SCKO0	Output system clock frequency	Fixed		33.8688		MHz
SCKO1		Selectable for 44.1 kHz	16.9344		33.8688	
SCKO2		256 $f_S$	8.192	12.288	24.576	
SCKO3		384 $f_S$	12.288	18.432	36.864	
Output rise time		20% to 80% of $V_{DD}$		2.0		ns
Output fall time		80% to 20% of $V_{DD}$		2.0		ns
Output duty cycle			45	50	55	%
Output clock jitter (5)				50	100	ps
Frequency Settling Time(7)		PLL1705, to stated output frequency		50	150	ns
		PLL1706, to stated output frequency		80	200	ns
Power-up time (8)		To stated output frequency		3	6	ms

(1) Pins 5, 6, 7, 12: FS1/MD, FS2/MC, SR/ML, CSEL (Schmitt-trigger input with internal pulldown, 3.3-V tolerant)

(2) Pins 2, 3, 14, 15, 18, 19: SCKO2, SCKO3, MCKO1, MCKO2, SCKO1, SCKO0

(3) Pin 10: XT1

(4) Pin 11: XT2

(5) Jitter performance is specified as standard deviation of jitter for 27-MHz crystal oscillation and default SCKO frequency setting. Jitter performance varies with master clock mode, SCKO frequency setting and load capacitance on each clock output.

(6) The delay time from power on to oscillation

(7) The settling time when the sampling frequency is changed

(8) The delay time from power on to lockup

(9)  $f_M = 27\text{-MHz}$  crystal oscillation, no load on MCKO1, MCKO2, SCKO0, SCKO1, SCKO2, SCKO3. Power supply current varies with sampling frequency selection and load condition.

(10) While all bits of CE[6:1] are 0, the PLL1706 goes into power-down mode.

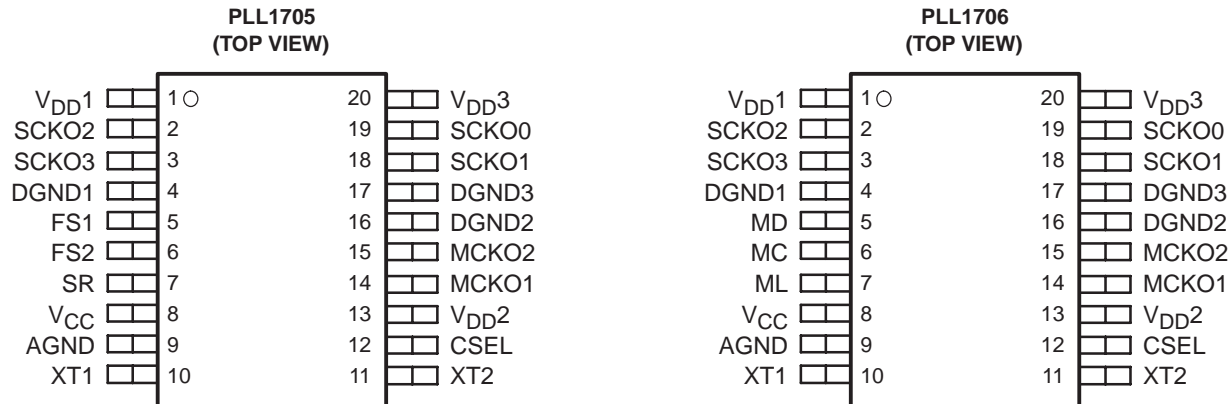
**ELECTRICAL CHARACTERISTICS(continued)**

all specifications at  $T_A = 25^\circ\text{C}$ ,  $V_{DD1}\text{--}V_{DD3} (= V_{DD}) = V_{CC} = 3.3\text{ V}$ ,  $f_M = 27\text{ MHz}$ , crystal oscillation,  $f_S = 48\text{ kHz}$  (unless otherwise noted)

PARAMETER	TEST CONDITIONS	MIN	TYP	MAX	UNIT	
<b>POWER SUPPLY REQUIREMENTS</b>						
$V_{CC}, V_{DD}$	Supply voltage range	2.7	3.3	3.6	Vdc	
$I_{DD} + I_{CC}$	Supply current (9)	$V_{DD} = V_{CC} = 3.3\text{ V}$ , $f_S = 48\text{ kHz}$		19	25	mA
		Power down(10)		320	500	$\mu\text{A}$
Power dissipation		$V_{DD} = V_{CC} = 3.3\text{ V}$ , $f_S = 48\text{ kHz}$		63	90	mW
<b>TEMPERATURE RANGE</b>						
Operating temperature		-25		85	$^\circ\text{C}$	
$\theta_{JA}$	Thermal resistance	PLL1705/6DBQ: 20-pin SSOP (150 mil)		150	$^\circ\text{C/W}$	

- (1) Pins 5, 6, 7, 12: FS1/MD, FS2/MC, SR/ML, CSEL (Schmitt-trigger input with internal pulldown, 3.3-V tolerant)
- (2) Pins 2, 3, 14, 15, 18, 19: SCKO2, SCKO3, MCKO1, MCKO2, SCKO1, SCKO0
- (3) Pin 10: XT1
- (4) Pin 11: XT2
- (5) Jitter performance is specified as standard deviation of jitter for 27-MHz crystal oscillation and default SCKO frequency setting. Jitter performance varies with master clock mode, SCKO frequency setting and load capacitance on each clock output.
- (6) The delay time from power on to oscillation
- (7) The settling time when the sampling frequency is changed
- (8) The delay time from power on to lockup
- (9)  $f_M = 27\text{-MHz}$  crystal oscillation, no load on MCKO1, MCKO2, SCKO0, SCKO1, SCKO2, SCKO3. Power supply current varies with sampling frequency selection and load condition.
- (10) While all bits of CE[6:1] are 0, the PLL1706 goes into power-down mode.

**PIN ASSIGNMENTS**



### Terminal Functions

TERMINAL		I/O	DESCRIPTION
NAME	NO.		
AGND	9	–	Analog ground
CSEL	12	IN	SCKO1 frequency selection control <sup>(1)</sup>
DGND1	4	–	Digital ground 1
DGND2	16	–	Digital ground 2
DGND3	17	–	Digital ground 3
FS1(MD)	5	IN	Sampling frequency group control in PLL1705, data input for serial control in PLL1706 <sup>(1)</sup>
FS2(MC)	6	IN	Sampling frequency group control in PLL1705, bit clock input for serial control in PLL1706 <sup>(1)</sup>
MCKO1	14	OUT	27-MHz master clock output 1
MCKO2	15	OUT	27-MHz master clock output 2
SCKO0	19	OUT	System clock output 0 (33.8688 MHz fixed)
SCKO1	18	OUT	System clock output 1 (selectable for 44.1 kHz)
SCKO2	2	OUT	System clock output 2 (256 f <sub>S</sub> )
SCKO3	3	OUT	System clock output 3 (384 f <sub>S</sub> )
SR(ML)	7	IN	Sampling rate control in PLL1705, load strobe input for serial control in PLL1706 <sup>(1)</sup>
V <sub>CC</sub>	8	–	Analog power supply, 3.3 V
V <sub>DD1</sub>	1	–	Digital power supply 1, 3.3 V
V <sub>DD2</sub>	13	–	Digital power supply 2, 3.3 V
V <sub>DD3</sub>	20	–	Digital power supply 3, 3.3 V
XT1	10	IN	27-MHz crystal oscillator, or external clock input
XT2	11	OUT	27-MHz crystal oscillator, must be OPEN for external clock input mode

<sup>(1)</sup> Schmitt-trigger input with internal pulldown.

TYPICAL PERFORMANCE CURVES

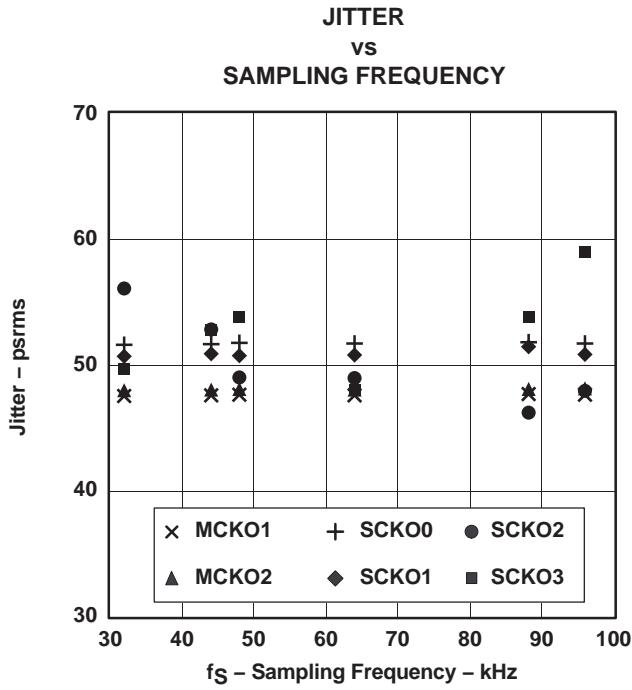


Figure 1

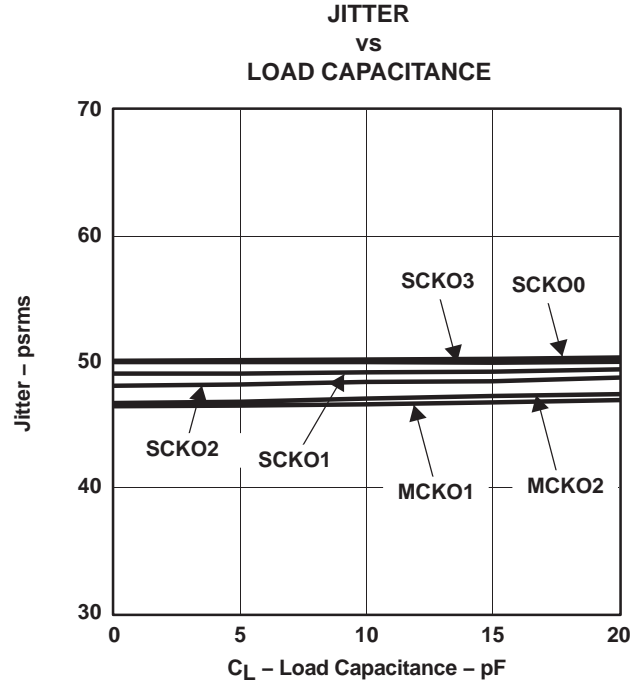


Figure 2

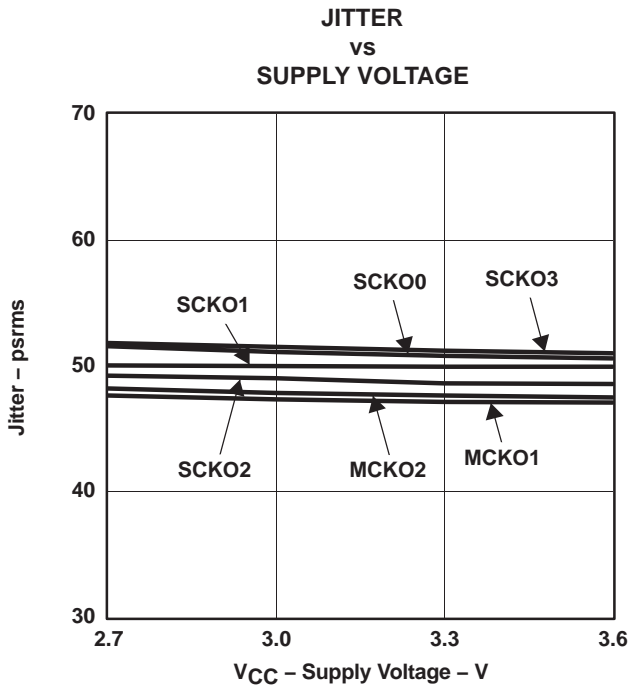


Figure 3

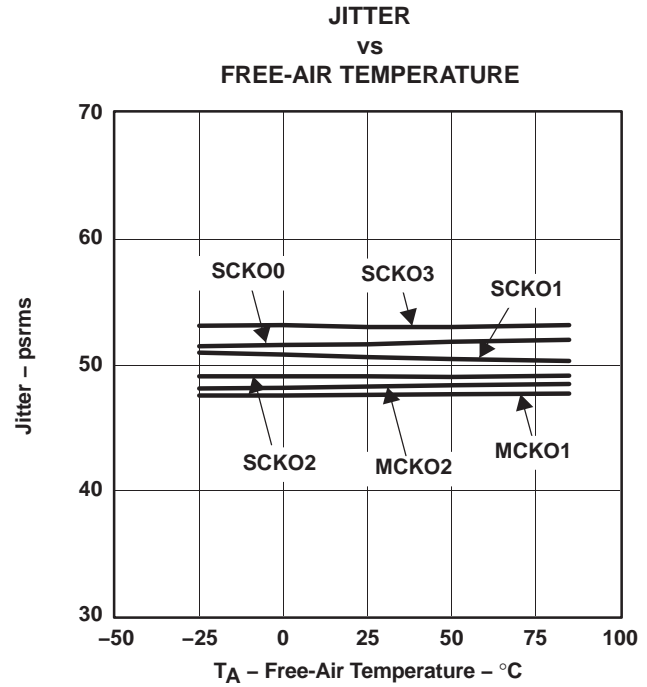
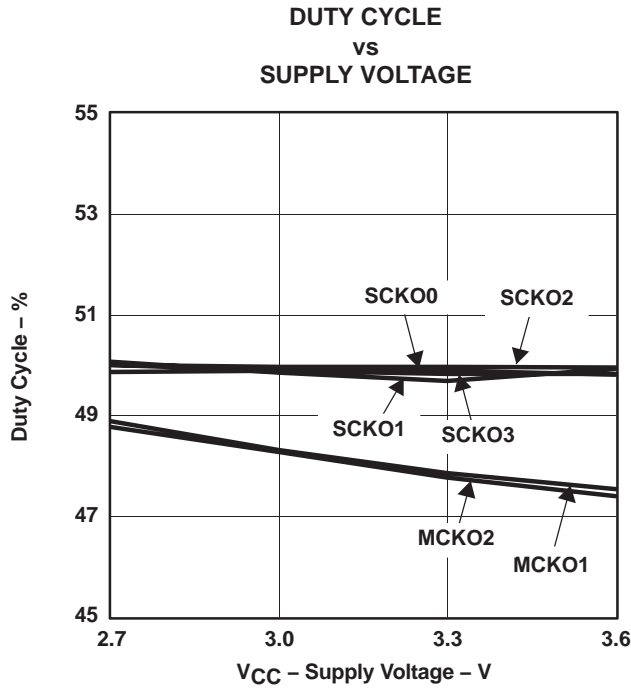
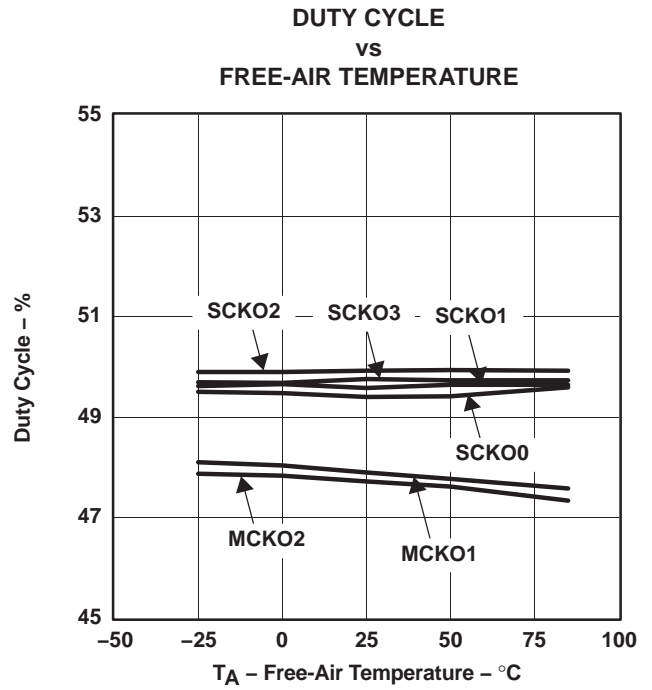


Figure 4

NOTE: All specifications at  $T_A = 25^\circ\text{C}$ ,  $V_{DD1-3} (= V_{DD}) = V_{CC} = +3.3\text{ V}$ ,  $f_M = 27\text{ MHz}$ , crystal oscillation,  $C_1, C_2 = 15\text{ pF}$ , default frequency (33.8688 MHz for SCKO0, 33.8688 MHz for SCKO1,  $256 f_S$  and  $384 f_S$  of 48 kHz for SCKO2 and SCKO3),  $C_L = 20\text{ pF}$  on measurement pin, unless otherwise noted.



**Figure 5**



**Figure 6**

NOTE: All specifications at T<sub>A</sub> = 25°C, V<sub>DD1-3</sub> (= V<sub>DD</sub>) = V<sub>CC</sub> = +3.3 V, f<sub>M</sub> = 27 MHz, crystal oscillation, C<sub>1</sub>, C<sub>2</sub> = 15 pF, default frequency (33.8688 MHz for SCKO0, 33.8688 MHz for SCKO1, 256 f<sub>S</sub> and 384 f<sub>S</sub> of 48 kHz for SCKO2 and SCKO3), C<sub>L</sub> = 20 pF on measurement pin, unless otherwise noted.

THEORY OF OPERATION

MASTER CLOCK AND SYSTEM CLOCK OUTPUT

The PLL1705/6 consists of a dual PLL clock and master clock generator which generates four system clocks and two buffered 27-MHz clocks from a 27-MHz master clock. Figure 7 shows the block diagram of the PLL1705/6. The PLL is designed to accept a 27-MHz master clock.

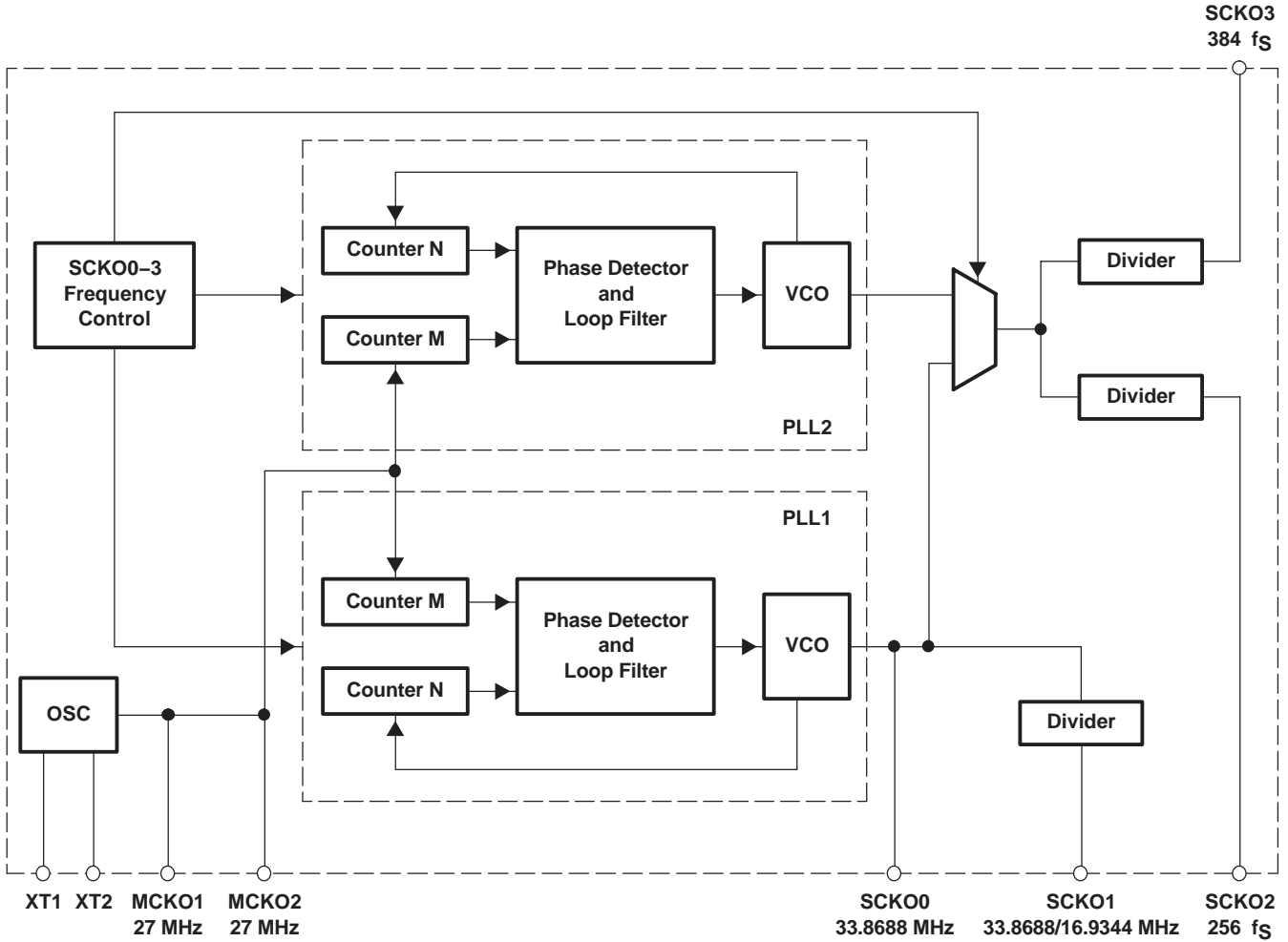


Figure 7. Block Diagram



The master clock can be either a crystal oscillator placed between XT1 (pin 10) and XT2 (pin 11), or an external input to XT1. If an external master clock is used, XT2 must be open. Figure 8 illustrates possible system clock connection options, and Figure 9 illustrates the 27-MHz master clock timing requirement.

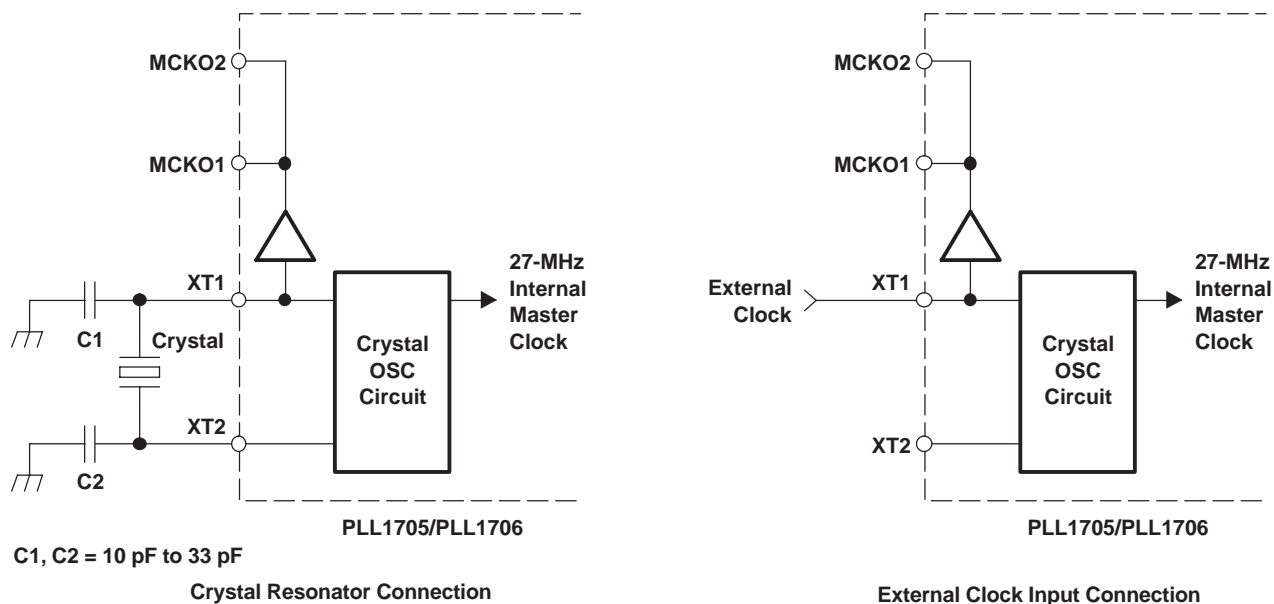
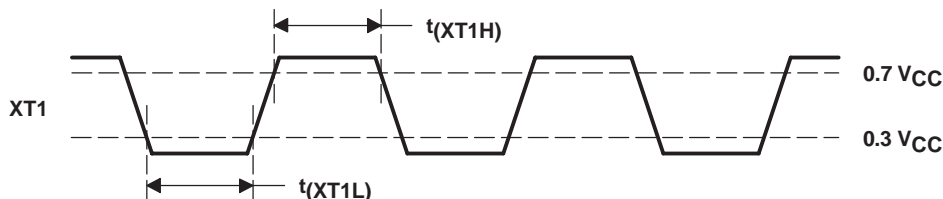


Figure 8. Master Clock Generator Connection Diagram



DESCRIPTION	SYMBOL	MIN	MAX	UNIT
Master clock pulse duration HIGH	$t_{XT1H}$	10		ns
Master clock pulse duration LOW	$t_{XT1L}$	10		ns

Figure 9. External Master Clock Timing Requirement

The PLL1705/6 provides a very low-jitter, high-accuracy clock. SCKO0 outputs a fixed 33.8688-MHz clock, SCKO1 outputs  $384 f_S$  or  $768 f_S$  ( $f_S = 44.1$  kHz) which is selected by CSEL (pin 12) for a CD-DA DSP. The output frequency of the remaining clocks is determined by the sampling frequency ( $f_S$ ) under hardware or software control. SCKO2 and SCKO3 output  $256\text{-}f_S$  and  $384\text{-}f_S$  system clocks, respectively. Table 2 shows each sampling frequency, which can be programmed. The system clock output frequencies for programmed sampling frequencies are shown in Table 3.

Table 1. Generated System Clock SCKO1 Frequency

CSEL	SCKO1 FREQUENCY
LOW	33.8688 MHz
HIGH	16.9344 MHz

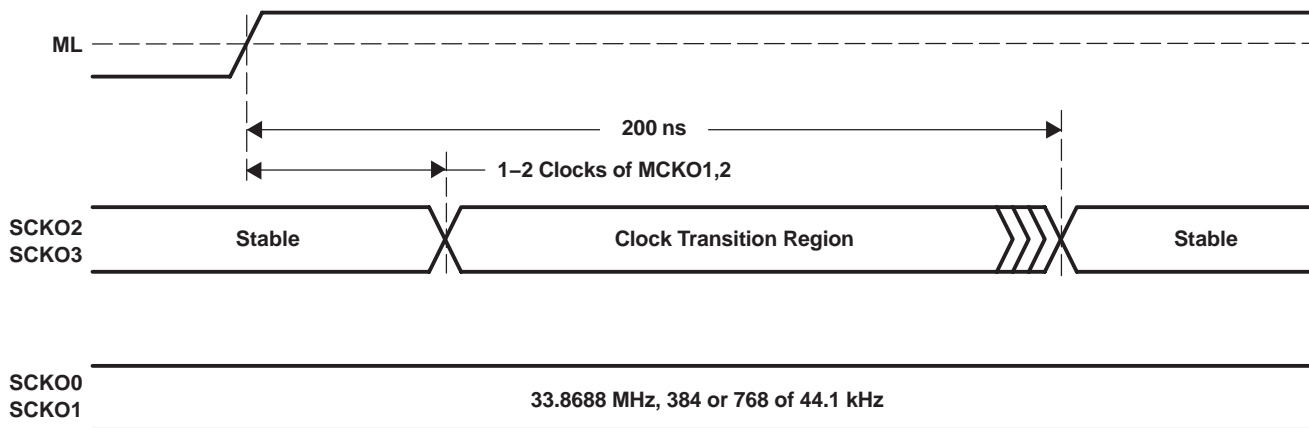
Table 2. Sampling Frequencies

SAMPLING RATE	SAMPLING FREQUENCY (kHz)		
Standard sampling frequencies	32	44.1	48
Double sampling frequencies	64	88.2	96

**Table 3. Sampling Frequencies and System Clock Output Frequencies**

SAMPLING FREQUENCY (kHz)	SAMPLING RATE	SCKO2 (MHZ)	SCKO3 (MHZ)
32	Standard	8.192	12.288
44.1	Standard	11.2896	16.9344
48	Standard	12.288	18.432
64	Double	16.384	24.576
88.2	Double	22.5792	33.8688
96	Double	24.576	36.864

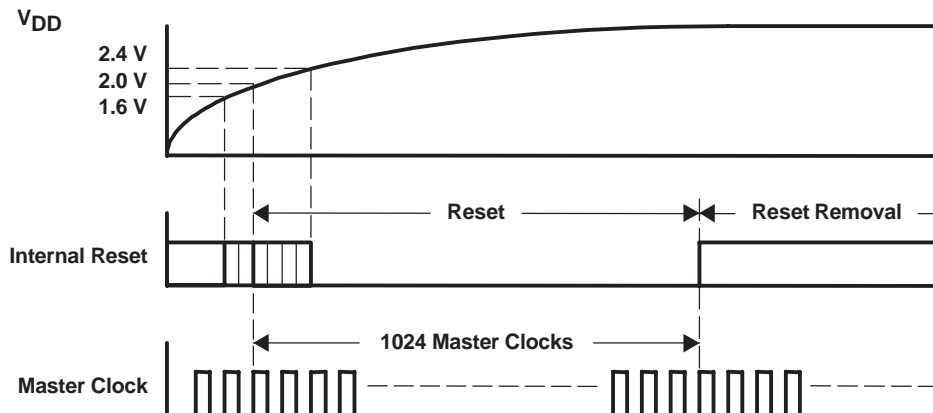
Response time from power on (or applying the clock to XT1) to SCKO settling time is typically 3 ms. Delay time from sampling frequency change to SCKO settling is 200 ns maximum. This clock transient timing is not synchronized with the SCKOx signals. Figure 10 illustrates SCKO transient timing in the PLL1706. External buffers are recommended on all output clocks in order to avoid degrading the jitter performance of the PLL1705/6.



**Figure 10. System Clock Transient Timing**

**POWER-ON RESET**

The PLL1705/6 has an internal power-on reset circuit. The mode register of PLL1706 is initialized with default settings by power-on reset. Throughout the reset period, all clock outputs are enabled with the default settings after power up time. Initialization by internal power-on reset is done automatically during 1024 master clocks at  $V_{DD} > 2.0$  V (TYP). Power-on reset timing is shown in Figure 11.



**Figure 11. Power-On Reset Timing**

## FUNCTION CONTROL

The built-in functions of the PLL1705 can be controlled in the parallel mode (hardware mode), which uses SR (pin 7), FS1 (pin 5) and FS2 (pin 6). The PLL1706 can be controlled in the serial mode (software mode), which uses a three-wire interface by ML (pin 7), MC (pin 6), and MD (pin 5). The selectable functions are shown in Table 4.

**Table 4. Selectable Functions**

SELECTABLE FUNCTION	PARALLEL MODE	SERIAL MODE
Sampling frequency select (32 kHz, 44.1 kHz, 48 kHz)	Yes	Yes
Sampling rate select (standard/double)	Yes	Yes
Each clock output enable/disable	No	Yes
Power down	No	Yes

### PLL1705 (Parallel Mode)

In the parallel mode, the following functions can be selected:

#### Sampling Frequency Group Select

The sampling frequency group can be selected by FS1 (pin 5) and FS2 (pin 6).

FS2 (PIN 6)	FS1 (PIN 5)	SAMPLING FREQUENCY
LOW	LOW	48 kHz
LOW	HIGH	44.1 kHz
HIGH	LOW	32 kHz
HIGH	HIGH	Reserved

#### Sampling Rate Select

The sampling rate can be selected by SR (pin 7)

SR (PIN 7)	SAMPLING RATE
LOW	Standard
HIGH	Double

### PLL1706 (Serial Mode)

The built-in functions of the PLL1706 are shown in Table 5. These functions are controlled using the ML, MC, and MD serial control signals.

**Table 5. Selectable Functions**

SELECTABLE FUNCTION	DEFAULT
Sampling frequency select (32 kHz, 44.1 kHz, 48 kHz)	48-kHz group
Sampling rate select (standard/double)	Standard
Each clock output enable/disable	Enabled
Power down	Disabled

### Program-Register Bit Mapping

The built-in functions of the PLL1706 are controlled through a 16-bit program register. This register is loaded using MD, MC and ML. After the 16 data bits are clocked in using the rising edge of MC, ML is used to latch the data into the register. Table 6 shows the bit mapping of the register. The serial mode control format and control data input timing are shown in Figure 12 and Figure 13, respectively.

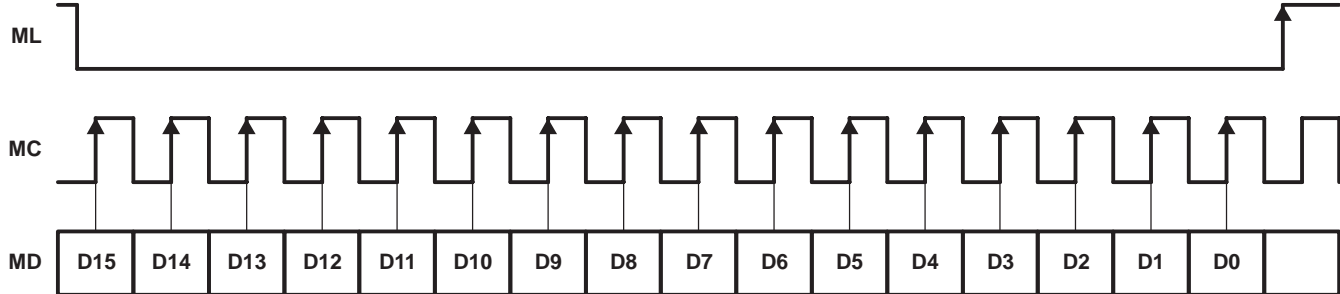
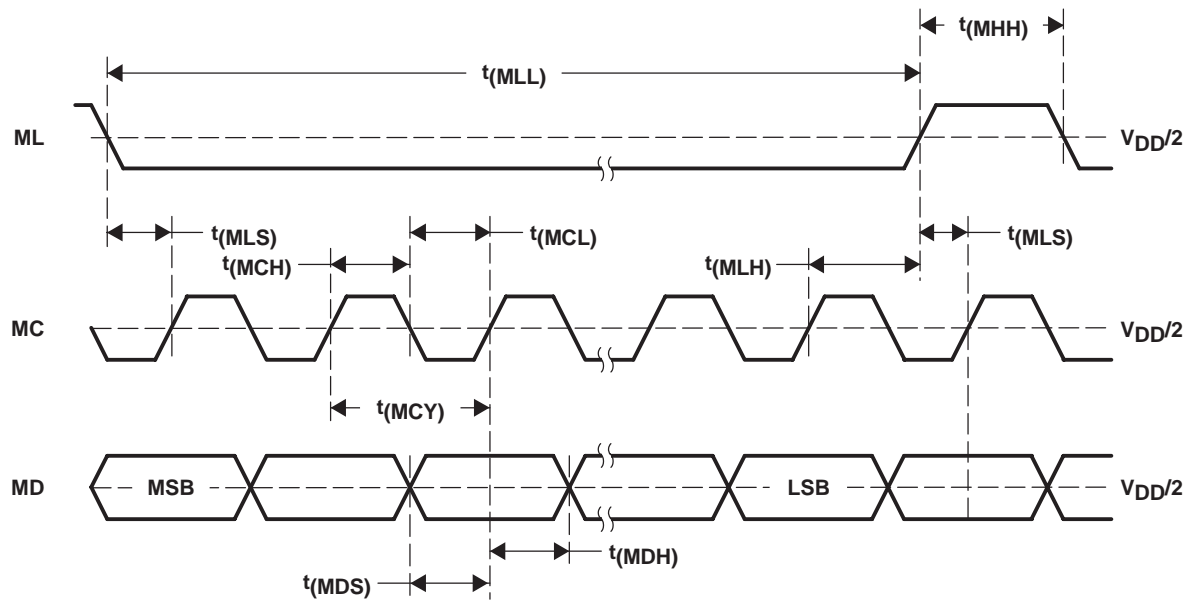


Figure 12. Serial Mode Control Format



DESCRIPTION	SYMBOL	MIN	TYP	MAX	UNIT
MC pulse cycle time	$t_{MCY}$	100			ns
MC pulse duration LOW	$t_{MCL}$	40			ns
MC pulse duration HIGH	$t_{MCH}$	40			ns
MD hold time	$t_{MDH}$	40			ns
MD setup time	$t_{MDS}$	40			ns
ML low-level time	$t_{MLL}$	16			MC clocks <sup>(1)</sup>
ML high-level time	$t_{MHH}$	200			ns
ML hold time <sup>(2)</sup>	$t_{MLH}$	40			ns
ML setup time <sup>(3)</sup>	$t_{MLS}$	40			ns

(1) MC clocks: MC clock period

(2) MC rising edge for LSB to ML rising edge

(3) ML rising edge to the next MC rising edge. If the MC clock is stopped after the LSB, any ML rise time is accepted.

Figure 13. Control Data Input Timing

## Mode Register

D15	D14	D13	D12	D11	D10	D9	D8	D7	D6	D5	D4	D3	D2	D1	D0
0	1	1	1	0	0	CE6	CE5	CE4	CE3	CE2	CE1	RSV	SR	FS2	FS1

**Table 6. Register Mapping**

REGISTER	BIT NAME	DESCRIPTION
Mode control	CE6	MCKO2 output enable/disable
	CE5	MCKO1 output enable/disable
	CE4	SCKO1 output enable/disable
	CE3	SCKO3 output enable/disable
	CE2	SCKO2 output enable/disable
	CE1	SCKO0 output enable/disable
	RSV	Reserved, must be 0
	SR	Sampling rate select
	FS[2:1]	Sampling frequency select

FS[2:1]: Sampling Frequency Group Select

FS2	FS1	SAMPLING FREQUENCY	DEFAULT
0	0	48 kHz	0
0	1	44.1 kHz	
1	0	32 kHz	
1	1	Reserved	

SR: Sampling Rate Select

SR	SAMPLING RATE	DEFAULT
0	Standard	0
1	Double	

CE [6:1]: Clock Output Control

CE1–CE6	CLOCK OUTPUT CONTROL	DEFAULT
0	Clock output disable	
1	Clock output enable	0

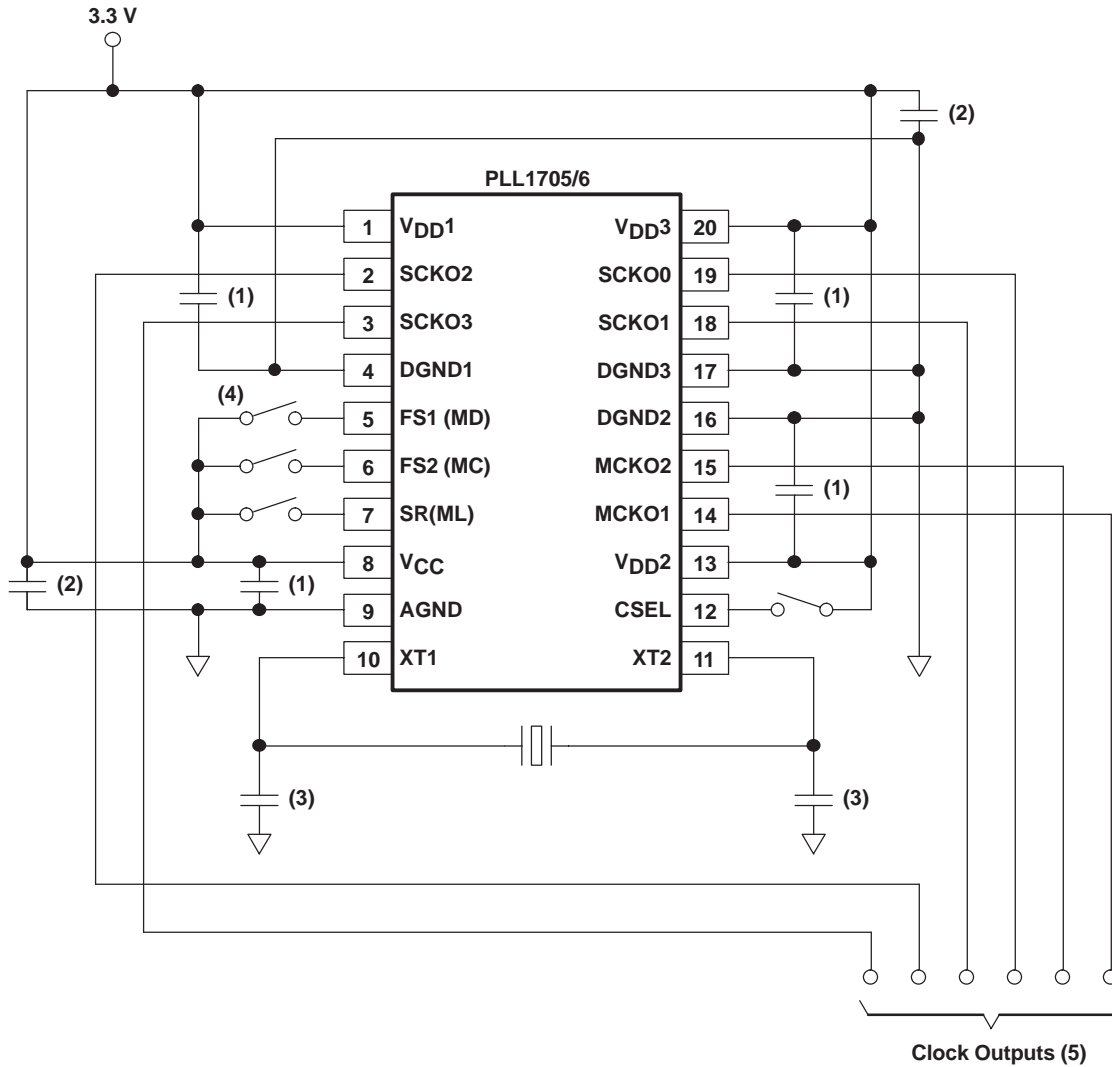
While all the bits of CE [6:1] are 0, the PLL1706 goes into the power-down mode, all dynamic operation including PLLs and the oscillator halt, but serial mode control is enabled for resumption.

## CONNECTION DIAGRAM

Figure 14 shows the typical connection circuit for the PLL1705. There are four grounds for digital and analog power supplies. However, the use of one common ground connection is recommended to avoid latch-up or other power-supply-related troubles. Power supplies should be bypassed as close as possible to the device.

## MPEG-2 APPLICATIONS

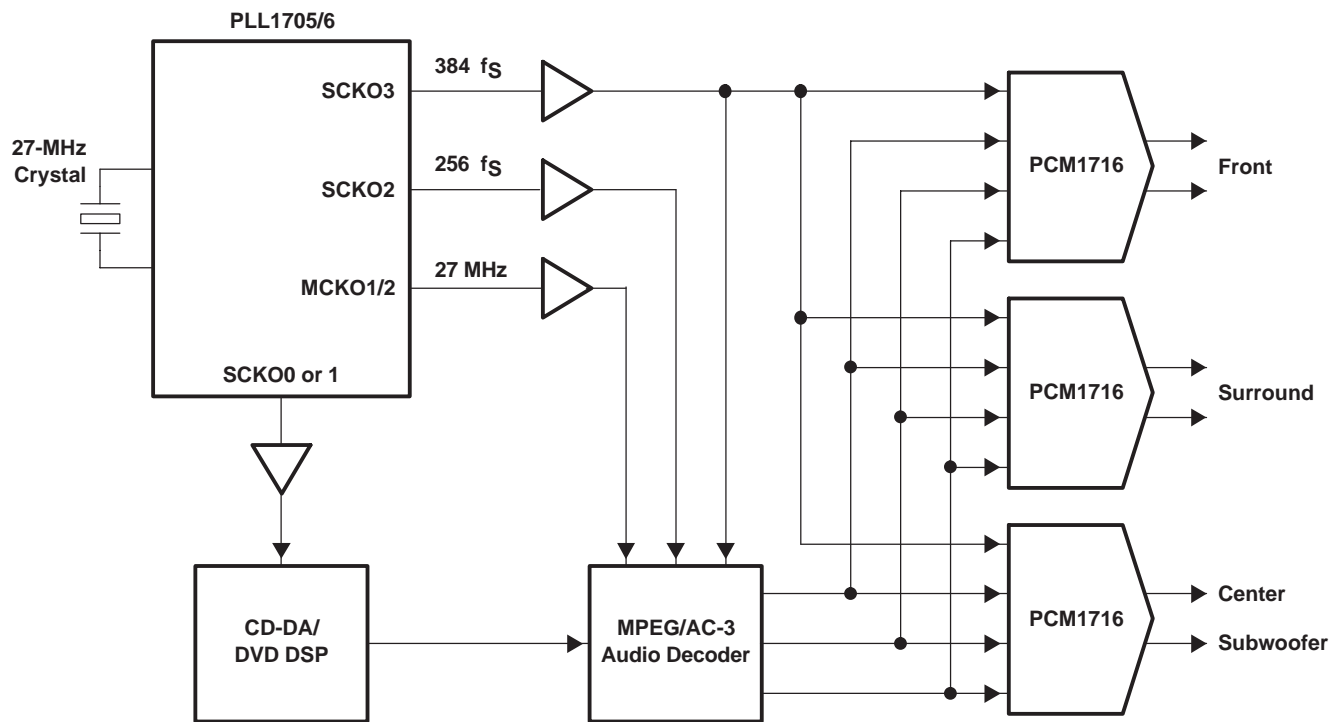
Typical applications for the PLL1705/6 are MPEG-2 based systems such as DVD players, DVD add-on cards for multimedia PCs, digital HDTV systems, and set-top boxes. The PLL1705/6 provides audio system clocks for a CD-DA DSP, DVD DSP, Karaoke DSP, and DAC(s) from a 27-MHz video clock.



- (1) 0.1- $\mu$ F ceramic capacitor typical, depending on quality of power supply and pattern layout
- (2) 10- $\mu$ F aluminum electrolytic capacitor typical, depending on quality of power supply and pattern layout
- (3) 27-MHz quartz crystal and 10–33 pF  $\times$  2 ceramic capacitors, which generate the appropriate amplitude of oscillation on XT1/XT2
- (4) This connection is for PLL1705 (parallel mode); when PLL1706 (serial mode) is to be used, control pins must be connected to serial interfaced controller.
- (5) For good jitter performance, minimize the load capacitance on the clock output.

**Figure 14. Typical Connection Diagram**

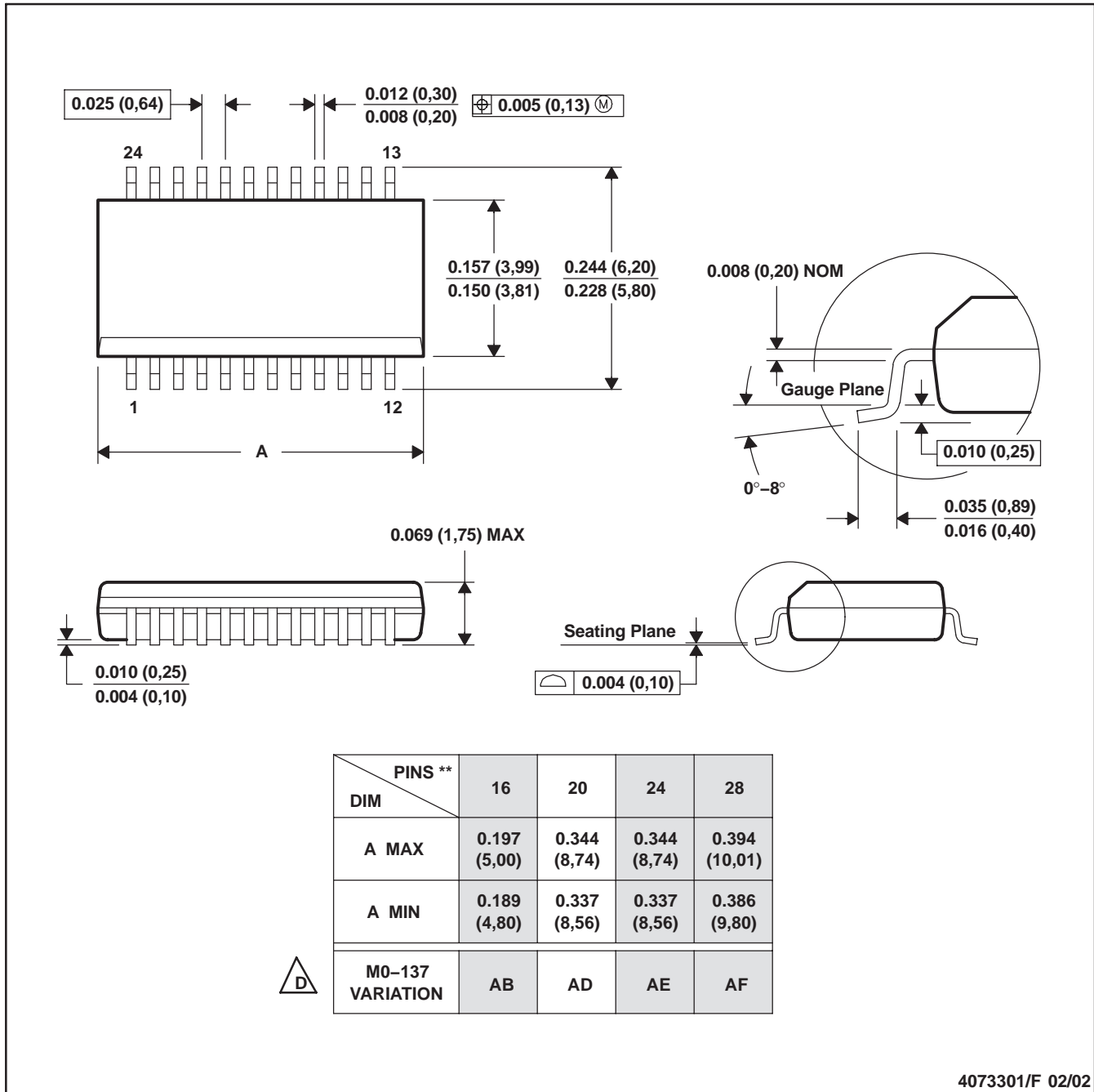
**BLOCK DIAGRAM OF MPEG-2 BASED SYSTEM APPLICATION**



**MECHANICAL DATA**

**DBQ (R-PDSO-G\*\*)**

**PLASTIC SMALL-OUTLINE PACKAGE**





**PACKAGING INFORMATION**

Orderable Device	Status <sup>(1)</sup>	Package Type	Package Drawing	Pins	Package Qty	Eco Plan <sup>(2)</sup>	Lead/Ball Finish	MSL Peak Temp <sup>(3)</sup>
PLL1705DBQ	ACTIVE	SSOP/ QSOP	DBQ	20	50	Green (RoHS & no Sb/Br)	CU NIPDAU	Level-1-260C-UNLIM
PLL1705DBQG4	ACTIVE	SSOP/ QSOP	DBQ	20	50	Green (RoHS & no Sb/Br)	CU NIPDAU	Level-1-260C-UNLIM
PLL1705DBQR	ACTIVE	SSOP/ QSOP	DBQ	20	2000	Green (RoHS & no Sb/Br)	CU NIPDAU	Level-1-260C-UNLIM
PLL1705DBQRG4	ACTIVE	SSOP/ QSOP	DBQ	20	2000	Green (RoHS & no Sb/Br)	CU NIPDAU	Level-1-260C-UNLIM
PLL1706DBQ	ACTIVE	SSOP/ QSOP	DBQ	20	50	Green (RoHS & no Sb/Br)	CU NIPDAU	Level-1-260C-UNLIM
PLL1706DBQG4	ACTIVE	SSOP/ QSOP	DBQ	20	50	Green (RoHS & no Sb/Br)	CU NIPDAU	Level-1-260C-UNLIM
PLL1706DBQR	ACTIVE	SSOP/ QSOP	DBQ	20	2000	Green (RoHS & no Sb/Br)	CU NIPDAU	Level-1-260C-UNLIM
PLL1706DBQRG4	ACTIVE	SSOP/ QSOP	DBQ	20	2000	Green (RoHS & no Sb/Br)	CU NIPDAU	Level-1-260C-UNLIM

<sup>(1)</sup> The marketing status values are defined as follows:

**ACTIVE:** Product device recommended for new designs.

**LIFEBUY:** TI has announced that the device will be discontinued, and a lifetime-buy period is in effect.

**NRND:** Not recommended for new designs. Device is in production to support existing customers, but TI does not recommend using this part in a new design.

**PREVIEW:** Device has been announced but is not in production. Samples may or may not be available.

**OBSOLETE:** TI has discontinued the production of the device.

<sup>(2)</sup> Eco Plan - The planned eco-friendly classification: Pb-Free (RoHS), Pb-Free (RoHS Exempt), or Green (RoHS & no Sb/Br) - please check <http://www.ti.com/productcontent> for the latest availability information and additional product content details.

**TBD:** The Pb-Free/Green conversion plan has not been defined.

**Pb-Free (RoHS):** TI's terms "Lead-Free" or "Pb-Free" mean semiconductor products that are compatible with the current RoHS requirements for all 6 substances, including the requirement that lead not exceed 0.1% by weight in homogeneous materials. Where designed to be soldered at high temperatures, TI Pb-Free products are suitable for use in specified lead-free processes.

**Pb-Free (RoHS Exempt):** This component has a RoHS exemption for either 1) lead-based flip-chip solder bumps used between the die and package, or 2) lead-based die adhesive used between the die and leadframe. The component is otherwise considered Pb-Free (RoHS compatible) as defined above.

**Green (RoHS & no Sb/Br):** TI defines "Green" to mean Pb-Free (RoHS compatible), and free of Bromine (Br) and Antimony (Sb) based flame retardants (Br or Sb do not exceed 0.1% by weight in homogeneous material)

<sup>(3)</sup> MSL, Peak Temp. -- The Moisture Sensitivity Level rating according to the JEDEC industry standard classifications, and peak solder temperature.

**Important Information and Disclaimer:**The information provided on this page represents TI's knowledge and belief as of the date that it is provided. TI bases its knowledge and belief on information provided by third parties, and makes no representation or warranty as to the accuracy of such information. Efforts are underway to better integrate information from third parties. TI has taken and continues to take reasonable steps to provide representative and accurate information but may not have conducted destructive testing or chemical analysis on incoming materials and chemicals. TI and TI suppliers consider certain information to be proprietary, and thus CAS numbers and other limited information may not be available for release.

In no event shall TI's liability arising out of such information exceed the total purchase price of the TI part(s) at issue in this document sold by TI to Customer on an annual basis.

**TAPE AND REEL INFORMATION**



**QUADRANT ASSIGNMENTS FOR PIN 1 ORIENTATION IN TAPE**



\*All dimensions are nominal

Device	Package Type	Package Drawing	Pins	SPQ	Reel Diameter (mm)	Reel Width W1 (mm)	A0 (mm)	B0 (mm)	K0 (mm)	P1 (mm)	W (mm)	Pin1 Quadrant
PLL1705DBQR	SSOP/ QSOP	DBQ	20	2000	330.0	16.4	6.5	9.0	2.1	8.0	16.0	Q1
PLL1706DBQR	SSOP/ QSOP	DBQ	20	2000	330.0	16.4	6.5	9.0	2.1	8.0	16.0	Q1

**TAPE AND REEL BOX DIMENSIONS**



\*All dimensions are nominal

Device	Package Type	Package Drawing	Pins	SPQ	Length (mm)	Width (mm)	Height (mm)
PLL1705DBQR	SSOP/QSOP	DBQ	20	2000	346.0	346.0	33.0
PLL1706DBQR	SSOP/QSOP	DBQ	20	2000	346.0	346.0	33.0

## IMPORTANT NOTICE

Texas Instruments Incorporated and its subsidiaries (TI) reserve the right to make corrections, modifications, enhancements, improvements, and other changes to its products and services at any time and to discontinue any product or service without notice. Customers should obtain the latest relevant information before placing orders and should verify that such information is current and complete. All products are sold subject to TI's terms and conditions of sale supplied at the time of order acknowledgment.

TI warrants performance of its hardware products to the specifications applicable at the time of sale in accordance with TI's standard warranty. Testing and other quality control techniques are used to the extent TI deems necessary to support this warranty. Except where mandated by government requirements, testing of all parameters of each product is not necessarily performed.

TI assumes no liability for applications assistance or customer product design. Customers are responsible for their products and applications using TI components. To minimize the risks associated with customer products and applications, customers should provide adequate design and operating safeguards.

TI does not warrant or represent that any license, either express or implied, is granted under any TI patent right, copyright, mask work right, or other TI intellectual property right relating to any combination, machine, or process in which TI products or services are used. Information published by TI regarding third-party products or services does not constitute a license from TI to use such products or services or a warranty or endorsement thereof. Use of such information may require a license from a third party under the patents or other intellectual property of the third party, or a license from TI under the patents or other intellectual property of TI.

Reproduction of TI information in TI data books or data sheets is permissible only if reproduction is without alteration and is accompanied by all associated warranties, conditions, limitations, and notices. Reproduction of this information with alteration is an unfair and deceptive business practice. TI is not responsible or liable for such altered documentation. Information of third parties may be subject to additional restrictions.

Resale of TI products or services with statements different from or beyond the parameters stated by TI for that product or service voids all express and any implied warranties for the associated TI product or service and is an unfair and deceptive business practice. TI is not responsible or liable for any such statements.

TI products are not authorized for use in safety-critical applications (such as life support) where a failure of the TI product would reasonably be expected to cause severe personal injury or death, unless officers of the parties have executed an agreement specifically governing such use. Buyers represent that they have all necessary expertise in the safety and regulatory ramifications of their applications, and acknowledge and agree that they are solely responsible for all legal, regulatory and safety-related requirements concerning their products and any use of TI products in such safety-critical applications, notwithstanding any applications-related information or support that may be provided by TI. Further, Buyers must fully indemnify TI and its representatives against any damages arising out of the use of TI products in such safety-critical applications.

TI products are neither designed nor intended for use in military/aerospace applications or environments unless the TI products are specifically designated by TI as military-grade or "enhanced plastic." Only products designated by TI as military-grade meet military specifications. Buyers acknowledge and agree that any such use of TI products which TI has not designated as military-grade is solely at the Buyer's risk, and that they are solely responsible for compliance with all legal and regulatory requirements in connection with such use.

TI products are neither designed nor intended for use in automotive applications or environments unless the specific TI products are designated by TI as compliant with ISO/TS 16949 requirements. Buyers acknowledge and agree that, if they use any non-designated products in automotive applications, TI will not be responsible for any failure to meet such requirements.

Following are URLs where you can obtain information on other Texas Instruments products and application solutions:

### Products

Amplifiers	<a href="http://amplifier.ti.com">amplifier.ti.com</a>
Data Converters	<a href="http://dataconverter.ti.com">dataconverter.ti.com</a>
DSP	<a href="http://dsp.ti.com">dsp.ti.com</a>
Clocks and Timers	<a href="http://www.ti.com/clocks">www.ti.com/clocks</a>
Interface	<a href="http://interface.ti.com">interface.ti.com</a>
Logic	<a href="http://logic.ti.com">logic.ti.com</a>
Power Mgmt	<a href="http://power.ti.com">power.ti.com</a>
Microcontrollers	<a href="http://microcontroller.ti.com">microcontroller.ti.com</a>
RFID	<a href="http://www.ti-rfid.com">www.ti-rfid.com</a>
RF/IF and ZigBee® Solutions	<a href="http://www.ti.com/lprf">www.ti.com/lprf</a>

### Applications

Audio	<a href="http://www.ti.com/audio">www.ti.com/audio</a>
Automotive	<a href="http://www.ti.com/automotive">www.ti.com/automotive</a>
Broadband	<a href="http://www.ti.com/broadband">www.ti.com/broadband</a>
Digital Control	<a href="http://www.ti.com/digitalcontrol">www.ti.com/digitalcontrol</a>
Medical	<a href="http://www.ti.com/medical">www.ti.com/medical</a>
Military	<a href="http://www.ti.com/military">www.ti.com/military</a>
Optical Networking	<a href="http://www.ti.com/opticalnetwork">www.ti.com/opticalnetwork</a>
Security	<a href="http://www.ti.com/security">www.ti.com/security</a>
Telephony	<a href="http://www.ti.com/telephony">www.ti.com/telephony</a>
Video & Imaging	<a href="http://www.ti.com/video">www.ti.com/video</a>
Wireless	<a href="http://www.ti.com/wireless">www.ti.com/wireless</a>

Mailing Address: Texas Instruments, Post Office Box 655303, Dallas, Texas 75265  
Copyright © 2008, Texas Instruments Incorporated