



FSA221 — USB2.0 High-Speed (480Mbps) and Audio Switches with Negative Signal Capability

Features

- HS-USB: 4Ω Typical On Resistance
- HS-USB: 4.5pF Typical On Capacitance
- Audio: 3Ω Typical On Resistance
- -3db Bandwidth: > 720MHz
- Low Power Consumption
- Power-off Protection on Common D+/R, D-/L Ports
- Automatically Detects V_{bus} for Switch Path Selection

Applications

- Cell Phone, PDA, Digital Camera, and Notebook
- LCD Monitor, TV, and Set-Top Box

Description

The FSA221 is a Double-Pole, Double Throw (DPDT) multiplexer that combines a low-distortion audio and a USB2.0 High-Speed (HS) switch path. This configuration enables audio and USB data to share a common connector port. The architecture is designed to allow audio signals to swing below ground. This means a common USB and headphone jack can be used for personal media players and portable peripheral devices.

Since USB2.0 is an industry standard for shared data-path in portable devices, the FSA221 also incorporates a V_{bus} detection capability. The FSA221 includes a power-off feature to minimize current consumption when V_{bus} is not present. This power-off circuitry is available for the common D+/R, D-/L ports only. Typical applications involve switching in portables and consumer applications, such as cell phones, digital cameras, and notebooks with hubs or controllers.

Ordering Information

Part Number	Package Number	Top Mark	Package Description
FSA221L10X	MAC10A	GK	10-Lead MicroPak™, JEDEC MO-255, 1.6 x 2.1mm
FSA221MUX	MUA10A	FSA221	10-Lead MSOP JEDEC MO-187, 3.0 mm Wide
FSA221UMX	UMLP10A	GL	10-Lead Quad, Ultrathin MLP, 1.4 x 1.8mm

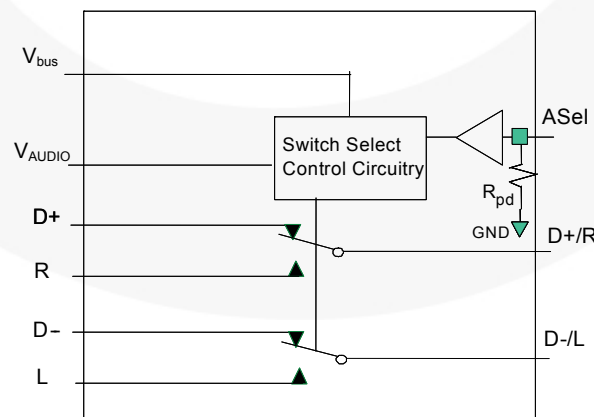


Figure 1. Analog Symbol

Pin Assignments

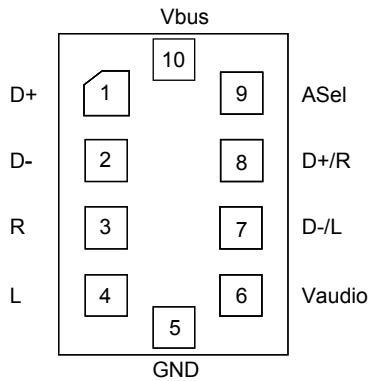


Figure 2. 10-Lead MicroPak™

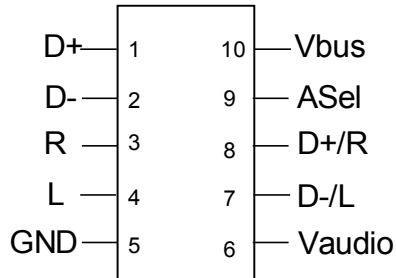


Figure 3. 10-Lead MSOP

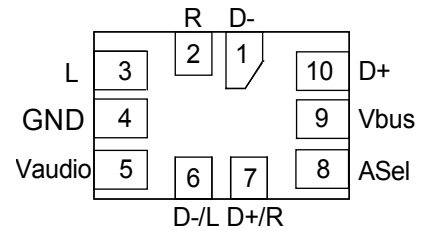


Figure 4. 10-Lead UMLP

Pin Descriptions

Name	Description
V_{audio}	Power supply (Audio)
V_{bus}	Power supply (USB) and auto USB switch-path select
A_{Sel}	Audio select to override auto USB detect when V_{AUDIO} supply is present
D+, D-	USB data bus input sources
R, L	Audio right and left input sources
D+/R, D-/L	USB and audio common connector ports

Truth Table

$A_{\text{Sel}}^{(1)}$	V_{audio}	V_{bus}	L, R	D+, D-
	LOW	LOW	OFF	OFF
	LOW	HIGH ⁽²⁾	OFF	ON
	HIGH ⁽²⁾	LOW	ON	OFF
LOW	HIGH ⁽²⁾	HIGH ⁽²⁾	OFF	ON
HIGH	HIGH ⁽²⁾	HIGH ⁽²⁾	ON	OFF

Notes:

1. A_{Sel} - Internal resistor to GND provides auto- V_{bus} detect if there is no external connection. Forcing A_{Sel} HIGH when V_{AUDIO} is present overrides the USB path even if V_{bus} is present.
2. HIGH - Value is the threshold as defined to meet USB2.0 V_{bus} requirements and audio supply threshold in a system (see DC Tables).

Functional Description

The FSA221 is a combined USB and audio switch that enables sharing the D+/D- lines of a USB connector with stereo audio CODEC outputs. The switch is optimized for high-speed USB signals and includes an automatic V_{bus} -detection circuit. When a USB connector, rather than a headphone, is connected to the ultra-portable device the switch is automatically configured for high-speed USB data transfer. If no V_{bus} is detected, and yet V_{AUDIO} is present, the switch is configured for the low-distortion audio switch path. The audio switch path also handles negative signals (down to -2V), which eliminates the need for large coupling capacitors.

For those applications where the V_{bus} is generated as a self-powered device or where V_{bus} is not removed, the A_{Sel} pin provides the ability to switch, under software

control, to the audio path. The A_{Sel} pin is internally terminated by a resistor to GND (typical value $3M\Omega$) and requires no connection for the standard ultra-portable (cell-phone, MP3, or portable media player). In an application where the supply to the FSA221 V_{bus} pin is not guaranteed to be removed, a GPIO pin can be used to switch out of high-speed USB mode into audio mode, using the A_{Sel} pin.

The FSA221 V_{bus} pin must be connected directly to V_{bus} or a supply > 3.8V, not an LDO regulated down to 3.6V or a V_{bat} -generated supply that may fall below 3.8V in normal operation.

Application Diagram

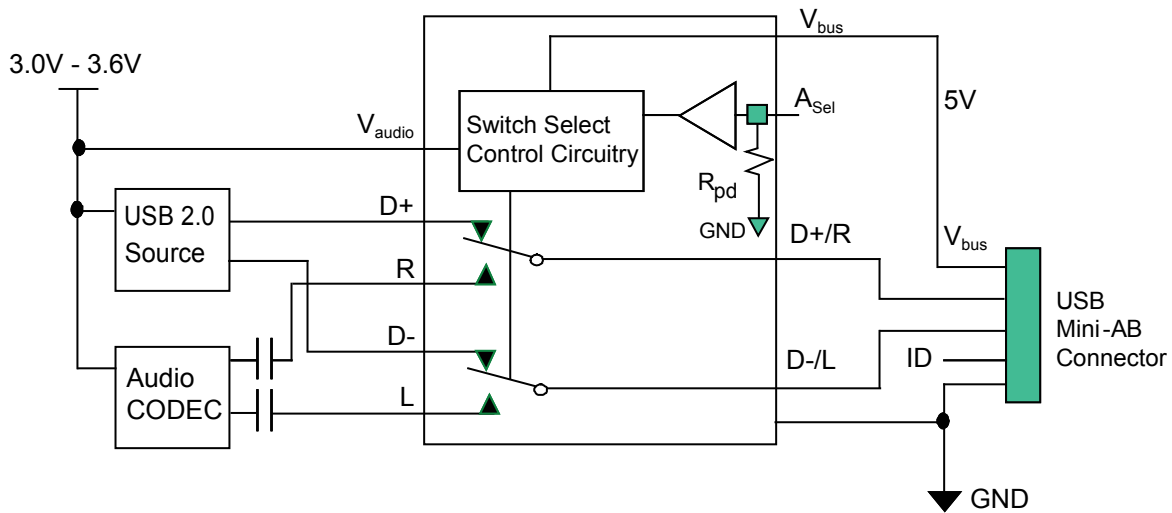


Figure 5. Typical Application

Absolute Maximum Ratings

Stresses exceeding the absolute maximum ratings may damage the device. The device may not function or be operable above the recommended operating conditions and stressing the parts to these levels is not recommended. In addition, extended exposure to stresses above the recommended operating conditions may affect device reliability. The absolute maximum ratings are stress ratings only.

Symbol	Parameter		Min.	Max.	Unit
V_{AUDIO}/V_{BUS}	Supply Voltage		-0.5	6.0	V
V_{SW}	Switch I/O Voltage ⁽³⁾	D+, D-, D+/R, D-/L Pins	$V_{BUS} - 7.0$	$V_{BUS} + 0.3$	V
		R, L, Pins	$V_{AUDIO} - 7.0$	$V_{AUDIO} - 0.3$	V
A_{SEL}	Control Input Voltage ⁽³⁾		-0.5	6.0	V
I_{IK}	Input Clamp Diode Current		-50		mA
I_{SW}	Switch I/O Current (Continuous)	USB		50	mA
		Audio		50	
I_{SWPEAK}	Peak Switch Current (Pulsed at 1ms Duration, <10% Duty Cycle)	USB		100	mA
		Audio		100	
T_{STG}	Storage Temperature Range		-65	+150	°C
T_J	Maximum Junction Temperature			+150	°C
T_L	Lead Temperature (Soldering, 10 seconds)			+260	°C
MSL	Moisture Sensitivity Level (JEDEC J-STD-020A)		Level 1		
ESD	Human Body Model (JEDEC: JESD22-A114)	I/O to GND		7500	V
		All Other Pins		7500	
		$V_{AUDIO} V_{BUS}$ to GND		12000	
	Charged Device Model (JEDEC: JESD22-C101)			2000	

Note:

- The input and output negative ratings may be exceeded if the input and output diode current ratings are observed.

Recommended Operating Conditions

The Recommended Operating Conditions table defines the conditions for actual device operation. Recommended operating conditions are specified to ensure optimal performance to the datasheet specifications. Fairchild does not recommend exceeding them or designing to Absolute Maximum Ratings.

Symbol	Parameter		Minimum	Maximum
V_{AUDIO}	Supply Voltage		3.0V	4.2V
V_{BUS}	Supply Voltage		4.25V	5.50V
A_{Sel}	Control Input Voltage		0V	V_{AUDIO}
V_{SW}	Switch I/O Voltage		$V_{AUDIO} - 6.5V$	$V_{AUDIO} - 0.3V$
			$V_{BUS} - 6.5V$	V_{BUS}
T_A	Operating Temperature		-40°C	85°C
θ_{JA}	Thermal Resistance (Free Air)	MicroPak™		330°C / W (Estimated)

DC Electrical Characteristics

All typical values are at $T_A=25^\circ\text{C}$ unless otherwise specified.

Symbol	Parameter	V_{AUDIO} (V)	Condition	$T_A=-40^\circ\text{C}$ to $+85^\circ\text{C}$			Unit
				Min.	Typ.	Max.	
Common Pins							
V_{IK}	Clamp Diode Voltage	3.0	$I_{\text{IK}}=-18\text{mA}$			-1.2	V
V_{IH}	Control Input Voltage HIGH	3.0 to 3.6		1.2			
V_{IL}	Control Input Voltage LOW	3.0 to 3.6				0.5	
I_{IN}	A_{Sel} Input HIGH Current	3.6	$V_{\text{IN}}=3.6\text{V}$	-1		10	μA
			$V_{\text{IN}}=0\text{V}$	-1		1	
I_{OFF}	Power-Off Leakage Current (Common Port Only D+/R, D-/L)	$V_{\text{AUDIO}}=V_{\text{BUS}}=0\text{V}$	Common Port (D+/R, D-/L), $V_{\text{SW}}=0\text{V}$ to 5.5V			10	μA
$I_{\text{NO(OFF)}}$	Off-Leakage Current of Port D+, D-, R, L	4.2	$V_{\text{BUS}}=0\text{V}$, 5.5V, D+/R, D-/L=0.3V, $V_{\text{AUDIO}}-0.3\text{V}$, D+, D-, R, L=0.3V, $V_{\text{AUDIO}}-0.3\text{V}$ or Floating, Figure 11	-50	1	50	nA
$I_{\text{NC(ON)}}$	On-Leakage Current of Port D+/R or D-/L	4.2	$V_{\text{bus}}=0\text{V}$, 5.5V, D+/R, D-/L=0.3V, $V_{\text{AUDIO}}-0.3\text{V}$, D+, D-, R, L=Floating, Figure 12	-50	1	50	nA
R_{PD}	A_{Sel} Internal Pull-Down Resistor				3		$\text{M}\Omega$
USB Switch Path		V_{BUS} (V)					
	USB Analog Signal Range			0		3.6	V
R_{ONUSB}	HS Switch On Resistance ⁽⁴⁾	4.25	$V_{\text{D+}/\text{D-}}=0\text{V}$, 0.4V, $I_{\text{ON}}=-8\text{mA}$, $V_{\text{AUDIO}}=3\text{V}$		4	6	Ω
ΔR_{ONUSB}	HS Delta R_{ON} ^(5,6)	4.25	$V_{\text{D+}/\text{D-}}=0\text{V}$, $I_{\text{ON}}=-8\text{mA}$, $V_{\text{AUDIO}}=3\text{V}$		0.4		Ω
Audio Switch Path		V_{AUDIO} (V)					
	Audio Analog Signal Range			$V_{\text{AUDIO}}-5.5$		V_{AUDIO}	V
R_{ONAudio}	Audio Switch On Resistance ⁽⁴⁾	3.0	$V_{\text{L}/\text{R}}=-2\text{V}$, 0V, 0.7V, $V_{\text{BUS}}=0\text{V}$, $V_{\text{AUDIO}}-0.7\text{V}$, V_{AUDIO} , $I_{\text{ON}}=-26\text{mA}$		3	5	Ω
$\Delta R_{\text{ONAudio}}$	Audio Delta R_{ON} ⁽⁵⁾	3.0	$V_{\text{L}/\text{R}}=0.7\text{V}$ $I_{\text{ON}}=-26\text{mA}$		0.4		Ω
$R_{\text{FLAT(Audio)}}$	Audio R_{ON} Flatness ⁽⁷⁾	3.0	$I_{\text{ON}}=-26\text{mA}$		1.5	2.5	Ω
Power Supply							
V_{busth}	V_{BUS} Threshold Voltage			3.2		3.8	V
V_{audiOTH}	V_{AUDIO} Threshold			0.5		1.5	V
$I_{\text{CC(Audio)}}$	Quiescent Supply Current (Audio)	4.2	$V_{\text{ASel}}=0$ to V_{AUDIO} , $I_{\text{OUT}}=0$		6	10	μA
$I_{\text{CC}(V_{\text{BUS}})}$	Quiescent Supply Current (V_{BUS})		$V_{\text{ASel}}=0$ to V_{AUDIO} , $I_{\text{OUT}}=0$, $V_{\text{BUS}}=5.5\text{V}$		12	20	μA
I_{CCT}	Increase in I_{CC} Current per Control Voltage and V_{CC}	4.2	$V_{\text{ASel}}=2.6\text{V}$, $V_{\text{BUS}}=\text{Floating}$		10	15	μA
			$V_{\text{ASel}}=1.8\text{V}$, $V_{\text{BUS}}=\text{Floating}$		14	18	

Notes:

- On resistance is determined by the voltage drop between the A and B pins at the indicated current through the switch.
- $\Delta R_{\text{ON}}=R_{\text{ON max}}-R_{\text{ON min}}$ measured at identical V_{CC} , temperature, and voltage. Worst-case signal path, audio, or USB channel, is characterized.
- Guaranteed by characterization, not production tested.
- Flatness is defined as the difference between the maximum and minimum values of on resistance over the specified range of conditions.

AC Electrical Characteristics

All typical value are for $V_{\text{AUDIO}}=3.3\text{V}$ and $V_{\text{BUS}}=5.0$ at $T_A=25^\circ\text{C}$ unless otherwise specified.

Symbol	Parameter	$V_{\text{AUDIO}} / V_{\text{BUS}}$ (V)	Condition	$T_A=-40^\circ\text{C}$ to $+85^\circ\text{C}$			Unit
				Min.	Typ.	Max.	
t_{ONAUDIO1}	Turn-On Time $V_{\text{AUDIO}}\uparrow$ to Output	$V_{\text{BUS}}=0\text{V}$	$V_{\text{D+R, D-/L}}=1.0\text{V}$, $R_L=50\Omega$, $C_L=50\text{pF}$ Figure 13, Figure 15			10	μs
$t_{\text{OFFAUDIO1}}$	Turn-Off Time $V_{\text{BUS}}\uparrow$ to Output	$V_{\text{AUDIO}}=3.0$ for $V_{\text{BUS}}\uparrow$	$V_{\text{D+R, D-/L}}=1.0\text{V}$, $R_L=50\Omega$, $C_L=50\text{pF}$ Figure 13, Figure 15			10	μs
t_{ONAUDIO2}	Turn-On Time A_{Sel} to Output	$V_{\text{BUS}}=4.25\text{V}$ $V_{\text{AUDIO}}=3.0$	$V_{\text{D+R, D-/L}}=1.0\text{V}$, $R_L=50\Omega$, $C_L=50\text{pF}$ Figure 13, Figure 14			2	μs
$t_{\text{OFFAUDIO2}}$	Turn-Off Time A_{Sel} to Output	$V_{\text{BUS}}=4.25\text{V}$ $V_{\text{AUDIO}}=3.0$	$V_{\text{D+R, D-/L}}=1.0\text{V}$, $R_L=50\Omega$, $C_L=50\text{pF}$ Figure 13, Figure 14			2	μs
t_{ONAUDIO3}	Turn-On Time $V_{\text{BUS}}\downarrow$ to Output	$V_{\text{AUDIO}}=3.0$	$V_{\text{D+R, D-/L}}=1.0\text{V}$, $R_L=50\Omega$, $C_L=50\text{pF}$ Figure 13, Figure 15			10	μs
t_{ONUSB}	Turn-On Time $V_{\text{USB}}\uparrow$ to Output	$V_{\text{AUDIO}}=3.0$	$V_{\text{D+R, D-/L}}=1.0\text{V}$, $R_L=50\Omega$, $C_L=0\text{pF}$ Figure 13, Figure 15			10	μs
t_{OFFUSB}	Turn-Off Time $V_{\text{USB}}\downarrow$ to Output	$V_{\text{AUDIO}}=3.0$	$V_{\text{D+R, D-/L}}=1.0\text{V}$, $R_L=50\Omega$, $C_L=0\text{pF}$ Figure 13, Figure 15			10	μs
t_{PDUSB}	USB Switch Propagation Delay ⁽⁸⁾	$V_{\text{AUDIO}}=3.0$ $V_{\text{BUS}}=4.25\text{V}$	$R_L=50\Omega$, $C_L=0\text{pF}$, Figure 16		0.25		ns
X_{talk_A}	Non-Adjacent Channel Crosstalk - Audio	$V_{\text{AUDIO}}=3.0$ $V_{\text{BUS}}=4.25\text{V}$	$f=20\text{kHz}$, $R_T=32\Omega$, $C_L=0\text{pF}$ Figure 7, Figure 21		-110		dB
BW	-3db Bandwidth - USB	$V_{\text{AUDIO}}=3.0$ $V_{\text{BUS}}=4.25\text{V}$	$R_T=50\Omega$, $C_L=0\text{pF}$, Signal 0dBm Figure 9, Figure 19		720		MHz
THD	Total Harmonic Distortion	$V_{\text{AUDIO}}=3.0$ $V_{\text{BUS}}=0\text{V}$	$f=20\text{Hz}$ to 20kHz , $R_L=32\Omega$, $V_{\text{IN}}=2V_{\text{pp}}$ Figure 24		0.05		%

Note:

8. Guaranteed by characterization, not production tested.

USB High-Speed-Related AC Electrical Characteristics

T_A = -40°C to +85°C.

Symbol	Parameter	V _{AUDIO} / V _{BUS} (V)	Conditions	Typ.	Unit
t _{SK(o)}	Channel-to-Channel Skew ⁽⁹⁾	V _{AUDIO} =3.0V V _{BUS} =4.25V	t _R =t _F =750ps (10-90%) at 240MHz C _L =0pF, R _L =50Ω Figure 17, Figure 18	35	ps
t _{SK(P)}	Skew of Opposite Transitions of the Same Output ⁽⁹⁾	V _{AUDIO} =3.0V V _{BUS} =4.25V	t _R =t _F =750ps (10-90%) at 240MHz C _L =0pF, R _L =50Ω Figure 17, Figure 18	35	
t _J	Total Jitter ⁽⁹⁾	V _{AUDIO} =3.0V V _{BUS} =4.25V	R _L =50Ω, C _L =50pF, t _R =t _F =500ps (10-90%) at 480Mbps (PRBS=2 ¹⁵ - 1)	130	ps

Note:

9. Guaranteed by characterization, not production tested.

Capacitance

T_A = -40°C to +85°C.

Symbol	Parameter	V _{AUDIO} / V _{BUS} (V)	Condition	Typ.	Unit
C _{IN (ASel)}	Control Pin Input Capacitance (A _{Sel})	V _{AUDIO} =3.0V, V _{BUS} =4.25V	V _{Bias} =0.2V	2.0	pF
C _{ON(D+/R, D-/L)}	D+/R, D-/L (Source Port) On Capacitance	V _{AUDIO} =3.0V, V _{BUS} =4.25V, A _{Sel} =0V (C _{ONUSB})	V _{Bias} =0.2V, f=240MHz, Figure 23	4.5	pF
		V _{AUDIO} =3.0V, V _{BUS} =4.25V, A _{Sel} =3.0V (C _{ONAudio})	V _{Bias} =0.2V, f=1MHz, Figure 23	9.0	
C _{OFF(D+, D-)}	USB Input Source Off Capacitance	V _{AUDIO} =3.0V, V _{BUS} =4.25V, A _{Sel} =3.0V	f=1MHz, Figure 22	1.5	pF
C _{OFF(R/L)}	Audio Input Source Off Capacitance	V _{AUDIO} =3.0V, V _{BUS} =4.25V, A _{Sel} =0V	f=1MHz, Figure 22	3.0	pF

Typical Characteristics

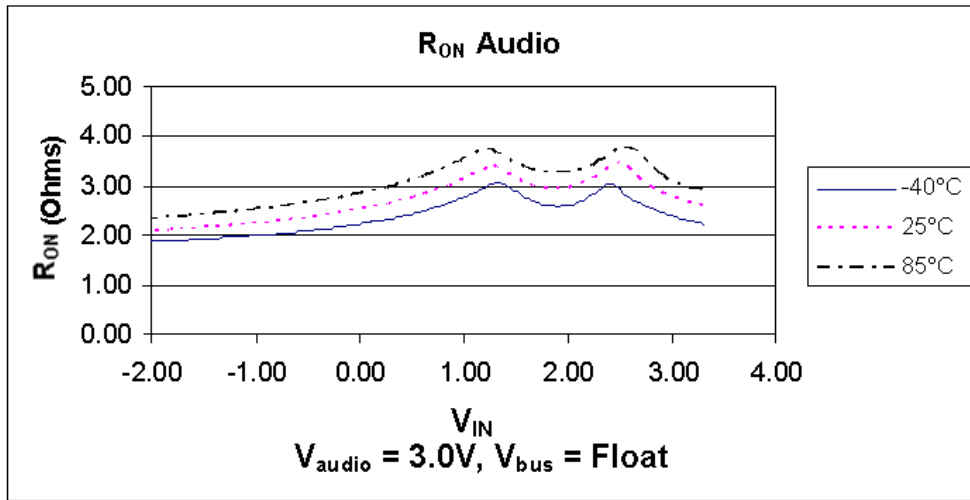


Figure 6. R_{ON} Audio, $V_{Audio}=3.0V$, $V_{BUS}=Float$

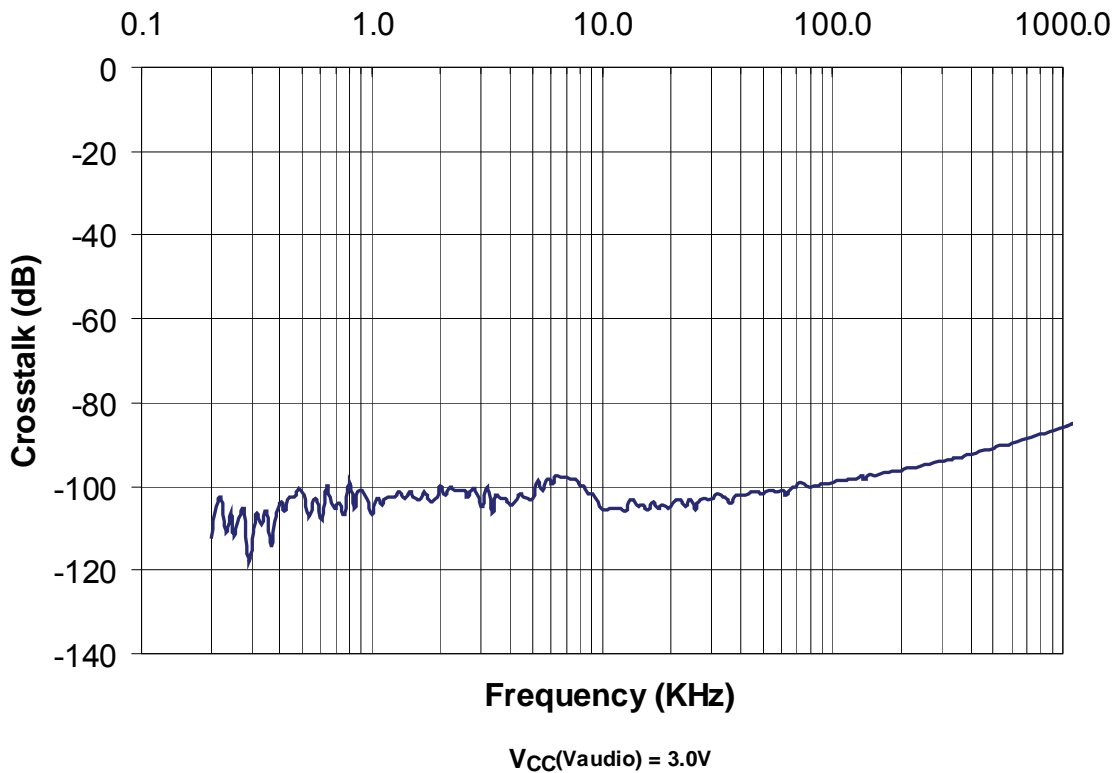


Figure 7. Non-Adjacent Channel Crosstalk – Audio

Typical Characteristics (Continued)

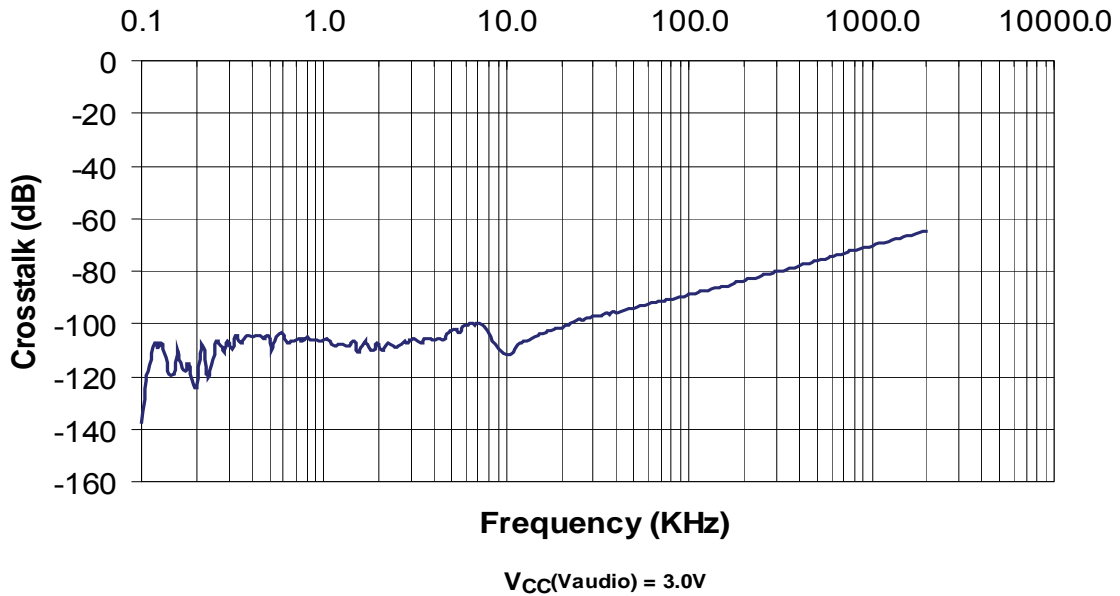


Figure 8. Off-Isolation – Audio

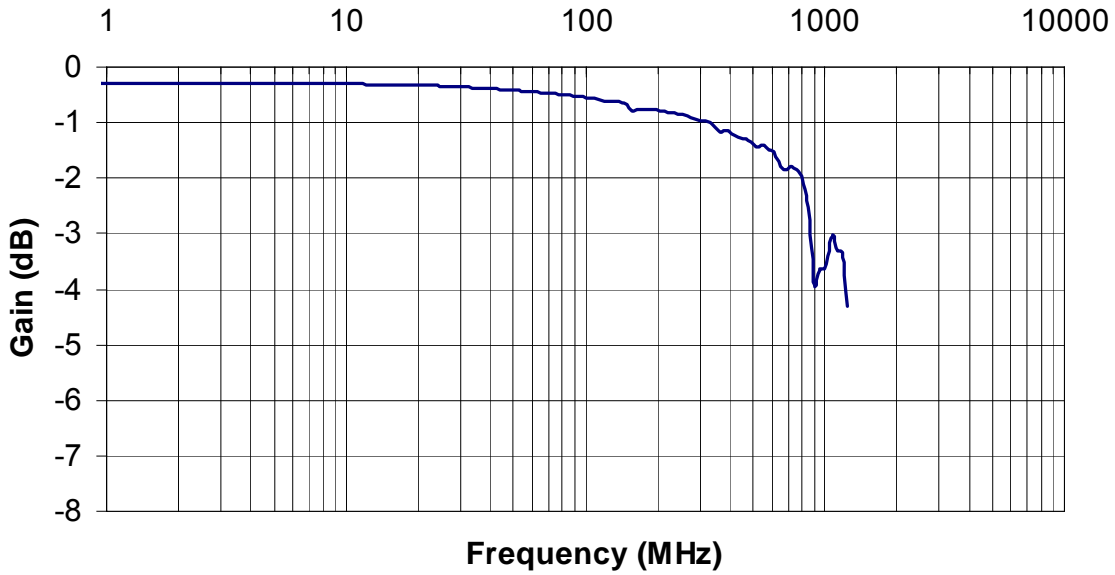


Figure #. Bandwidth Characterization, Frequency Response at $CL = 0pF, V_{CC}(V_{bus}) = 4.25V$

Figure 9. Bandwidth, Gain vs. Frequency – USB

Test Diagrams

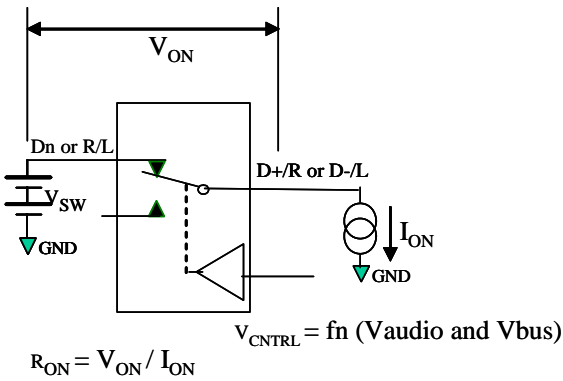


Figure 10. On Resistance

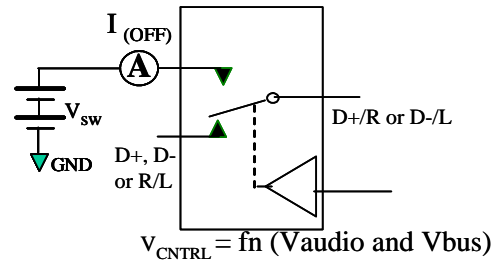


Figure 11. Off Leakage

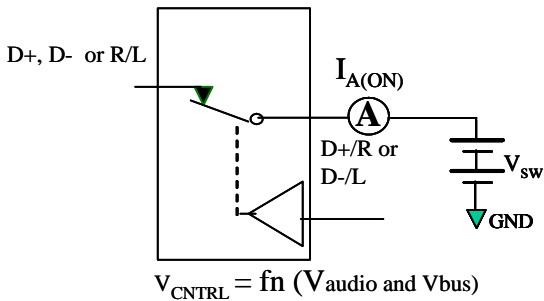
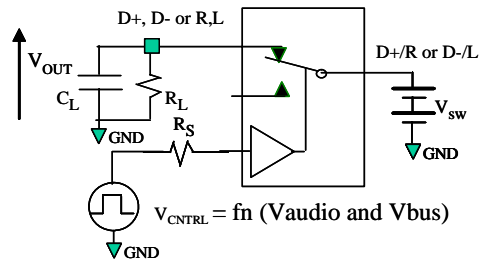


Figure 12. On Leakage



R_L , R_S and C_L are function of application environment (see AC Tables for specific values)
 C_L includes test fixture and stray capacitance

Figure 13. AC Test Circuit Load

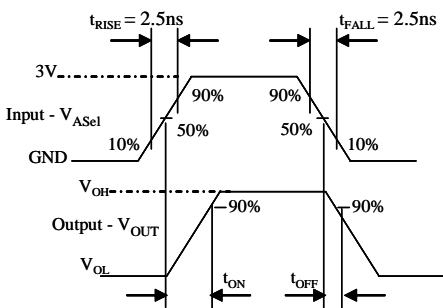


Figure 14. Turn-On / Turn-Off Waveforms (A_{Sel})

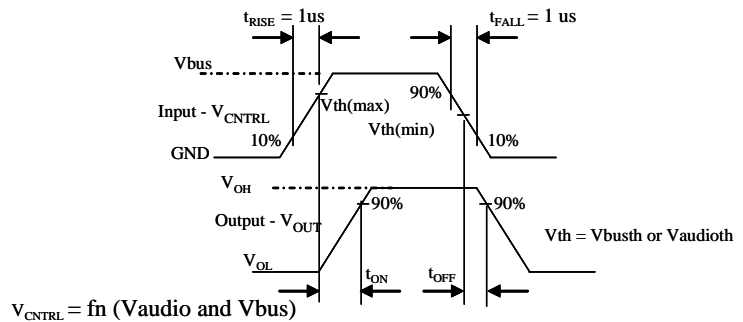


Figure 15. Turn-On / Turn-Off Waveforms (USB/Audio)

Test Diagrams (Continued)

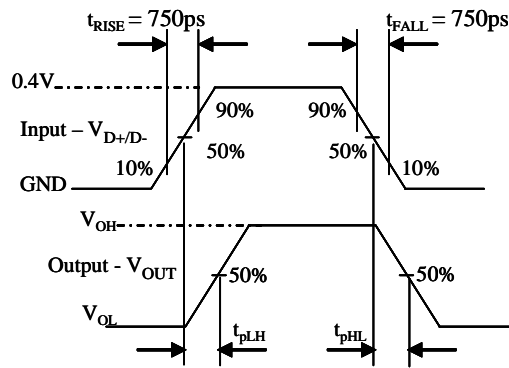


Figure 16. USB Switch Propagation Delay Waveforms

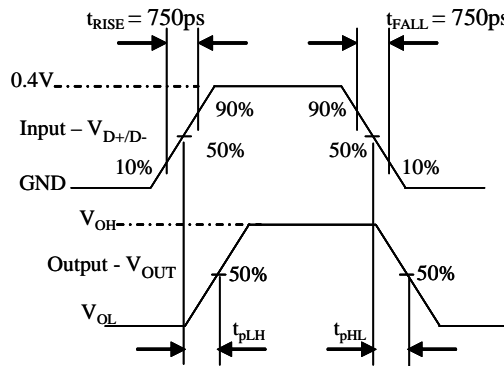


Figure 17. Pulse Skew: $t_{SK(P)} = |t_{pHL} - t_{pLH}|$

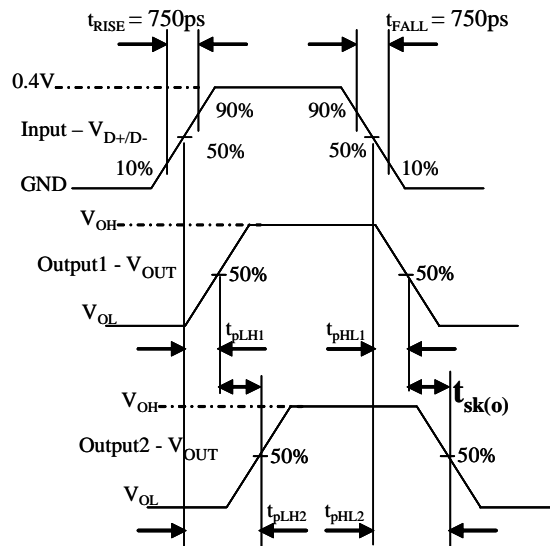


Figure 18. Output Skew: $t_{SK(O)} = |t_{pLH1} - t_{pLH2}|$ OR $|t_{pHL1} - t_{pHL2}|$

Test Diagrams (Continued)

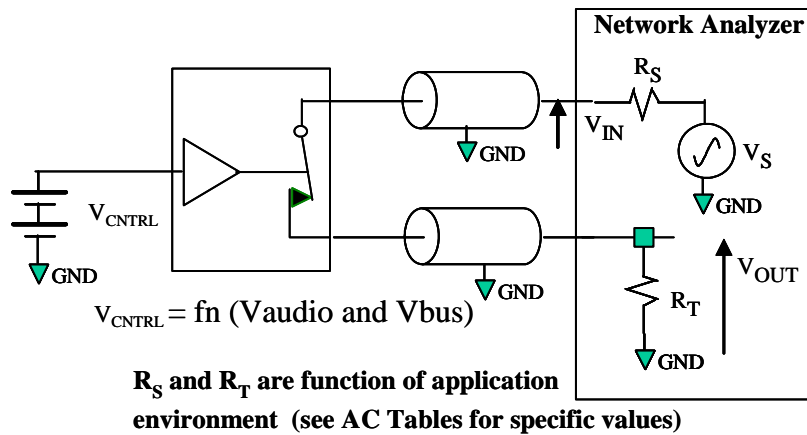


Figure 19. USB Bandwidth

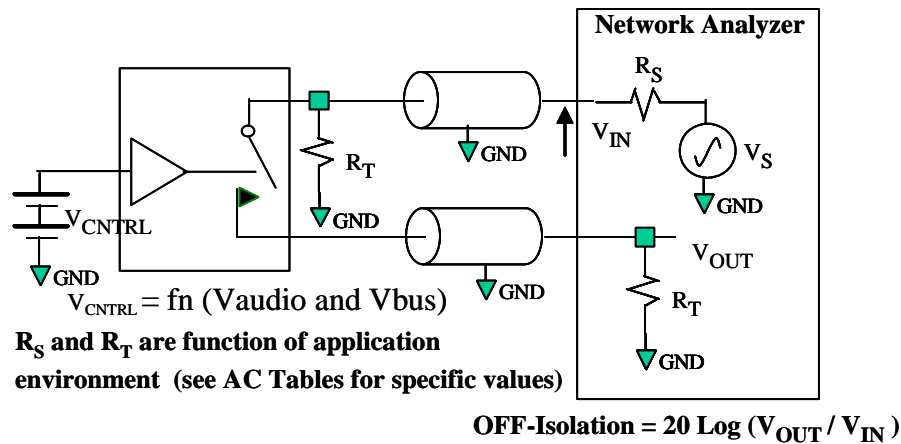


Figure 20. Channel Off Isolation

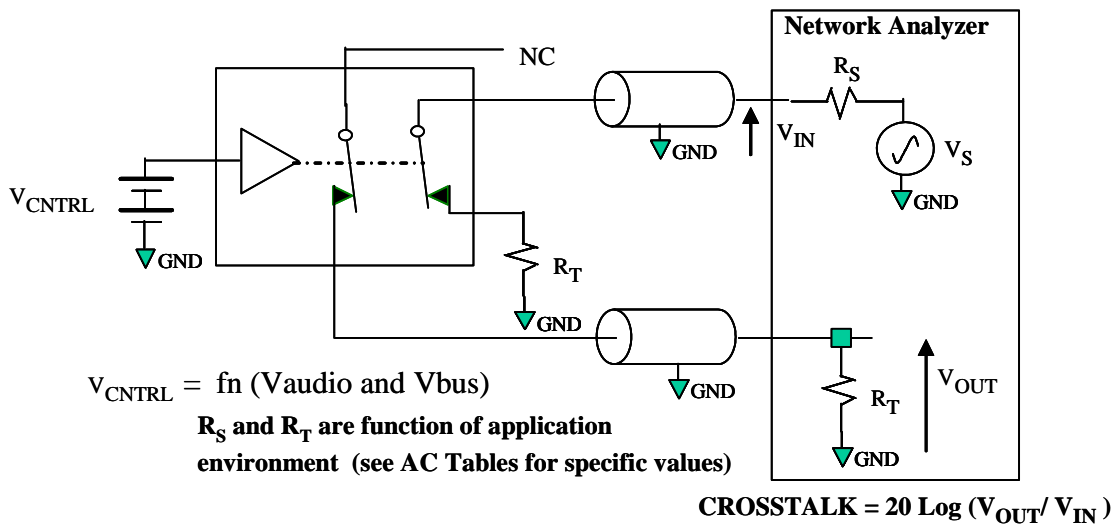


Figure 21. Non-Adjacent Channel-to-Channel Crosstalk

Test Diagrams (Continued)

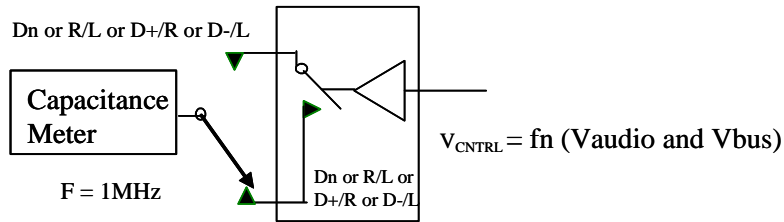


Figure 22. Channel Off Capacitance

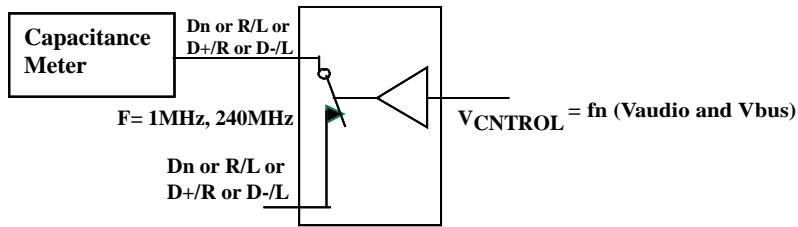


Figure 23. Channel On Capacitance

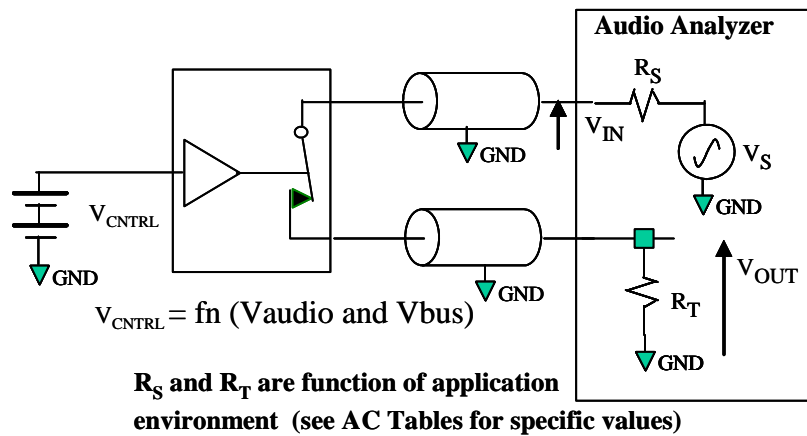


Figure 24. Total Harmonic Distortion

Physical Dimensions

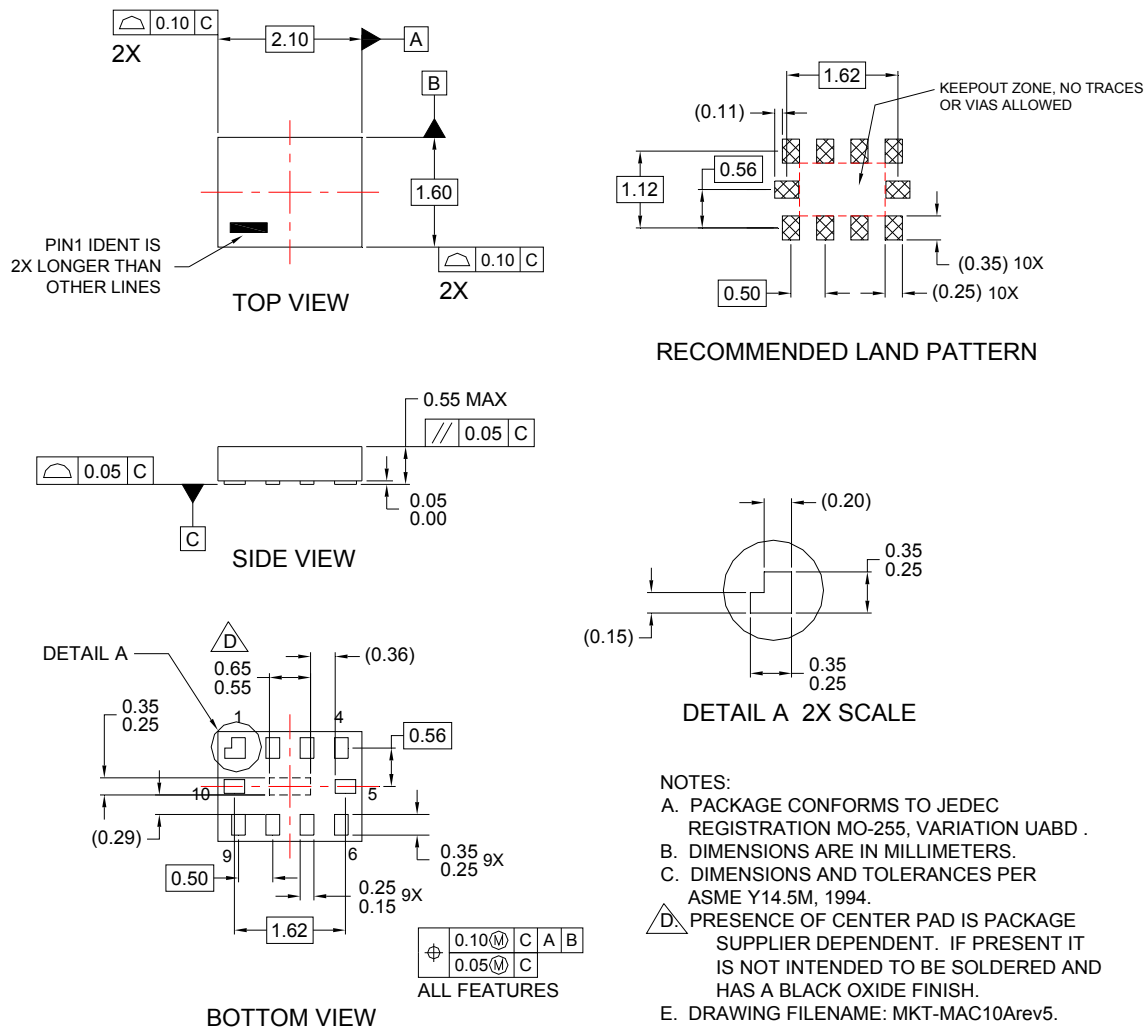


Figure 25. 10-Lead MicroPak™

Package Designator	Tape Section	Number Cavity	Cavity Status	Cover Tape Status
L10X	Leader (Start End)	125 (Typical)	Empty	Sealed
	Carrier	5000	Filled	Sealed
	Trailer (Hub End)	75 (Typical)	Empty	Sealed

Package drawings are provided as a service to customers considering Fairchild components. Drawings may change in any manner without notice. Please note the revision and/or date on the drawing and contact a Fairchild Semiconductor representative to verify or obtain the most recent revision. Package specifications do not expand the terms of Fairchild's worldwide terms and conditions, specifically the warranty therein, which covers Fairchild products.

Always visit Fairchild Semiconductor's online packaging area for the most recent package drawings:
<http://www.fairchildsemi.com/packaging/>.

For current tape and reel specifications, visit Fairchild Semiconductor's online packaging area:
http://www.fairchildsemi.com/products/logic/pdf/micropak_tr.pdf.

Physical Dimensions

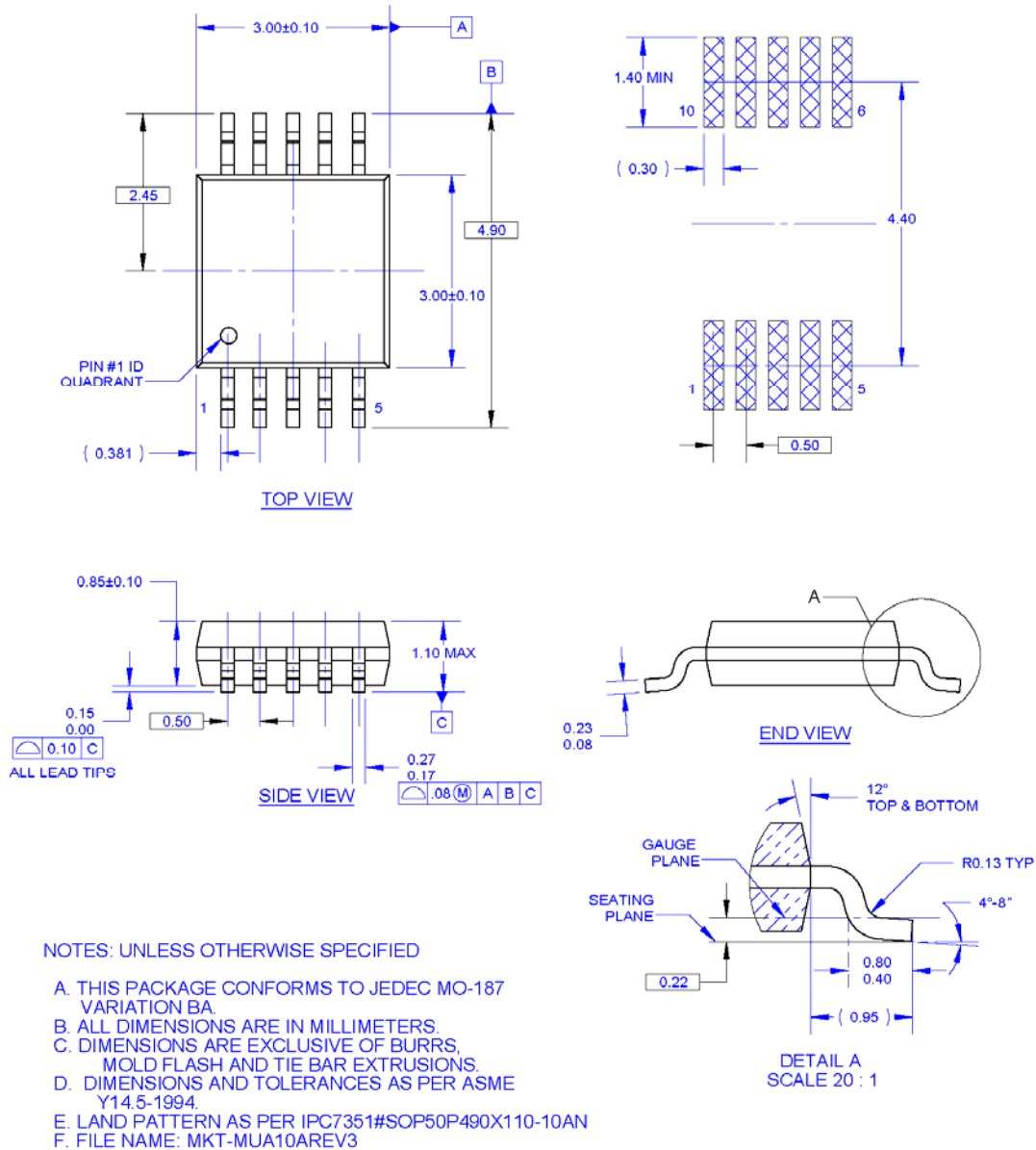


Figure 26. 10-Lead Molded Small Outline Package (MSOP)

Tape Size	A	B	C	D	N	W1	W2	W3
	13	0.059	0.512	0.795	7.008	0.448	0.724	0.486-0.606
(12mm)	(330)	(1.5)	(13)	(20.2)	(178)	(12.4)	(18.4)	(11.9-15.4)

Package drawings are provided as a service to customers considering Fairchild components. Drawings may change in any manner without notice. Please note the revision and/or date on the drawing and contact a Fairchild Semiconductor representative to verify or obtain the most recent revision. Package specifications do not expand the terms of Fairchild's worldwide terms and conditions, specifically the warranty therein, which covers Fairchild products.

Always visit Fairchild Semiconductor's online packaging area for the most recent package drawings:
<http://www.fairchildsemi.com/packaging/>.

For current tape and reel specifications, visit Fairchild Semiconductor's online packaging area:
http://www.fairchildsemi.com/products/analog/pdf/msop10_tr.pdf.

Physical Dimensions

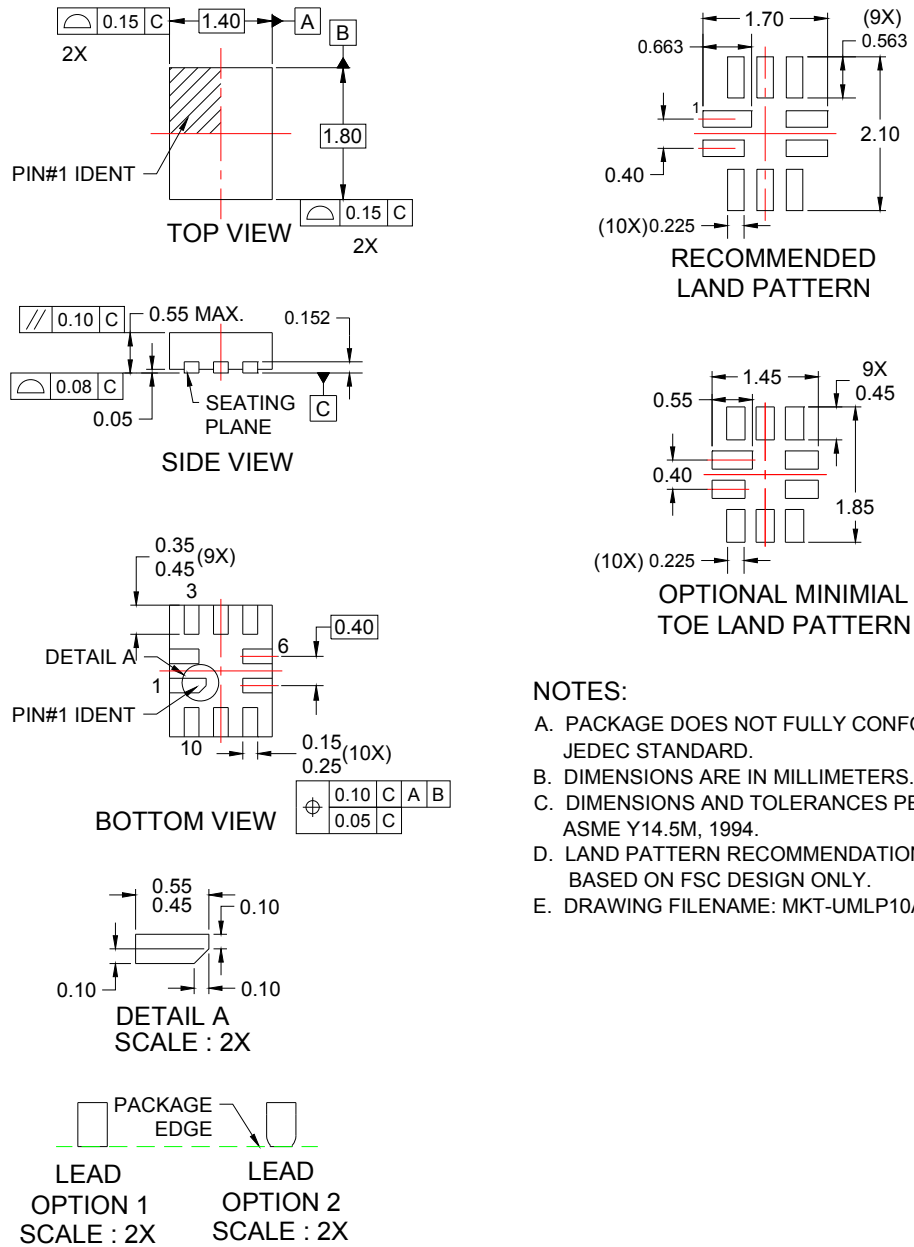


Figure 27. 10-Lead Quad, Ultrathin MLP, 1.4 x 1.8mm

Package drawings are provided as a service to customers considering Fairchild components. Drawings may change in any manner without notice. Please note the revision and/or date on the drawing and contact a Fairchild Semiconductor representative to verify or obtain the most recent revision. Package specifications do not expand the terms of Fairchild's worldwide terms and conditions, specifically the warranty therein, which covers Fairchild products.

Always visit Fairchild Semiconductor's online packaging area for the most recent package drawings:
<http://www.fairchildsemi.com/packaging/>.



TRADEMARKS

The following includes registered and unregistered trademarks and service marks, owned by Fairchild Semiconductor and/or its global subsidiaries, and is not intended to be an exhaustive list of all such trademarks.

2Cool™
AccuPower™
AX-CAP™*
BitSiC™
Build it Now™
CorePLUS™
CorePOWER™
CROSSVOLT™
CTL™
Current Transfer Logic™
DEUXPEED®
Dual Cool™
EcoSPARK®
EfficientMax™
ESBC™
F®
Fairchild®
Fairchild Semiconductor®
FACT Quiet Series™
FACT®
FAST®
FastvCore™
FETBench™
FlashWriter®*
FPS™

F-PFS™
FRFET®
Global Power Resource™
GreenBridge™
Green FPS™
Green FPS™ e-Series™
Gmax™
GTO™
IntelliMAX™
ISOPLANAR™
Making Small Speakers Sound Louder and Better™
MegaBuck™
MICROCOUPLER™
MicroFET™
MicroPak™
MicroPak2™
MillerDrive™
MotionMax™
Motion-SPM™
mWSaver™
OptoHiT™
OPTOLOGIC®
OPTOPLANAR®

PowerTrench®
PowerXS™
Programmable Active Droop™
QFET®
QS™
Quiet Series™
RapidConfigure™
™
Saving our world, 1mW/kW at a time™
SignalWise™
SmartMax™
SMART START™
Solutions for Your Success™
SPM®
STEALTH™
SuperFET®
SuperSOT™-3
SuperSOT™-6
SuperSOT™-8
SupreMOS®
SyncFET™
Sync-Lock™
 SYSTEM GENERAL®*

The Power Franchise®
the **power** franchise
TinyBoost™
TinyBuck™
TinyCalc™
TinyLogic®
TINYOPTO™
TinyPower™
TinyPWM™
TinyWire™
TranSiC™
TriFault Detect™
TRUECURRENT®*
µSerDes™
 SarDes™
UHC®
Ultra FRFET™
UniFET™
VCX™
VisualMax™
VoltagePlus™
XS™

* Trademarks of System General Corporation, used under license by Fairchild Semiconductor.

DISCLAIMER

FAIRCHILD SEMICONDUCTOR RESERVES THE RIGHT TO MAKE CHANGES WITHOUT FURTHER NOTICE TO ANY PRODUCTS HEREIN TO IMPROVE RELIABILITY, FUNCTION, OR DESIGN. FAIRCHILD DOES NOT ASSUME ANY LIABILITY ARISING OUT OF THE APPLICATION OR USE OF ANY PRODUCT OR CIRCUIT DESCRIBED HEREIN; NEITHER DOES IT CONVEY ANY LICENSE UNDER ITS PATENT RIGHTS, NOR THE RIGHTS OF OTHERS. THESE SPECIFICATIONS DO NOT EXPAND THE TERMS OF FAIRCHILD'S WORLDWIDE TERMS AND CONDITIONS, SPECIFICALLY THE WARRANTY THEREIN, WHICH COVERS THESE PRODUCTS.

LIFE SUPPORT POLICY

FAIRCHILD'S PRODUCTS ARE NOT AUTHORIZED FOR USE AS CRITICAL COMPONENTS IN LIFE SUPPORT DEVICES OR SYSTEMS WITHOUT THE EXPRESS WRITTEN APPROVAL OF FAIRCHILD SEMICONDUCTOR CORPORATION.

As used herein:

1. Life support devices or systems are devices or systems which, (a) are intended for surgical implant into the body or (b) support or sustain life, and (c) whose failure to perform when properly used in accordance with instructions for use provided in the labeling, can be reasonably expected to result in a significant injury of the user.
2. A critical component in any component of a life support, device, or system whose failure to perform can be reasonably expected to cause the failure of the life support device or system, or to affect its safety or effectiveness.

ANTI-COUNTERFEITING POLICY

Fairchild Semiconductor Corporation's Anti-Counterfeiting Policy. Fairchild's Anti-Counterfeiting Policy is also stated on our external website, www.fairchildsemi.com, under Sales Support.

Counterfeiting of semiconductor parts is a growing problem in the industry. All manufacturers of semiconductor products are experiencing counterfeiting of their parts. Customers who inadvertently purchase counterfeit parts experience many problems such as loss of brand reputation, substandard performance, failed applications, and increased cost of production and manufacturing delays. Fairchild is taking strong measures to protect ourselves and our customers from the proliferation of counterfeit parts. Fairchild strongly encourages customers to purchase Fairchild parts either directly from Fairchild or from Authorized Fairchild Distributors who are listed by country on our web page cited above. Products customers buy either from Fairchild directly or from Authorized Fairchild Distributors are genuine parts, have full traceability, meet Fairchild's quality standards for handling and storage and provide access to Fairchild's full range of up-to-date technical and product information. Fairchild and our Authorized Distributors will stand behind all warranties and will appropriately address any warranty issues that may arise. Fairchild will not provide any warranty coverage or other assistance for parts bought from Unauthorized Sources. Fairchild is committed to combat this global problem and encourage our customers to do their part in stopping this practice by buying direct or from authorized distributors.

PRODUCT STATUS DEFINITIONS

Definition of Terms

Datasheet Identification	Product Status	Definition
Advance Information	Formative / In Design	Datasheet contains the design specifications for product development. Specifications may change in any manner without notice.
Preliminary	First Production	Datasheet contains preliminary data; supplementary data will be published at a later date. Fairchild Semiconductor reserves the right to make changes at any time without notice to improve design.
No Identification Needed	Full Production	Datasheet contains final specifications. Fairchild Semiconductor reserves the right to make changes at any time without notice to improve the design.
Obsolete	Not In Production	Datasheet contains specifications on a product that is discontinued by Fairchild Semiconductor. The datasheet is for reference information only.

Rev. I61