

Smart Battery Module with LEDs

Features

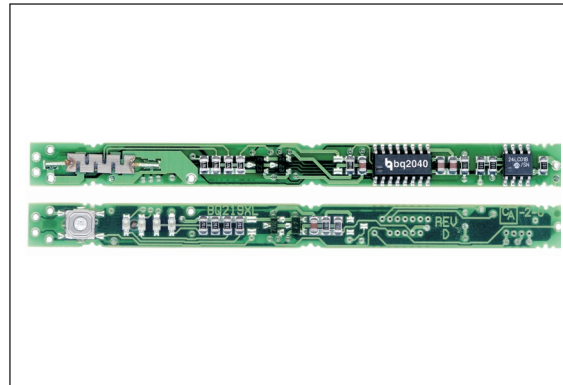
- Complete smart battery solution for NiCd, NiMH, and Li-Ion battery packs
- Based on the bq2092 or bq2040 Gas Gauge IC
- Ideal for DR35 or DR36 type packs
- Narrow board fits in the crevice formed by two adjacent battery packs
- Accurate measurement of available battery capacity
- Designed for battery pack integration:
 - Measures only 3.5 (L) x 0.3 (W) inches
 - Includes Gas Gauge IC, configuration EEPROM, and sense resistor
 - Four onboard state-of-charge LEDs with push-button activation
 - Low operating current for minimal battery drain
- Critical battery information available over two-wire serial port

General Description

The bq219XL Smart Battery Module provides a complete solution for the design of intelligent battery packs. The bq219XL uses the SMBus protocol and supports the Smart Battery Data commands in the SMB/SBD specifications. Designed for battery pack integration, the bq219XL combines the bq2092 or bq2040 Gas Gauge IC with a serial EEPROM on a small printed circuit board. The board includes all the necessary components to accurately monitor battery capacity and communicate critical battery parameters to the host system or battery charger. The bq219XL also includes four LEDs. The push-button switch activates the LEDs to show remaining battery capacity in 25% increments.

Contacts are provided on the bq219XL for direct connection to the battery stack (B+, B-) and the two-wire interface (C, D). Please refer to the bq2092 or bq2040 data sheet for specific information on the operation of the Gas Gauge and communication interface.

Unitrode configures the bq219XL based on the information requested in Table 1. The configuration defines the pack voltage, capacity, and chemistry and charge control



parameters. The Smart Battery Module uses the onboard sense resistor to track charge and discharge activity of the battery pack. Figure 1 shows how the module connects to the cells.

A module development kit is also available for the bq219XL. The bq219XLB-KT includes one configured module and the following:

- 1) An EV2200-92 or EV2200-40 interface board that allows connection to the serial port of any AT-compatible computer.
- 2) Menu-driven software to display charge/discharge activity and to allow user interface to the Gas Gauge IC and serial E²PROM from any standard Windows 95 or 3.1x PC.

Pin Descriptions

B+	BAT+/Battery positive/Pack positive
P-	PACK-/Pack negative
C	SMBC/Communications clock
D	SMBD/Serial data
B-	BAT-/Battery negative
STAT	STAT/No connect

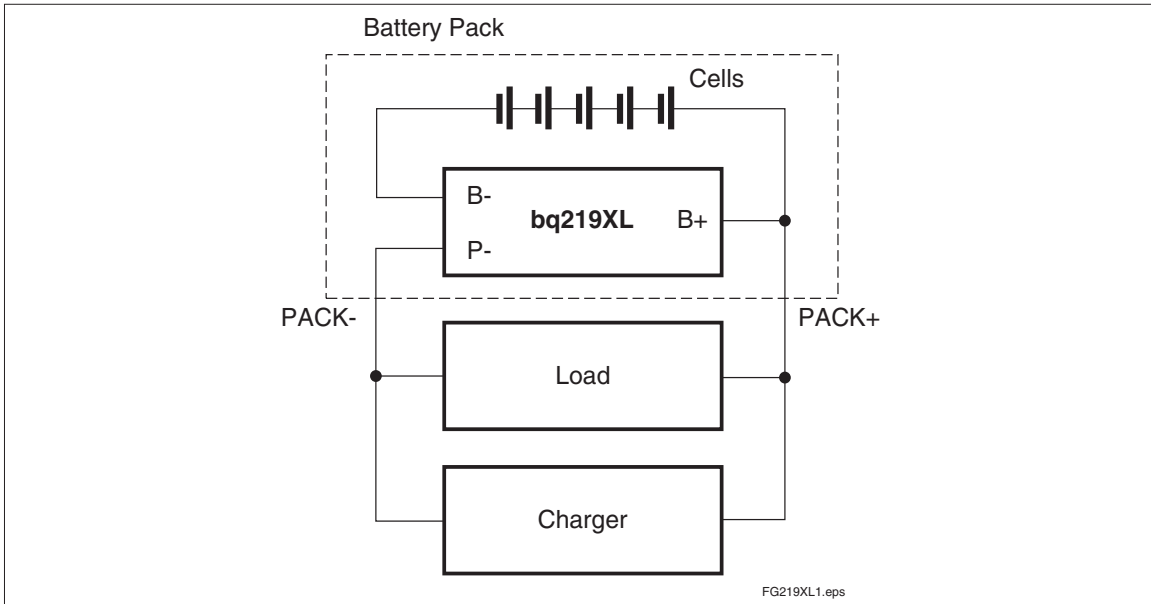


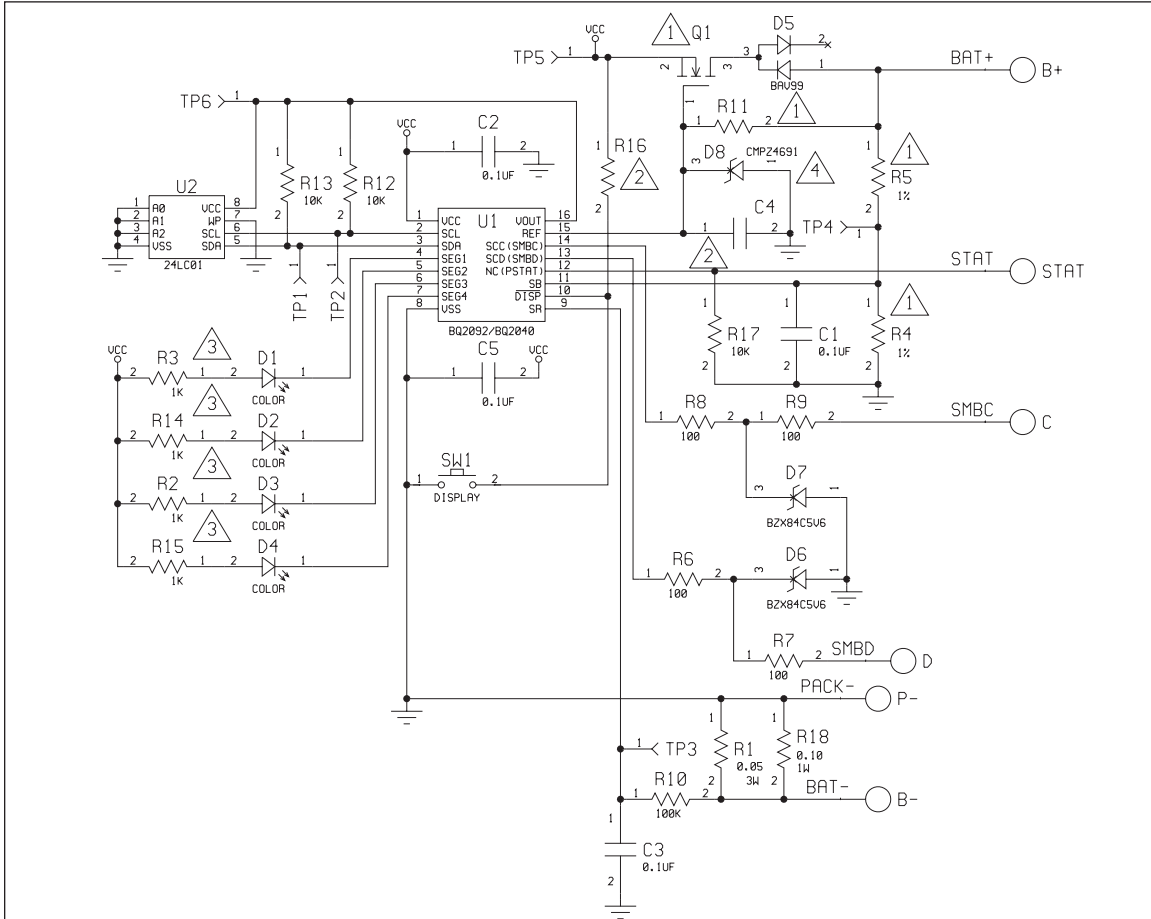
Figure 1. Module Connection Diagram

Table 1. bq219XL Module Configuration

Customer Name: _____					
Contact: _____			Phone: _____		
Address: _____					
Sales Contact: _____			Phone: _____		
Board Configuration					
IC type	_____	bq2040 or bq2092			
LEDs and switch	_____	Yes or No			
Display mode	_____	Relative or Absolute			
Discharge rate (3.0A max.)	Min _____	Avg _____	Max _____		
Duration at max. discharge	_____				
Number of series cells	_____				
EEPROM Configuration				Typical Values	
				NiMH	Li-Ion
Remaining time alarm (min)	_____	Sets the low time alarm level		10 min	10 min
Remaining capacity alarm (mAh)	_____	Sets the low capacity alarm level		C/10	C/10
Charging voltage (mV)	_____	Sets the requested charging voltage		65535	4.1V/cell
Design capacity (mAh)	_____	Defines the battery pack capacity		3000	3600
Design voltage (mV)	_____	Defines the battery pack voltage		12000	10800
Manufacturer date	_____	Battery pack manufacturer date		mm/dd/yy	mm/dd/yy
Serial number	_____	Battery pack serial number		0-65535	0-65535
Fast-charging current (mA)	_____	Sets the requested charging current		1C	1C
Maintenance charging current (mA)	_____	Sets the requested maintenance charging current		C/20	0
Li-Ion taper current (mA)	_____	Sets the upper limit for charge termination		NA	C/10
Maximum overcharge (mAh)	_____	Sets the maximum amount of overcharge		256mAh	128mAh
Maximum temperature (°C)	_____	Sets the maximum charge temperature		61°C	61°C
$\Delta T/\Delta t$ (°C/min)	_____	Sets the termination rate		3°C/3min	4.6°C/20s
Fast-charge efficiency (%)	_____	Sets the fast-charge efficiency factor		95%	100%
Maintenance charge efficiency (%)	_____	Sets the maintenance charge efficiency factor		80%	100%
Self-discharge rate (%/day)	_____	Sets the battery's self-discharge rate		1.5%/day	0.2%/day
EDV1 (mV)	_____	Sets the initial end-of-discharge warning		1.05V/cell	3.0V/cell
EDVF (mV)	_____	Sets the final end-of-discharge warning		1.0V/cell	2.8V/cell
Hold-off timer for $\Delta T/\Delta t$ (sec.)	_____	Sets the hold off period for $\Delta T/\Delta t$ termination		180s	320s
Manufacturer name	_____	Programs manufacturer's name (11 char. max)		bq	bq
Device name	_____	Programs device name (7 char. max)		bq36	bq202
Chemistry	_____	Programs pack's chemistry (5 char. max)		NiMH	LION
Manufacturer data	_____	Open field (5 char. max)		2040	2040
F&E Approval: _____				Date: _____	

bq219XL Preliminary

bq219XL Schematic



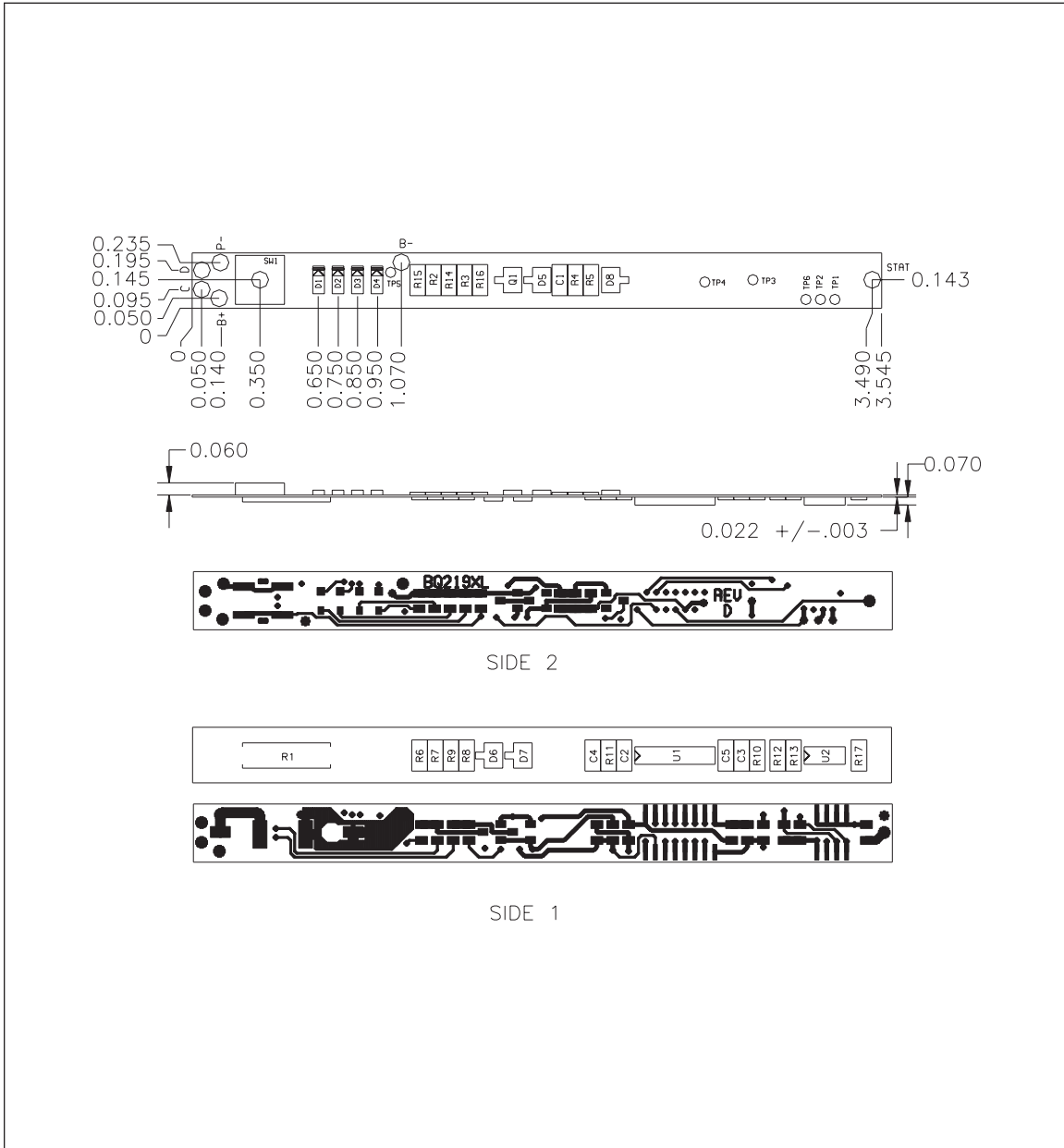
- 1 SEE CHART 1 FOR BQ2040 DEVICE VALUES. FOR BQ2092 CONSULT APPLICATIONS DEPT.
- 2 CUSTOMER SPECIFIED OPTION.
- 3 R2,R3,R14 AND R15 ARE 330 OHM FOR BQ2092
- 4 D8 IS REQUIRED FOR BQ2092. D8 MAY BE REQUIRED FOR BQ2040 OUTSIDE CELL COUNT RANGE SHOWN IN CHART 1.

1

CHART 1
FOR BQ2040 WITH NO D8

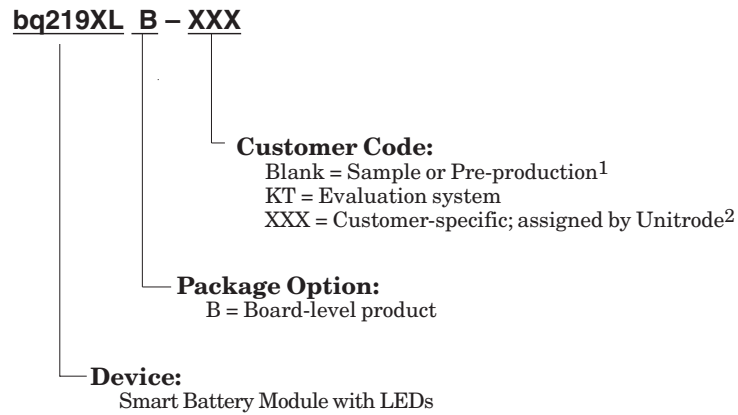
	# OF CELLS	R5	R11	R4	Q1
LITHION	2	301K	86.6K	100K	BSS138
	3	499K	909K	100K	2N7002
	4	698K	909K	100K	2N7002
NiMH	6	499K	162K	100K	BSS138
	8	698K	402K	100K	2N7002
	9	806K	604K	100K	2N7002
	10	909K	909K	100K	2N7002
	12	909K	1M	86.6K	2N7002

bq219XL Board



bq219XL Preliminary

Ordering Information



- Notes:**
1. Requires configuration sheet (see Table 1)
 2. Example production part number: bq219XLB-001

IMPORTANT NOTICE

Texas Instruments and its subsidiaries (TI) reserve the right to make changes to their products or to discontinue any product or service without notice, and advise customers to obtain the latest version of relevant information to verify, before placing orders, that information being relied on is current and complete. All products are sold subject to the terms and conditions of sale supplied at the time of order acknowledgement, including those pertaining to warranty, patent infringement, and limitation of liability.

TI warrants performance of its semiconductor products to the specifications applicable at the time of sale in accordance with TI's standard warranty. Testing and other quality control techniques are utilized to the extent TI deems necessary to support this warranty. Specific testing of all parameters of each device is not necessarily performed, except those mandated by government requirements.

CERTAIN APPLICATIONS USING SEMICONDUCTOR PRODUCTS MAY INVOLVE POTENTIAL RISKS OF DEATH, PERSONAL INJURY, OR SEVERE PROPERTY OR ENVIRONMENTAL DAMAGE ("CRITICAL APPLICATIONS"). TI SEMICONDUCTOR PRODUCTS ARE NOT DESIGNED, AUTHORIZED, OR WARRANTED TO BE SUITABLE FOR USE IN LIFE-SUPPORT DEVICES OR SYSTEMS OR OTHER CRITICAL APPLICATIONS. INCLUSION OF TI PRODUCTS IN SUCH APPLICATIONS IS UNDERSTOOD TO BE FULLY AT THE CUSTOMER'S RISK.

In order to minimize risks associated with the customer's applications, adequate design and operating safeguards must be provided by the customer to minimize inherent or procedural hazards.

TI assumes no liability for applications assistance or customer product design. TI does not warrant or represent that any license, either express or implied, is granted under any patent right, copyright, mask work right, or other intellectual property right of TI covering or relating to any combination, machine, or process in which such semiconductor products or services might be or are used. TI's publication of information regarding any third party's products or services does not constitute TI's approval, warranty or endorsement thereof.