

## NiCd or NiMH Gas Gauge Module with Fast-Charge Control

### Features

- Complete bq2004/bq2014 battery management solution for NiCd or NiMH pack
- Accurate battery state-of-charge monitoring
- Reliable fast charge termination
- Automatic full capacity calibration
- Battery information available over a single-wire bi-directional serial port
- Nominal capacity, cell chemistry, and charge control parameters pre-configured
- Compact size for battery pack integration

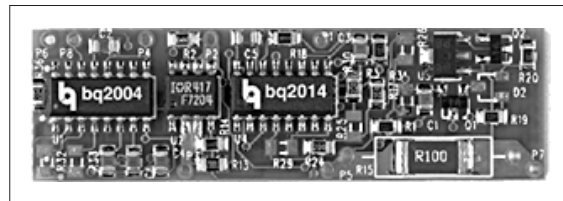
### General Description

The bq2164 Gas Gauge Module provides a complete and compact battery management solution for NiCd and NiMH battery packs. Designed for battery pack integration, the bq2164 combines the bq2014 Gas Gauge IC with the bq2004 Fast-Charge IC on a small printed circuit board. The board includes all the necessary components to accurately monitor the capacity and reliably terminate fast charge of 5 to 10 series cells.

The gas gauge IC uses the onboard sense resistor to track charge and discharge activity of the battery pack. The fast charge IC gates a current-limited or constant-current charging supply connected to PACK+. Charging termination is based on  $\Delta T/\Delta t$  or  $-\Delta V/PVD$ , maximum temperature, time, and voltage. The bq2004 signals charge completion to the bq2014 to indicate full capacity. The charge complete signal to the gas gauge eliminates the need to fully cycle the battery pack to initially calibrate full pack capacity.

Contacts are provided on the bq2164 for direct connection to the battery stack (BAT+, BAT-), the gas gauge's communications port (DQ), and the thermistor (THERM+, THERM). The thermistor is required for temperature fast charge termination. Please refer to the bq2004 and bq2014 data sheets for the specifics on the operation of the gas gauge and the fast charge ICs.

Unitrode configures the bq2164 based on the information requested in Table 1. The configuration defines the number of series cells, the nominal battery pack capacity, the self-discharge rate, and the fast charge control parameters. The control parameters depend on the charge rate, cell chemistry and termination technique



specified in the configuration table. They consist of the fast charge hold-off, safety timers, and the pulse trickle rate as shown in the bq2004 data sheet. The bq2164 is optimized for temperature termination with the thermistor provided with the development kit. Figure 1 shows how the module connects to the cells.

The sense resistor value and type should also be specified on the configuration sheet. The two options available are a 3W through-hole type or a 1W surface-mount type. Please refer to the application note entitled "A Tutorial for Gas Gauging" to select the proper value.

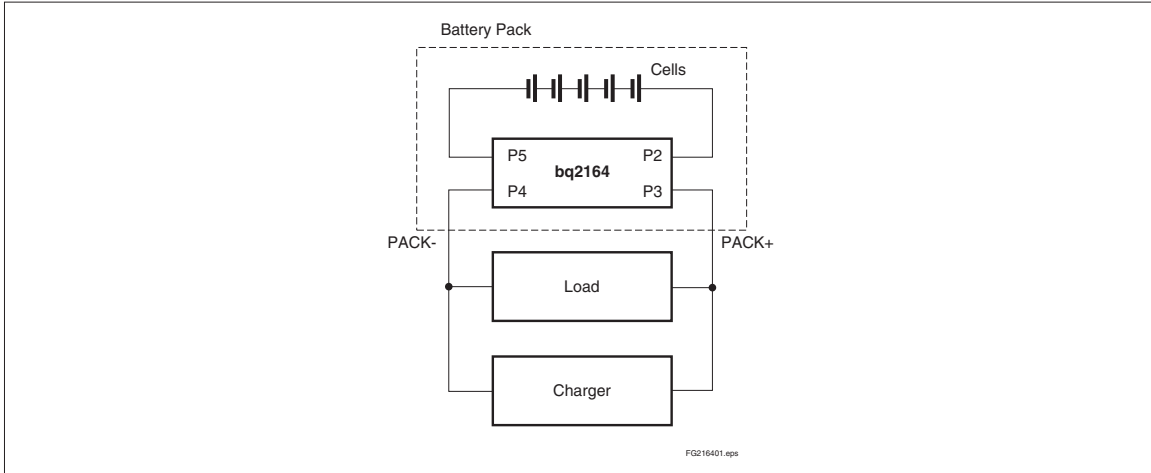
A module development kit is also available for the bq2164. The bq2164B-KT includes one configured module and the following:

- 1) A serial interface board that allows connection to the RS-232 port of an AT-compatible computer.
- 2) Menu-driven software with the bq2164 to display charge/discharge activity and to allow user interface to the bq2014 from any standard DOS PC.
- 3) Source code for the TSR.
- 4) A Philips 10K NTC Thermistor type 2322-640-63103.

### Pin Description

<b>P1</b>	<b>DQ/Serial communication port</b>
<b>P2</b>	<b>BAT+/Battery positive</b>
<b>P3</b>	<b>PACK+/Pack positive</b>
<b>P4</b>	<b>PACK-/Pack negative</b>
<b>P5</b>	<b>BAT-/Battery negative</b>
<b>P6</b>	<b>THERM+/Thermistor positive</b>
<b>P7</b>	<b>THERM-/Thermistor negative</b>
<b>P8</b>	<b>MOD/Fast charge control output</b>

# bq2164



**Figure 1. Module Connection Diagram**

**Table 1. bq2164 Module Configuration**

Customer Name: \_\_\_\_\_

Contact: \_\_\_\_\_ Phone: \_\_\_\_\_

Address: \_\_\_\_\_

\_\_\_\_\_

Sales Contact: \_\_\_\_\_ Phone: \_\_\_\_\_

Number of series battery cells (5-10) \_\_\_\_\_

Battery type (NiCd or NiMH) \_\_\_\_\_

Battery pack capacity (mAh) \_\_\_\_\_

Discharge rate into load (2.0A max.) Min. \_\_\_\_\_ Avg. \_\_\_\_\_ Max. \_\_\_\_\_

Sense resistor type:  
(Thru-hole (3W) or surface-mount (1W)) \_\_\_\_\_

Sense resistor size in mΩ (0.1Ω standard) \_\_\_\_\_

Fast charge current (2.0A max.) \_\_\_\_\_

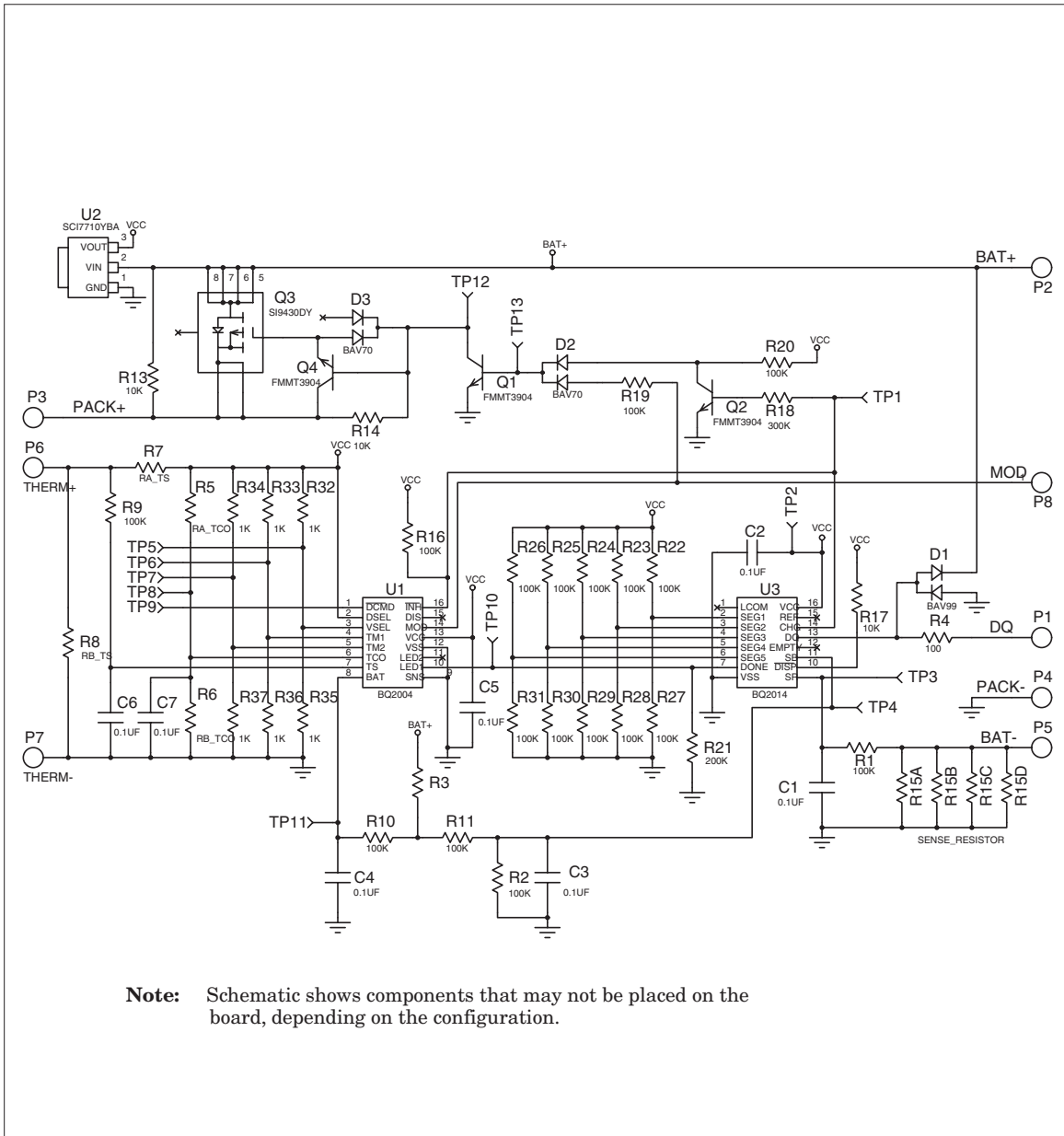
Charge voltage (V) \_\_\_\_\_

Temperature termination (enabled/disabled) \_\_\_\_\_

PVD or -ΔV termination \_\_\_\_\_

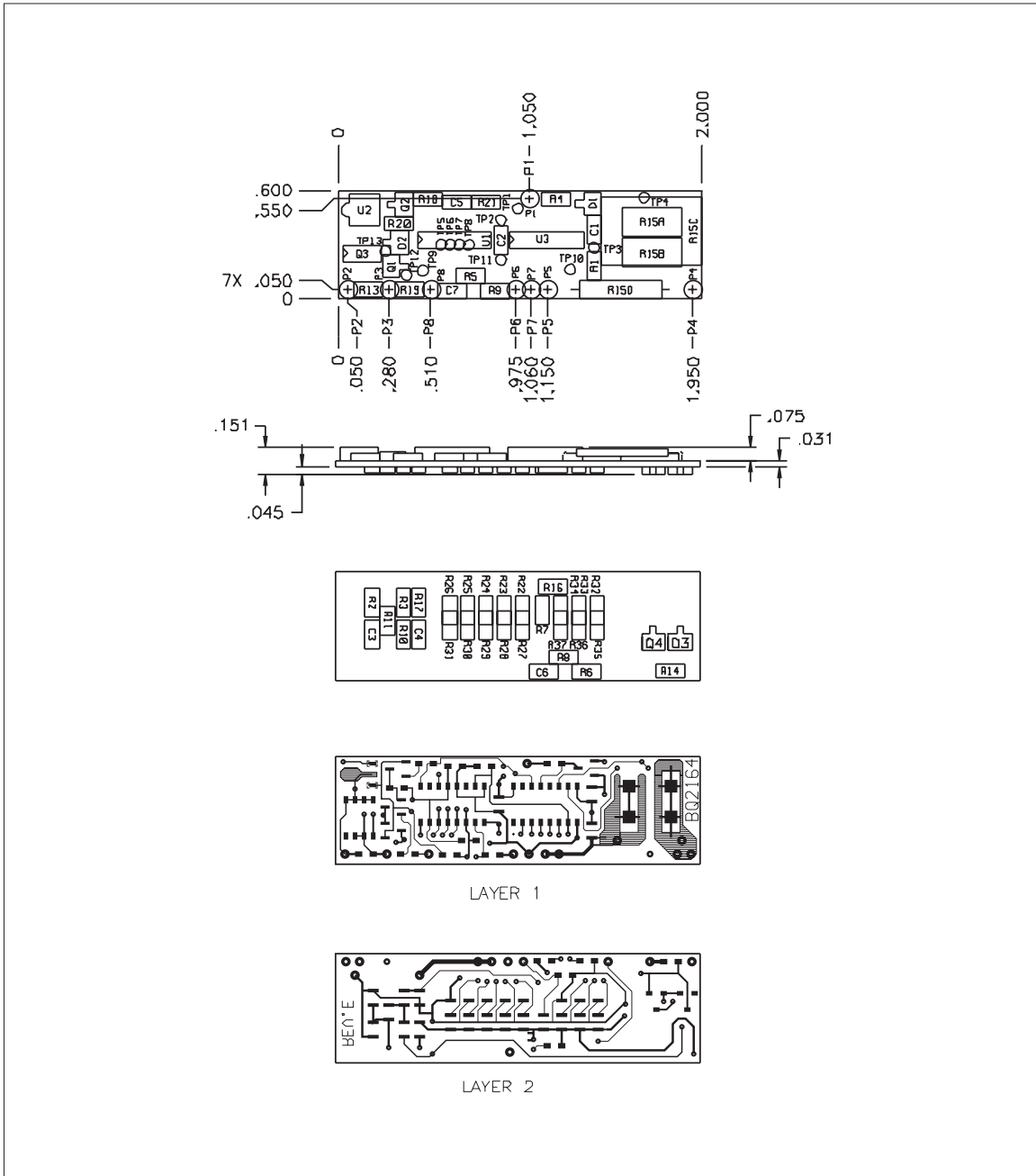
FAE Approval \_\_\_\_\_ Date \_\_\_\_\_

bq2164 Schematic



# bq2164

## bq2164 Board



## Absolute Maximum Ratings

Symbol	Parameter	Minimum	Maximum	Unit	Notes
PSR	Continuous sense resistor power dissipation	-	3	W	Thru-hole sense resistor
		-	1	W	Surface-mount sense resistor
VCHG	Charging voltage	-	20	V	
TOPR	Operating temperature	0	+70	°C	Commercial
TSTR	Storage temperature	-40	+85	°C	

**Note:** Permanent device damage may occur if **Absolute Maximum Ratings** are exceeded. Functional operation should be limited to the Recommended DC Operating Conditions detailed in this data sheet. Exposure to conditions beyond the operational limits for extended periods of time may affect device reliability.

## DC Electrical Characteristics (TA = TOPR)

Symbol	Parameter	Minimum	Typical	Maximum	Unit	Conditions/Notes
NumCell	Number of cells in battery pack	5	-	10	-	
BAT+	Positive terminal of pack	GND	NumCell * 1.2V	NumCell * 1.8V	V	
BAT-	Negative terminal of pack	GND - 0.3	-	GND+2.0	V	
ICC	Supply current at BAT+ terminal (no external loads)	-	200	300	μA	
ICHG	Charge current	-	-	2	A	
IDSCHG	Discharge current	-	-	2	A	
RDQ	Internal pull-down	500k	-	-	Ω <sup>1</sup>	
IOL	Open-drain sink current DQ	-	-	5.0	mA <sup>1</sup>	
VOL	Open-drain output low, DQ	-	-	0.5	V <sup>1</sup>	IOL < 5mA
VIHDQ	DQ input high	2.5	-	-	V <sup>1</sup>	
VIHDQ	DQ input low	-	-	0.8	V <sup>1</sup>	
VOS	Voltage offset			150	μV <sup>1</sup>	

**Note:** 1. Characterized on PCB, IC 100% tested.

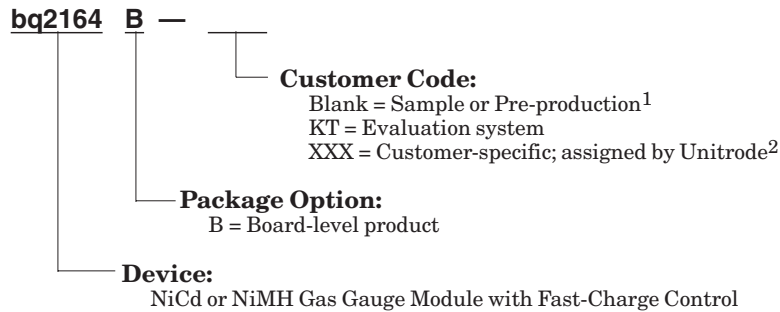
# bq2164

## DC Voltage and Temperature Thresholds (T<sub>A</sub> = T<sub>OPR</sub>)

Symbol	Parameter	Minimum	Typical	Maximum	Unit	Notes
VEDVF	Final empty warning	0.93	0.95	0.97	V	BAT+/NumCell <sup>1</sup>
VEDV1	First empty warning	1.03	1.05	1.07	V	BAT+/NumCell <sup>1</sup>
V <sub>M</sub> CV	Maximum single-cell voltage	2.20	2.25	2.30	V	BAT+/NumCell <sup>1</sup>
V <sub>S</sub> RO	SR sense range	-300	-	+2000	mV	V <sub>SR</sub> + V <sub>OS</sub> <sup>2</sup>
V <sub>S</sub> RQ	Valid charge	375	-	-	μV	V <sub>SR</sub> + V <sub>OS</sub> <sup>2, 3</sup>
V <sub>S</sub> RD	Valid discharge	-	-	-300	μV	V <sub>SR</sub> + V <sub>OS</sub> <sup>2, 3</sup>
V <sub>S</sub> R1	Discharge compensation threshold	-120	-150	-180	mV	V <sub>SR</sub> + V <sub>OS</sub> <sup>2</sup>
T <sub>L</sub> TF	Low-temperature charging fault	-	10	-	°C	Low-temperature charge inhibit/terminate <sup>4</sup>
T <sub>H</sub> TF	High-temperature charging fault	-	45	-	°C	High-temperature charge inhibit
V <sub>E</sub> DVC	Minimum charging cell voltage	-	1	-	V	Minimum cell voltage to initiate charge
V <sub>M</sub> CVC	Maximum charging cell voltage	-	2	-	V	Maximum cell voltage to initiate or continue charge
R <sub>ΔT/Δt</sub>	ΔT/Δt charge termination rate	-	1	-	°C/ min.	@ 30°C
T <sub>T</sub> CO	Maximum charging temperature	-	50	-	°C	High-temperature charge termination

- Notes:**
1. At SB input of bq2014.
  2. At SR input of bq2014.
  3. Default value; value set in DMF register.
  4. PVD termination disables the low-temperature fault charge termination.

## Ordering Information



- Notes:**
1. Requires configuration sheet (Table 1)
  2. Example production part number: bq2164B-001

## **IMPORTANT NOTICE**

Texas Instruments and its subsidiaries (TI) reserve the right to make changes to their products or to discontinue any product or service without notice, and advise customers to obtain the latest version of relevant information to verify, before placing orders, that information being relied on is current and complete. All products are sold subject to the terms and conditions of sale supplied at the time of order acknowledgement, including those pertaining to warranty, patent infringement, and limitation of liability.

TI warrants performance of its semiconductor products to the specifications applicable at the time of sale in accordance with TI's standard warranty. Testing and other quality control techniques are utilized to the extent TI deems necessary to support this warranty. Specific testing of all parameters of each device is not necessarily performed, except those mandated by government requirements.

**CERTAIN APPLICATIONS USING SEMICONDUCTOR PRODUCTS MAY INVOLVE POTENTIAL RISKS OF DEATH, PERSONAL INJURY, OR SEVERE PROPERTY OR ENVIRONMENTAL DAMAGE ("CRITICAL APPLICATIONS"). TI SEMICONDUCTOR PRODUCTS ARE NOT DESIGNED, AUTHORIZED, OR WARRANTED TO BE SUITABLE FOR USE IN LIFE-SUPPORT DEVICES OR SYSTEMS OR OTHER CRITICAL APPLICATIONS. INCLUSION OF TI PRODUCTS IN SUCH APPLICATIONS IS UNDERSTOOD TO BE FULLY AT THE CUSTOMER'S RISK.**

In order to minimize risks associated with the customer's applications, adequate design and operating safeguards must be provided by the customer to minimize inherent or procedural hazards.

TI assumes no liability for applications assistance or customer product design. TI does not warrant or represent that any license, either express or implied, is granted under any patent right, copyright, mask work right, or other intellectual property right of TI covering or relating to any combination, machine, or process in which such semiconductor products or services might be or are used. TI's publication of information regarding any third party's products or services does not constitute TI's approval, warranty or endorsement thereof.