

NiCd Gas Gauge Module with LEDs for High Discharge Rates

Features

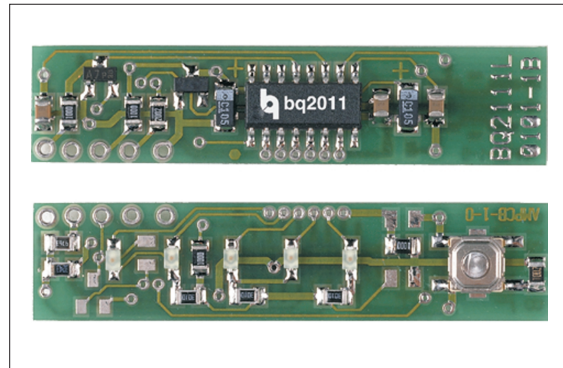
- Complete bq2011 Gas Gauge solution for NiCd packs in high discharge rate applications
- Five surface-mounted LEDs to display state-of-charge information
- Battery state-of-charge monitoring for 4- to 12-cell series applications
- On-board regulator allows direct connection to the battery
- Battery information available over a single-wire bidirectional serial port
- Nominal capacity pre-configured
- Compact size for battery pack integration

General Description

The bq2111L Gas Gauge Module provides a complete and compact solution for capacity monitoring of NiCd battery packs in high discharge rate applications such as power tools. Designed for battery pack integration, the bq2111L incorporates a bq2011 Gas Gauge IC, five surface-mounted LEDs, and the other discrete components necessary to monitor and display accurately the capacity of 4- to 12-series cells. The only external component required is a low-value sense resistor connected between GND and PACK-. Contacts are also provided on the bq2111L for direct connection to the battery stack and the serial communications port (DQ). The battery stack should be connected between BAT+ and GND. Please refer to the bq2011 data sheet for the specifics on the operation of the Gas Gauge.

Unitrode configures the bq2111L based on the information requested in Table 1. The configuration defines the number of series cells and the nominal battery pack capacity. The bq211L module uses the absolute LED display to indicate battery capacity. In this mode, the remaining capacity is represented as a percentage of the programmed capacity.

The bq2111L can operate directly from four series cells within the pack using the LBAT+ supply input. For four series cell applications or applications using the on-board regulator, LBAT+ should be connected to BAT+. Please refer to Figure 1 for module connection illustrations.



A module development kit is also available for the bq2111L. The bq2111LB-KT includes one configured module and the following:

- 1) An interface board that allows connection to the serial port of an AT-compatible computer.
- 2) Menu-driven software with the bq2111L to display charge/discharge activity and to allow user interface to the bq2011 from any standard DOS PC.
- 3) Source code for the TSR.

Pin Descriptions

P1	DQ/Serial communication port
P2	BAT+/Battery positive/Pack positive
P3	LBAT+/Four-cell power
P4	PACK-/Pack negative
P5	GND/Ground

bq2111L

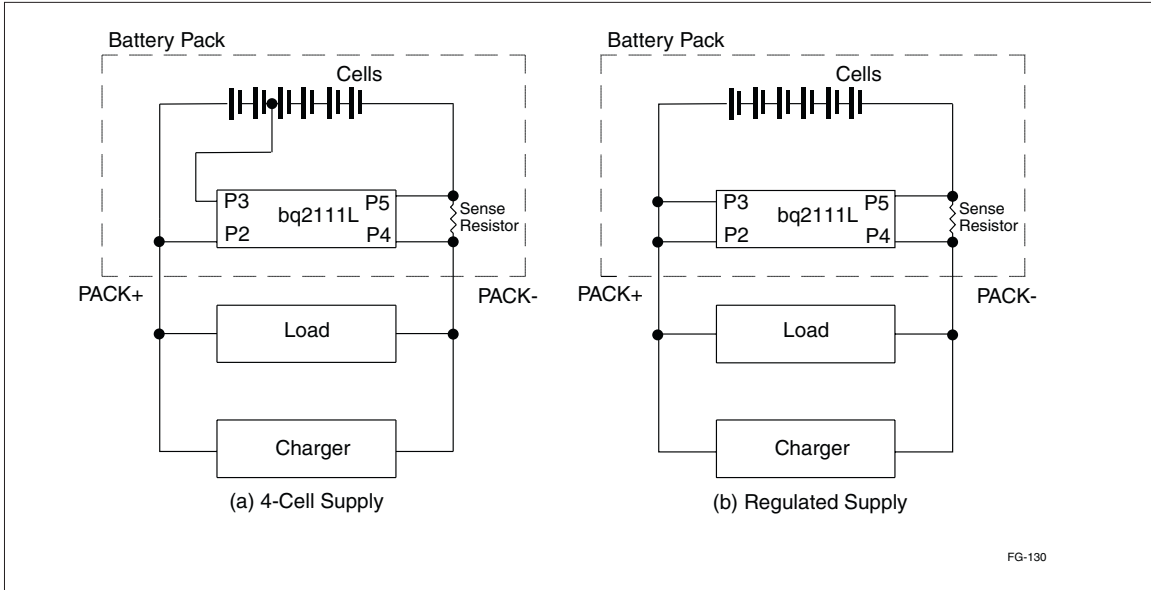


Figure 1. Module Connection Diagram

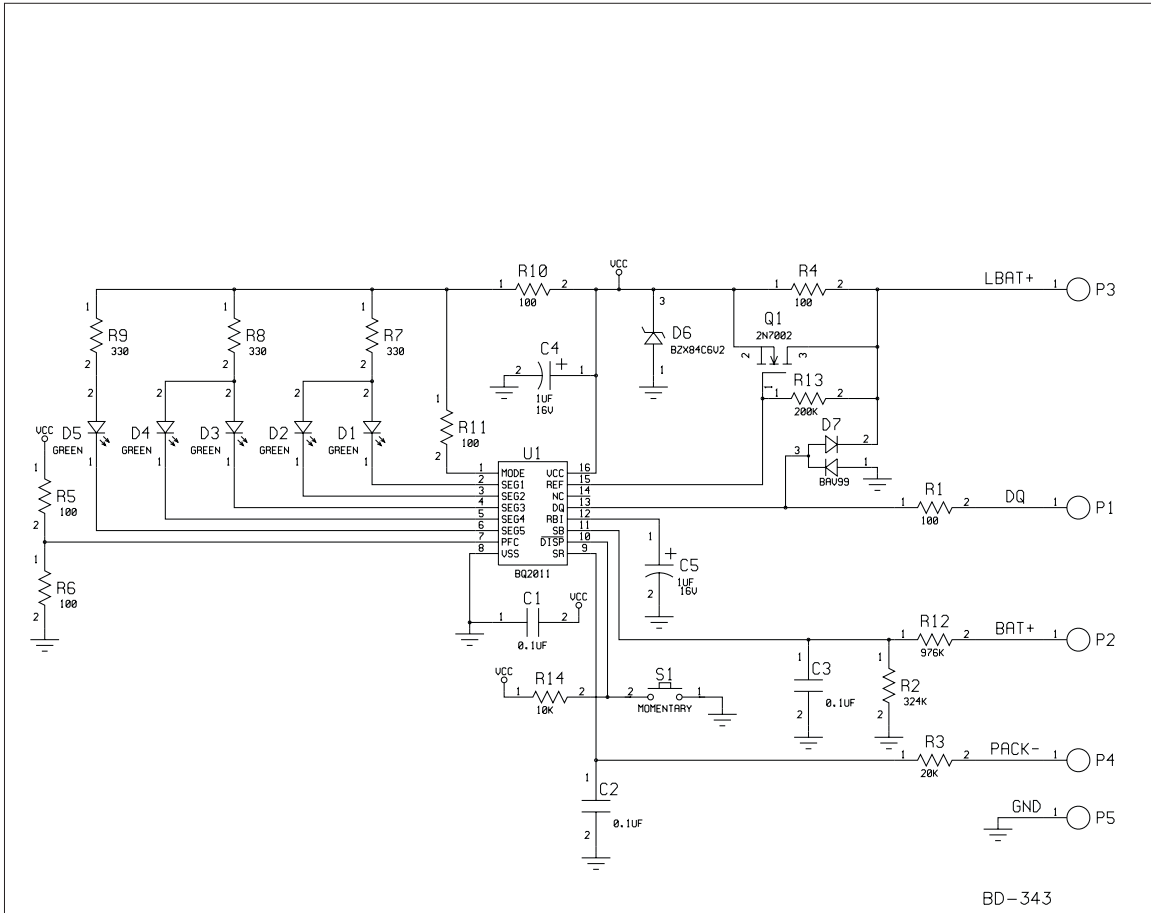
Table 1. bq2111L Module Configuration

Customer Name:	_____		
Contact:	_____	Phone:	_____
Address:	_____		

Sales Contact:	_____	Phone:	_____
Number of series battery cells (4–12)	_____		
Sense resistor size in $m\Omega^1$	_____		
Battery pack capacity (mAh)	_____		
Discharge rate(A)	Min. _____	Avg. _____	Max. _____
Charge rate (A)	_____		
FAE approval:	_____	Date:	_____

Note: 1. Sense resistor is not included with board.

bq2111L Example Schematic

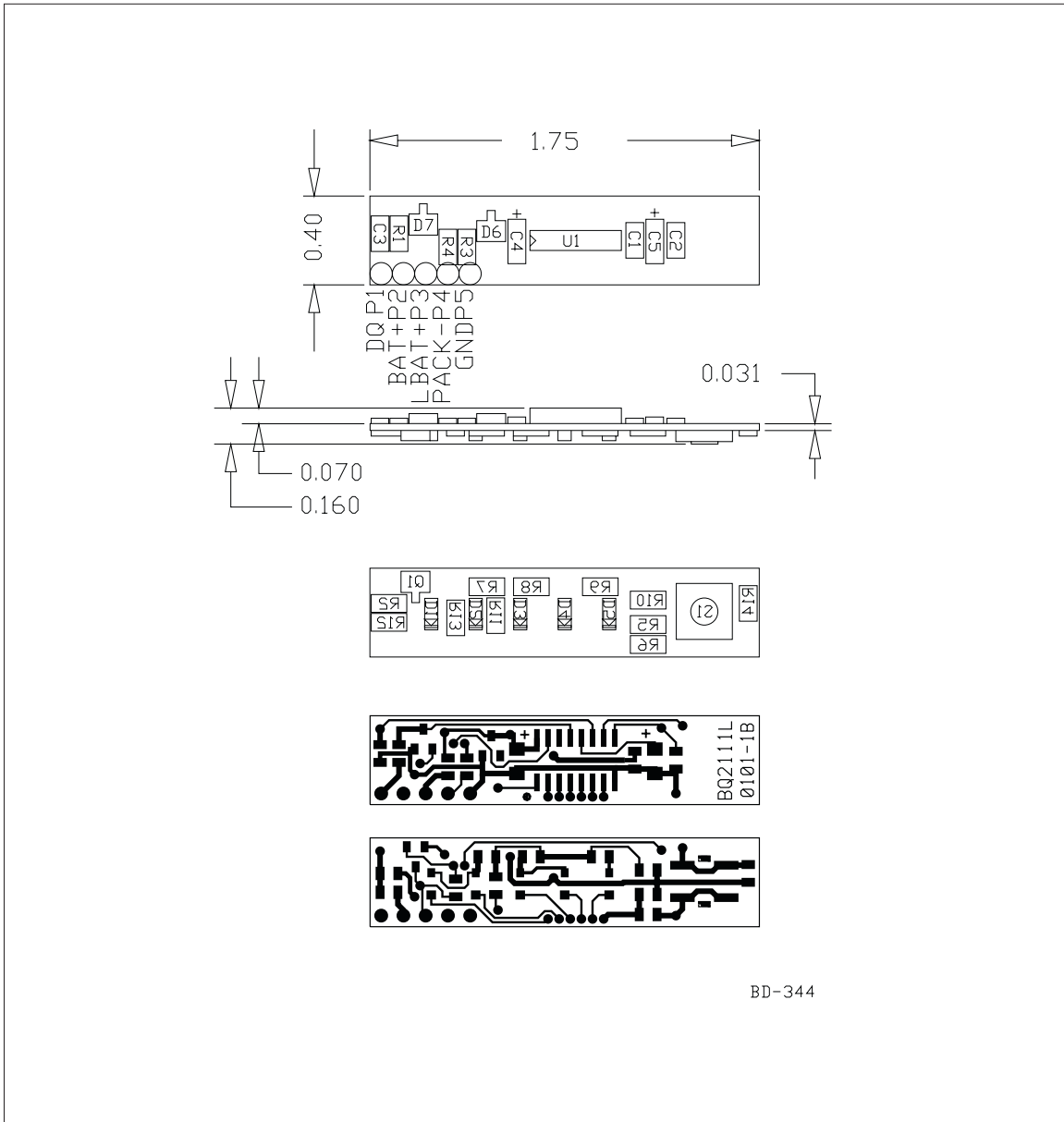


BD-343

Note: Schematic shows components which may not be placed on the board, depending upon the configuration.

bq2111L

bq2111L Board



BD-344

Absolute Maximum Ratings

Symbol	Parameter	Minimum	Maximum	Unit	Notes
V _{CC}	Relative to V _{SS}	-0.3	+7.0	V	bq2011
All other pins	Relative to V _{SS}	-0.3	+7.0	V	bq2011
T _{OPR}	Operating temperature	0	+70	°C	Commercial
T _{STR}	Storage temperature	-40	+85	°C	

Note: Permanent device damage may occur if **Absolute Maximum Ratings** are exceeded. Functional operation should be limited to the Recommended DC Operating Conditions detailed in this data sheet. Exposure to conditions beyond the operational limits for extended periods of time may affect device reliability.

DC Electrical Characteristics (T_A = T_{OPR})

Symbol	Parameter	Minimum	Typical	Maximum	Unit	Conditions/Notes
NumCell	Number of series cells in battery pack	4	-	12	-	
BAT+	Positive terminal of pack	GND	NumCell * 1.2V	NumCell * 1.8V	V	
V _{SR}	Voltage across the sense resistor, P4 to P5	-0.3	-	2	V	
V _{CC}	Supply voltage (direct cell operation) LBAT+	3.0	4.8	7.2	V	
I _{CC}	Supply current at BAT+ terminal (no external loads)	-	120	250	μA	
R _{DQ}	Internal pull-down	500k	-	-	Ω ¹	
I _{OL}	Open-drain sink current DQ	-	-	5.0	mA ¹	
V _{OL}	Open-drain output low, DQ	-	-	0.5	V ¹	I _{OL} < 5mA
V _{IHDQ}	DQ input high	2.5	-	-	V ¹	
V _{ILDQ}	DQ input low	-	-	0.8	V ¹	
V _{OS}	Voltage offset			150	μV ¹	

Note: 1. Characterized on PCB, IC 100% tested.

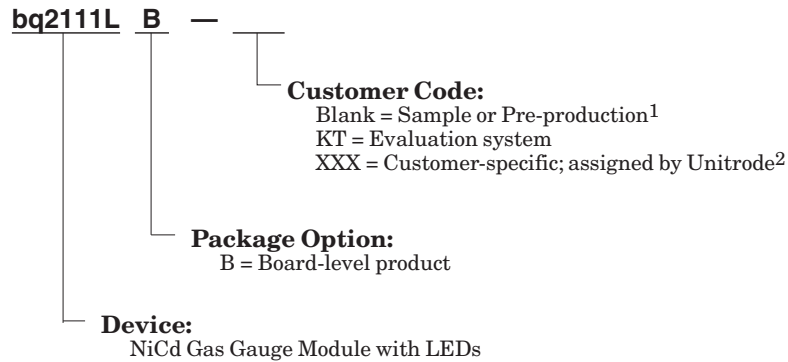
bq2111L

DC Voltage Thresholds (T_A = T_{OPR})

Symbol	Parameter	Minimum	Typical	Maximum	Unit	Notes
VEDV	Final empty warning	0.87	0.90	0.93	V	BAT+/NumCell ¹
VMCV	Maximum single-cell voltage	1.95	2.0	2.05	V	BAT+/NumCell ¹
VSR1	Discharge compensation threshold	20	50	75	mV	V _{SR} + V _{OS} ²
VSR2	Discharge compensation threshold	70	100	125	mV	V _{SR} + V _{OS} ²
VSR3	Discharge compensation threshold	120	150	175	mV	V _{SR} + V _{OS} ²
VSR4	Discharge compensation threshold	220	253	275	mV	V _{SR} + V _{OS} ²
VSR0	Sense resistor sense range	-300	-	+2000	mV	V _{SR} + V _{OS} ²
VSRQ	Valid charge	-	-	-400	μV	V _{SR} + V _{OS} ²
VSRD	Valid discharge	500	-	-	μV	V _{SR} + V _{OS} ²

- Notes:**
1. At SB input of bq2011
 2. At SR input of bq2011

Ordering Information



- Notes:**
1. Requires configuration sheet (see Table 1)
 2. Example production part number: bq2111LB-001

IMPORTANT NOTICE

Texas Instruments and its subsidiaries (TI) reserve the right to make changes to their products or to discontinue any product or service without notice, and advise customers to obtain the latest version of relevant information to verify, before placing orders, that information being relied on is current and complete. All products are sold subject to the terms and conditions of sale supplied at the time of order acknowledgement, including those pertaining to warranty, patent infringement, and limitation of liability.

TI warrants performance of its semiconductor products to the specifications applicable at the time of sale in accordance with TI's standard warranty. Testing and other quality control techniques are utilized to the extent TI deems necessary to support this warranty. Specific testing of all parameters of each device is not necessarily performed, except those mandated by government requirements.

CERTAIN APPLICATIONS USING SEMICONDUCTOR PRODUCTS MAY INVOLVE POTENTIAL RISKS OF DEATH, PERSONAL INJURY, OR SEVERE PROPERTY OR ENVIRONMENTAL DAMAGE ("CRITICAL APPLICATIONS"). TI SEMICONDUCTOR PRODUCTS ARE NOT DESIGNED, AUTHORIZED, OR WARRANTED TO BE SUITABLE FOR USE IN LIFE-SUPPORT DEVICES OR SYSTEMS OR OTHER CRITICAL APPLICATIONS. INCLUSION OF TI PRODUCTS IN SUCH APPLICATIONS IS UNDERSTOOD TO BE FULLY AT THE CUSTOMER'S RISK.

In order to minimize risks associated with the customer's applications, adequate design and operating safeguards must be provided by the customer to minimize inherent or procedural hazards.

TI assumes no liability for applications assistance or customer product design. TI does not warrant or represent that any license, either express or implied, is granted under any patent right, copyright, mask work right, or other intellectual property right of TI covering or relating to any combination, machine, or process in which such semiconductor products or services might be or are used. TI's publication of information regarding any third party's products or services does not constitute TI's approval, warranty or endorsement thereof.