

AC-DC converter unit

BP5030

The BP5030 is an AC-DC converter that provides a direct current (5V) from commercial power supply (100V, AC), with a small number of external components required. Using this IC, a compact microcontroller-based device can be configured without a transformer.

●Applications

Power supplies for vacuum cleaners, rice cookers, electric pots, steam irons, telephones, electric heaters, lighting equipment, gas leakage alarms, and sensors

●Features

- 1) Smaller and lighter than transformers.
- 2) Wide range of input voltage (80 ~ 120V, AC).
- 3) Few external components required.
- 4) Power supply board is resistant to impacts because a transformer is not used.
- 5) The hybrid IC allows easy assemblage of components.

●Absolute maximum ratings (Ta=25°C)

Parameter	Symbol	Limits	Unit
Power supply voltage	V_i	170	V
Operating temperature	T_{opr}	-25~80	°C
Storage temperature	T_{stg}	-25~105	°C

●Electrical characteristics (Unless otherwise noted, Ta=25°C)

Parameter	Symbol	Min.	Typ.	Max.	Unit	Conditions
Input voltage	V_i	113	141	170	V	DC
Output voltage	V_o	4.7	5	5.3	V	$I_o=50\text{mA}$, $V_i=141\text{V}$
Output current	I_o	0	—	100	mA	$V_i=141\text{V}$ *1
Line regulation	V_r	—	0.03	0.1	V	$I_o=50\text{mA}$, $V_i=113\sim 170\text{V}$
Load regulation	V_l	—	0.05	0.15	V	$I_o=0\sim 50\text{mA}$, $V_i=141\text{V}$
Output ripple voltage	V_p	—	0.05	0.15	V_{pp}	$I_o=50\text{mA}$, $V_i=141\text{V}$ *2
Power conversion efficiency	η	35	46	—	%	$I_o=100\text{mA}$, $V_i=141\text{V}$

*1 Based on the derating curve.

*2 Output ripple voltage does not include spike noise.

● Measurement circuit

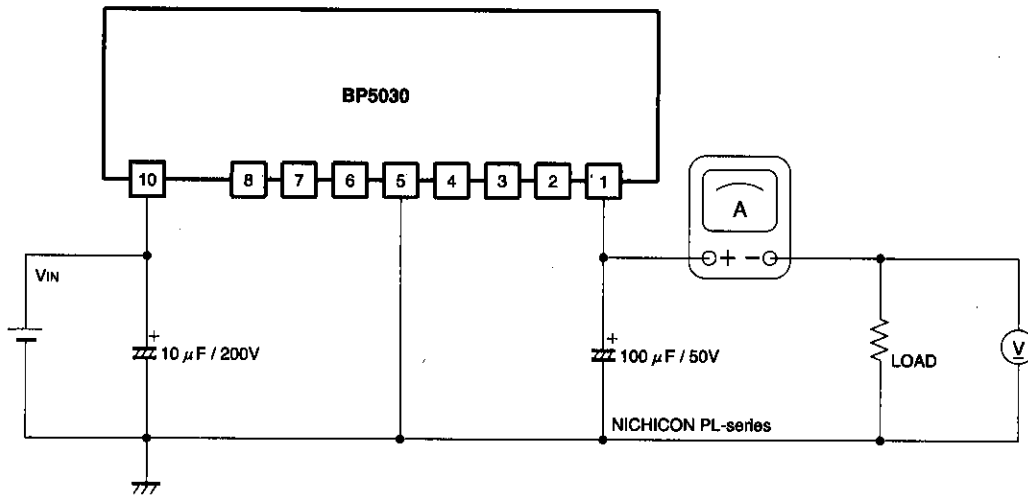
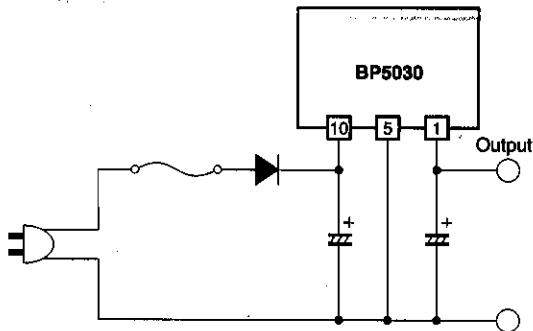


Fig.1

Pin No.	Pin name
1	V _{OUT}
2	NC
3	Internally connected pin
4	NC
5	COMMON
6	NC
7	Internally connected pin
8	NC
9	Not used
10	V _{IN}

● Basic circuits

Half wave rectifier circuit



Full wave rectifier circuit

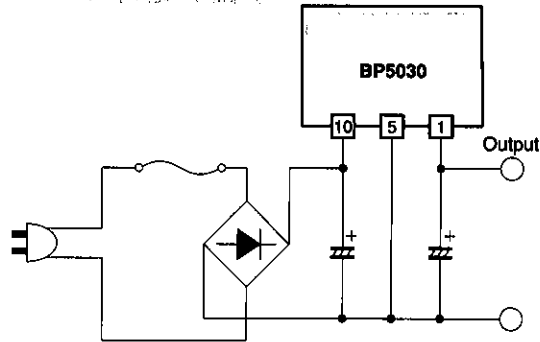


Fig.2

●Application example

Example of a vacuum cleaner application

The diode bridge, which draws out a zero-cross signal, is not required if a zero-cross signal is not used.

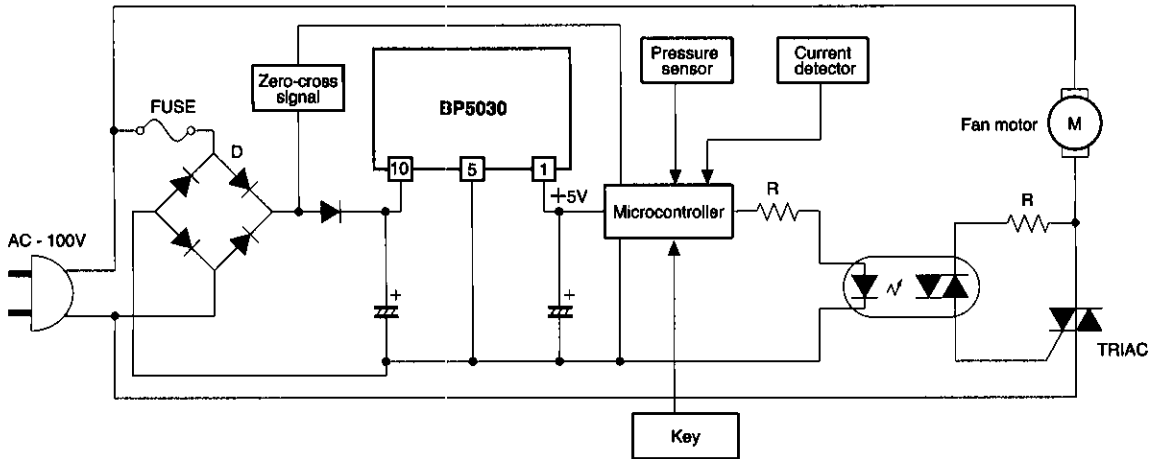


Fig. 3

Example of a rice cooker application

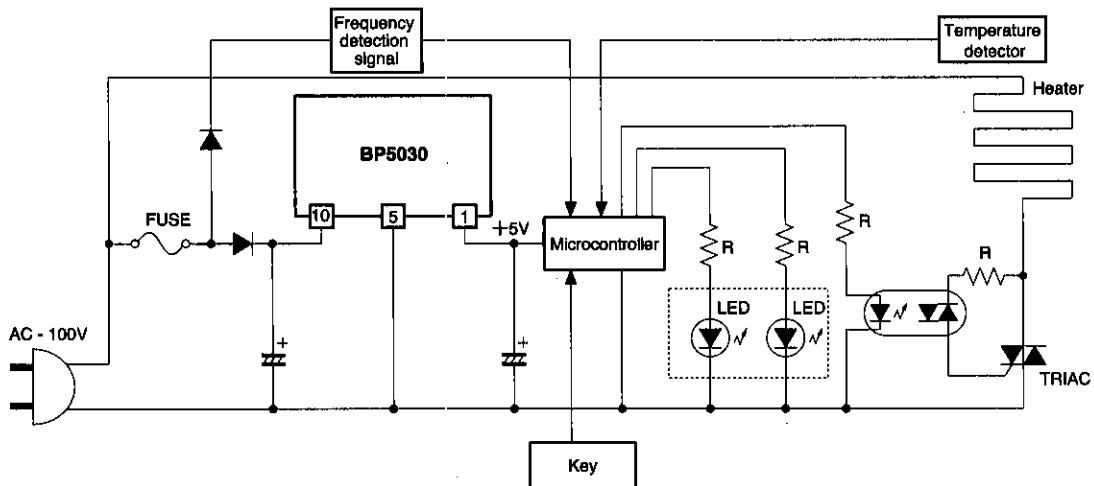


Fig.4

● External component setting

1. Diodes

Use rectifier diodes with the following absolute maximum ratings : minimum peak reverse voltage is 400V, the mean rectifying current is more than 0.5V, and minimum peak forward surge current is 20A. For example, 1SR35-400A is recommended.

2. Input voltage smoothing capacitor

When the capacitance of this capacitor is increased, the output voltage is stabilized but the start-up rush current is increased. The waveforms of rush currents for capacitance values of $3.3 \mu F$ (Fig. 5) and $10 \mu F$ (Fig. 7) are shown in Figs. 6 and 8, respectively. The recommended capacitance is plotted against the output current in Fig. 9. The capacitor must have a withstand voltage of at least 200V.

3. Output voltage smoothing capacitor

Use a capacitor with a small ESR. Specifically, a low-impedance capacitor for power supply switching is recommended. The capacitor's ESR affects the output ripple voltage. Capacitor products are listed below for reference.

Manufacturer	Product
NICHIKON	PJ series
Matsushita Electronic Components	A type FA series

Application circuit 1 ($C_{IN}=3.3 \mu F$)

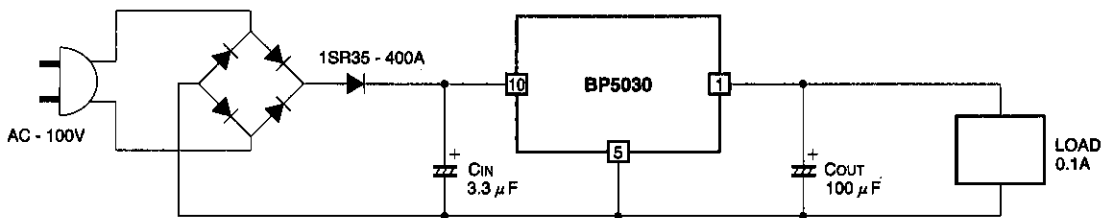


Fig.5

Rush current waveform

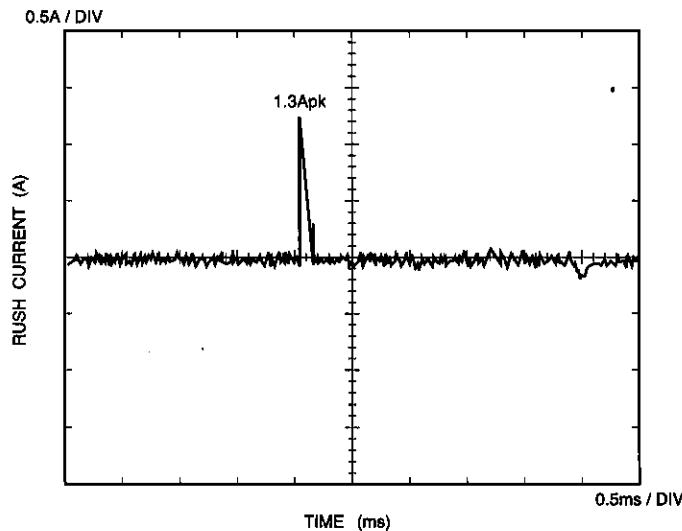


Fig.6

Application circuit 2 ($C_{IN}=10\ \mu F$)

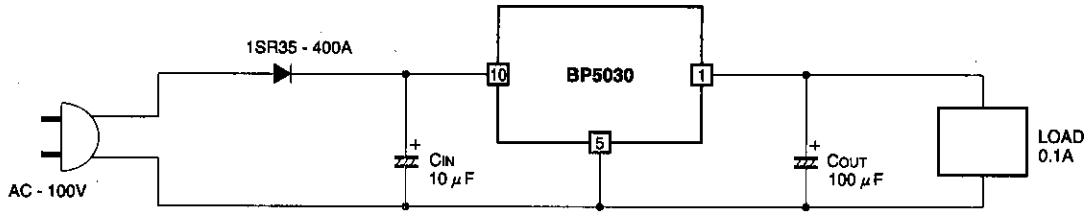


Fig.7

Rush current waveform

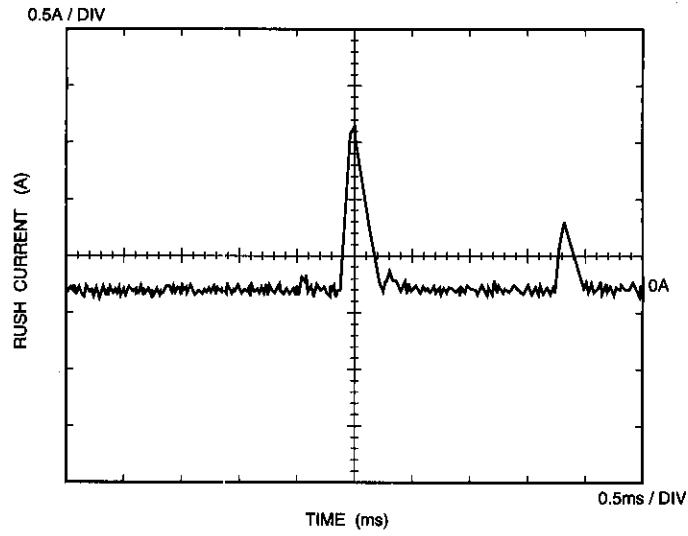


Fig.8

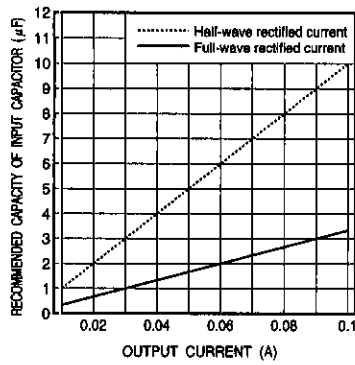


Fig.9

● Operation notes

1. Output current should be reduced with increasing ambient temperature.
2. Pins 3 and 7 are internally connected. Use the IC with these pins OPEN.
3. Overcurrent and short-circuit load

The overcurrent protection circuit limits the current to about 160mA with a curve shape of "inverted -L" in the voltage-current graph. The IC may be damaged if the duration of intermittent overcurrent flows of more than 100mA exceeds 1 minute in total at 25°C. Be sure to take safety measures such as fusing if short-circuit

loads or overcurrent is probable. Though a 0.5A continuous break fuse is recommended, careful selection should be made according to the loading condition.

4. Regulations on Electrical Appliances

A single IC (BP5030) unit is not subject to the Regulations on Electrical Appliances. An application for approval should be based on an assembled unit.

5. Surge tolerance

Results of electrostatic breakdown tests are shown in Fig. 10. The test methods are based on EIAJ ED-4071 and C-111.

Conditions A R2=0 (Ω), C=200pF

-2kV	-1kV	Pin no.	1kV	2kV
		1		
		2		
		3		
		4		
		5		
		6		
		7		
		8		
		10		

Conditions B R2=1.5 (kΩ), C=100pF

-2kV	-1kV	Pin no.	1kV	2kV
		1		
		2		
		3		
		4		
		5		
		6		
		7		
		8		
		10		

Measurement circuit

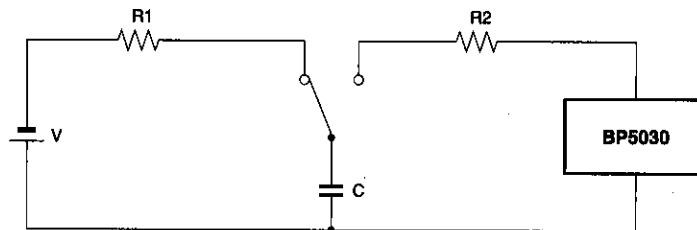


Fig.10

6. Pin noise voltage

Results obtained by using the Measurement circuit of Fig. 12 are shown in Fig. 11.

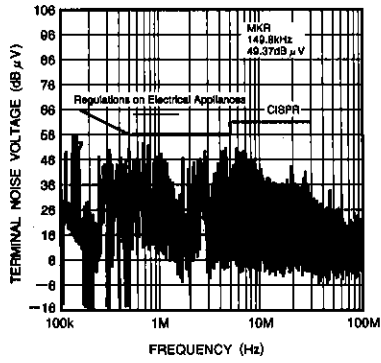


Fig.11

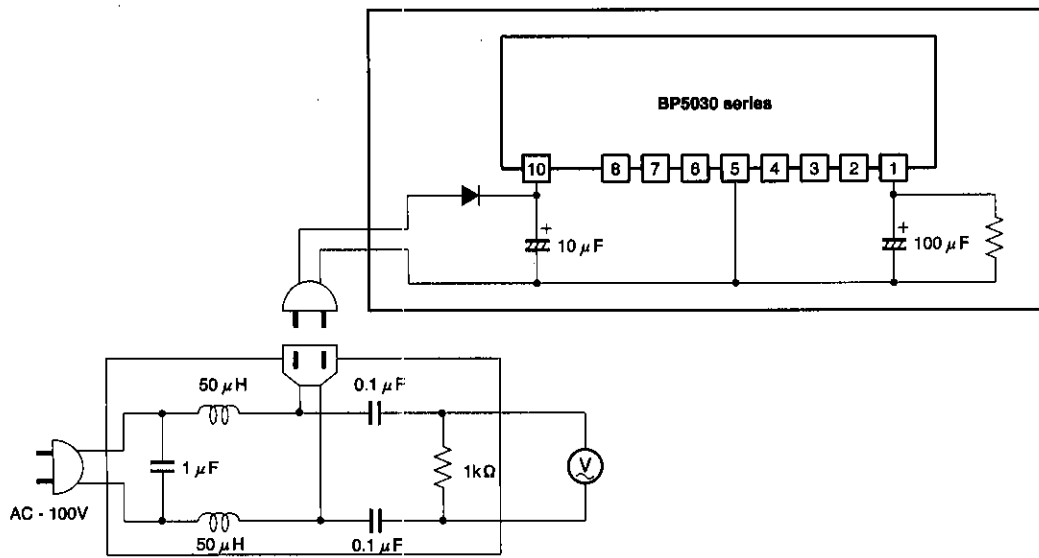


Fig.12

● Measurement data (Measurement circuit is Fig. 7)

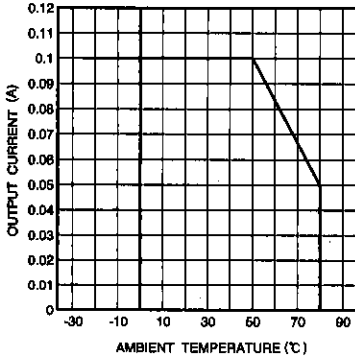


Fig.13 Derating curve

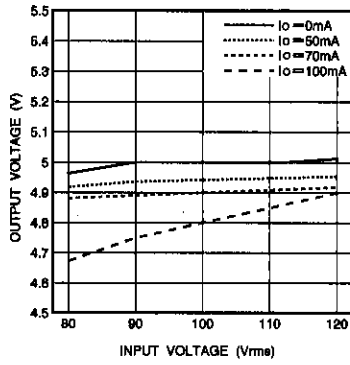


Fig.14 Line regulation

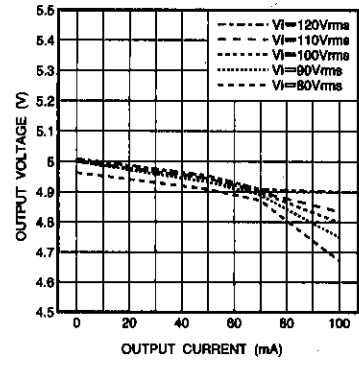


Fig.15 Load regulation

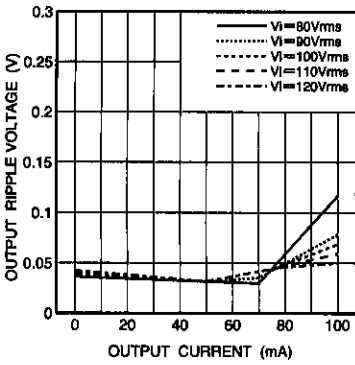


Fig.16 output ripple voltage

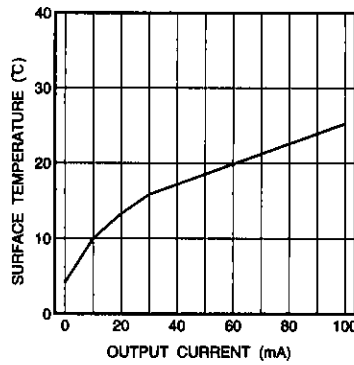
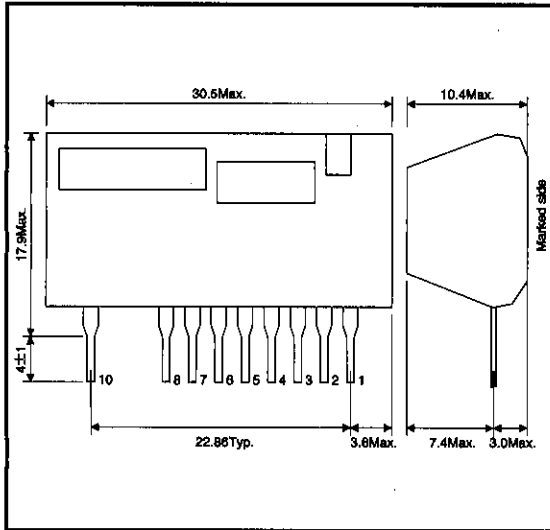


Fig.17 temperature rise

● External dimensions (Units: mm)



Notes

- The contents described in this catalogue are correct as of March 1997.
- No unauthorized transmission or reproduction of this book, either in whole or in part, is permitted.
- The contents of this book are subject to change without notice. Always verify before use that the contents are the latest specifications. If, by any chance, a defect should arise in the equipment as a result of use without verification of the specifications, ROHM CO., LTD., can bear no responsibility whatsoever.
- Application circuit diagrams and circuit constants contained in this data book are shown as examples of standard use and operation. When designing for mass production, please pay careful attention to peripheral conditions.
- Any and all data, including, but not limited to application circuit diagrams, information, and various data, described in this catalogue are intended only as illustrations of such devices and not as the specifications for such devices. ROHM CO., LTD., disclaims any warranty that any use of such device shall be free from infringement of any third party's intellectual property rights or other proprietary rights, and further, assumes absolutely no liability in the event of any such infringement, or arising from or connected with or related to the use of such devices.
- Upon the sale of any such devices; other than for the buyer's right to use such devices itself, resell or otherwise dispose of the same; no express or implied right or license to practice or commercially exploit any intellectual property rights or other proprietary rights owned or controlled by ROHM CO., LTD., is granted to any such buyer.
- The products in this manual are manufactured with silicon as the main material.
- The products in this manual are not of radiation resistant design.

The products listed in this catalogue are designed to be used with ordinary electronic equipment or devices (such as audio-visual equipment, office-automation equipment, communications devices, electrical appliances, and electronic toys). Should you intend to use these products with equipment or devices which require an extremely high level of reliability and the malfunction of which would directly endanger human life (such as medical instruments, transportation equipment, aerospace machinery, nuclear-reactor controllers, fuel controllers, or other safety devices) please be sure to consult with our sales representatives in advance.

- Notes when exporting
 - It is essential to obtain export permission when exporting any of the above products when it falls under the category of strategic material (or labor) as determined by foreign exchange or foreign trade control laws.
 - Please be sure to consult with our sales representatives to ascertain whether any product is classified as a strategic material.