

SECAM discriminator IC BA7007

The BA7007 is a SECAM discriminator suitable for use in video cassette recorders. The BA7007 includes a pre-limiter circuit, detector, slicer-tuning amplifier and comparator. By adding a ceramic filter, and LC circuit for the $f_H/2$ oscillation frequency, and a few resistors and capacitors it is possible to construct an extremely sensitive SECAM discriminator using a simple circuit with low space requirements that will lead to lower costs, and better performance and reliability.

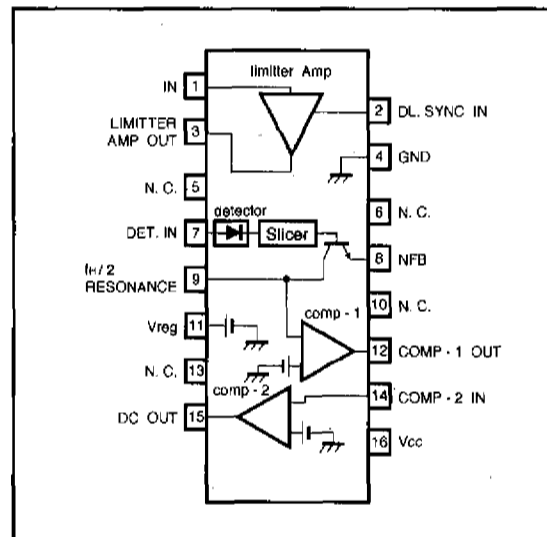
●Applications

SECAM discriminator for VCRs.

●Features

- 1)Extremely stable SECAM discrimination even with power supply and burst-signal input level fluctuations.
- 2)Digital conversion-type integration is used to ensure a large noise margin, and give high sensitivity.
- 3)Low variation in discriminator sensitivity means that adjustment is not necessary.
- 4)Few external components required.
- 5)Large current output capacity.

●Block diagram



●Application example

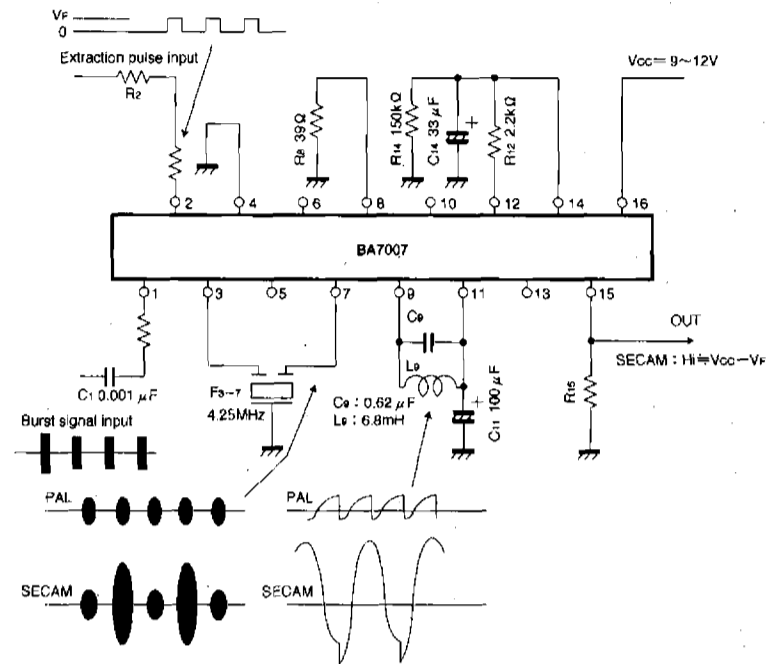
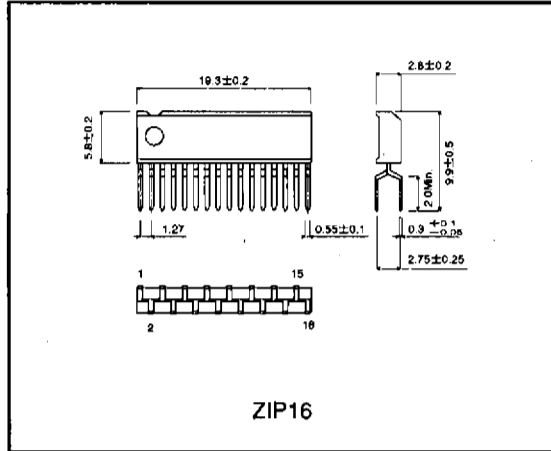


Fig 2

C ₁	Limiting amplifier input coupling capacitor
R ₂	Extraction pulse current limiting resistor
F ₃₋₇	4.25MHz band-pass filter (impedance: 1kΩ) (It is also possible to use a 4.4MHz filter, but there will be a slight drop in discrimination sensitivity). Input/output impedance: 1kΩ
R ₈	Resistor for adjusting the tuning amplifier output level
C ₉ L ₉	For f _{H2} resonator circuit
C ₁₁	Ripple filter (for LC resonator circuit)
C ₁₂	Components that determine the discrimination time (charge/discharge time constant)
C ₁₄	Charging time constant = R ₁₂ and C ₁₄
R ₁₄	Discharge time constant = R ₁₄ and C ₁₄
R ₁₅	Resistor for absorption of output leakage

●External dimensions (Units: mm)



PAL/SECAM detector

VCR components