

4-channel BTL driver for CD players

BA6897S/BA6897FP

The BA6897S and BA6897FP are a 4-channel BTL driver for CD player motors and actuators. It has an internal 5V regulator and standard operational amplifier, and is suited to a wide range of applications.

●Applications

CD players, CD-ROM drives

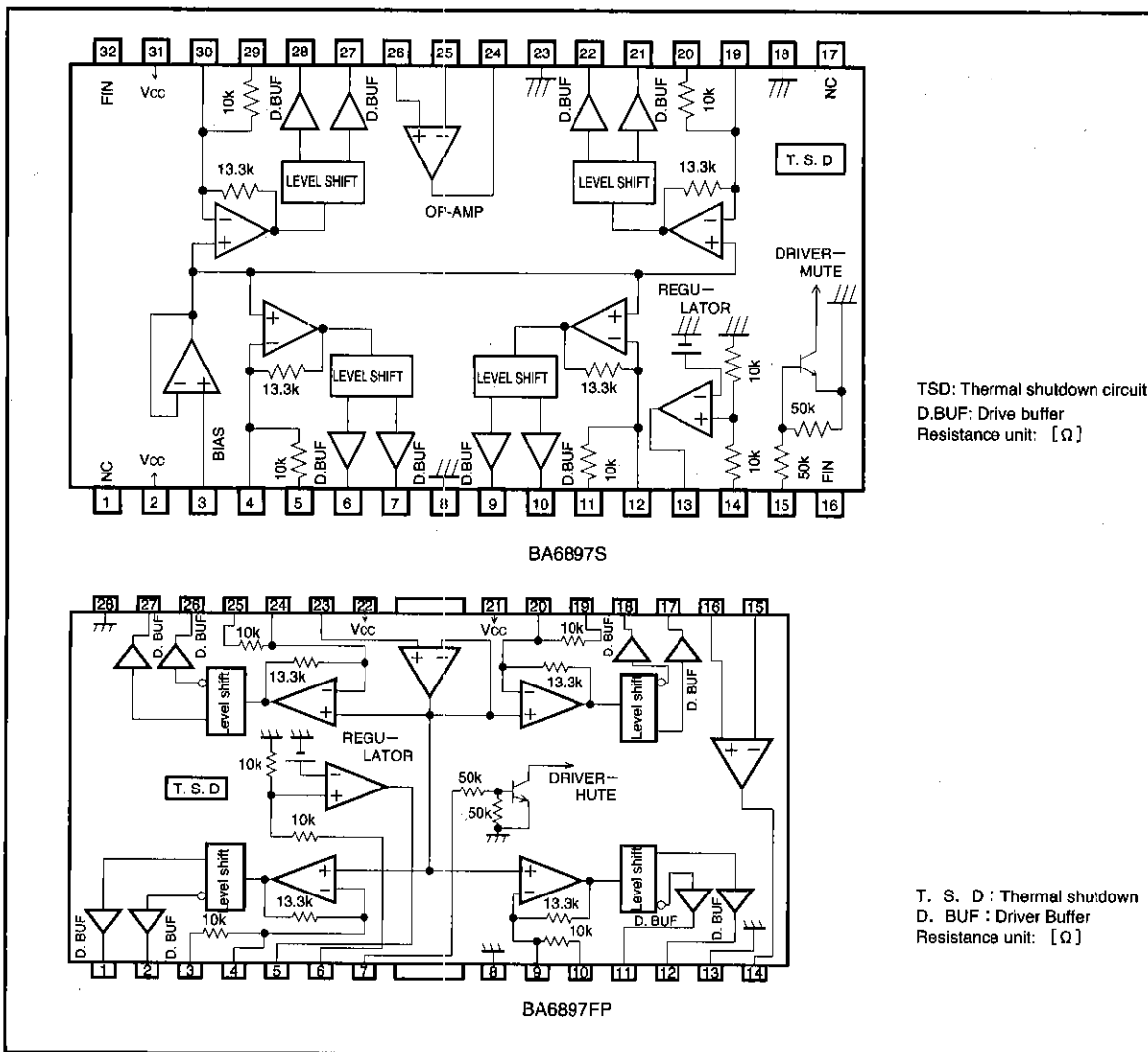
●Features

- 1) Minimal number of external components.
- 2) Driver gain is adjustable with just one attached resistor.
- 3) Internal 5V regulator (attached PNP transistor necessary)
- 4) Internal standard operational amplifier.
- 5) Internal thermal shutdown circuit.

CD / CD-ROM Drivers (4 channels)

For CDs / CD-ROMs

● Block diagram



● Absolute maximum ratings (Ta=25°C)

Parameter	Symbol	Limits	Unit
Power supply voltage	Vcc	18	V
Power dissipation	BA6897S	1.7*1	W
	BA6897FP	1.7*2	
Operating temperature	Topr	-35~85	°C
Storage temperature	Tstg	-55~150	°C

* 1 Unmounted

* 2 When mounted to a 50 × 50 × 1 mm paper phenol board
Reduced by 13.6 mW for each increase in Ta of 1°C over 25°C.

● Recommended operating conditions (Ta=25°C)

Parameter	Symbol	Limits	Unit
Power supply voltage	V _{cc}	6~9*2	V

*2 However, the driver can operate at up to 4.5V.

● Pin description

i) BA6897S

Pin No.	Pin name	Function
1	NC	NC
2	V _{cc}	Power supply
3	BIAS IN	Bias amplifier input
4	VIN1'	Input for adjusting the driver channel 1 gain
5	VIN1	Driver channel 1 input
6	VO1 (+)	Driver channel 1 positive output
7	VO1 (-)	Driver channel 1 negative output
8	GND	Substrate ground
9	VO2 (-)	Driver channel 2 negative output
10	VO2 (+)	Driver channel 2 positive output
11	VIN2	Driver channel 2 input
12	VIN2'	Input for adjusting the driver channel 2 gain
13	REG-B	Connect to base of attached transistor
14	REG OUT	Constant voltage output (connect to collector of attached transistor)
15	MUTE	Mute control
16	FIN	FIN

Pin No.	Pin name	Function
17	NC	NC
18	GND	GND
19	VIN3'	Input for adjusting the driver channel 3 gain
20	VIN3	Driver channel 3 input
21	VO3 (+)	Driver channel 3 positive output
22	VO3 (-)	Driver channel 3 negative output
23	GND	Substrate ground
24	OP OUT	Operational amplifier output
25	OP IN (-)	Operational amplifier negative input
26	OP IN (+)	Operational amplifier positive input
27	VO4 (-)	Driver channel 4 positive output
28	VO4 (+)	Driver channel 4 negative output
29	VIN4	Driver channel 4 input
30	VIN4'	Input for adjusting the driver channel 4 gain
31	V _{cc}	Power supply
32	FIN	FIN

* "Positive input" and "negative input" indicate polarity relative to input.

CD/CD-ROM Drivers (4 channels)

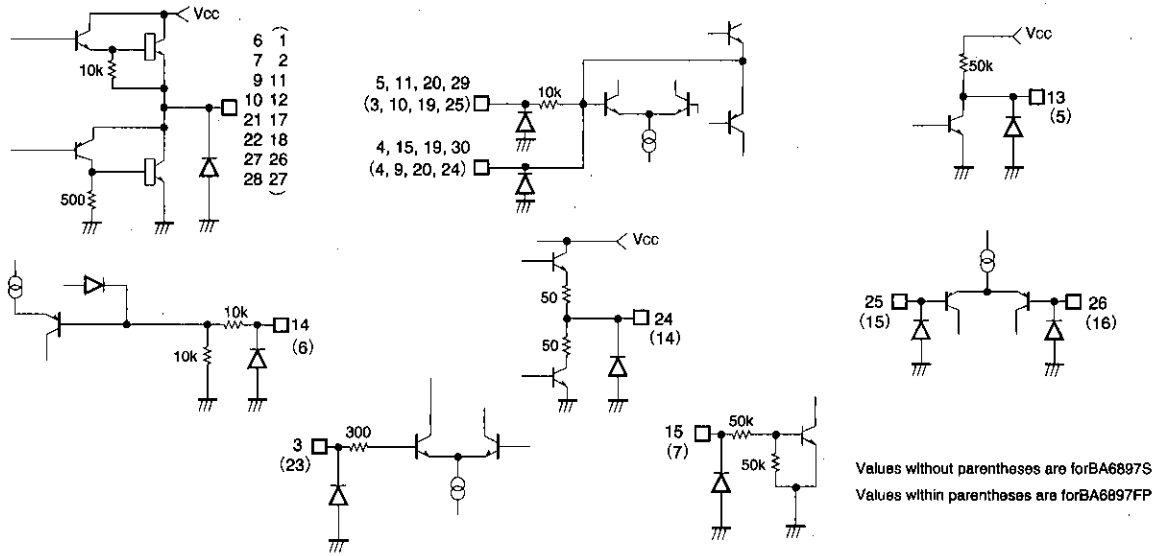
For CDs/CD-ROMs

ii) BA6897FP

Pin No.	Pin name	Description
1	VO1 (-)	Driver CH1 negative output
2	VO1 (+)	Driver CH1 Positive output
3	VIN1	Driver CH1 input
4	VIN1'	Driver CH1 input, gain adjustment pin
5	REG-B	Connect to external transistor base
6	REG OUT	Constant voltage output, connects to external transistor collector
7	MUTE	Driver mute control input
8	GND	Ground
9	VIN2'	Driver CH2 input, gain adjustment pin
10	VIN2	Driver CH2 input
11	VO2 (+)	Driver CH2 positive output
12	VO2 (-)	Driver CH2 negative output
13	GND	Substrate ground
14	OP OUT	Operational amplifier output
15	OP IN(-)	Operational amplifier input, negative
16	OP IN(+)	Operational amplifier input, positive
17	VO3 (-)	Driver CH3 negative output
18	VO3 (+)	Driver CH3 Positive output
19	VIN3	Driver CH3 input
20	VIN3'	Driver CH3 input, gain adjustment pin
21	Vcc	Power supply
22	Vcc	Power supply
23	BIAS IN	Bias amplifier input
24	VIN4'	Driver CH4 input, gain adjustment pin
25	VIN4	Driver CH4 input
26	VO4 (+)	Driver CH4 positive output
27	VO4 (-)	Driver CH4 negative output
28	GND	Substrate ground

Note: "Positive output" and "negative output" indicate polarity relative to input.

● Input/output circuits



CD/CD-ROM Drivers (4 channels)

For CDs/CD-ROMs

●Electrical characteristics (Unless otherwise noted, $T_a=25^{\circ}\text{C}$, $V_{\text{CC}}=8\text{V}$, $f=1\text{kHz}$, $R_L=8\Omega$)

Parameter	Symbol	Min.	Typ.	Max.	Unit	Conditions
Quiescent current	I_{CC}	6.0	10.0	14.0	mA	No load
Output voltage, offset	V_{OO}	-40	—	40	mV	
Max. output voltage, HIGH	V_{OHD}	5.2	5.6	—	V	
Max. output voltage, LOW	V_{OLD}	—	1.3	1.55	V	
Voltage gain (closed circuit)	G_{VC}	7.0	8.0	9.0	dB	$V_{\text{in}}=0.1\text{V}_{\text{rms}}$, 1kHz
Ripple rejection	RR	—	60	—	dB	$V_{\text{in}}=0.1\text{V}_{\text{rms}}$, 100Hz
Slew rate	SR	—	2.0	—	$\text{V}/\mu\text{S}$	100 kHz square wave, 3 Vp-p output
Mute Off voltage	V_{MOFF}	2.0	—	—	V	
[5 V regulator]						
Output voltage	V_{REG}	4.75	5.00	5.25	V	$I_L=100\text{mA}$
Output load differential	ΔV_{RL}	-50	0	10	mV	$I_L=0\sim 200\text{mA}$
Power supply voltage differential	ΔV_{VCC}	-10	0	25	mV	($V_{\text{CC}}=6\sim 9\text{V}$) $I_L=100\text{mA}$
[Operational amplifier]						
Offset voltage	V_{OFOP}	-5	0	5	mV	
Input bias current	V_{BOP}	—	—	300	nA	
High-level output voltage	V_{OHOP}	6.0	—	—	V	
Low-level output voltage	V_{OLOP}	—	—	1.8	V	
Output drive current (sink)	I_{SINK}	10	50	—	mA	50 Ω at VCC
Output drive current (source)	I_{SOURCE}	10	40	—	mA	50 Ω at GND
Open loop voltage gain	G_{VO}	—	78	—	dB	$V_{\text{in}}=-75\text{dBV}$, 1kHz
Slew rate	SR_{OP}	—	1	—	$\text{V}/\mu\text{S}$	100 kHz square wave, 4 Vp-p output
Ripple rejection	RR_{OP}	—	65	—	dB	$V_{\text{in}}=-20\text{dBV}$, 100Hz
Common mode rejection ratio	CMRR	—	84	—	dB	$V_{\text{in}}=-20\text{dBV}$, 1kHz

● Measurement circuit (BA6897S)

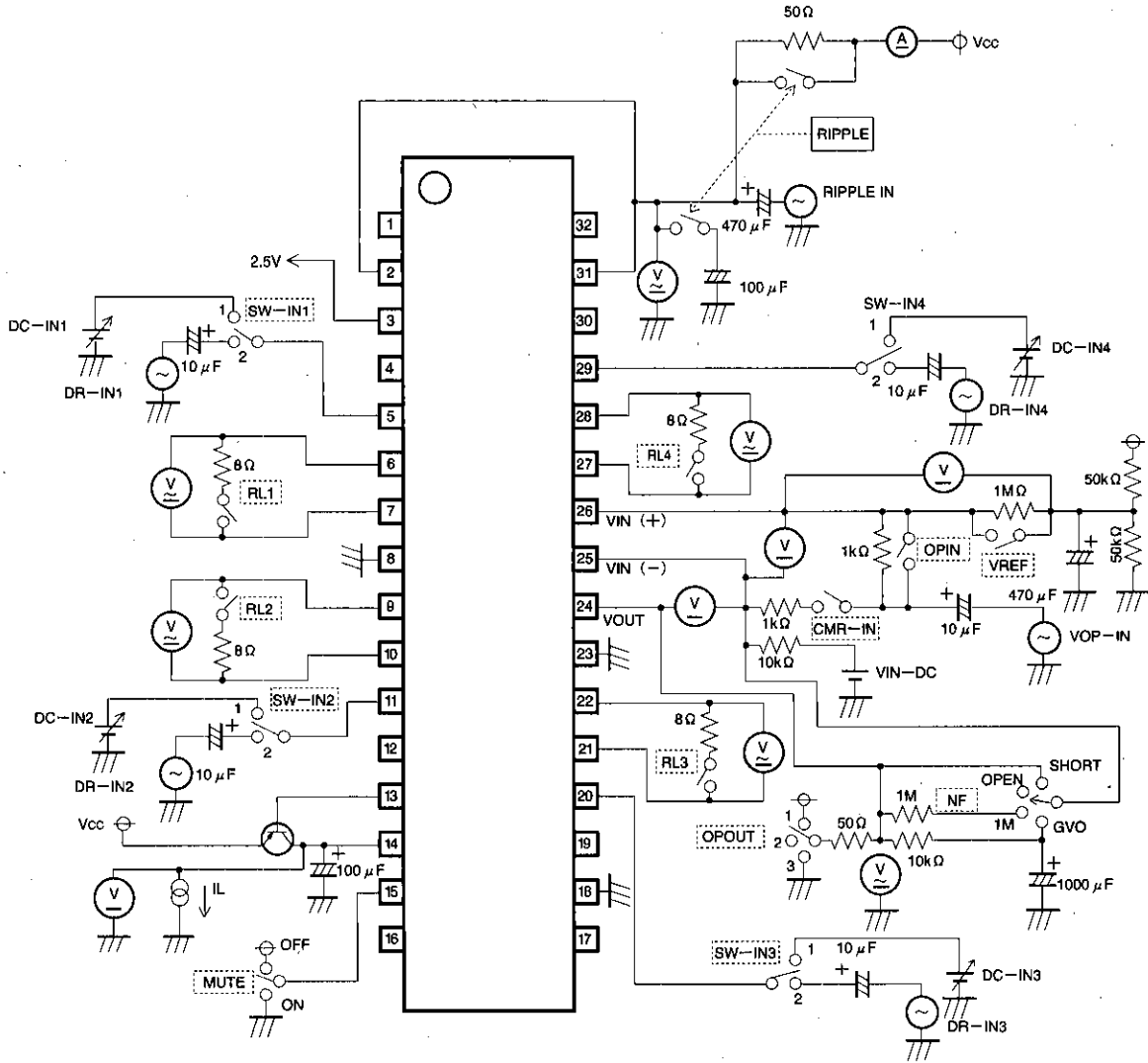


Fig. 1

CD/CD-ROM Drivers (4 channels)

For CDs/CD-ROMs

● Circuit operation

1. Driver

Inputs to the IC are the focus tracking error signal from the servo preamplifier and the control signal from the motor.

The input signals, which normally center on 2.5V, are V/I converted by the preamplifier, generating a current corresponding to the input voltage. This current is passed through a resistor and into the internal reference voltage component, the preamplifier output being a signal centering on the internal reference voltage. Two systems (positive phase and negative phase) are created during V/I conversion, generating BTL output via the driver buffer.

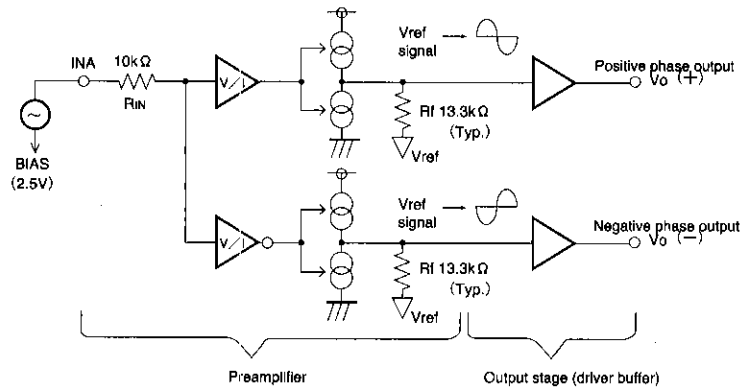


Fig. 2

2. Regulator

This is a typical series regulator that generates a reference voltage internally. A PNP low saturation transistor must be connected.

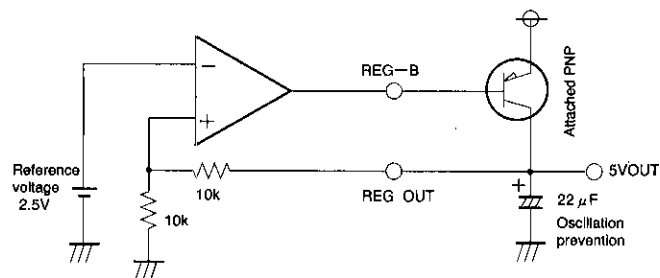


Fig. 3

3. Amplifier

General 4558 type.

● Application example

i) BA6897S

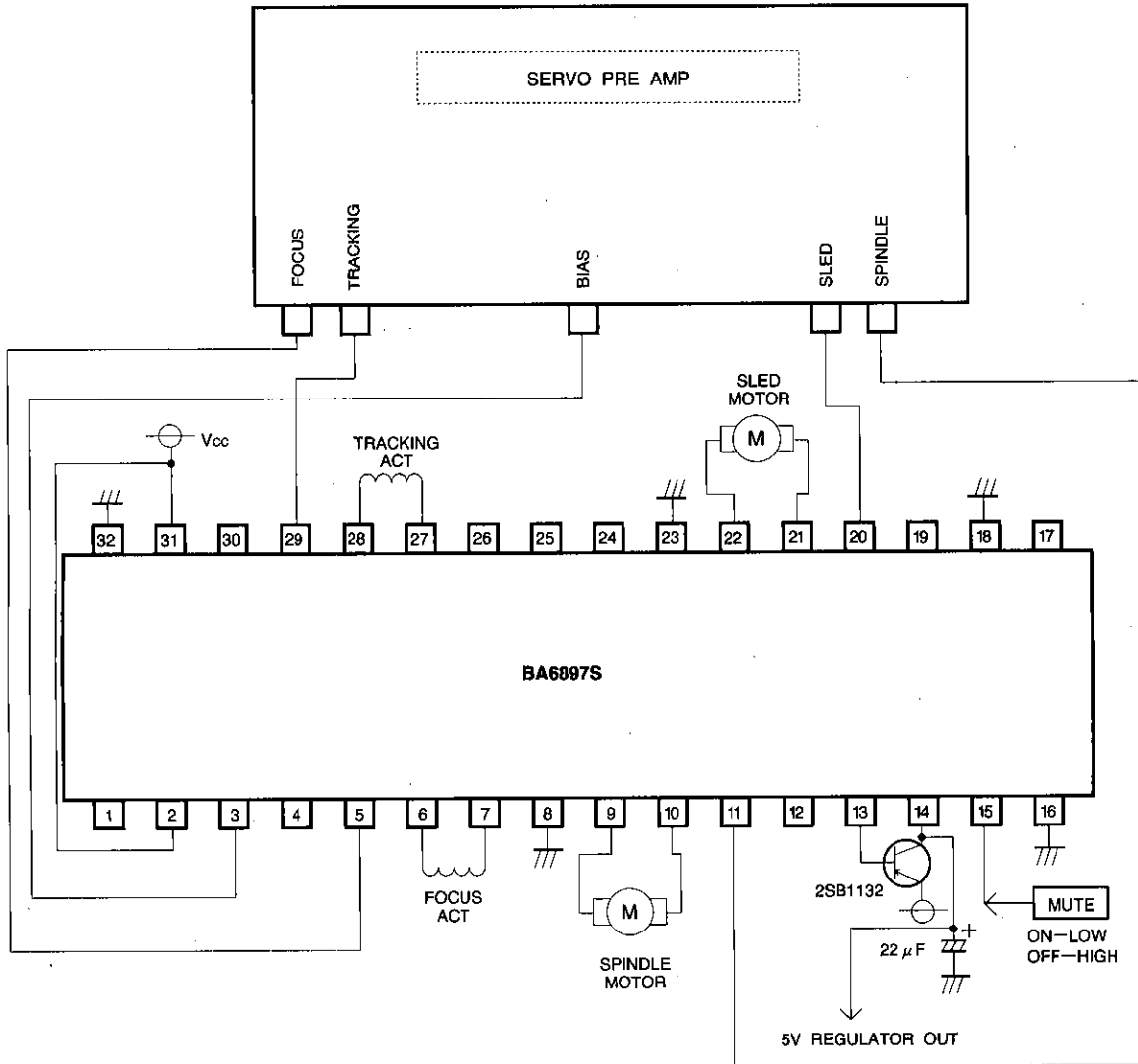


Fig. 4

CD/CD-ROM Drivers (4 channels)

For CDs/CD-ROMs

ii) BA6897FP

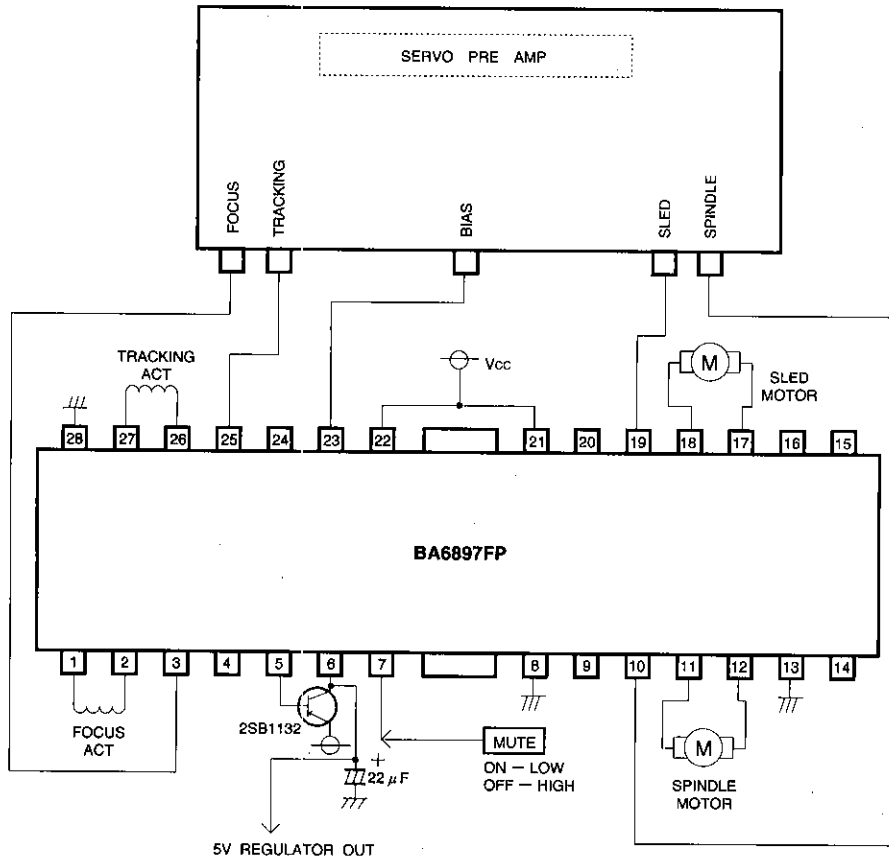
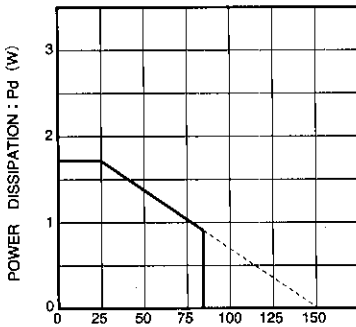


Fig. 5

● Operation notes

1. The BA6897S and BA6897FP have an internal thermal shutdown circuit. Output current is muted when the chip temperature exceeds 175°C (typically).
2. If the mute pin voltage is opened or lowered below 0.5V, the output current will be muted. The mute pin should be pulled up above 2.0V during normal use.
3. The bias pin is muted when lowered below 1.4V (typically). Make sure it stays above 1.6V during normal use.
4. Muting occurs during thermal shutdown, mute-on operations or a drop in the bias pin voltage or supply voltage. In each case, only the drivers are muted. During muting, the output pins remain at the internal bias voltage, roughly $(V_{CC}-V_F)/2$.
5. Be sure to connect the IC to a 0.1 μF bypass capacitor to the power supply, at the base of the IC.
6. The radiating fin is connected to the package's internal GND, but should also be connected to an external ground.
7. The capacitor between regulator output (pin 6) and GND also serves to prevent oscillation of the IC, so select one with good temperature characteristics.

● Electrical characteristic curves



AMBIENT TEMPERATURE: T_a (°C)
 BA6897S. When separate
 BA 6897FP. PCB When mounted
 to a 50 × 50 × 1 mm paper phenol board.
 Fig. 6 Thermal derating curve

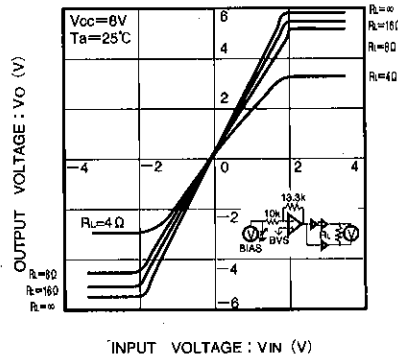


Fig. 7 Driver I/O characteristics
 (variable load)

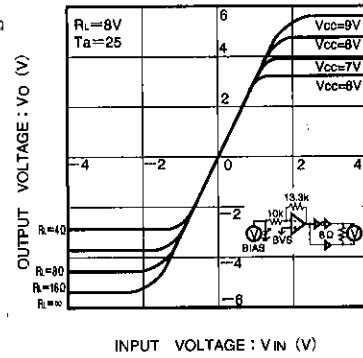


Fig. 8 Driver I/O characteristics
 (variable V_{CC})

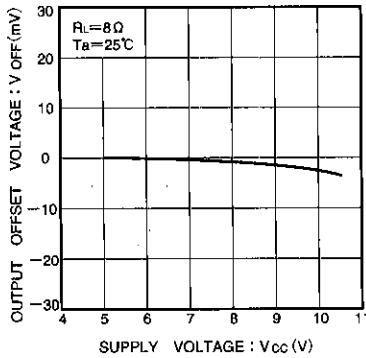


Fig. 9 Supply voltage vs. output
 voltage (offset)

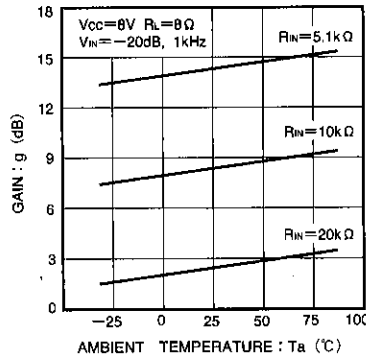


Fig. 10 Driver gain vs. temperature
 (R_{IN} connected via gain adjustment pin)

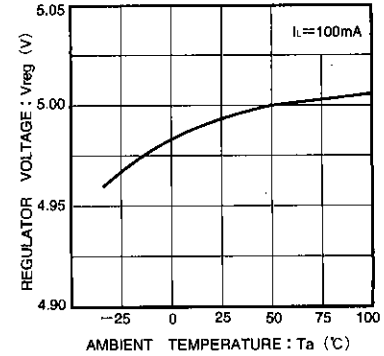


Fig. 11 Regulator voltage vs.
 temperature

CD / CD-ROM Drivers (4 channels)

For CDs / CD-ROMs

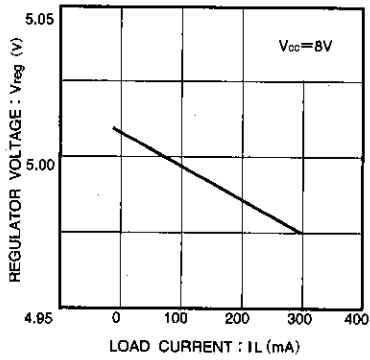


Fig. 12 Load current vs. regulator current

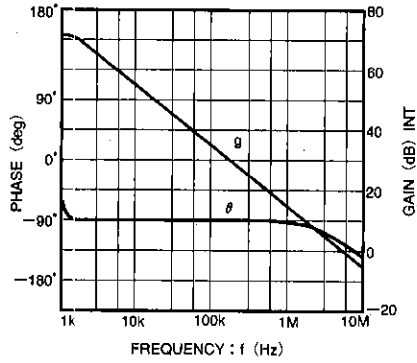


Fig. 13 Operational amplifier vs. open loop characteristics

●External dimensions (Units: mm)

