

LED level meter driver, 12-point × 2 channel, VU scale, bar display

BA6820F / BA6822S / BA6822F

The BA6820F, BA6822S and BA6822F are two-channel, 12-point LED drivers for VU-scale bar-level meters. The ICs are available in 22-pin SOP (BA6820F and BA6822F) and 22-pin shrink-DIP (BA6822S) packages, and use a dynamic-drive system that can drive two 12-point displays. The ICs have independent AC and DC inputs, and the AC input mode has a peak hold circuit (with cancel function). The ICs also feature a power-on mute, so steps to prevent erroneous LED lighting at power on are not required. The input resistance of the AC inputs is 3k Ω (typ.) for the BA6820F and 0.3k Ω (typ.) for the BA6822S.

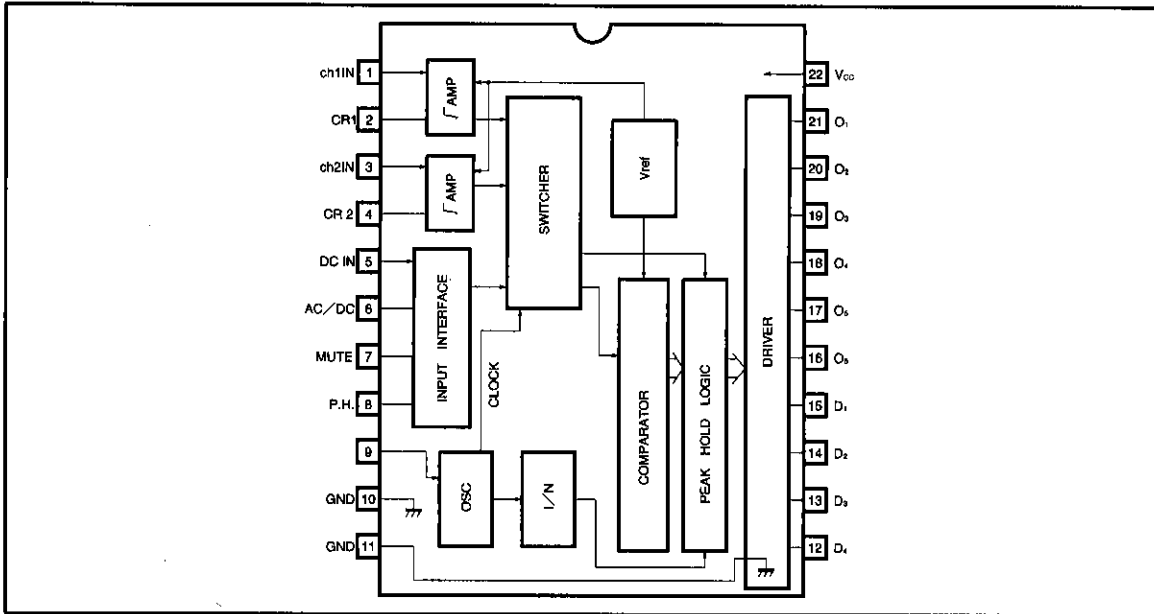
●Applications

Level meters for VCRs, stereo cassette players, audio amplifiers and karaoke equipment.

●Features

- 1) Uses dynamic-drive system to display two 12-point channels. 22-pin SOP and 22-pin shrink DIP packages.
- 2) Independent AC and DC inputs provided (one input displays one channel). Switching function allows two-mode display.
- 3) Upper 8 points have peak hold function in AC mode (two seconds). A peak-hold cancel function is also provided.
- 4) A mute function is provided, and muting can be applied externally.
- 5) Power on mute function.

●Block diagram



●Absolute maximum ratings (BA6820F/BA6822F) (Ta = 25°C)

Parameter	Symbol	Limits	Unit
Supply voltage	V _{CC}	7.0	V
Power dissipation	P _d	450*	mW
Operating temperature	T _{opr}	-20~70	°C
Storage temperature	T _{stg}	-55~125	°C
Maximum output driver current	I _{OM}	40	mA
Maximum display switch driver current	I _{DM}	20	mA

* Reduced by 4.5mW for each increase in Ta of 1°C over 25°C.

●Absolute maximum ratings (BA6822S) (Ta = 25°C)

Parameter	Symbol	Limits	Unit
Supply voltage	V _{CC}	7.0	V
Power dissipation	P _d	1000*	mW
Operating temperature	T _{opr}	-20~70	°C
Storage temperature	T _{stg}	-55~125	°C
Maximum output driver current	I _{OM}	60	mA
Maximum display switch driver current	I _{DM}	30	mA

* Reduced by 10mW for each increase in Ta of 1°C over 25°C.

●Recommended operating conditions (Ta = 25°C)

Parameter	Symbol	Min.	Typ.	Max.	Unit	Conditions
Oscillator frequency	f _{osc}	—	4	—	kHz	C=0.01 μF R=41kΩ

Audio accessory components Level meter drivers

● Electrical characteristics (unless otherwise specified Ta = 25°C, Vcc = 5.0V and f = 1kHz)

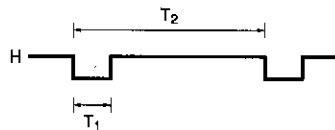
Parameter	Symbol	Min.	Typ.	Max.	Unit	Conditions	Measurement Circuit	
Supply voltage range	V _{CC}	4.5	5.0	5.5	V	—	Fig.1	
Quiescent power supply current	I _Q	—	10	15	mA	Not input, when output off	Fig.1	
1/2 divider amplifier 1)								
Quiescent input voltage	V _{IQ}	—	30	100	mV	I _{IN} =0, R _L =47kΩ	Fig.1	
Input resistance	R _{IN}	BA6820F	2	3	4	kΩ	—	Fig.1
		BA6822S/F	0.2	0.3	0.4			
Output voltage	V _{OUT}	BA6820F	600	1000	1400	mV	I _{IN} =-100 μA R _L =47kΩ	Fig.1
		BA6822S/F	500	690	1400			
Maximum input current	I _{IM}	1.2	2	—	mA	—	Fig.1	
Crosstalk	CT	—	40	120	mV	V _{IN} =1.8Vrms	Fig.1	
Differential output voltage	ΔV _{OUT}	-250	0	250	mV	I _{IN} =-100 μA, R _L =47kΩ	Fig.1	
Output voltage linearity	ΔV/ΔI	BA6820F	400	650	900	mV	I _{IN} =-10~-100 μA	Fig.1
		BA6822S/F	350	650	900			
DC input								
DC input resistance	R _{INDC}	30	50	70	kΩ	—	Fig.1	
Oscillator								
Oscillator frequency	f _{OSC}	3.5	4.0	4.5	kHz	C=0.01 μF, R=41kΩ	Fig.1	
Display output								
Peak hold time **	T _{hold}	—	2	—	s	f _{osc} =4kHz	Fig.1	
Display switch output duty cycle	duty	—	7/32	—	—	—	Fig.1	
Display switch low-level output voltage	V _{DL}	—	0.1	0.3	V	I _L =10mA, 12pin~15pin	Fig.1	
Display switch output leak current	I _{Dleak}	—	—	10	μA	V _{CE} =5V, 12pin~15pin	Fig.1	
LED driver low-level output voltage	V _{OL}	—	0.3	0.7	V	I _O =30mA, 16pin~21pin	Fig.1	
LED driver output leak current	I _{Oleak}	—	—	10	μA	V _{CE} =5V, 16pin~21pin	Fig.1	
Mute time at power on	T _{Mute}	—	1	—	s	f _{osc} =4kHz	Fig.1	
AC/DC switching threshold level	V _{TH6}	2.2	2.5	2.8	V	"H" ; AC, "L" ; DC6pin	Fig.1	
Forced mute input threshold	V _{TH7}	2.2	2.5	2.8	V	"H": mute (pin 7)	Fig.1	
Peak hold cancel input threshold	V _{TH8}	2.2	2.5	2.8	V	"H": cancel (pin 8)	Fig.1	
Comparator								
AC comparator level 12	V _{C12AC}	8.5	10	12	dB	Output: pin 16*3	Fig.1	
AC comparator level 11	V _{C11AC}	5.5	7	8.5	dB	Output: pin 16*3	Fig.1	
AC comparator level 10	V _{C10AC}	3.0	4	5.5	dB	Output: pin 17*3	Fig.1	
AC comparator level 9	V _{C9AC}	1.0	2	3.0	dB	Output: pin 17*3	Fig.1	
AC comparator level 8	V _{C8AC}	—	0	—	dB	Output: pin 18*3	Fig.1	
AC comparator level 7	V _{C7AC}	-3.0	-2	-1.0	dB	Output: pin 18*3	Fig.1	
AC comparator level 6	V _{C6AC}	-5.5	-4	-3.0	dB	Output: pin 19*3	Fig.1	
AC comparator level 5	V _{C5AC}	-8.5	-7	-5.5	dB	Output: pin 19*3	Fig.1	
AC comparator level 4	V _{C4AC}	-15	-10	-8.5	dB	Output: pin 20*3	Fig.1	
AC comparator level 3	V _{C3AC}	-25	-20	-15	dB	Output: pin 20*3	Fig.1	
AC comparator level 2	V _{C2AC}	-33	-30	-25	dB	Output: pin 21*3	Fig.1	
AC comparator level 1	V _{C1AC}	-55	-38	-33	dB	Output: pin 21*3	Fig.1	

●Electrical characteristics

Parameter	Symbol	Min.	Typ.	Max.	Unit	Conditions	Measurement Circuit
AC sensitivity	BA6820F	170	308	450	mVrms	AC comparator level 8 on level	Fig.1
	BA6822S/F	220	400	580			Fig.1
DC comparator level 12	V _{C12DC}	2.78	3.10	3.44	V	Output: pin 16**4	Fig.1
DC comparator level 11	V _{C11DC}	2.35	2.64	2.90	V	Output: pin 16**4	Fig.1
DC comparator level 10	V _{C10DC}	1.98	2.23	2.48	V	Output: pin 17**4	Fig.1
DC comparator level 9	V _{C9DC}	1.75	2.00	2.25	V	Output: pin 17**4	Fig.1
DC comparator level 8	V _{C8DC}	1.50	1.76	2.00	V	Output: pin 18**4	Fig.1
DC comparator level 7	V _{C7DC}	1.35	1.58	1.85	V	Output: pin 18**4	Fig.1
DC comparator level 6	V _{C6DC}	1.20	1.42	1.65	V	Output: pin 19**4	Fig.1
DC comparator level 5	V _{C5DC}	1.00	1.18	1.35	V	Output: pin 19**4	Fig.1
DC comparator level 4	V _{C4DC}	0.80	1.00	1.15	V	Output: pin 20**4	Fig.1
DC comparator level 3	V _{C3DC}	0.35	0.51	0.70	V	Output: pin 20**4	Fig.1
DC comparator level 2	V _{C2DC}	0.15	0.25	0.35	V	Output: pin 21**4	Fig.1
DC comparator level 1	V _{C1DC}	0.05	0.11	0.20	V	Output: pin 21**4	Fig.1

*1 Peak hold for comparator levels for 5 to 12. There is no peak hold for DC input.

*2 Display switch output duty cycle.



Display switch output duty cycle = T₁/T₂

*3 The reference value for the AC comparator is the level of comparator 8.

*4 Only ch2 is effective in DC input mode.

Level meter drivers

Audio accessory components

● Measurement circuit

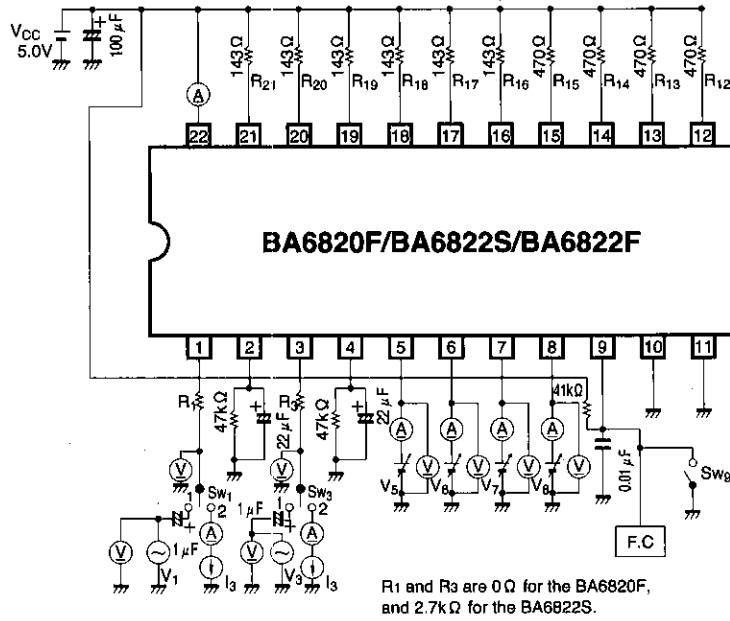


Fig. 1

● Application example

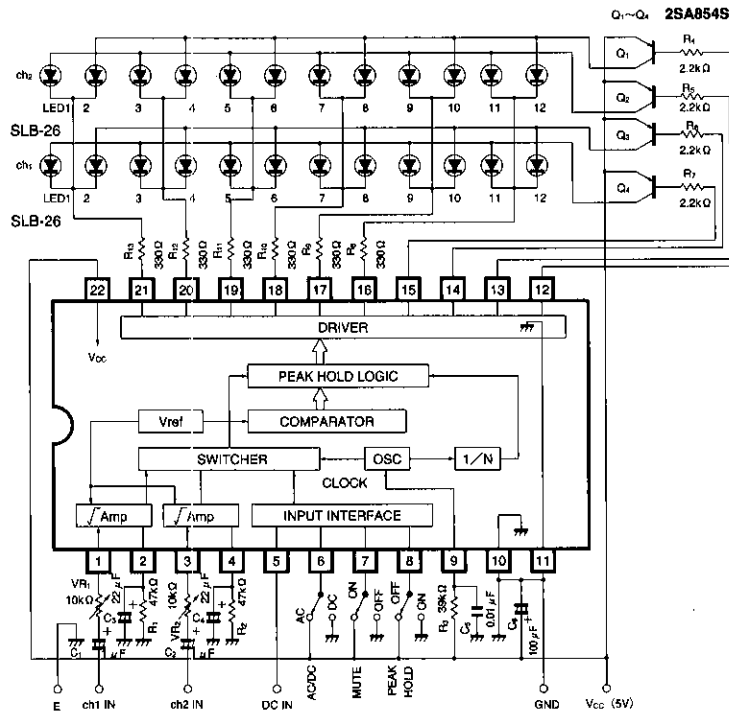


Fig. 2

● External components

- C_1 and C_2 : 1 μ F input coupling capacitors (electrolytic) for the square-root compression amplifier. The rectified voltage output from pins 2 and 4 is attenuated by 1.5dB at the frequency determined by the following formula (refer to the data for the relationship between the pin 2 and 4 DC voltage frequency characteristics and the LED lighting level).

$$f_c = \frac{1}{2\pi \cdot C_1 (R_{IN} + VR_1)} \quad (R_{IN} = \text{input resistance})$$

When the LEDs light due to low-frequency mechanical noise or induced hum, reduce the values of C_1 and C_2 to cut the low-frequency frequency characteristic.

- VR_1 and VR_2 : 5k Ω to 100k Ω potentiometers for sensitivity and L/R balance adjustment (refer to item 2 of Circuit operation).
- C_3 and C_4 : 22 μ F electrolytic capacitors.
- R_1 and R_2 : 47k Ω carbon-film resistors. These resistors set the attack and release times (refer to item 6 of the Circuit operation).
- C_5 : 0.01 μ F mylar capacitor.
 R_3 : 39k Ω carbon-film resistor. This resistor sets the oscillator frequency (refer to the Operation notes).
- C_6 : 100 μ F electrolytic capacitor. This capacitor is used as a ripple filter. The positive lead should be connected close to V_{CC} (pin 22), and the negative lead close to the junction of pins 10 and 11.

● Circuit operation

(1) Function

There are 12 LEDs each for the left and right channels, and these are divided into 4 groups of six. A dynamic-drive technique is used to drive the LEDs in order, and provide 12 display points for each channel. A 12-point VU-scale bar display is produced over the display range -38dB to $+10\text{dB}$. The top eight points have a peak hold function which may be cancelled if required (there is no peak hold function for DC mode).

Independent AC (two channels) and DC (one channel) inputs are provided, and a control input pin is used to switch between them.

In DC mode, only channel 2 operates.

A power-on mute circuit is provided, so no measures are required to prevent erroneous lighting of the LEDs when power is applied.

- Q_1 to Q_4 : 2SA854S Transistors for display switching.

If the current for one LED is I_{LED} , the values of I_c and P_c for each of Q_1 to Q_4 when all LEDs are lit are given by :

$$I_c = 6 \times I_{LED} \quad (\text{for duty cycle of } 7/32)$$

$$P_c = 6 \times I_{LED} \times V_{sat} \times \frac{7}{32}$$

Choose transistors that have sufficient margin for I_c and P_c .

- R_4 to R_4 : 2.2k Ω carbon-film resistors. These resistors limit the base current for transistors Q_1 to Q_2 . The base current is the collector current divided by h_{FE} , but as the transistors are operated in the saturation region, h_{FE} will drop considerably. Choose the resistors so that sufficient base current flows.
- LED₁ to LED₁₂ : SLB-26
- R_6 to R_{13} : 330 Ω carbon-film resistors. These resistors set the LED current. Four LEDs are connected to each LED, but as the LEDs light sequentially, only the current for one LED flows in a resistor.

$$R_8 = \frac{V_{CC} - V_{LED} - V_{sat} (Q_1 - Q_4) - V_{DL}}{I_{LED}}$$

V_{DL} = Display switch output "L" voltage.

The attack and release times for the display can be set using external components.

(2) Input block (pins 1, 3 and 5)

Pins 1 and 3 are the AC inputs, and pin 5 is the DC input. Pin 6 is used to switch between AC and DC input. When the pin 6 input is "H", AC input is selected (pins 1 and 3), and when it is "L", DC input (pin 5) is selected. Therefore, if pins 1 and 3 are used for audio input, and pin 5 as the input for signal meter output (DC) from a tuner, the switch input (pin 6) can be used to make LED display do two jobs.

Pins 1 and 3 have low input impedance, so we recommend that you connect potentiometers (VR_1 and VR_2 : 5k Ω to 100k Ω) in series with the inputs to adjust the balance between ch1 and ch2 and set the levels.

(3) Peak hold

The peak hold circuit momentarily holds the maximum signal level in AC input mode. The peak hold function applies to comparator levels 5 to 12 (8 points). When the oscillator frequency is 4kHz, the peak hold time is two seconds (typ.), and can be changed by changing the oscillator frequency. The peak hold function can be turned off by setting pin 8 high.

The peak hold function does not operate in DC input mode.

(4) Output block

The two sets of 12 LEDs for the BA6820F and BA6822S/F are divided into 4 groups of six. A dynamic-drive technique is used to drive the LEDs in order, and display the input level.

Group 1

Channel 1 LEDs 1, 3, 5, 7, 9 and 11
(odd-numbered LEDs)

Group 2

Channel 1 LEDs 2, 4, 6, 8, 10 and 12
(even-numbered LEDs)

Group 3

Channel 2 LEDs 1, 3, 5, 7, 9 and 11
(odd-numbered LEDs)

Group 4

Channel 2 LEDs 2, 4, 6, 8, 10 and 12
(even-numbered LEDs)

Therefore, six LED drive outputs, and four display switch terminals are provided.

The output timing chart for when all LEDs are lit is shown in Fig. 3.

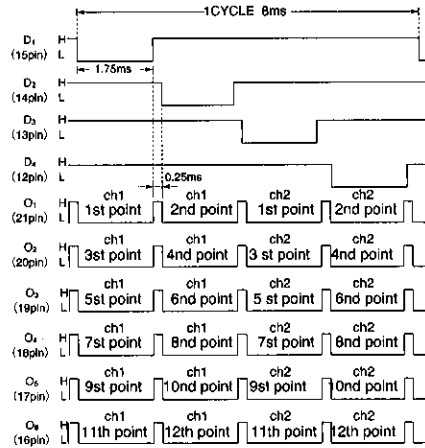
In DC input mode, only channel 2 operates.

D₁ to D₄ in the timing chart operate in the same way as for AC mode (i.e. D₁ and D₂ operate), but O₁ to O₆ are high for the channel 1 period.

1) Display switch outputs (pins 12 to 15)

To successively switch between the four LED groups, these outputs are active low (see Fig. 4).

The outputs are pulled up by 36kΩ resistors (between the base and emitter of Q₁ to Q₄), so leak current by bypass resistors are not required.



Timing chart for all LEDs on (f = 4kHz)

Fig. 3

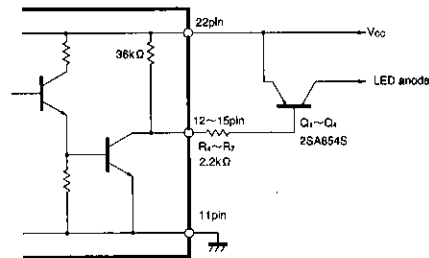


Fig. 4

2) LED drive outputs (pins 16 to 21)

These are open-collector outputs that drive the LEDs (see Fig. 5).

One complete cycle of the timing chart starting from O₁ (pin 21) is as follows : if the channel 1 input is higher than comparator level 1 during the first-point period for channel 1, a "L" level is output. Next, if the channel 1 input is higher than comparator level 2 during the second-point period for channel 1, a "L" level is output, if the channel 2 input is higher than comparator level 1 during the first-point period for channel 2, a "L" level is output, and then if the channel 2 input is higher than comparator level 2 during the second-point period for channel 2, a "L" level is output. This cycle is then repeated for outputs O₂ to O₆.

(5) Mode switch pins (pins 6, 7 and 8)

- AC/DC mode switch pin (pin 6)

When "H" AC input (pins 1 and 3) is selected, and when "L" DC input (pin 5) is selected.

"H" : 1, 3pin "L" : 5pin

- Mute (pin 7)

When "H", mute is applied, and no display is output. Normally "L".

- Peak hold (pin 8)

When "H", peak hold for AC input is cancelled.

The circuit for these three mode switches is given in Fig. 6.

Pins 6 to 8 are pulled down by a 50kΩ resistor, so there is no need for the inputs to be connected to GND for a "L" input.

(6) Attack and release times (pins 2 and 4)

The output response to AC input signals is set by the RC circuits connected to pins 2 and 4 (R₁ and C₃ for channel 1, and R₂ and C₄ for channel 2).

R	C	Attack time	Release time
47kΩ	22 μF	14ms	2.7s
10kΩ	10 μF	5ms	0.3s

(Typ.)

Attack time : the time for pins 2 and 4 to go from 0V to 2V (when all 12 LEDs are lit) when the input signal goes from no signal to a 1.8V input signal with f = 1kHz (the input level at which the 12th LED lights is +6dB).

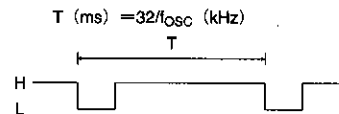
Release time : the time for pins 2 and 4 to go from 2V to 120mV (the level at which the first LED lights) when the input signal goes from a 1.8V input signal to no signal (the input level at which the 12th LED lights is +6dB).

The recommended values are 10kΩ to 47kΩ for R₁ and R₂ and 10 μF to 22 μF for C₃ and C₄. In DC mode, the attack and release times are zero seconds regardless of the RC circuits (see Fig. 7).

(7) Oscillator frequency (pin 9)

R₃ and C₅ connected to pin 9 determine the oscillator frequency.

The relationship between the oscillator frequency and the display switching period is as follows:



The LED drive output, display switch output period, peak hold time, and mute time when power is applied are all determined by the oscillation frequency, and are varied when the frequency is changed.

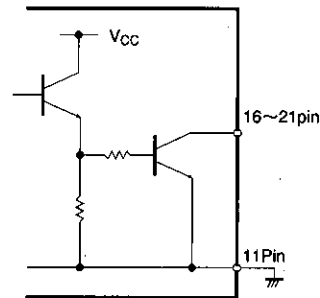


Fig. 5

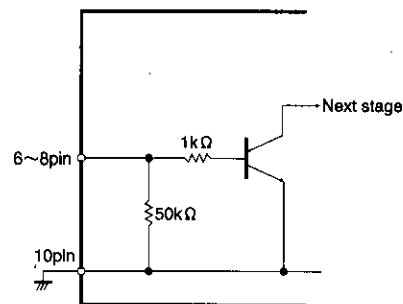


Fig. 6

● Circuit operation

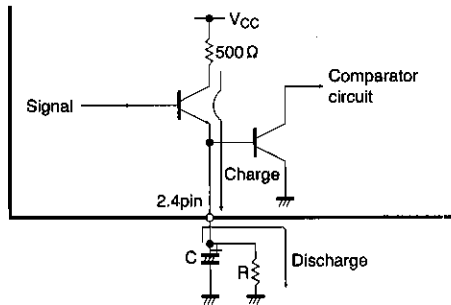


Fig. 7

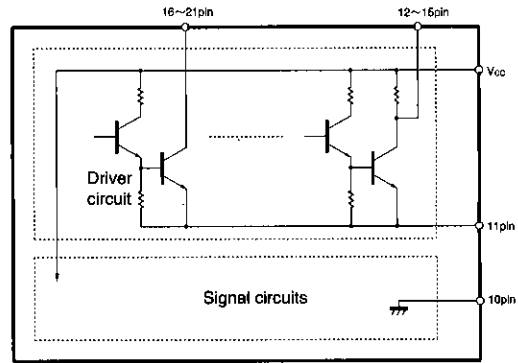


Fig. 8

(8) GND terminal (pins 10 and 11)

Pin 11 is the GND for the pin 12 to pin 21 driver circuits, and pin 10 is the GND for the other signal circuits (see Fig. 8).

Pins 10 and 11 are not connected internally, so both must be connected to GND.

The large LED current that flows from pin 11 has a large high-frequency component, so care must be taken with regard to the PCB layout to avoid faulty operation of the IC, and incorrect lighting of the LEDs due to noise.

● Operation notes

(1) Use the potentiometers VR1 and VR2 connected to pins 1 and 3 to set the 0dB levels and adjust the channel 1 and channel 2 balance.

(2) The recommended oscillator frequency is 4kHz (pin 9). The external component values for C_s and R_3 are $0.01 \mu F$ and $41k\Omega$ (or $39k\Omega$). If you wish to use other values, they should be in the ranges $0.001 \mu F$ to $0.1 \mu F$ and $10k\Omega$ to $100k\Omega$. (see Fig. 9).

(3) The dynamic ranges for the BA6820F and BA6822S/F comparators are large, and the comparators will operate even with low-level signals.

For this reason, noise may cause the LEDs to light when they should not, and to prevent this, GND line noise should be kept sufficiently low.

(4) Take care to ensure the none of the pins have a voltage applied to them that is higher than V_{CC} or lower than GND (e.g. supply the LED current from a source other than V_{CC}).

(5) In general, the level meter output block is switched on and off in the range GND to V_{CC} , and a large voltage with a large high-frequency component is generated.

Therefore, if the input and output lines are close, the output may be fed back to the input and cause oscillation, incorrect LED lighting, or faulty operation of the IC. Design the PCB artwork so that there is no coupling between the input and output lines or with other units, in the same way as for linear amplifier PCB design. If they must be physically close, insert a capacitor between the input and GND to reduce the AC input impedance, and prevent noise from entering the input.

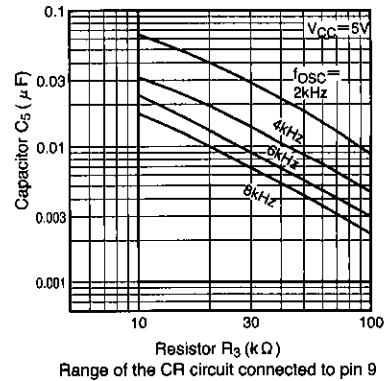


Fig. 9

●Electrical characteristic curves

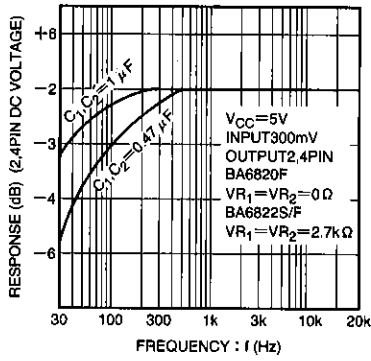


Fig. 10 Frequency characteristics

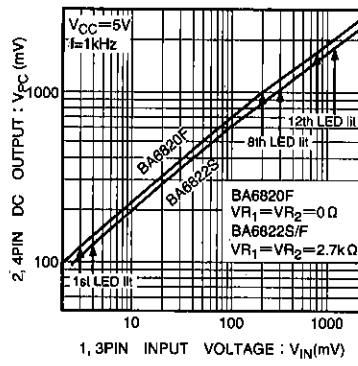


Fig. 11 Pin 2 and pin 4 DC output voltage vs. pin 1 and pin 3 AC input voltage

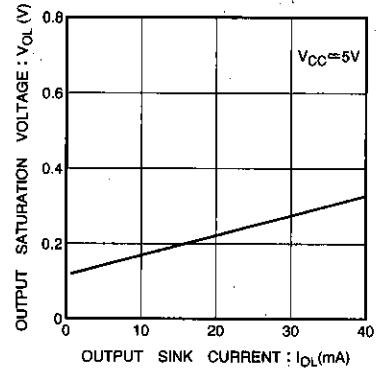


Fig. 12 Output saturation voltage vs. sink current (LED output)

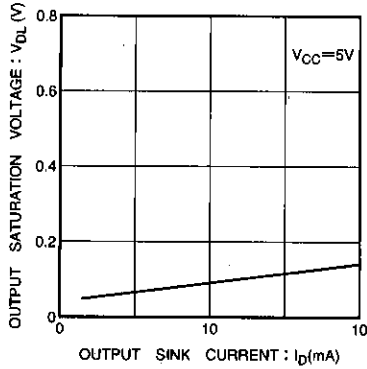
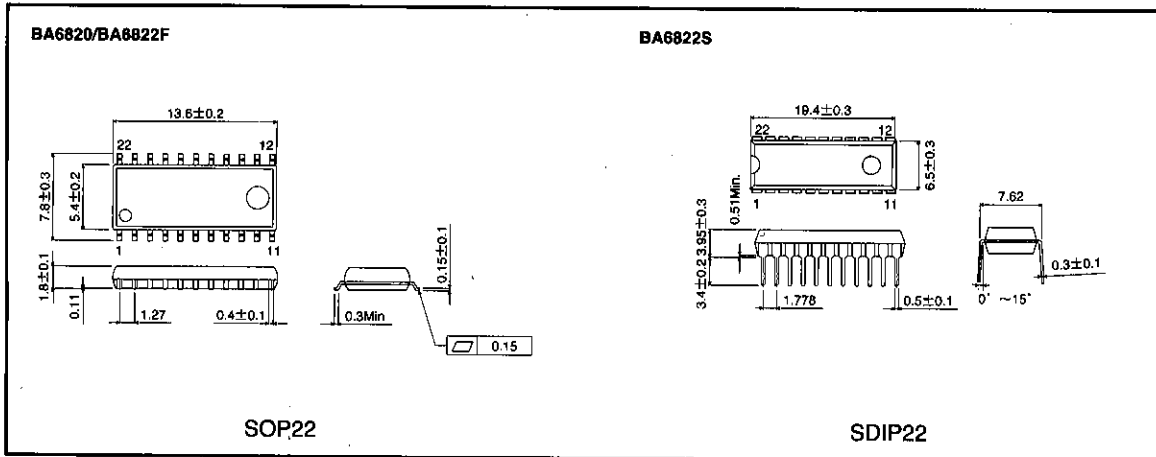


Fig. 13 Output saturation voltage vs. sink current (display switch output)

●External dimensions (Unit: mm)



Notes

- The contents described in this catalogue are correct as of March 1997.
- No unauthorized transmission or reproduction of this book, either in whole or in part, is permitted.
- The contents of this book are subject to change without notice. Always verify before use that the contents are the latest specifications. If, by any chance, a defect should arise in the equipment as a result of use without verification of the specifications, ROHM CO., LTD., can bear no responsibility whatsoever.
- Application circuit diagrams and circuit constants contained in this data book are shown as examples of standard use and operation. When designing for mass production, please pay careful attention to peripheral conditions.
- Any and all data, including, but not limited to application circuit diagrams, information, and various data, described in this catalogue are intended only as illustrations of such devices and not as the specifications for such devices. ROHM CO., LTD., disclaims any warranty that any use of such device shall be free from infringement of any third party's intellectual property rights or other proprietary rights, and further, assumes absolutely no liability in the event of any such infringement, or arising from or connected with or related to the use of such devices.
- Upon the sale of any such devices; other than for the buyer's right to use such devices itself, resell or otherwise dispose of the same; no express or implied right or license to practice or commercially exploit any intellectual property rights or other proprietary rights owned or controlled by ROHM CO., LTD., is granted to any such buyer.
- The products in this manual are manufactured with silicon as the main material.
- The products in this manual are not of radiation resistant design.

The products listed in this catalogue are designed to be used with ordinary electronic equipment or devices (such as audio-visual equipment, office-automation equipment, communications devices, electrical appliances, and electronic toys). Should you intend to use these products with equipment or devices which require an extremely high level of reliability and the malfunction of which would directly endanger human life (such as medical instruments, transportation equipment, aerospace machinery, nuclear-reactor controllers, fuel controllers, or other safety devices) please be sure to consult with our sales representatives in advance.

- Notes when exporting
 - It is essential to obtain export permission when exporting any of the above products when it falls under the category of strategic material (or labor) as determined by foreign exchange or foreign trade control laws.
 - Please be sure to consult with our sales representatives to ascertain whether any product is classified as a strategic material.