

1-channel BTL driver for CD players

BA6195FP-Y/BA6195

The BA6195FP-Y and BA6195 are ICs for CD players and have one internal BTL power driver circuit and one operational amplifier circuit with a wide output dynamic range. The wide dynamic range and internal operational amplifier make these ICs ideal for low voltage drive. The driver's internal level shift circuit reduces the number of attached components needed.

●Applications

CD players, CD-ROM drives and other optical disc devices

●Features

- 1) HSOP 25-pin power package allows for miniaturization of applications (BA6195FP-Y).
- 2) Wide dynamic range. (typically 5.4V when $V_{CC}=8V$, $R_L=8\Omega$)
- 3) Internal thermal shutdown circuit with hysteresis.
- 4) Internal level shift circuit, for a minimal number of attached components.
- 5) Internal operational amplifier with wide dynamic range.

●Absolute maximum ratings ($T_a=25^\circ\text{C}$)

Parameter	Symbol	Limits	Unit
Power supply voltage	V_{CC}	18	V
Power dissipation	BA6195FP-Y	1450*1	mW
	BA6195	1250*2	
Operating temperature	T_{opr}	-35~85	$^\circ\text{C}$
Storage temperature	T_{stg}	-55~150	$^\circ\text{C}$

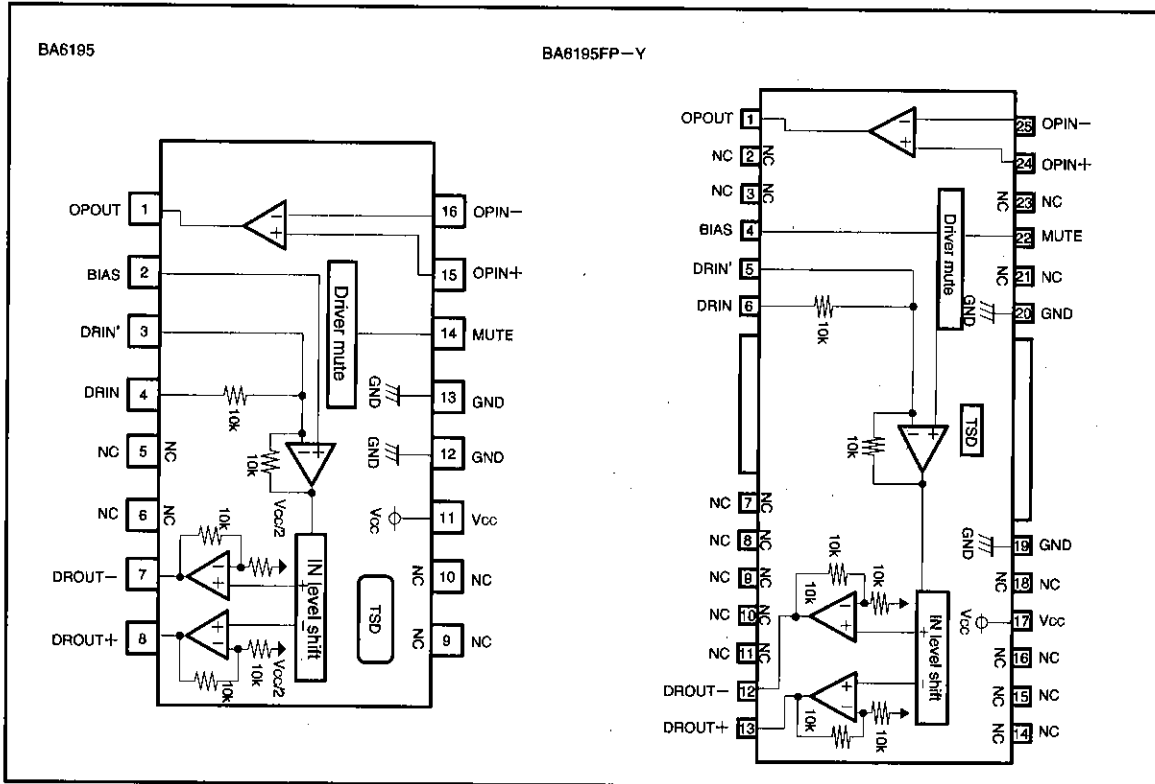
* 1 When mounted to a $50 \times 50 \times 1.0$ mm PCB board. Reduce by 11.6 mW for each increase in T_a of 1°C over 25°C .

* 2 Reduced by 10 mW for each increase in T_a of 1°C over 25°C .

●Recommended operating conditions ($T_a=25^\circ\text{C}$)

Parameter	Symbol	Min.	Typ.	Max.	Unit
Power supply voltage	V_{CC}	4.5	—	13.5	V

● Block diagram



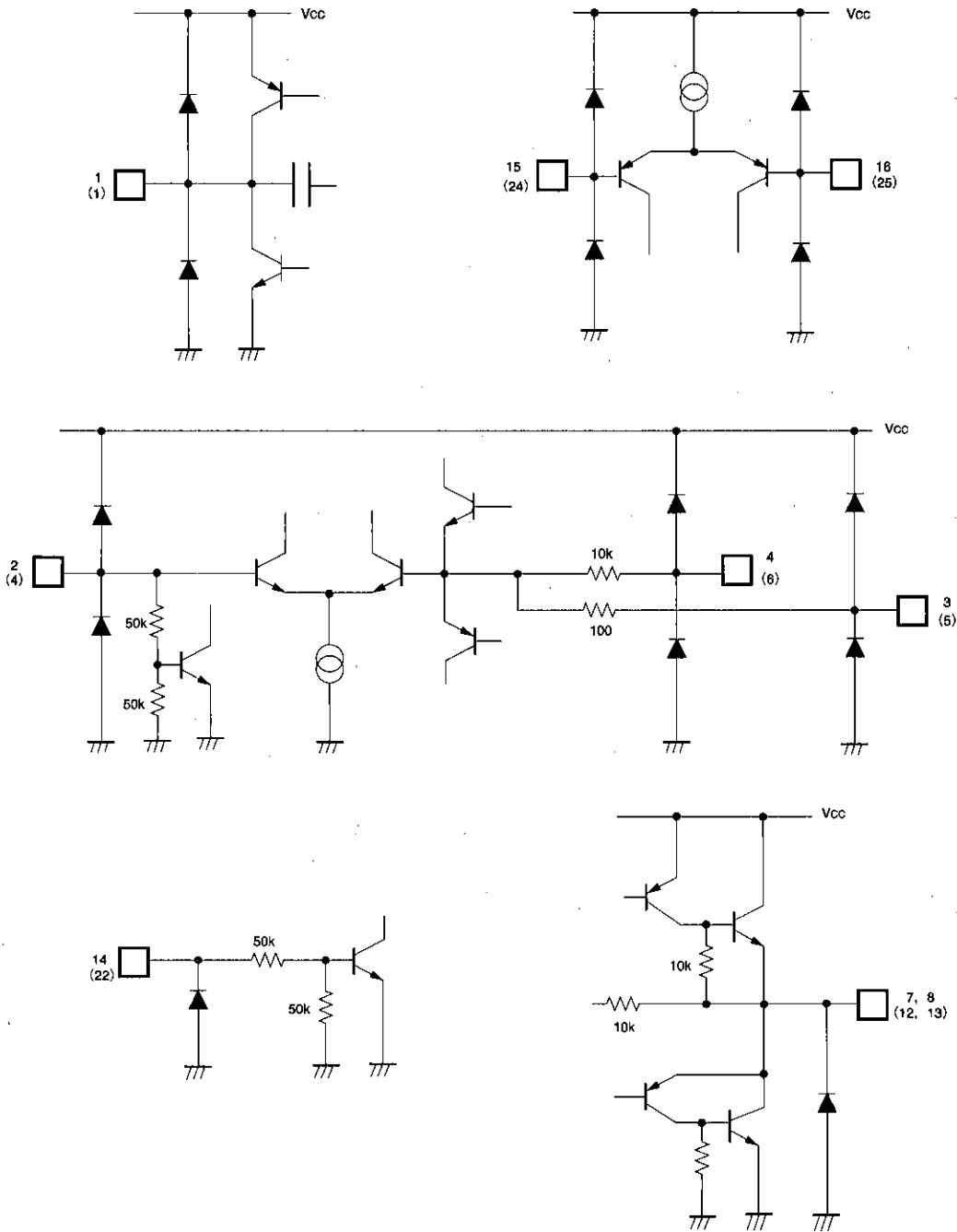
● Pin descriptions (BA6195)

Pin No.	Pin name	Function
1	OPOUT	Operational amplifier output
2	BIAS	Bias pin
3	DRIN'	Driver gain adjustment
4	DRIN	Driver gain input
5	NC	NC (not connected internally)
6	NC	NC (not connected internally)
7	DROUT-	Driver negative (relative to input) output
8	DROUT+	Driver positive (relative to input) output
9	NC	NC (not connected internally)
10	NC	NC (not connected internally)
11	Vcc	Vcc
12	GND	Substrate ground
13	GND	Substrate ground
14	MUTE	Mute
15	OPIN+	Operational amplifier noninverting input
16	OPIN-	Operational amplifier inverting input

●Pin description (BA6195FP-Y)

Pin No.	Pin name	Function
1	OPOUT	Operational amplifier output
2	NC	
3	NC	
4	BIAS	Bias
5	DRIN'	Driver gain adjustment
6	DRIN	Driver gain input
7	NC	
8	NC	
9	NC	
10	NC	
11	NC	
12	DROUT-	Driver negative (relative to input) output
13	DROUT+	Driver positive (relative to input) output
14	NC	
15	NC	
16	NC	
17	Vcc	Vcc
18	NC	
19	GND	Substrate ground
20	GND	Substrate ground
21	NC	
22	MUTE	Mute
23	NC	
24	OPIN+	Operational amplifier noninverting input
25	OPIN-	Operational amplifier inverting input

● Input/output circuits



CD/CD-ROM Drivers (1 ~ 3 channels)

For CDs/CD-ROMs

Parentheses indicate pin numbers for BA6195FP-Y

● Electrical characteristics (unless otherwise noted, $T_a=25^\circ\text{C}$, $V_{CC}=8\text{V}$, $f=1\text{kHz}$, $R_L=8\ \Omega$)

Parameter	Symbol	Min.	Typ.	Max.	Unit	Conditions	Measurement Circuit
Quiescent current	I_Q	—	6.5	9.0	mA	No load	Fig.1, 2
Output voltage, offset	V_{OO}	-40	—	40	mV	$V_{in}=\text{BIAS}=2.5\text{V}$	Fig.1, 2
Max. output amplitude	V_{OM}	5.0	5.4	—	V		Fig.1, 2
Closed loop volt. gain	G_{VC}	10.5	12.0	13.5	dB	$V_{in}=2\text{V}, 3\text{V}$ BIAS=2.5V	Fig.1, 2
Ripple rejection	RR	—	60	—	dB	$V_{in}=0.1\text{V}_{\text{rms}}$, 100Hz	Fig.1, 2
Slew rate	SR	—	2	—	$\text{V}/\mu\text{S}$	100 kHz square wave, 3 V_{P-P} output	Fig.1, 2
Mute-off voltage	V_{MOFF}	GND	—	0.5	V		Fig.1, 2
Mute-on voltage	V_{MON}	2.0	—	V_{CC}	V		Fig.1, 2
〈Operational amplifier〉							
Offset voltage	V_{OPOP}	-6	0	6	mV		Fig.1, 2
Input bias current	I_B	—	30	300	nA		Fig.1, 2
Synch. input voltage	V_{ICM}	0	—	6.8	V		Fig.1, 2
Out. voltage, H level	V_{OH}	7.1	7.8	—	V	$V_{in} = \text{GND}$, inversion amplifier conf.	Fig.1, 2
Out. voltage, L level	V_{OL}	—	0.2	0.9	V	$V_{in} = V_{CC}$, inversion amplifier conf.	Fig.1, 2
Out. drive curr. (source)	I_{OH}	1	3	—	mA	GND at 50 Ω output	Fig.1, 2
Out. drive curr. (sink)	I_{OL}	10	30	—	mA	V_{CC} at 50 Ω output	Fig.1, 2
Slew rate	SR_{OP}	—	1	—	$\text{V}/\mu\text{S}$	100 kHz square wave, 3 V_{P-P} output	Fig.1, 2
Ripple rejection	RR	—	60	—	dB	$V_{in}=0.1\text{V}_{\text{rms}}$, 100Hz	Fig.1, 2

Ⓞ Not designed for radiation resistance.

● Measurement circuit switch table

Symbol	Switch							Input							Note
	RIP	RL	VREF	DRIN	OP OUT	OP IN	NF	DRIN DC	DRIN AC	OPIN DC	OPIN AC	RIPPLE	BIAS	MUTE	
I _Q	ON	OFF	ON	A	A	OFF	A	2.5V	0V	0V	0V	0V	2.5V	2.0V	
V _{DD}	↓	ON	↓	↓	↓	↓	↓	↓	↓	↓	↓	↓	↓	↓	
V _{DM}	↓	↓	↓	↓	↓	↓	↓	Note	↓	↓	↓	↓	4V	↓	0V, 8V
G _{VC}	↓	↓	↓	↓	↓	↓	↓	Note	↓	↓	↓	↓	2.5V	↓	2V, 3V
RR	OFF	↓	↓	↓	↓	↓	↓	2.5V	↓	↓	↓	Note	↓	↓	0.1Vrms, 100Hz
SR	ON	↓	↓	B	↓	↓	↓	0V	Note	↓	↓	0V	↓	↓	100 kHz, square wave
V _{MOFF}	↓	↓	↓	↓	↓	↓	↓	↓	Note	↓	↓	↓	↓	↓	Desired sine wave
V _{MON}	↓	↓	↓	↓	↓	↓	↓	↓	Note	↓	↓	↓	↓	0.5V	Desired sine wave
(OP-AMP)															
V _{OPOP}	ON	OFF	ON	A	A	OFF	A	2.5V	0V	0V	0V	0V	2.5V	2.0V	
I _B	↓	↓	OFF	↓	↓	↓	C	↓	↓	↓	↓	↓	↓	↓	
V _{ICM}	↓	↓	ON	↓	↓	↓	A	↓	↓	↓	↓	↓	↓	↓	
V _{OH}	↓	↓	↓	↓	↓	ON	B	↓	↓	↓	↓	↓	↓	↓	
V _{OL}	↓	↓	↓	↓	↓	↓	↓	↓	↓	8V	↓	↓	↓	↓	
I _{OH}	↓	↓	↓	↓	C	OFF	A	↓	↓	0V	↓	↓	↓	↓	
I _{OL}	↓	↓	↓	↓	B	↓	↓	↓	↓	↓	↓	↓	↓	↓	
SR _{OP}	↓	↓	↓	↓	A	↓	↓	↓	↓	↓	Note	↓	↓	↓	100 kHz, square wave
RR _{OP}	OFF	↓	↓	↓	↓	↓	↓	↓	↓	↓	0V	Note	↓	↓	0.1Vrms, 100Hz

CD/CD-ROM Drivers (1~3 channels)

For CDs/CD-ROMs

● Measurement circuit

BA6195

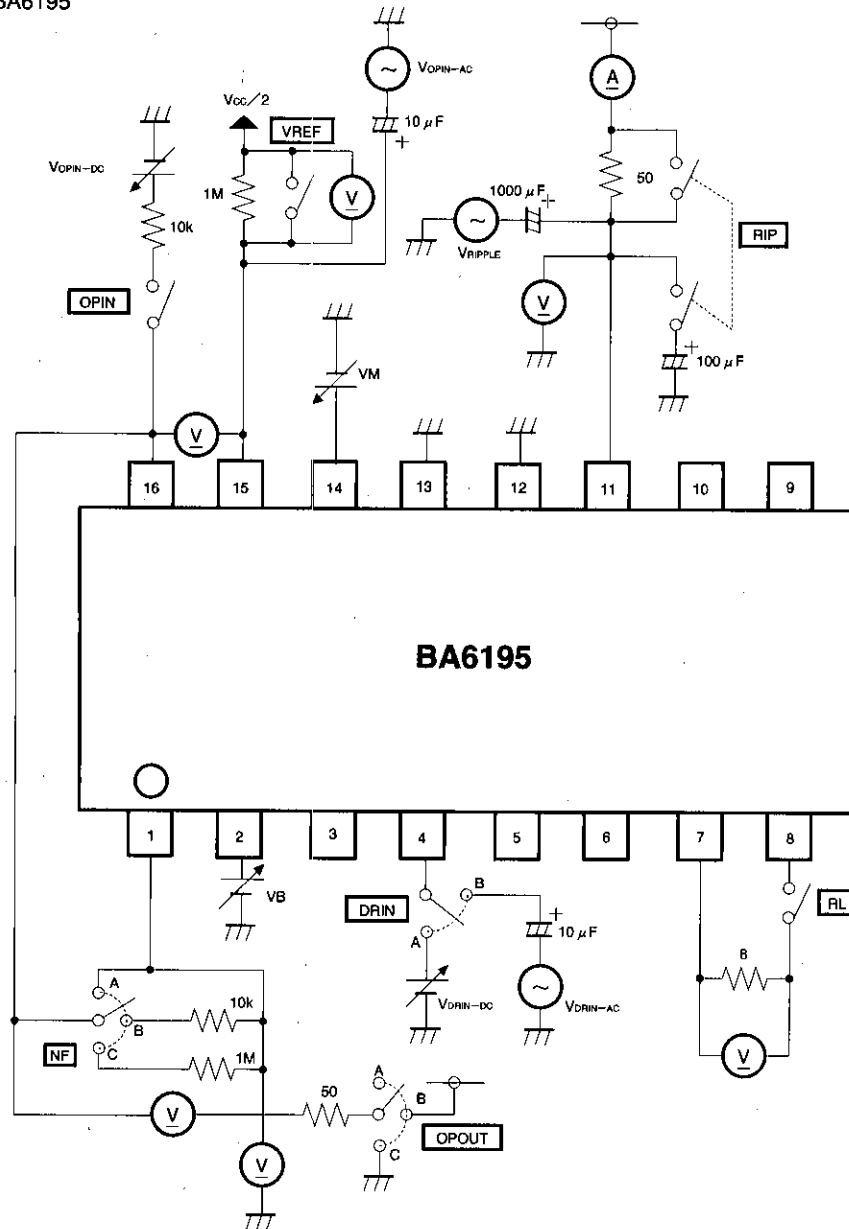


Fig. 1

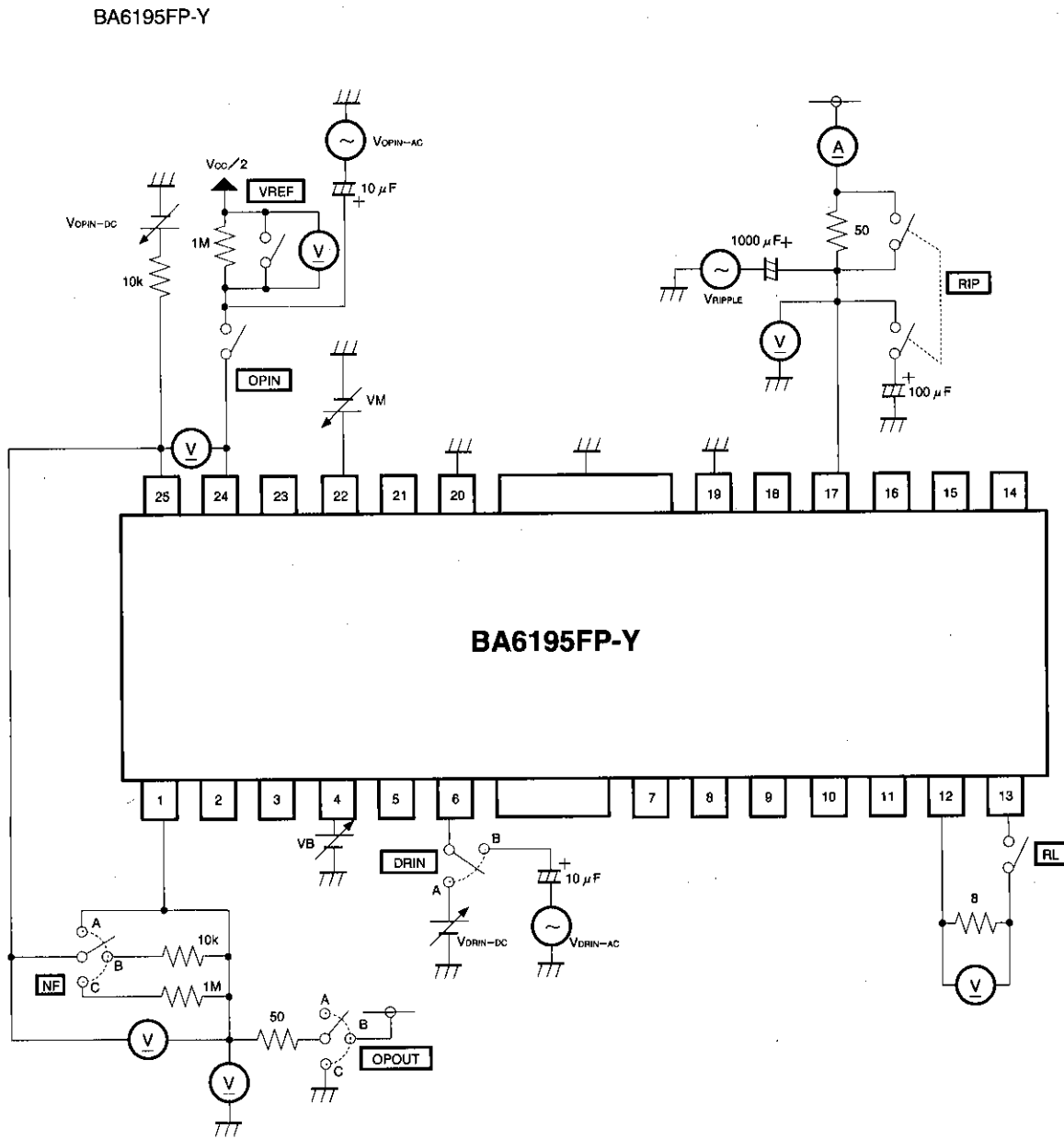


Fig. 2

●Application example

BA6195

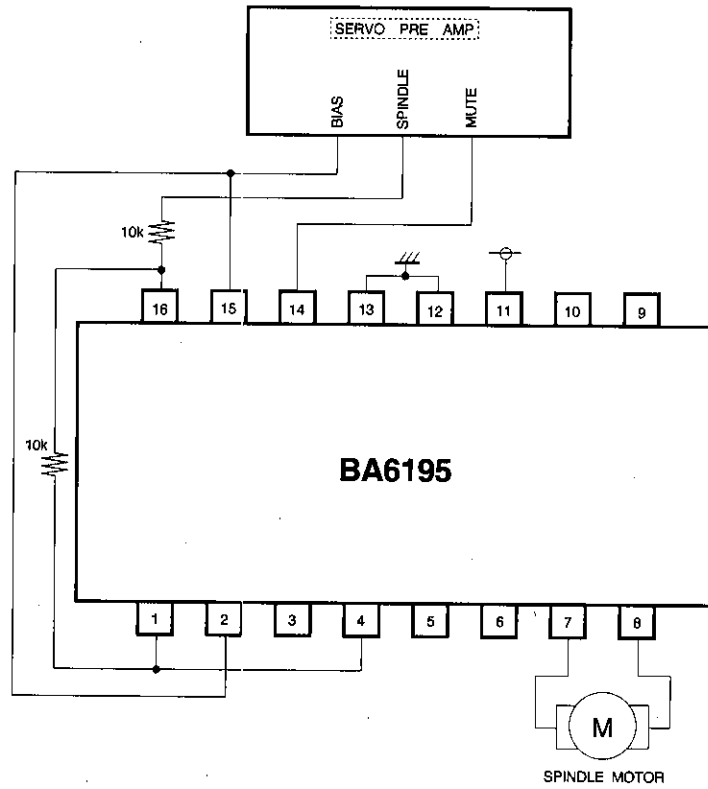


Fig. 3

BA6195FP-Y

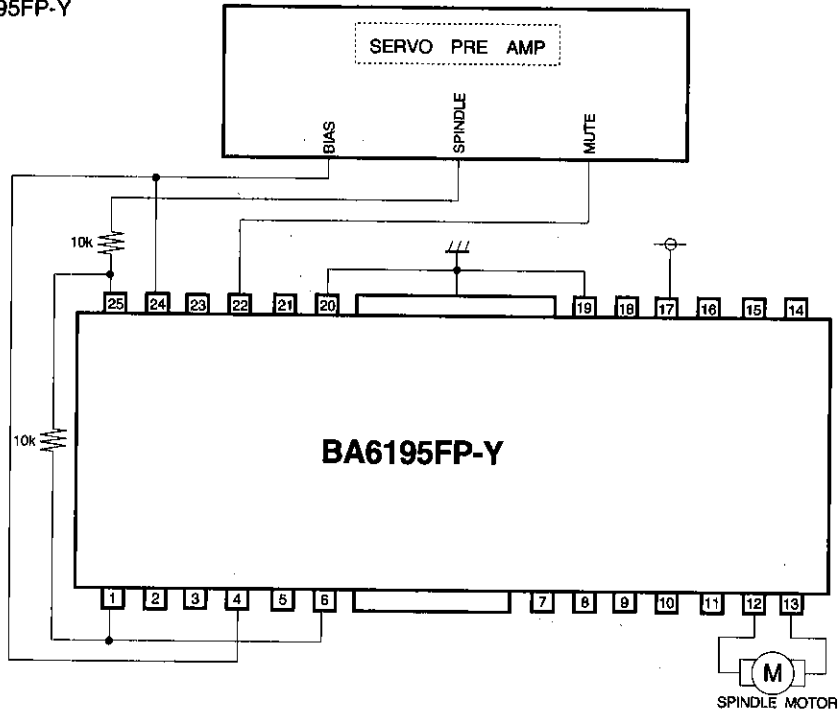


Fig. 4

CD/CD-ROM Drivers (1~3 channels)

For CDs/CD-ROMs

● Operation notes

1. The thermal shutdown circuit mutes the output current when the chip temperature rises above 175°C (typically). Hysteresis width is set at 25°C (typically), and muting is canceled when the chip temperature drops below 150°C.
2. The output current can be muted by raising the external mute pin above 2.0V. Pin 14 should be pulled down below 0.5V during normal operation.
3. Muting occurs during thermal shutdown and external muting. In each case, only the drivers are muted. During muting, the output pins remain at the internal bias voltage, roughly ($V_{CC}/2$).
4. Connect the IC to a 0.1 μ F bypass capacitor to the power supply, at the base of the IC.
5. Connect the radiating fin to an external ground (BA6195FP-Y).

● Electrical characteristic curve

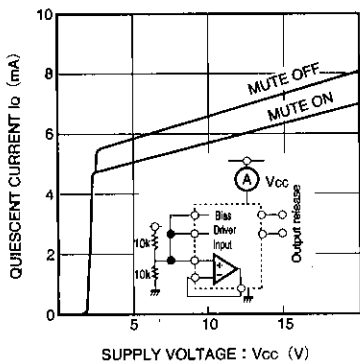


Fig. 5 Supply voltage vs. quiescent current

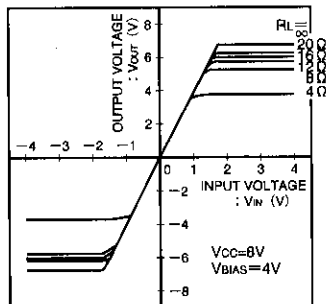


Fig. 6 I/O characteristics (variable load)

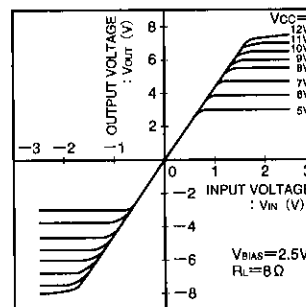


Fig. 7 I/O characteristics (variable supply voltage)

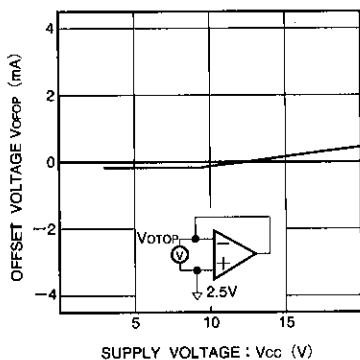


Fig. 8 Supply voltage vs. input offset voltage

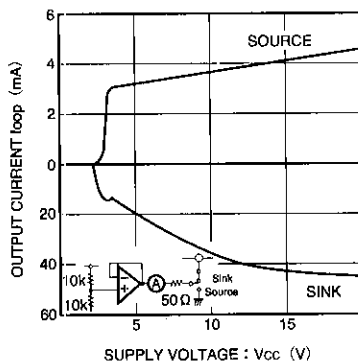


Fig. 9 Supply voltage vs. operational amplifier output drive current

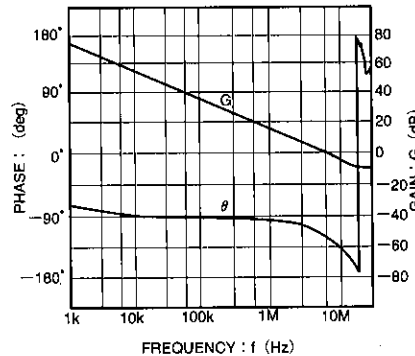
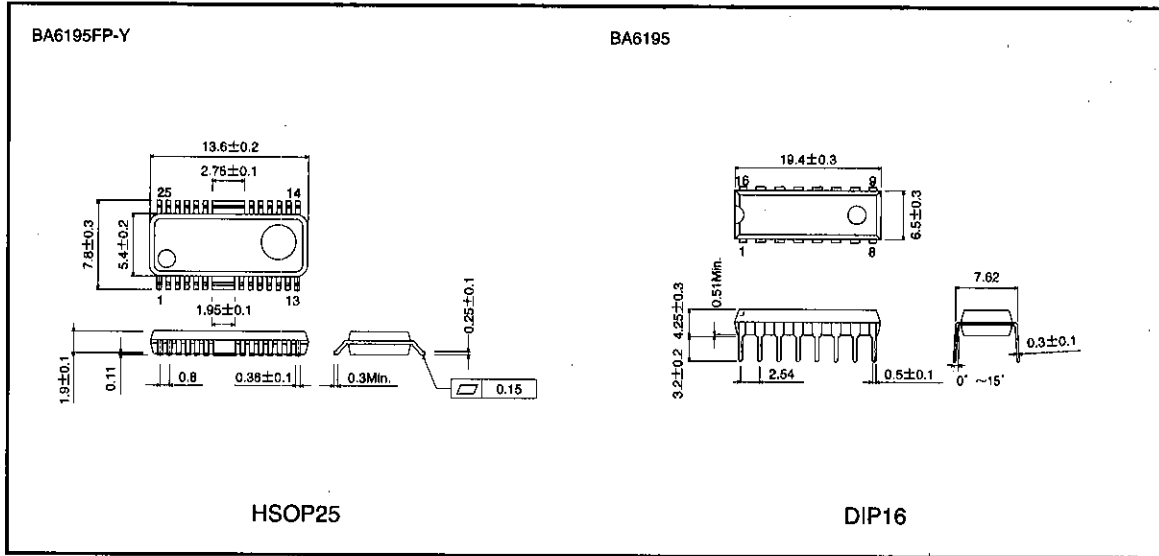


Fig. 10 Operational amplifier vs. open loop characteristics

●External dimensions (Units: mm)



CD/CD-ROM Drivers (1~3 channels)

For CDs/CD-ROMs

Notes

- The contents described in this catalogue are correct as of March 1997.
- No unauthorized transmission or reproduction of this book, either in whole or in part, is permitted.
- The contents of this book are subject to change without notice. Always verify before use that the contents are the latest specifications. If, by any chance, a defect should arise in the equipment as a result of use without verification of the specifications, ROHM CO., LTD., can bear no responsibility whatsoever.
- Application circuit diagrams and circuit constants contained in this data book are shown as examples of standard use and operation. When designing for mass production, please pay careful attention to peripheral conditions.
- Any and all data, including, but not limited to application circuit diagrams, information, and various data, described in this catalogue are intended only as illustrations of such devices and not as the specifications for such devices. ROHM CO., LTD., disclaims any warranty that any use of such device shall be free from infringement of any third party's intellectual property rights or other proprietary rights, and further, assumes absolutely no liability in the event of any such infringement, or arising from or connected with or related to the use of such devices.
- Upon the sale of any such devices; other than for the buyer's right to use such devices itself, resell or otherwise dispose of the same; no express or implied right or license to practice or commercially exploit any intellectual property rights or other proprietary rights owned or controlled by ROHM CO., LTD., is granted to any such buyer.
- The products in this manual are manufactured with silicon as the main material.
- The products in this manual are not of radiation resistant design.

The products listed in this catalogue are designed to be used with ordinary electronic equipment or devices (such as audio-visual equipment, office-automation equipment, communications devices, electrical appliances, and electronic toys). Should you intend to use these products with equipment or devices which require an extremely high level of reliability and the malfunction of which would directly endanger human life (such as medical instruments, transportation equipment, aerospace machinery, nuclear-reactor controllers, fuel controllers, or other safety devices) please be sure to consult with our sales representatives in advance.

- Notes when exporting
 - It is essential to obtain export permission when exporting any of the above products when it falls under the category of strategic material (or labor) as determined by foreign exchange or foreign trade control laws.
 - Please be sure to consult with our sales representatives to ascertain whether any product is classified as a strategic material.