

FM IF detector for cordless telephones

BA4116FV

The BA4116FV is an IC with an internal mixing circuit, IF circuit, wave detection circuit, RSSI circuit, and noise detection circuit. Because it can operate at low voltages, it is ideal for use in cordless telephones.

●Applications

Cordless telephones, amateur short wave radios, and other portable wireless equipment

●Features

- 1) Input frequencies of 10MHz to 150MHz can be accommodated.
- 2) Low-voltage operation. (1.8 to 5.5V)
- 3) Excellent temperature characteristic.
- 4) High sensitivity; 12dB SINAD sensitivity = $8\text{dB } \mu\text{VEMF (50 } \Omega)$
- 5) High intercept point. (-11dBm)
- 6) Small package used. (0.65mm pitch)

●Absolute maximum ratings (Ta=25°C)

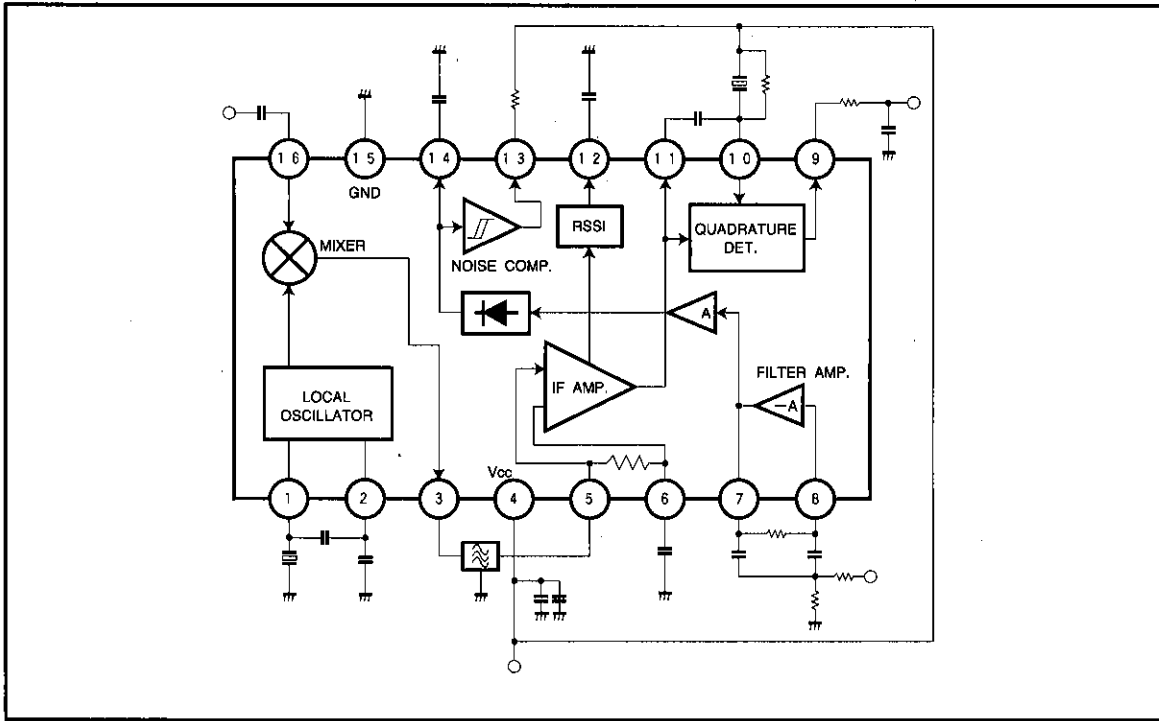
| Parameter | Symbol | Limits | Unit |
|-----------------------|------------------|---------|------|
| Power supply voltage | V _{cc} | 7.0 | V |
| Power dissipation | P _d | 350* | mW |
| Operating temperature | T _{opr} | -30~85 | °C |
| Storage temperature | T _{stg} | -55~125 | °C |

* Reduced by 3.5mW for each increase in Ta of 1°C over 25°C.

●Recommended operating conditions (Ta=25°C)

| Parameter | Symbol | Min. | Typ. | Max. | Unit |
|----------------------|-----------------|------|------|------|------|
| Power supply voltage | V _{cc} | 1.8 | 2.0 | 5.5 | V |

● Block diagram



Cellular phones/PHS/Pagers IFs for radio communications

● Pin descriptions

| Pin No. | Function | Internal peripheral circuit | Pin voltage with no signal (V) |
|---------|---|-----------------------------|--------------------------------|
| 1 | Local oscillation pin (base) Connect crystal resonator and capacitor | | V _{cc} |
| 2 | Local oscillation pin (emitter) Connect capacitor or inject from external oscillator | | V _{cc} -0.75 |
| 3 | Mixer output pin Connect ceramic filter; output impedance is approximately 1.8 kΩ | | V _{cc} -1.33 |
| 4 | V _{cc} pin | — | V _{cc} |

● Pin descriptions

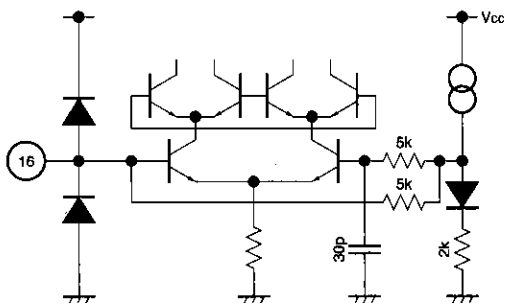
| Pin No. | Function | Internal peripheral circuit | Pin voltage with no signal (V) |
|---------|--|-----------------------------|--------------------------------|
| 5 | IF amplifier input pin Connect ceramic filter; input impedance is approximately 1.8 kΩ | | $V_{cc} - 0.33$ |
| 6 | IF amplifier bypass pin Connect capacitor | | $V_{cc} - 0.33$ |
| 7 | Filter amplifier output pin Connect constant such as BPF | | 0.70 |
| 8 | Filter amplifier input pin Connect constant such as BPF | | 0.70 |
| 9 | Audio demodulation output pin Connect to noise amplifier or similar device; output impedance is approximately 360 Ω | | 0.86 |
| 10 | Discriminator pin Connect phase-shifting coil or ceramic discriminator | | V_{cc} |

IFs for radio communications

Cellular phones/PHS/Pagers

| Pin No. | Function | Internal peripheral circuit | Pin voltage with no signal (V) |
|---------|--|-----------------------------|--------------------------------|
| 11 | IF amplifier output pin Connect to phase-shifting capacitor | | $V_{cc} - 0.95$ |
| 12 | RSSI output pin Connect to capacitor | | 0.4 |
| 13 | Noise judgment output pin Connect to load resistance | | 0 |
| 14 | Noise detection (rectification) pin Connect to capacitor | | 0 |
| 15 | GND pin | | 0 |

● Pin descriptions

| Pin No. | Function | Internal peripheral circuit | Pin voltage with no signal (V) |
|---------|---|--|--------------------------------|
| 16 | Mixer input pin Connect 1st IF signal from DC cut; input impedance is approximately 5 kΩ |  | 0.95 |

● Electrical characteristics (Unless otherwise noted, Ta=25°C, Vcc=2.0V, fin (MIX)=21.7MHz, fin (IF)=450kHz, Δf=±1.5kHzdev, fm=1kHz, all AC levels open (EMF) display)

| Parameter | Symbol | Min. | Typ. | Max. | Unit | Conditions | Measurement Circuit | |
|----------------------------------|-------------------|------|------|------|-------|--|---------------------|-------|
| Quiescent current | Iq | 2.1 | 3.0 | 4.2 | mA | No input | Fig.1 | |
| Mixer unit | | | | | | | | |
| Conversion gain | Gvc | 15 | 18 | 21 | dB | Tested after ceramic filter(-3 dB loss) | Fig.1 | |
| Intercept point | Ip | - | -11 | - | dBm | | - | |
| Input impedance | RIN | - | 5.5 | - | kΩ | | - | |
| | CIN | - | 4.6 | - | pF | | - | |
| Output impedance | Ro | 1.2 | 1.8 | 2.4 | kΩ | | - | |
| 12 dB SINAD sensitivity | S | - | 8 | - | dB μV | | - | |
| IF detector unit | | | | | | | | |
| Audio demodulation output | Vo | 79 | 100 | 126 | mVrms | VIN (IF) =80dB μV | Fig.1 | |
| Signal-to-noise ratio | S/N | 43 | 63 | - | dB | VIN (IF) =80dB μV | Fig.1 | |
| AM suppression ratio | AMR | - | 40 | - | dB | VIN (IF) =80dB μV, AM=30% | Fig.1 | |
| Input resistance | RIN | 1.2 | 1.8 | 2.4 | kΩ | | - | |
| RSSI output voltage | VRSS1 | 0.7 | 1.0 | 1.45 | V | Vcc=3V | VIN (IF) =50dB μV | Fig.1 |
| | VRSS2 | 1.6 | 2.3 | 2.9 | V | | VIN (IF) =100dB μV | Fig.1 |
| Noise detector unit | | | | | | | | |
| Output voltage | VNDT | - | 0.1 | 0.5 | V | VNREC=0.2V, ISINK=0.2mA | Fig.1 | |
| Output leakage current | I _{LEAK} | - | 0 | 5 | μA | VNREC=0.7V, VNDT=2V | Fig.1 | |
| "H" noise detection level | VTH-H | 0.5 | 0.6 | 0.7 | V | Pin 14 voltage so that VNDT ≤ 0.5 V | Fig.1 | |
| "L" noise detection level | VTH-L | 0.3 | 0.4 | 0.5 | V | Pin 14 voltage so that ISINK ≤ 5 μA | Fig.1 | |
| Noise detection hysteresis width | Hys | 2.0 | 3.5 | 5.0 | dB | Hysteresis width between VTH-H and VTH-L above | Fig.1 | |

IFs for radio communications

Cellular phones/PHS/Pagers

● Measurement circuit

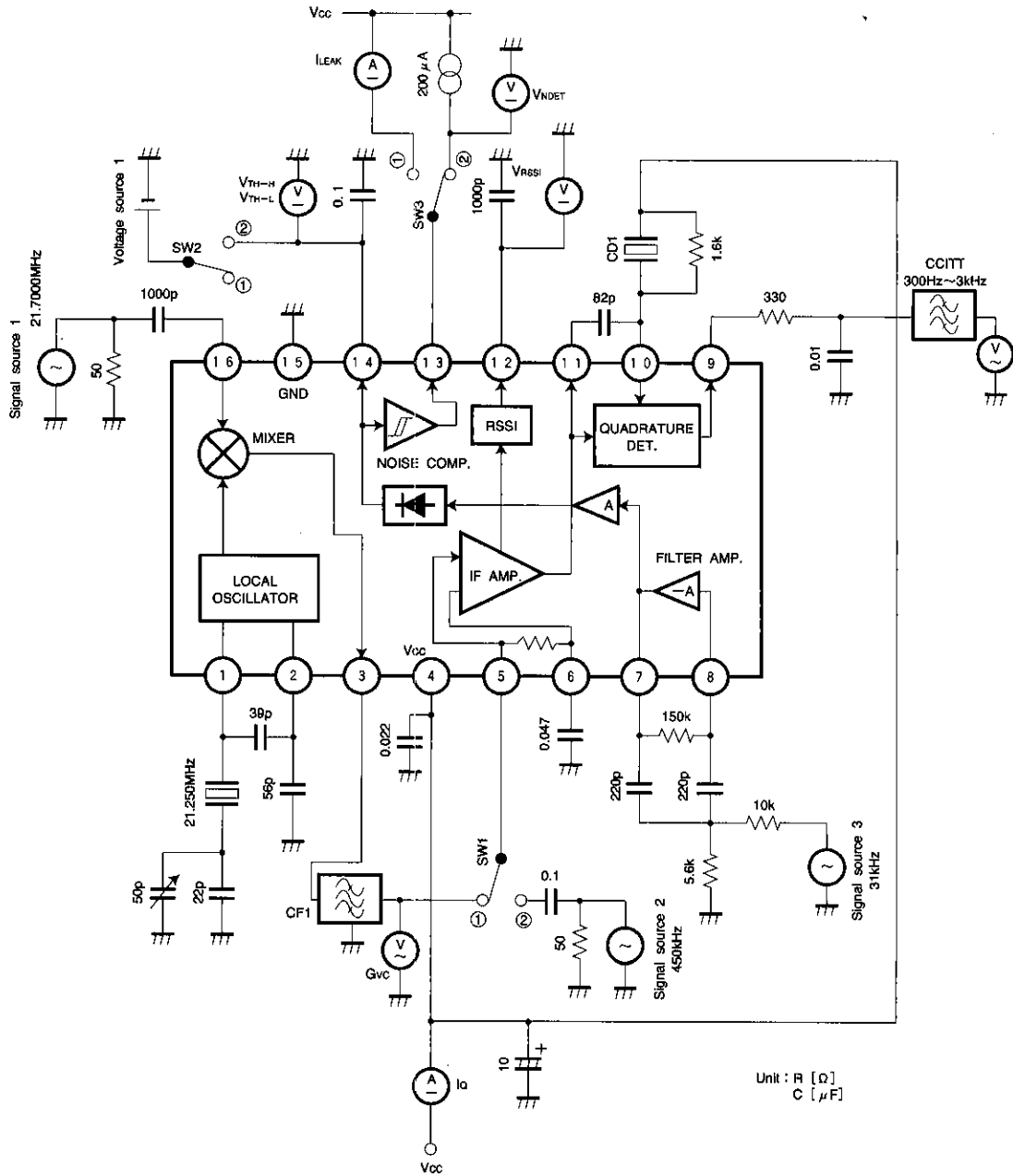


Fig. 1

●Application example

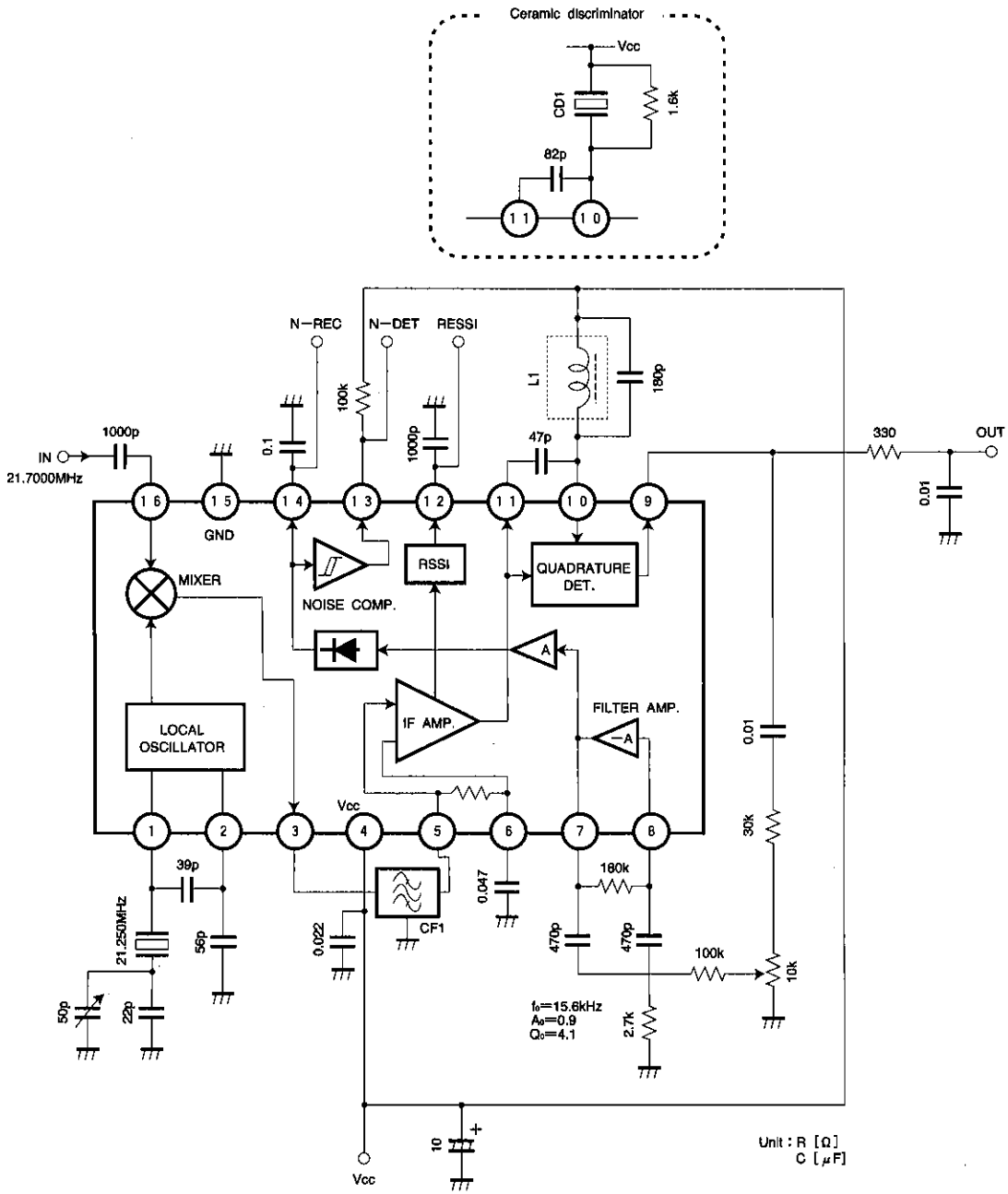
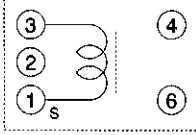


Fig. 2

IFs for radio communications

Cellular phones/PHS/Pagers

●Description of external components

| Part No. | Part Name | Prod. No./Mfg. | Notes |
|----------|-----------------------|-------------------|--|
| CF1 | Ceramic filter | Murata: CFWM450G | 6 dB band width = ±4.5 kHz min. Attenuation band width = ± 10 kHz max. Guaranteed attenuation = 35 dB min. Input loss = 6 dB max. |
| CD1 | Ceramic discriminator | Murata: CDB450C24 | |
| L1 | Wave detection coil | Toko: 5PNR-2876Z |  <p>1-3 190T Wire type: 0.045φ, 3UEW</p> <p>L variable range = ±4 % Q at no load = 20 min.</p> |

●Determining the filter amplifier constant (multi-layer recovery band pass filter)

f_0 : Center frequency
 Q : Center frequency f_0 /band width BW
 A_0 : I/O gain

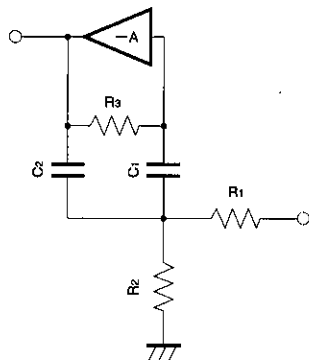


Fig. 3

The reference resistance R_0 is determined as $C_1 = C_2 = C_0$.

$$R_0 = 1 / 2 \pi f_0 \cdot C_0$$

$$R_1 = R_0 \cdot Q / A_0$$

$$R_2 = R_0 / [2Q - (A_0 / Q)]$$

$$R_3 = 2R_0 \cdot Q$$

The I/O gain can be adjusted by varying R_1 , but with the $A_0 > 1$ design, please be aware that influence from the open loop characteristic of the amplifier causes off-set in the center frequency f_0 .

●Electrical characteristic curves

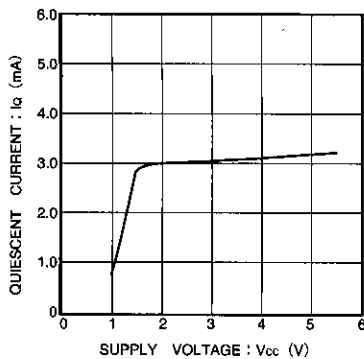


Fig. 4 Quiescent current vs. supply voltage characteristic.

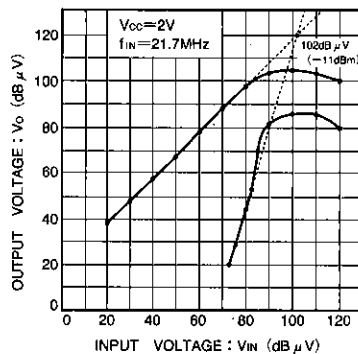


Fig. 5 Mixer output voltage vs. input voltage characteristic

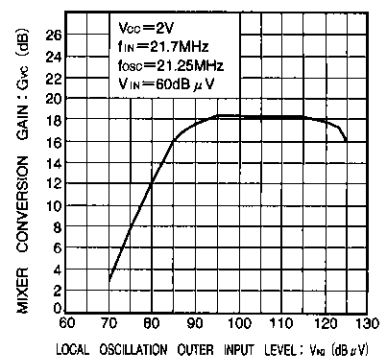


Fig. 6 Mixer conversion gain vs. Pin 2 OSC injection level characteristic

● Electrical characteristics curves

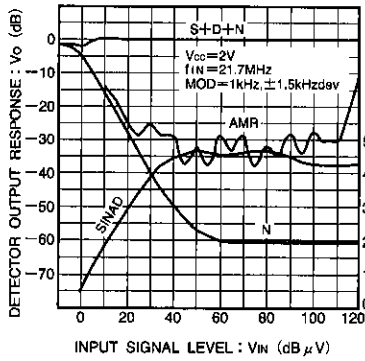


Fig. 7 Detector output response, AMR, INAD vs. input signal level characteristic

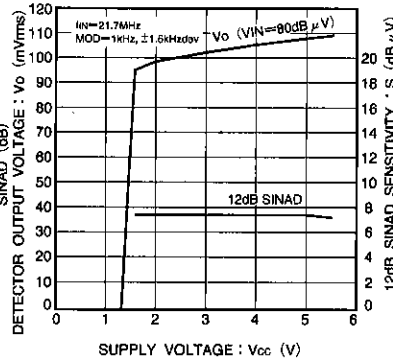


Fig. 8 Detector output voltage, 12 dB SINAD sensitivity vs. power supply voltage characteristic

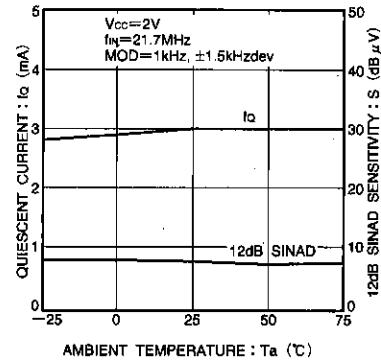


Fig. 9 Quiescent current, 12 dB SINAD sensitivity vs. ambient temperature characteristic

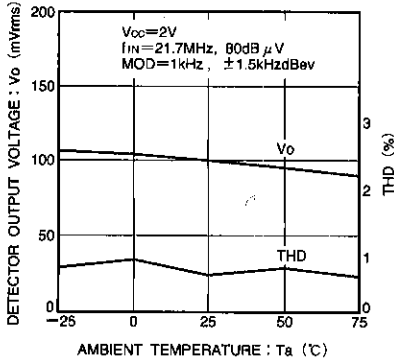


Fig. 10 Detector output level, THD vs. ambient temperature characteristic

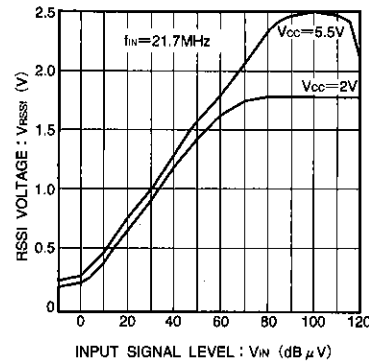


Fig. 11 RSSI voltage vs. input signal level characteristic

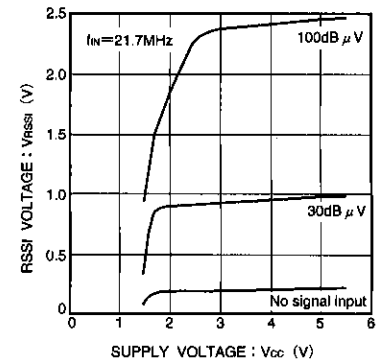


Fig. 12 RSSI voltage vs. supply voltage characteristic

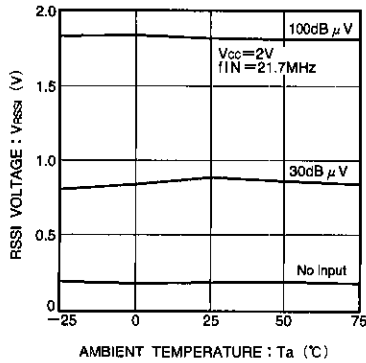


Fig. 13 RSSI voltage vs. ambient temperature characteristic

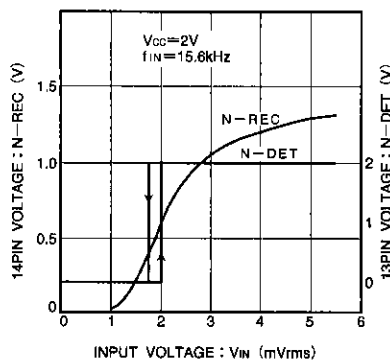


Fig. 14 Pin 13 voltage, Pin 14 voltage vs. noise amplifier input voltage characteristic

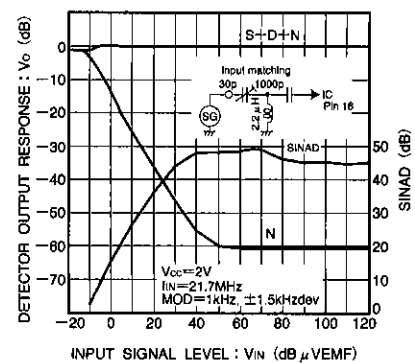
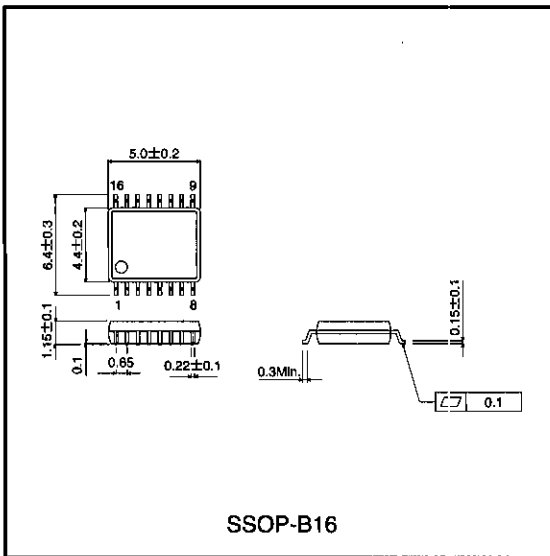


Fig. 15 Detector output response, SINAD vs. input signal level characteristic

IFs for radio communications

Cellular phones / PHS / Pagers

● External dimensions (Units: mm)



Notes

- The contents described in this catalogue are correct as of March 1997.
- No unauthorized transmission or reproduction of this book, either in whole or in part, is permitted.
- The contents of this book are subject to change without notice. Always verify before use that the contents are the latest specifications. If, by any chance, a defect should arise in the equipment as a result of use without verification of the specifications, ROHM CO., LTD., can bear no responsibility whatsoever.
- Application circuit diagrams and circuit constants contained in this data book are shown as examples of standard use and operation. When designing for mass production, please pay careful attention to peripheral conditions.
- Any and all data, including, but not limited to application circuit diagrams, information, and various data, described in this catalogue are intended only as illustrations of such devices and not as the specifications for such devices. ROHM CO., LTD., disclaims any warranty that any use of such device shall be free from infringement of any third party's intellectual property rights or other proprietary rights, and further, assumes absolutely no liability in the event of any such infringement, or arising from or connected with or related to the use of such devices.
- Upon the sale of any such devices; other than for the buyer's right to use such devices itself, resell or otherwise dispose of the same; no express or implied right or license to practice or commercially exploit any intellectual property rights or other proprietary rights owned or controlled by ROHM CO., LTD., is granted to any such buyer.
- The products in this manual are manufactured with silicon as the main material.
- The products in this manual are not of radiation resistant design.

The products listed in this catalogue are designed to be used with ordinary electronic equipment or devices (such as audio-visual equipment, office-automation equipment, communications devices, electrical appliances, and electronic toys). Should you intend to use these products with equipment or devices which require an extremely high level of reliability and the malfunction of which would directly endanger human life (such as medical instruments, transportation equipment, aerospace machinery, nuclear-reactor controllers, fuel controllers, or other safety devices) please be sure to consult with our sales representatives in advance.

- Notes when exporting
 - It is essential to obtain export permission when exporting any of the above products when it falls under the category of strategic material (or labor) as determined by foreign exchange or foreign trade control laws.
 - Please be sure to consult with our sales representatives to ascertain whether any product is classified as a strategic material.